



US00D791553S

(12) **United States Design Patent**
Zou

(10) **Patent No.:** **US D791,553 S**
(45) **Date of Patent:** **** Jul. 11, 2017**

(54) **ICE PICK**

(71) Applicant: **Zhuo-Wei Zou**, New Taipei (TW)

(72) Inventor: **Zhuo-Wei Zou**, New Taipei (TW)

(**) Term: **15 Years**

(21) Appl. No.: **29/547,342**

(22) Filed: **Dec. 3, 2015**

(30) **Foreign Application Priority Data**

Jun. 26, 2015 (TW) 104303462

(51) **LOC (10) Cl.** **07-04**

(52) **U.S. Cl.**
USPC **D7/671**

(58) **Field of Classification Search**
USPC D3/220, 228, 230; D7/671; D21/196;
224/232

CPC F25C 1/00

See application file for complete search history.

(56) **References Cited**

U.S. PATENT DOCUMENTS

D366,563 S * 1/1996 Mumley D3/220

* cited by examiner

Primary Examiner — Susan Bennett Hattan

Assistant Examiner — S. Bryan Reinholdt, Jr.

(74) *Attorney, Agent, or Firm* — Rosenberg, Klein & Lee

(57) **CLAIM**

The ornamental design for an ice pick, as shown.

DESCRIPTION

FIG. 1 is a perspective view of an ice pick showing my new design;

FIG. 2 is a front elevational view thereof;

FIG. 3 is a rear elevational view thereof;

FIG. 4 is a left side elevational view thereof;

FIG. 5 is a right side elevational view thereof;

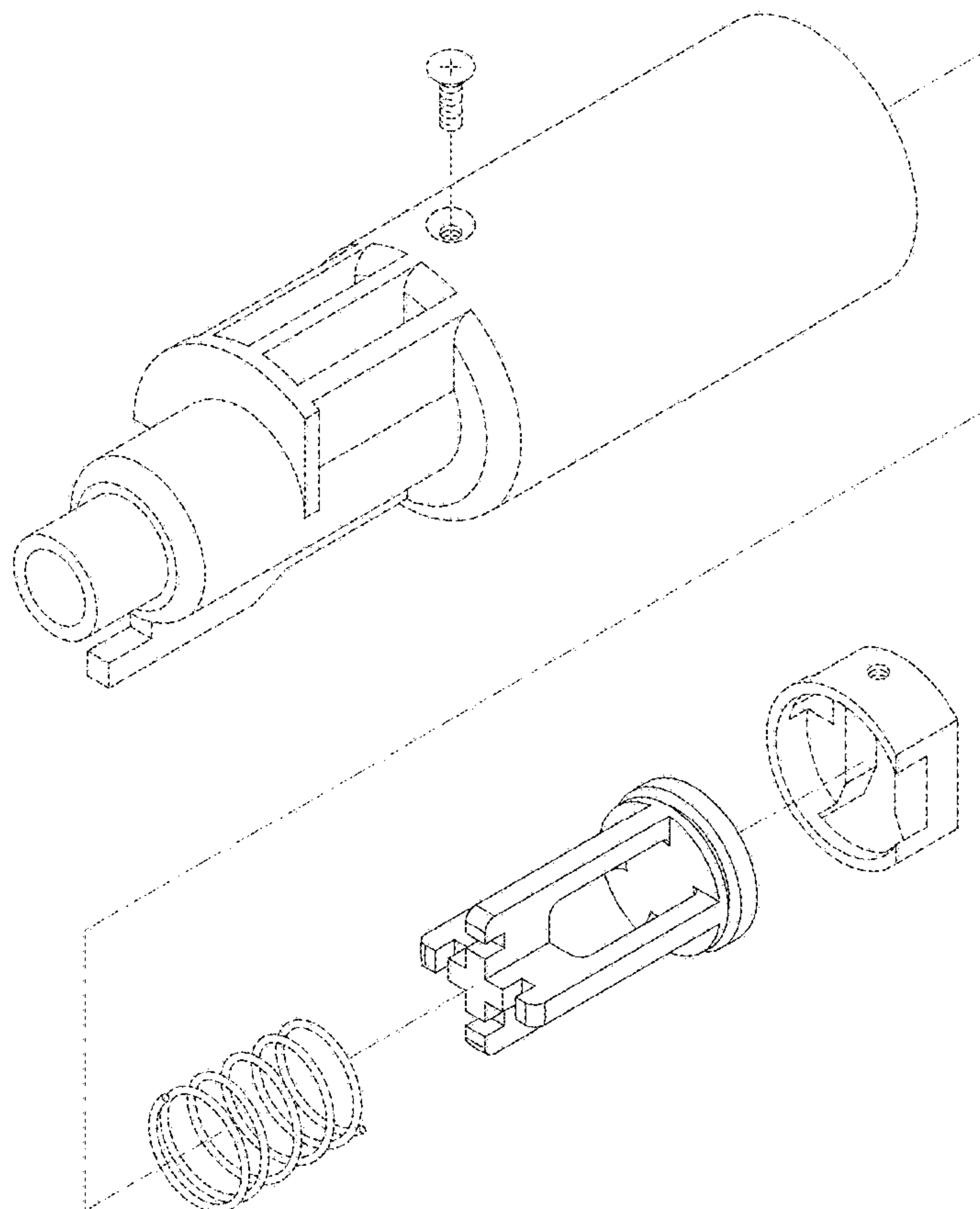
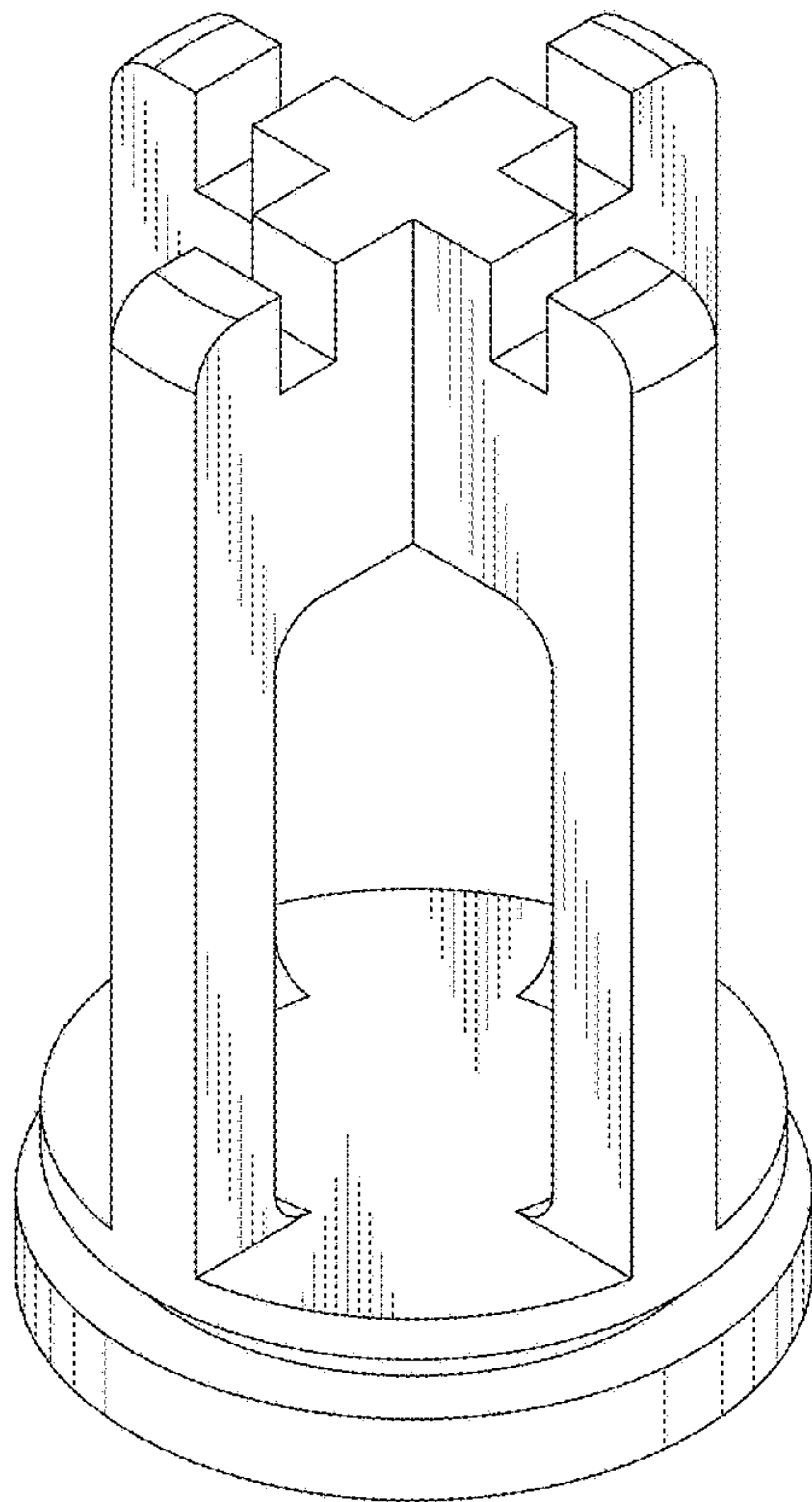
FIG. 6 is a top plan view thereof;

FIG. 7 is a bottom plan view thereof; and,

FIG. 8 is a view showing the application view of my new design thereof.

The broken lines in the drawings depict environmental subject matter only and form no part of the claimed design.

1 Claim, 7 Drawing Sheets



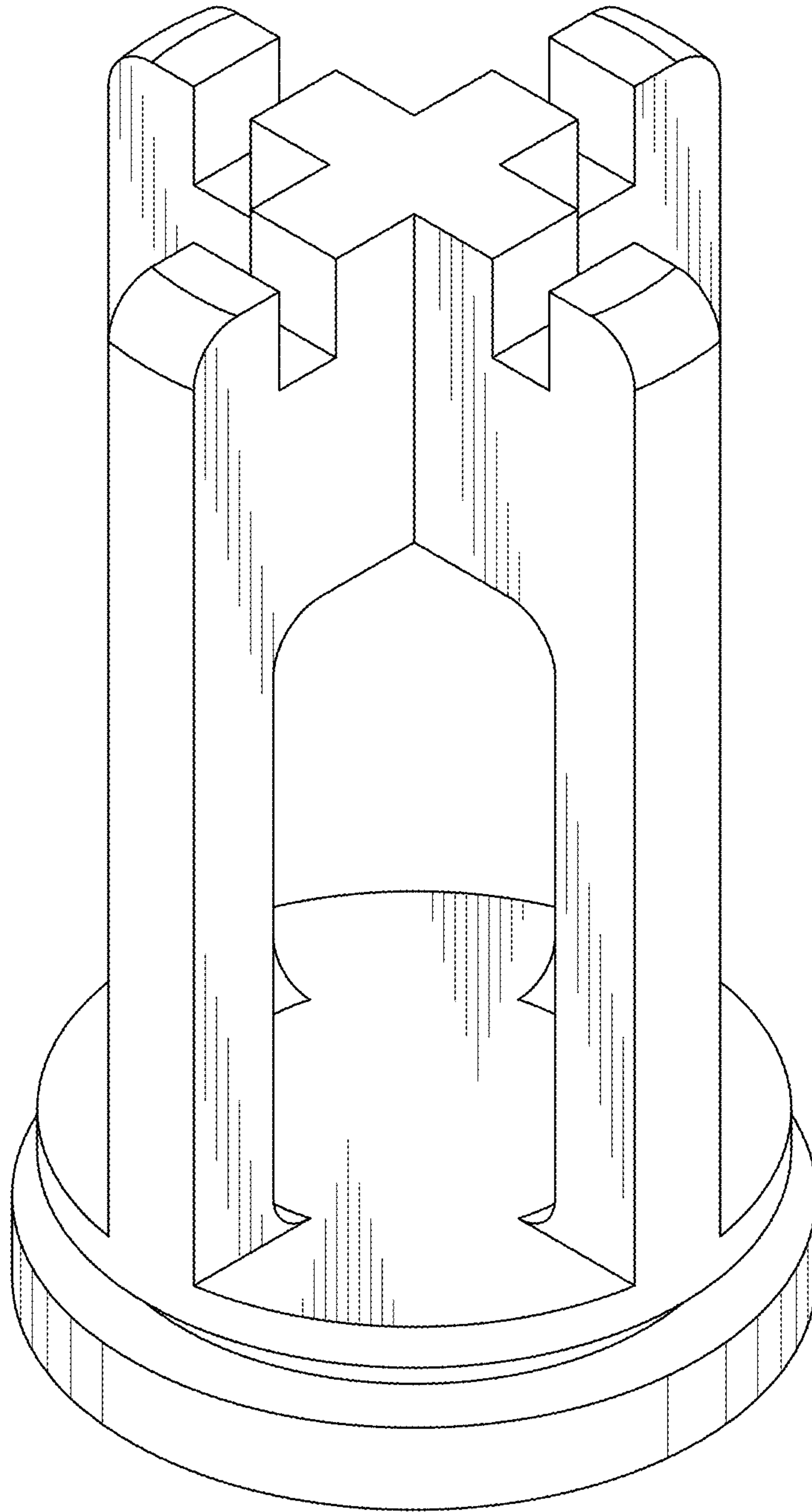


FIG.1

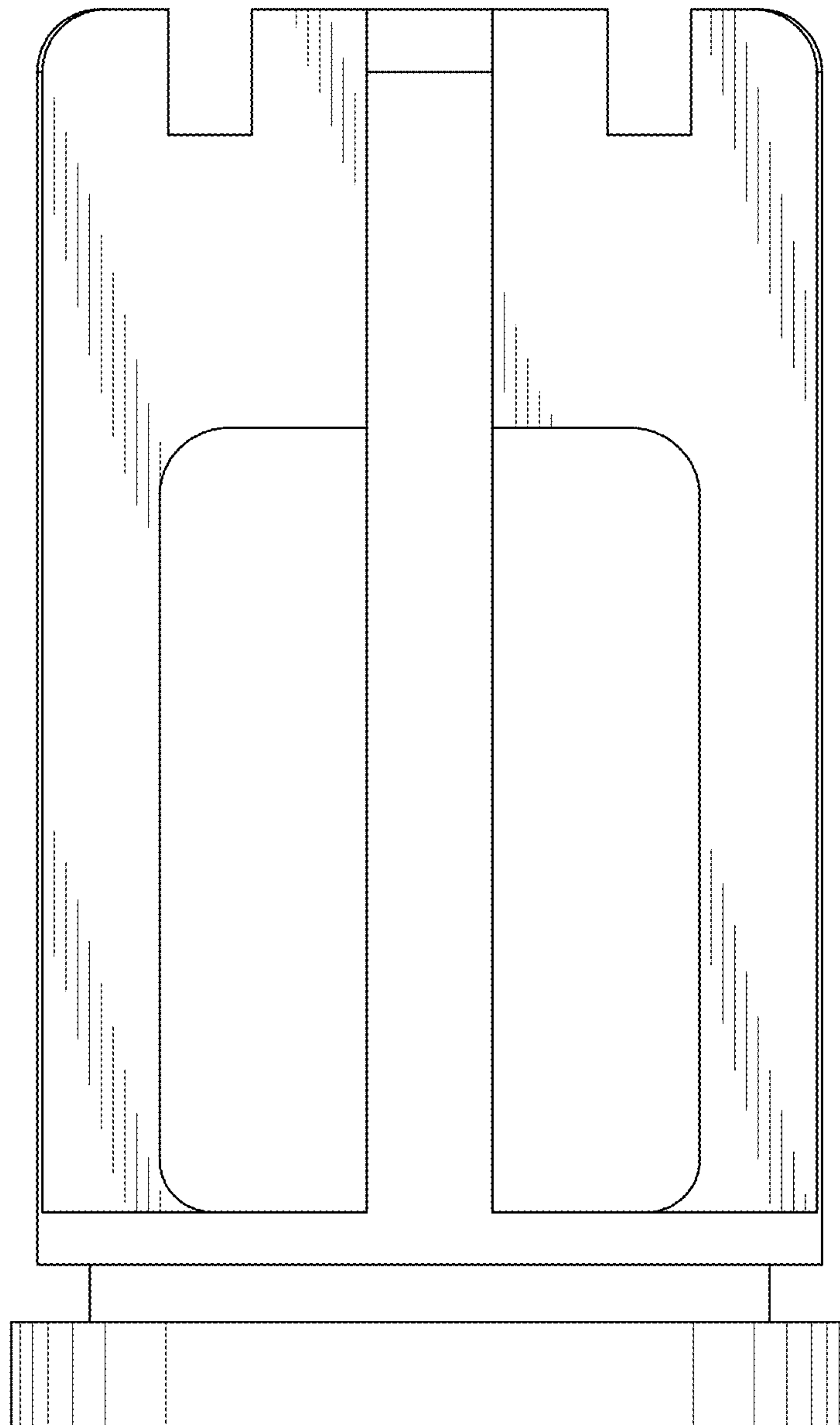


FIG.2

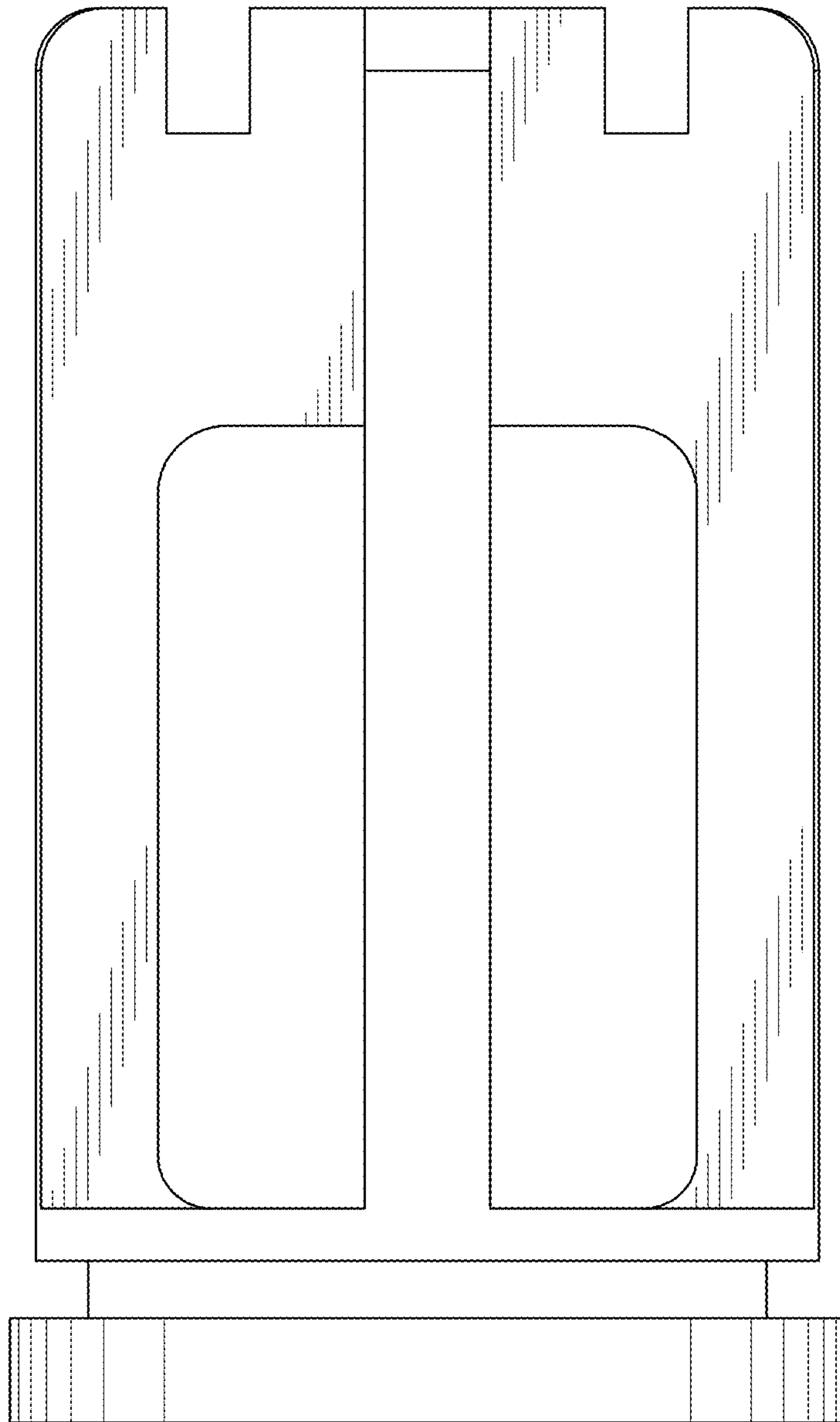


FIG.3

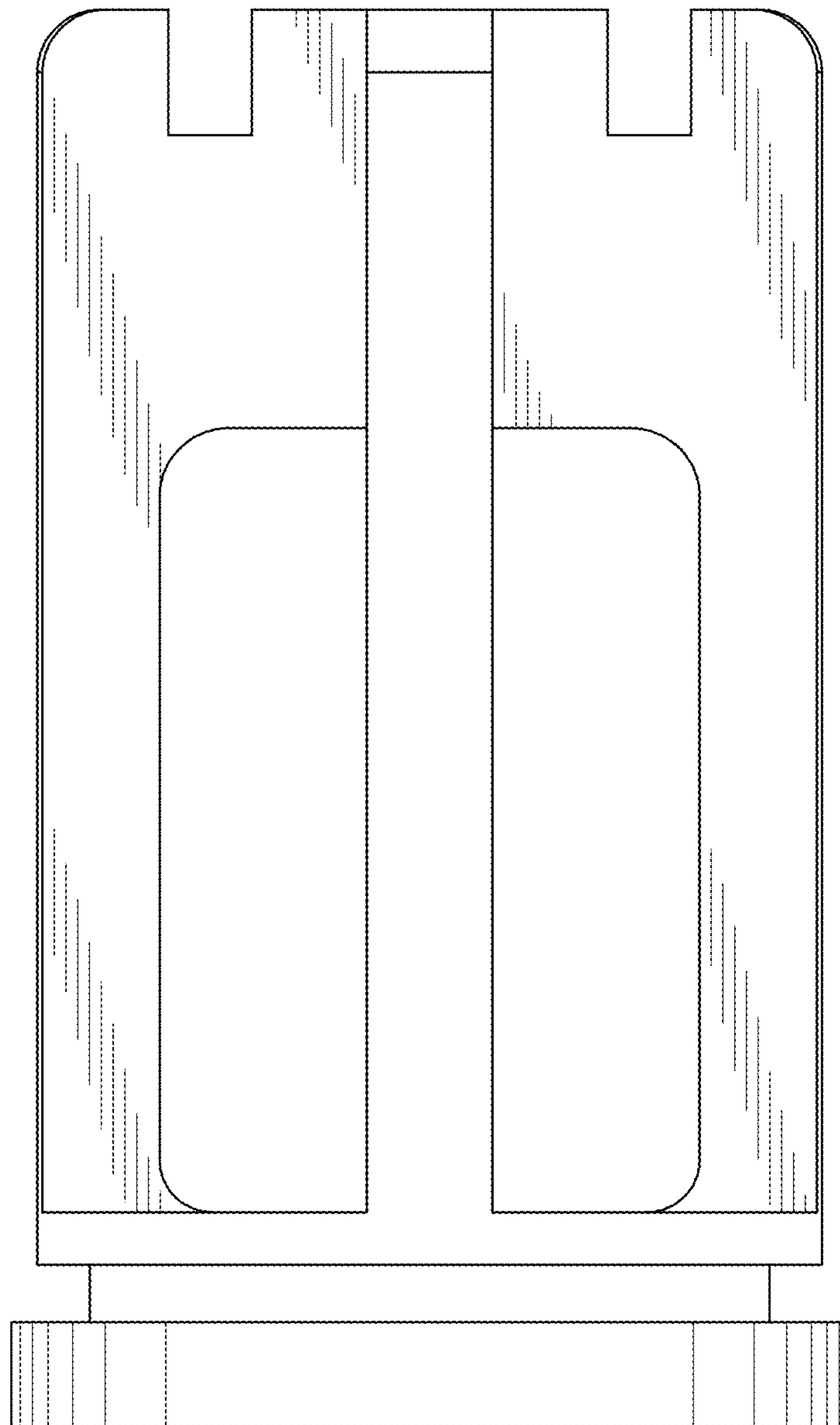


FIG.4

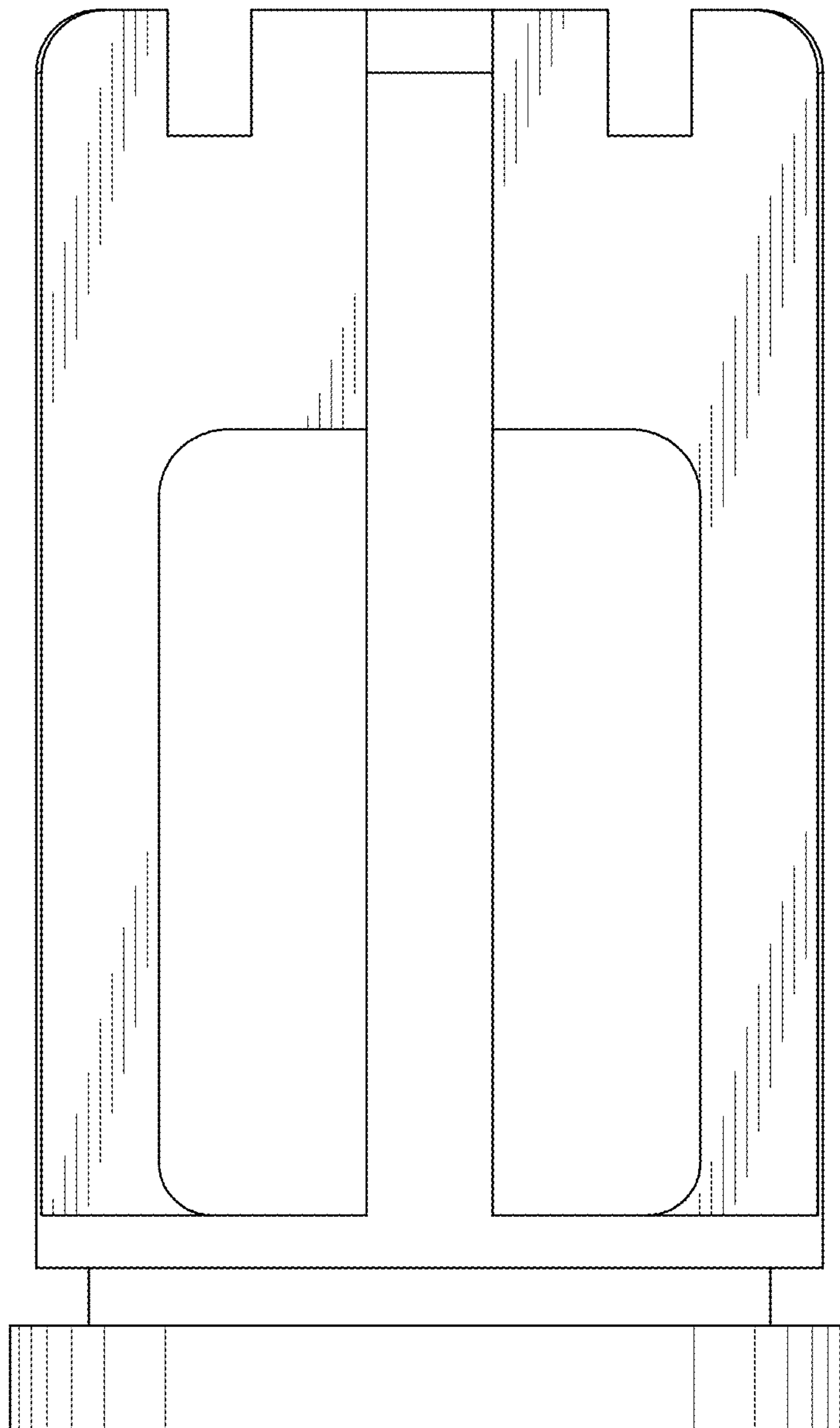


FIG.5

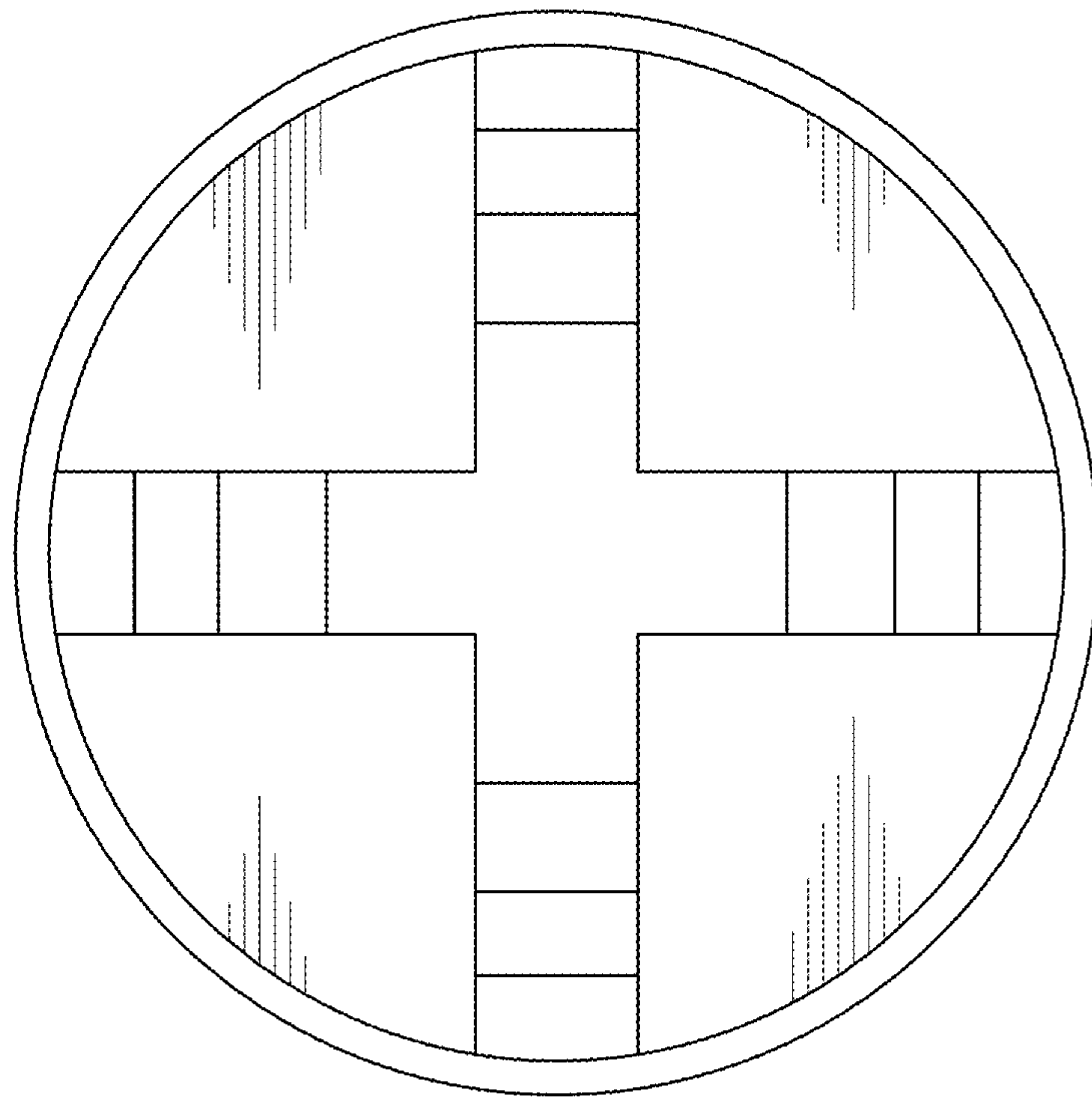


FIG.6

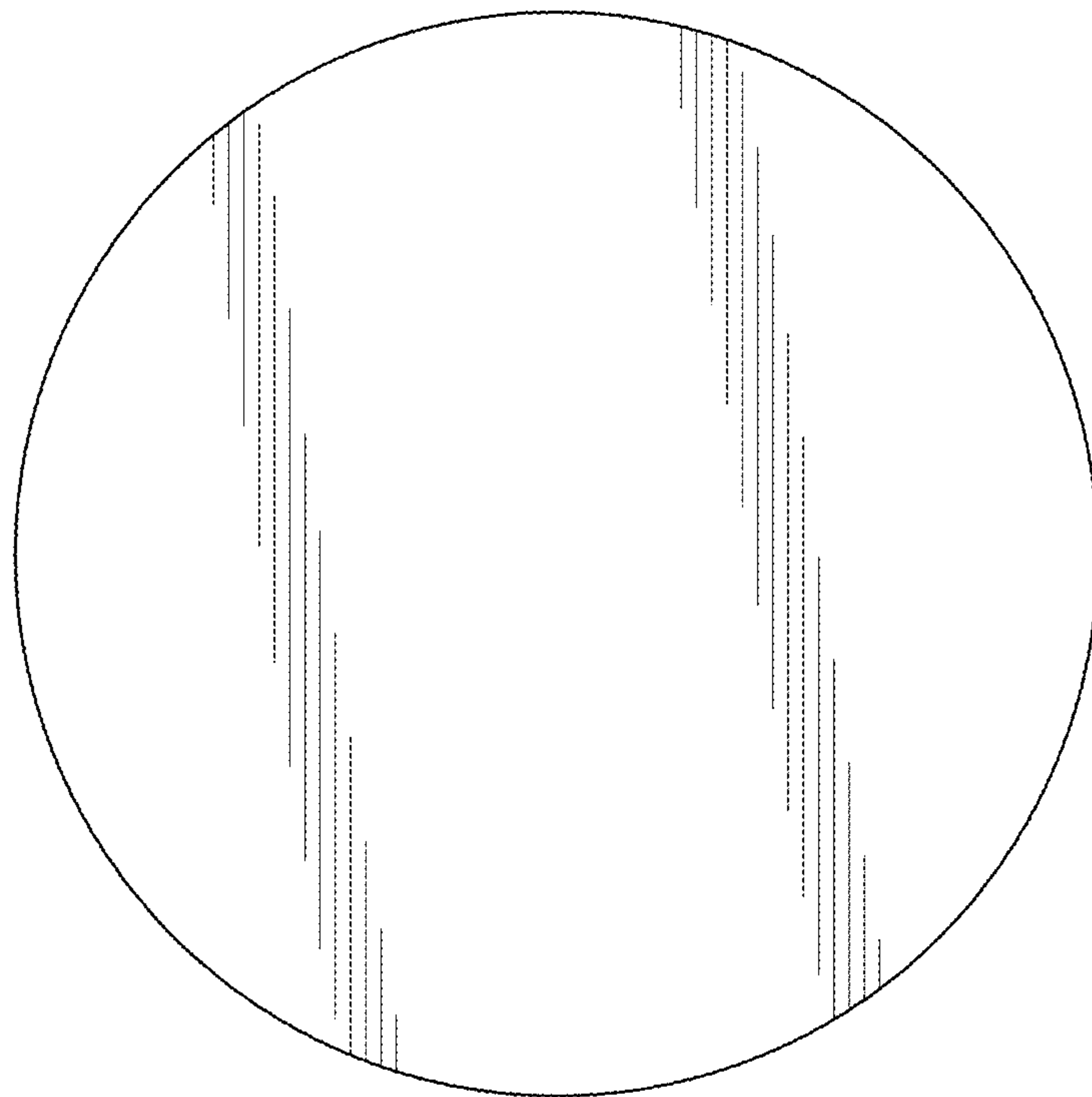


FIG.7

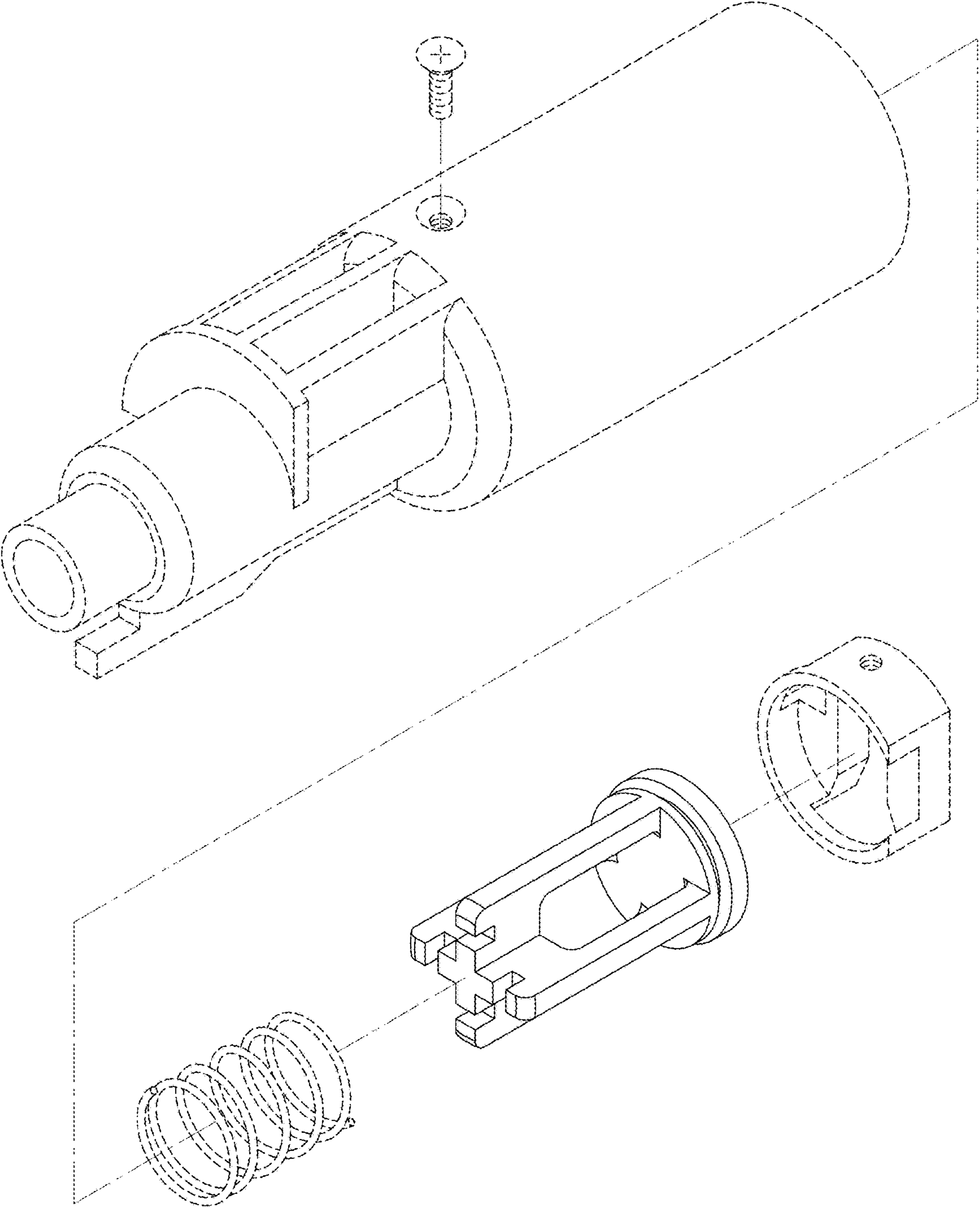


FIG.8