



US00D791552S

(12) **United States Design Patent**  
**Rose**

(10) **Patent No.:** **US D791,552 S**

(45) **Date of Patent:** **\*\* Jul. 11, 2017**

(54) **GARLIC PRESS**

(71) Applicant: **Williams-Sonoma, Inc.**, San Francisco, CA (US)

(72) Inventor: **Phillip John Patrick Rose**, San Francisco, CA (US)

(73) Assignee: **Williams-Sonoma, Inc.**, San Francisco, CA (US)

(\*\*) Term: **15 Years**

(21) Appl. No.: **29/559,657**

(22) Filed: **Mar. 30, 2016**

(51) **LOC (10) Cl.** ..... **07-04**

(52) **U.S. Cl.**  
USPC ..... **D7/666**

(58) **Field of Classification Search**  
USPC ..... D7/368, 388, 665, 666, 669, 680, 683, D7/686, 693  
CPC ..... A47J 19/005; A47J 19/06; A47J 19/022; A47J 43/286; B30B 9/04  
See application file for complete search history.

(56) **References Cited**

**U.S. PATENT DOCUMENTS**

5,513,562 A \* 5/1996 Moor ..... A47J 19/06 100/112  
D530,162 S \* 10/2006 Hussey ..... D7/666  
2012/0210889 A1 \* 8/2012 Troccoli ..... A47J 19/06 100/110

**OTHER PUBLICATIONS**

Williams Sonoma, Williams Sonoma Prep Tools Garlic Press, Publication Date Unknown, [Site Visited Mar. 14, 2017], Available

on the Internet URL:<<http://www.williams-sonoma.com/products/williams-sonoma-prep-tools-garlic-press/?pkey=cgarlic-herb-tools&isx=0.0.406>>.\*

\* cited by examiner

*Primary Examiner* — Karen S Acker

*Assistant Examiner* — S. Bryan Reinholdt, Jr.

(74) *Attorney, Agent, or Firm* — Cook Alex Ltd.; R. Blake Johnston

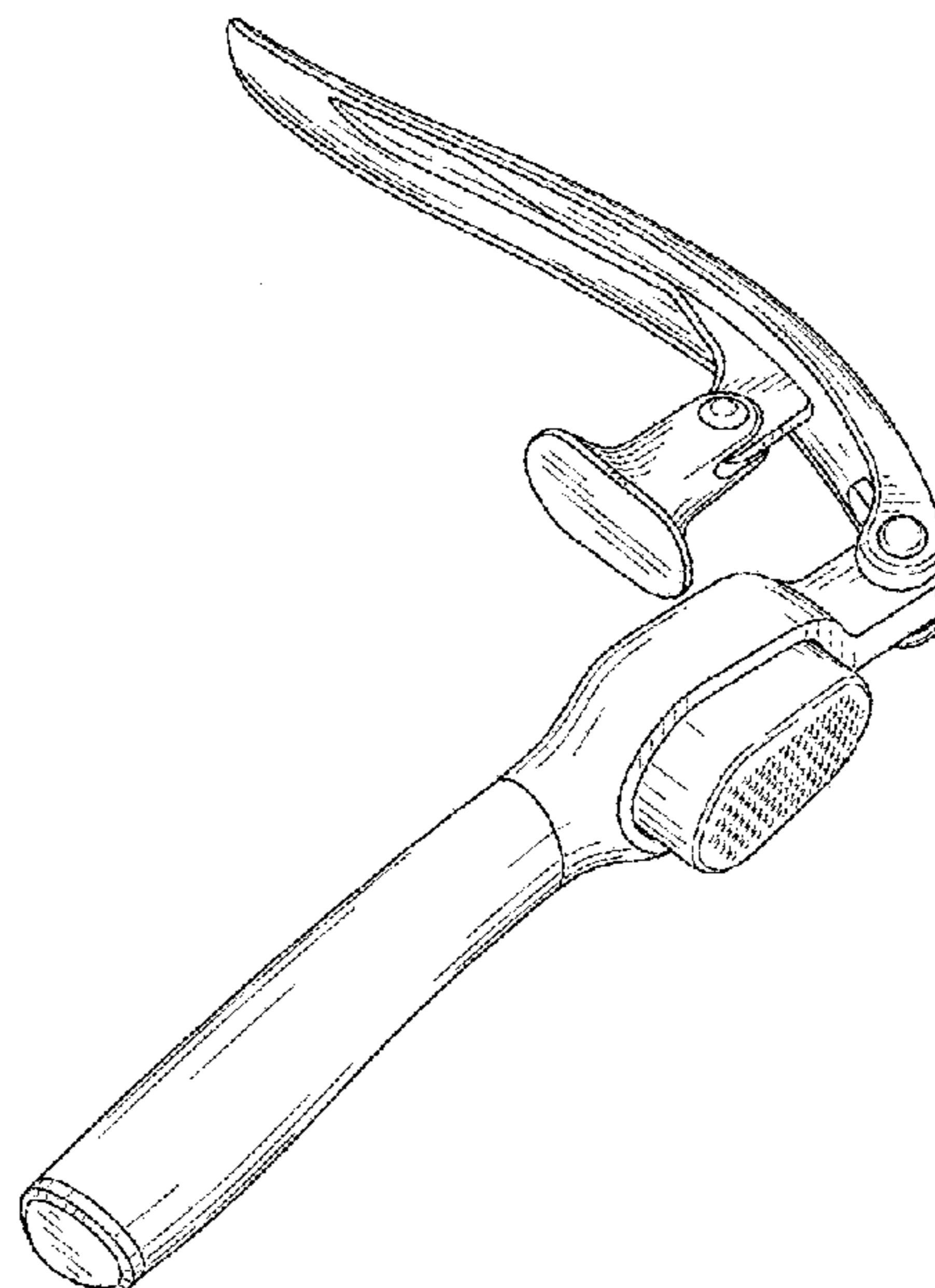
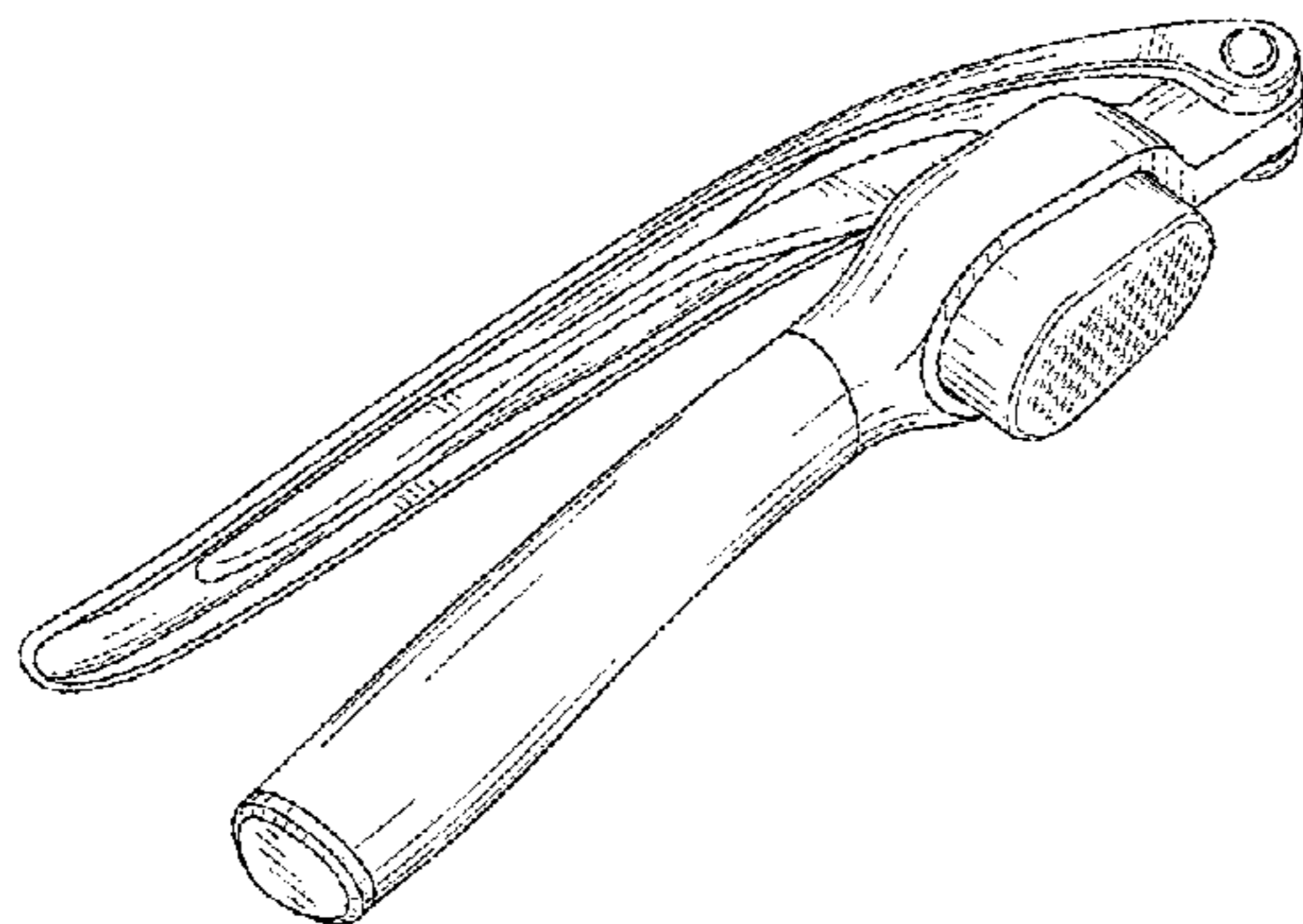
(57) **CLAIM**

The ornamental design for a garlic press, as shown and described.

**DESCRIPTION**

FIG. 1 is a perspective view of the garlic press;  
FIG. 2 is a bottom plan view of the garlic press;  
FIG. 3 is a top plan view of the garlic press;  
FIG. 4 is a front elevational view of the garlic press;  
FIG. 5 is a rear elevational view of the garlic press;  
FIG. 6 is a right side elevational view of the garlic press, the opposite side of which is a mirror image;  
FIG. 7 is a perspective view of the garlic press with the lever handle in the open position;  
FIG. 8 is a bottom plan view of the garlic press with the lever handle in the open position;  
FIG. 9 is a top plan view of the garlic press with the lever handle in the open position;  
FIG. 10 is a front elevational view of the garlic press with the lever handle in the open position;  
FIG. 11 is a rear elevational view of the garlic press with the lever handle in the open position; and,  
FIG. 12 is a right side elevational view of the garlic press, the opposite side of which is a mirror image.  
The broken lines shown in the drawings depict portions of the garlic press that form no part of the claimed design.

**1 Claim, 7 Drawing Sheets**



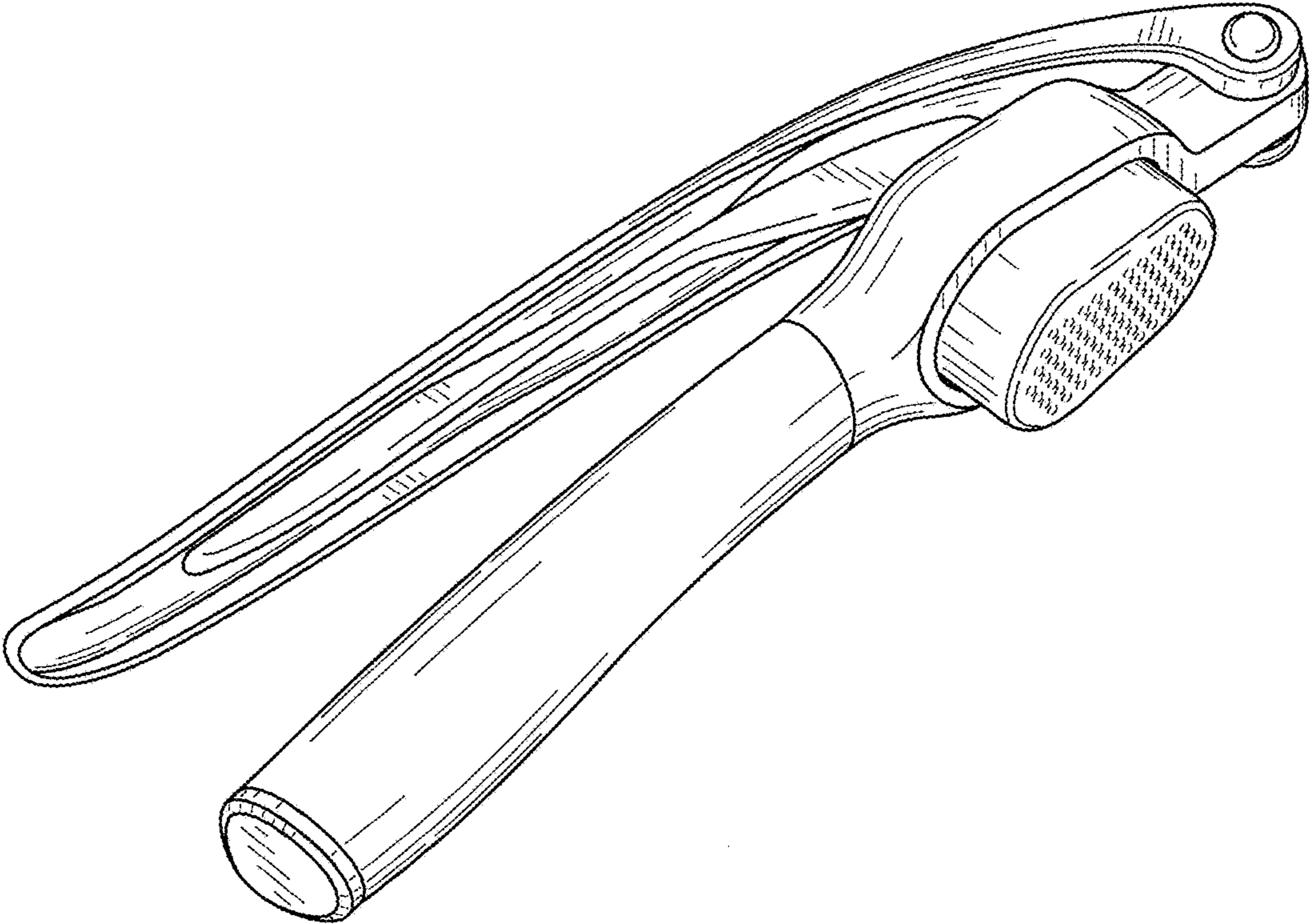


FIG. 1

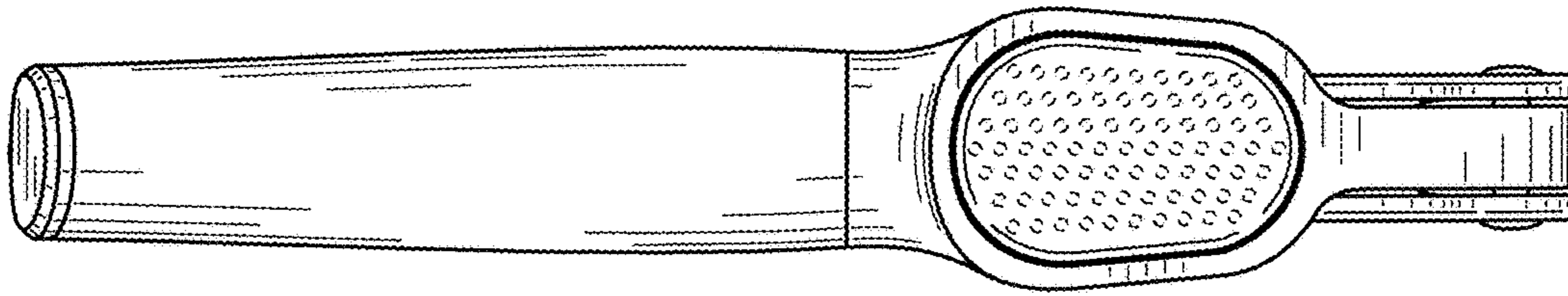


FIG. 2

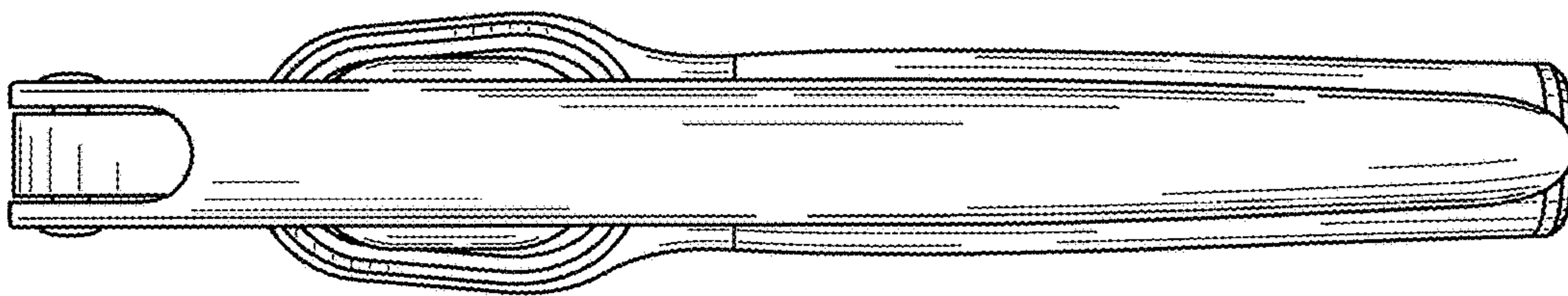


FIG. 3

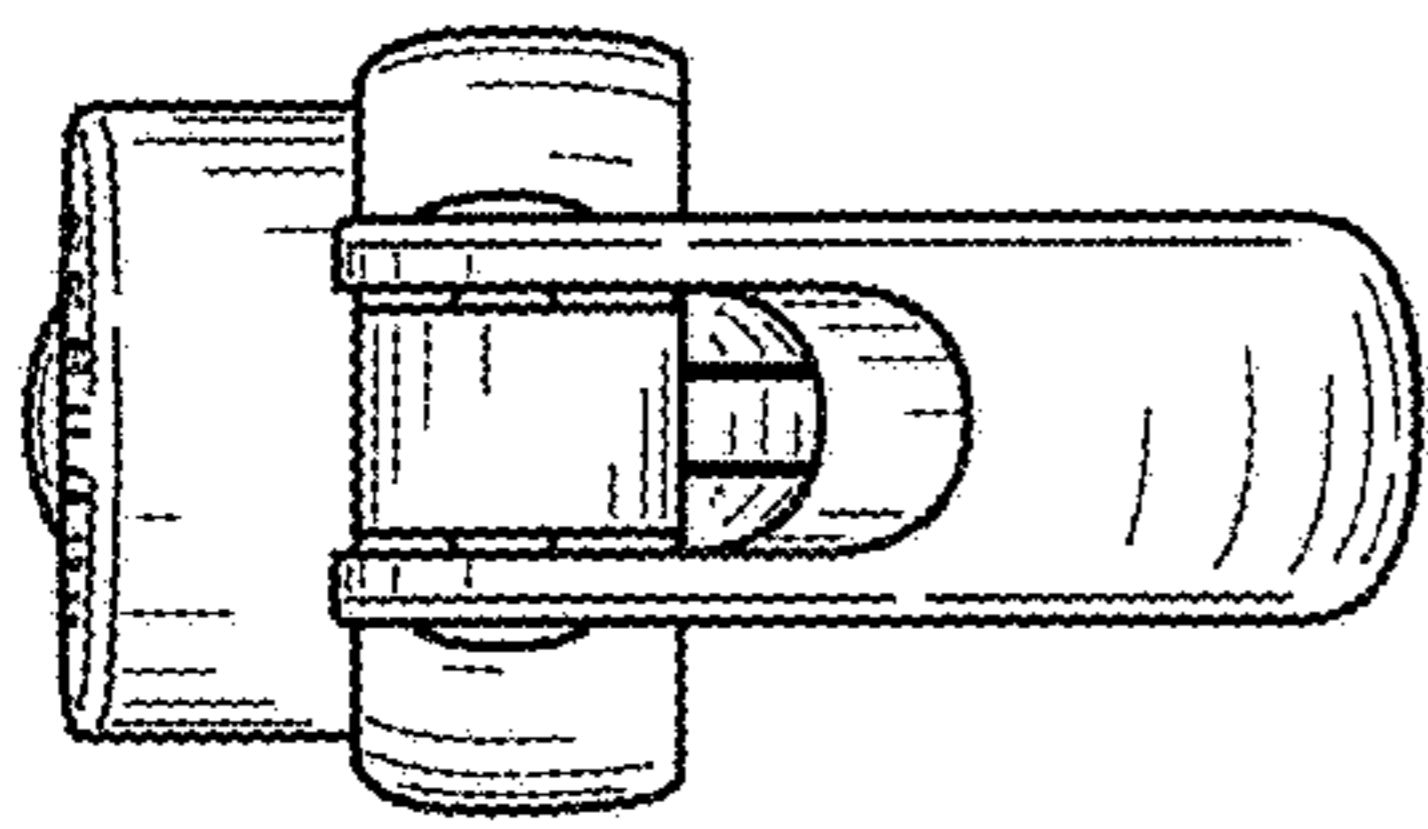


FIG. 4

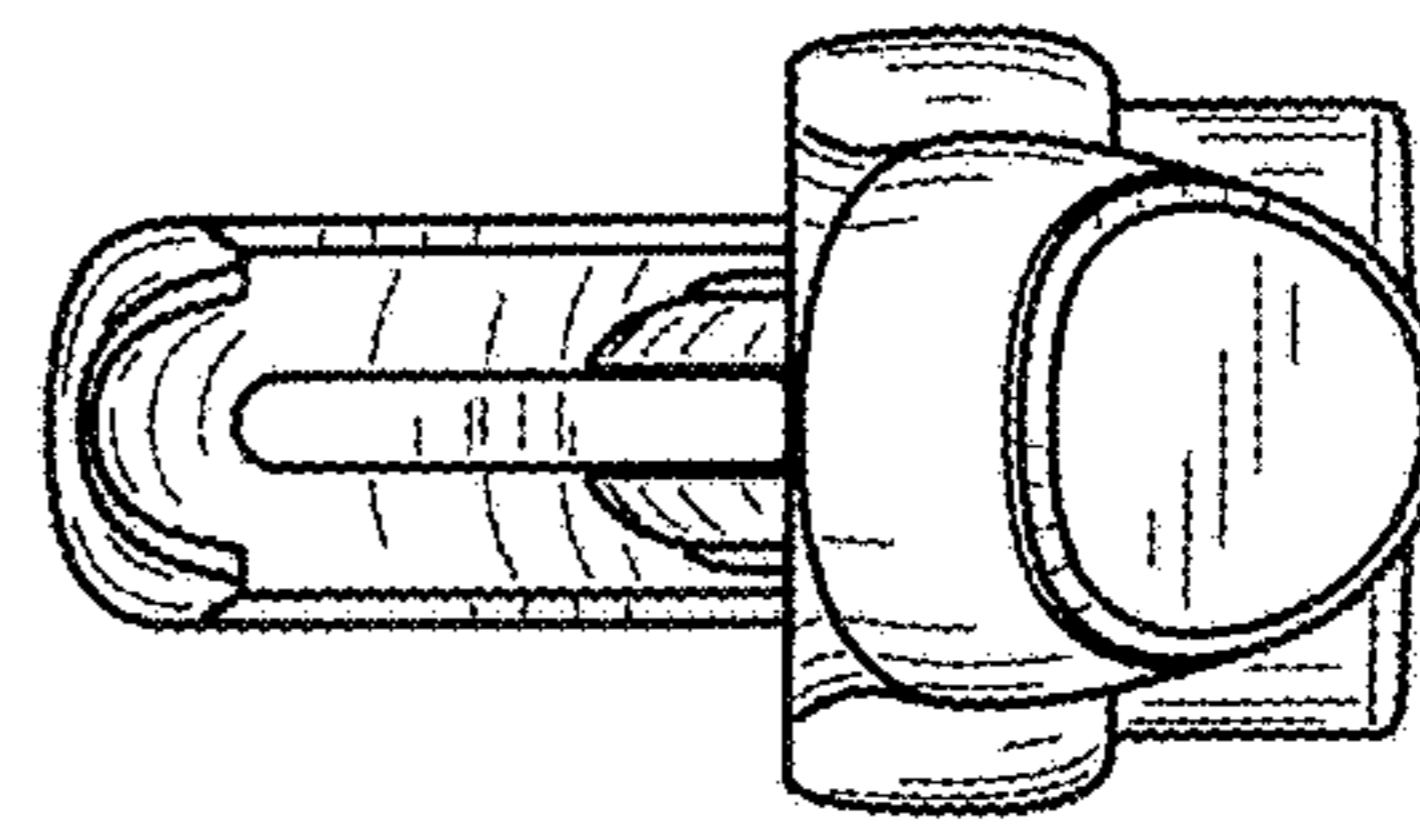


FIG. 5

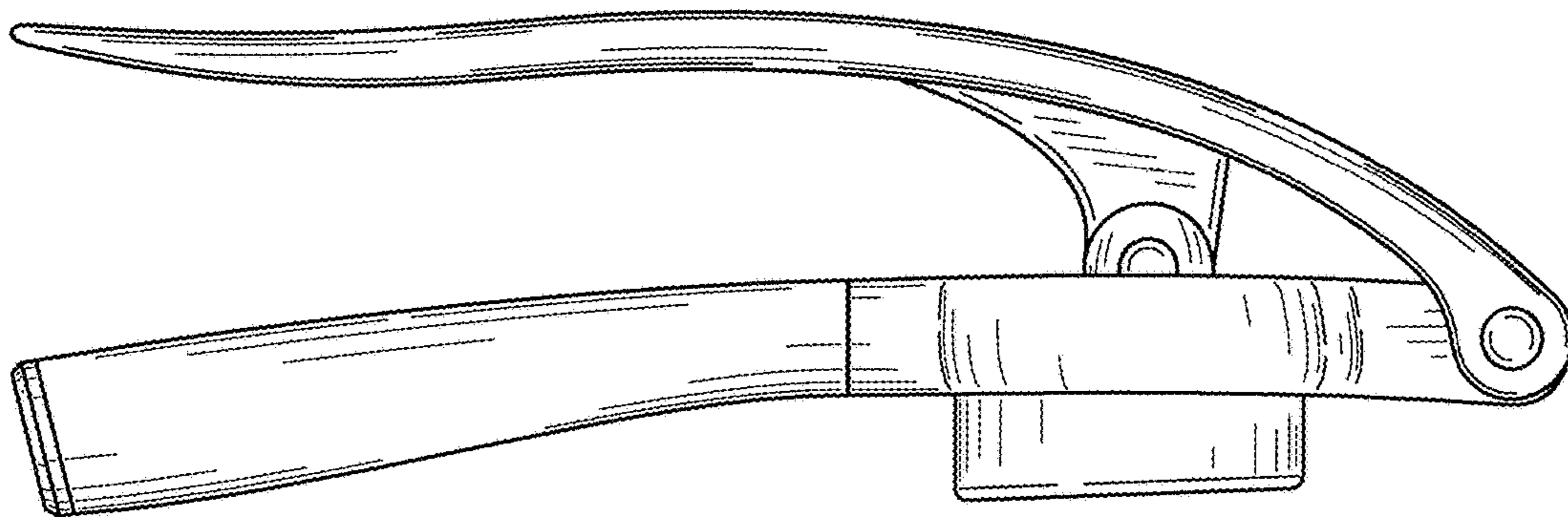


FIG. 6

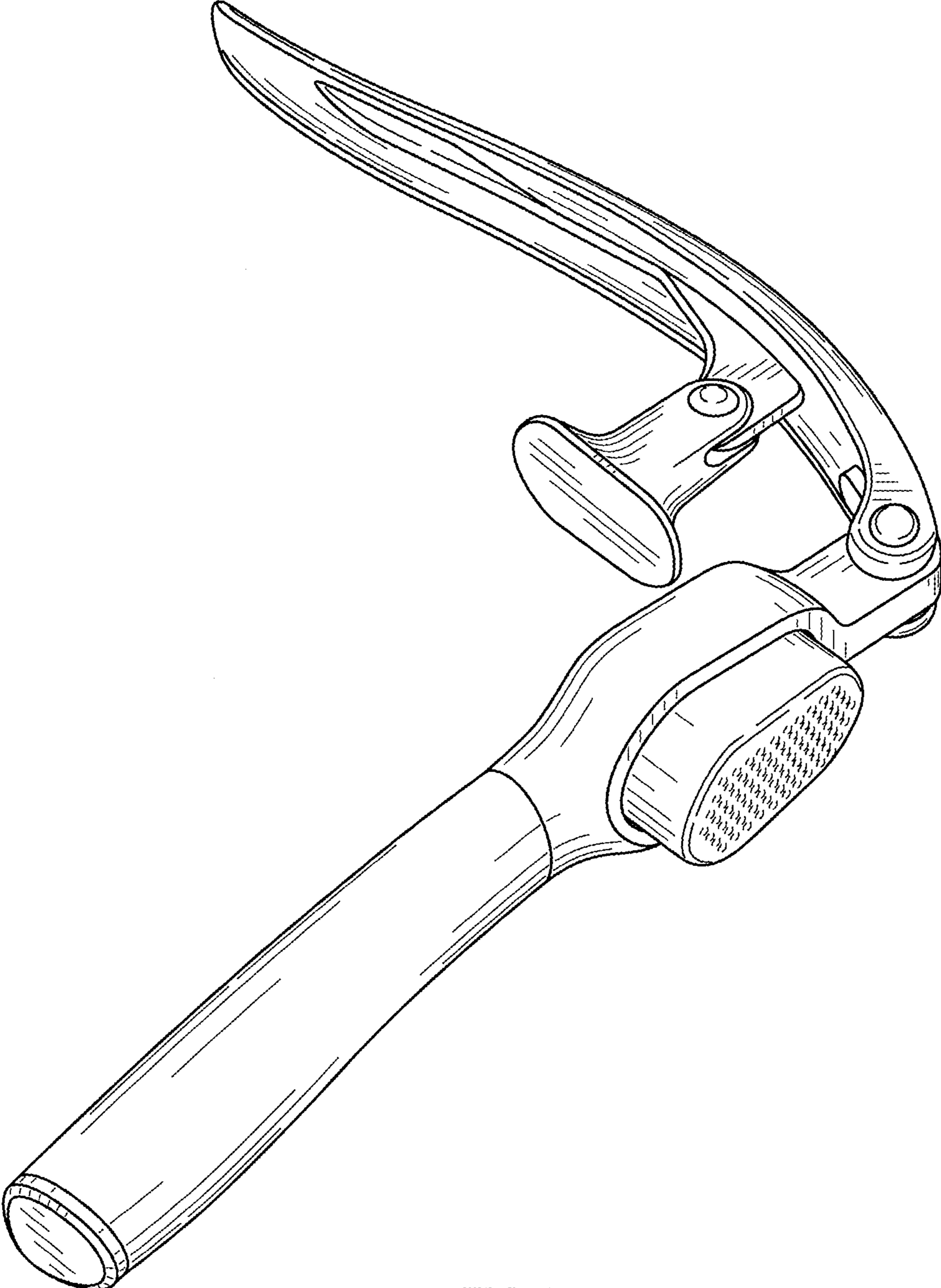


FIG. 7

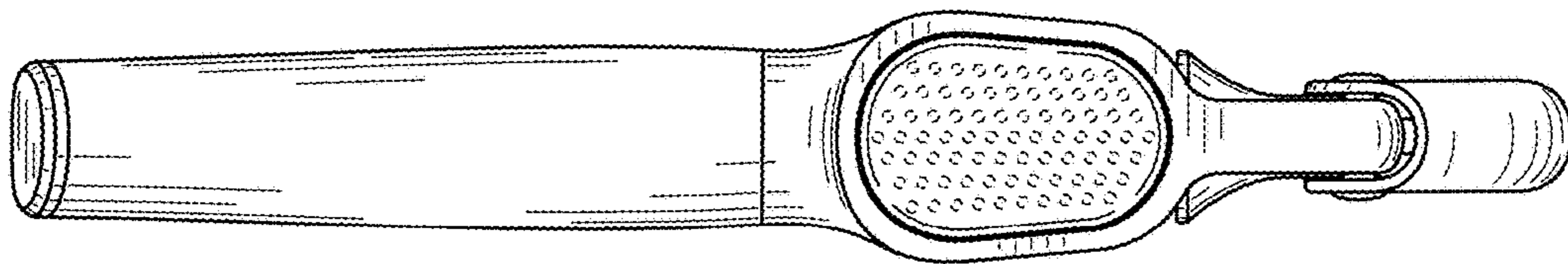


FIG. 8

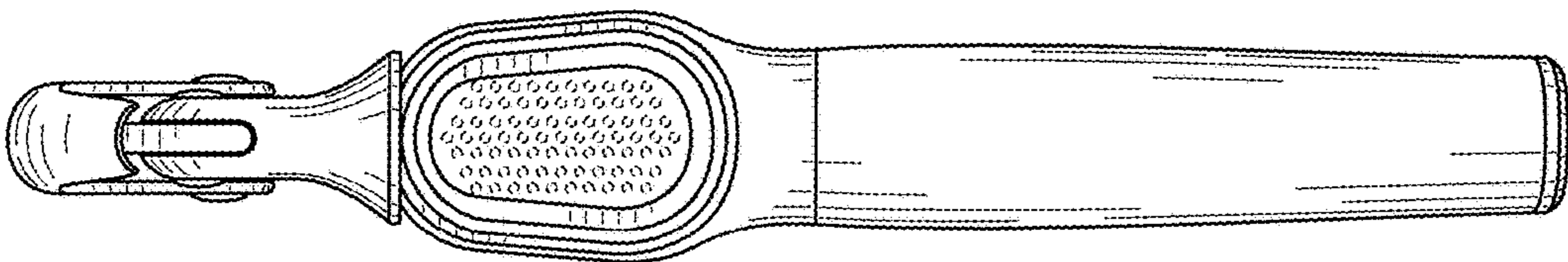


FIG. 9

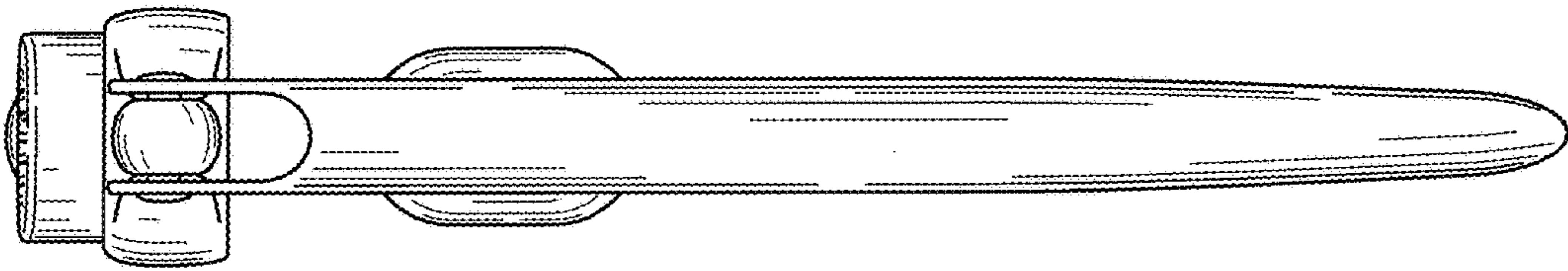


FIG. 10

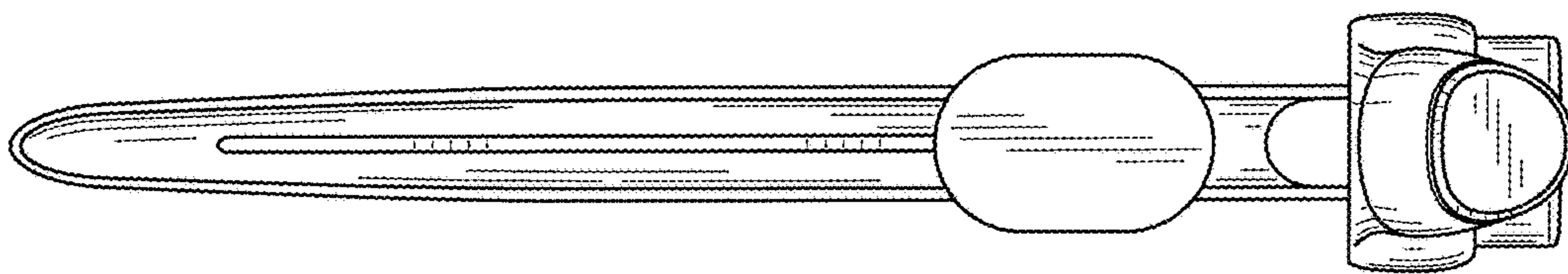


FIG. 11

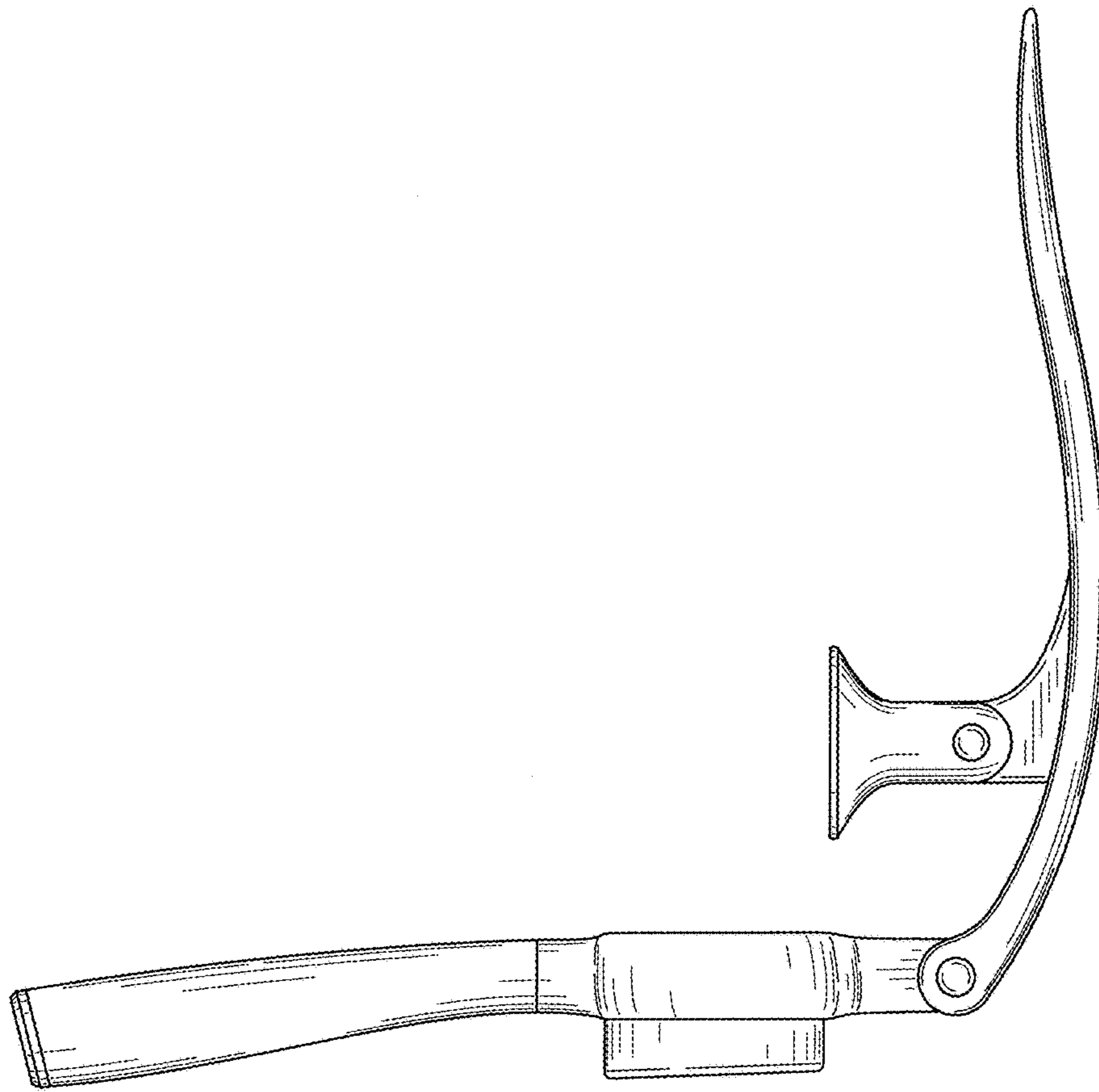


FIG. 12