



US00D791550S

(12) **United States Design Patent** (10) **Patent No.:** **US D791,550 S**
Marret (45) **Date of Patent:** **** Jul. 11, 2017**

(54) **BOTTLE**
(71) Applicant: **MON BENTO**, Clermont-Ferrand (FR)
(72) Inventor: **Fabien Marret**, Central (HK)
(73) Assignee: **MON BENTO**, Clermont-Ferrand (FR)
(**) Term: **14 Years**
(21) Appl. No.: **29/512,575**
(22) Filed: **Dec. 19, 2014**

D628,486 S * 12/2010 Lane D7/510
D631,666 S * 2/2011 Lim D4/129
D633,338 S * 3/2011 Rosbach D7/511
D635,457 S * 4/2011 Lane D7/510
D647,369 S * 10/2011 Bryman D7/507
D652,255 S * 1/2012 Carland D7/510
D653,082 S * 1/2012 George D7/510
D662,360 S * 6/2012 George D7/510
D664,809 S * 8/2012 Eyal D7/510
D675,100 S * 1/2013 Herbst D7/511
D708,954 S * 7/2014 Barnes D7/511
D712,255 S * 9/2014 Geis D9/436
D724,385 S * 3/2015 Hurley D7/511
D728,315 S * 5/2015 Bo D7/511
D729,579 S * 5/2015 Molayem D7/507
D762,418 S * 8/2016 Sorensen D7/511

(30) **Foreign Application Priority Data**
Jun. 20, 2014 (EM) 002487033-0005
(51) **LOC (10) Cl.** **07-01**
(52) **U.S. Cl.**
USPC **D7/611**
(58) **Field of Classification Search**
USPC D7/305, 306, 308-313, 32, 510, 511,
D7/589, 602; 99/290, 323.2; 222/144.5,
222/146.1, 185.1
CPC B65D 1/02; B65D 1/0207; B65D 81/38
See application file for complete search history.

* cited by examiner

Primary Examiner — Robin V Webster
Assistant Examiner — Rachel Voorhies
(74) *Attorney, Agent, or Firm* — Stephen J. Weyer, Esq.;
Stites & Harbison, PLLC.

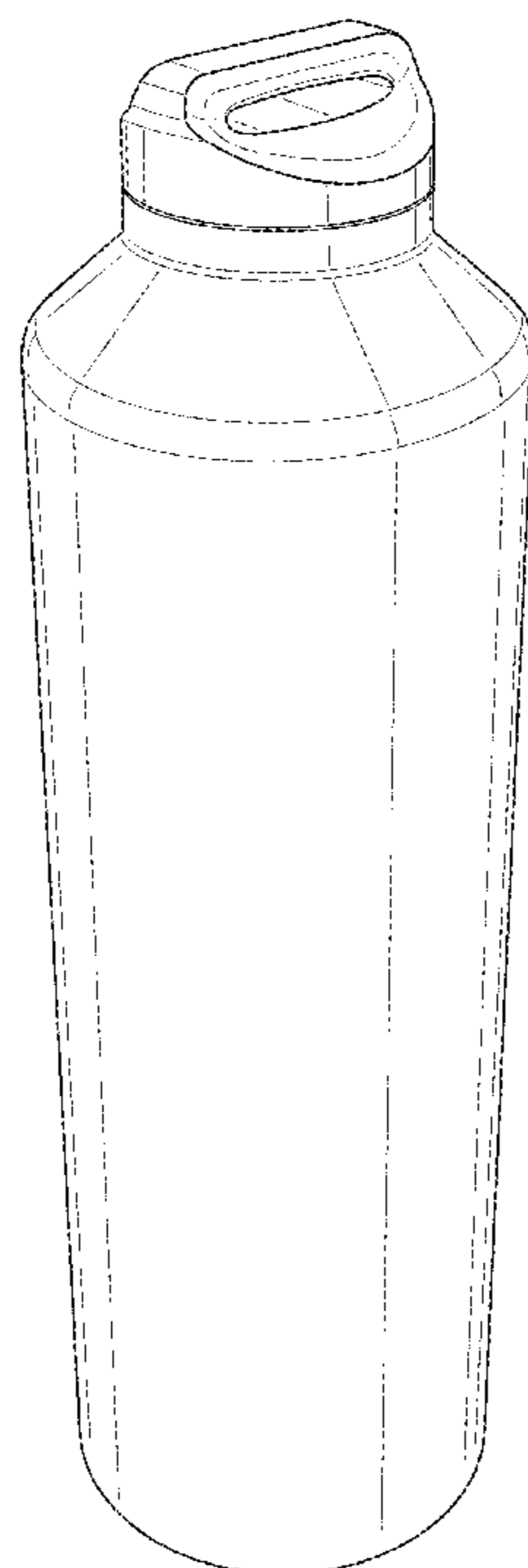
(56) **References Cited**
U.S. PATENT DOCUMENTS
D279,346 S * 6/1985 Ruxton D7/321
D422,503 S * 4/2000 Lehn D7/511
D616,744 S * 6/2010 Cresswell D9/443
D626,416 S * 11/2010 Cresswell D7/510
D627,601 S * 11/2010 Eyal D7/510
D627,602 S * 11/2010 Eyal D7/510

(57) **CLAIM**
The ornamental design for a bottle, as shown and described.

DESCRIPTION

FIG. 1 is a perspective view taken from the top, front, and right side of the bottle of the present invention.
FIG. 2 is a front elevation view of the bottle of FIG. 1, the rear elevation being a mirror image thereof.
FIG. 3 is a left side elevation view of the bottle of FIG. 1, the right side being a mirror image thereof.
FIG. 4 is a top plan view of the bottle of FIG. 1; and,
FIG. 5 is a bottom plan view of the bottle of FIG. 1.

1 Claim, 4 Drawing Sheets



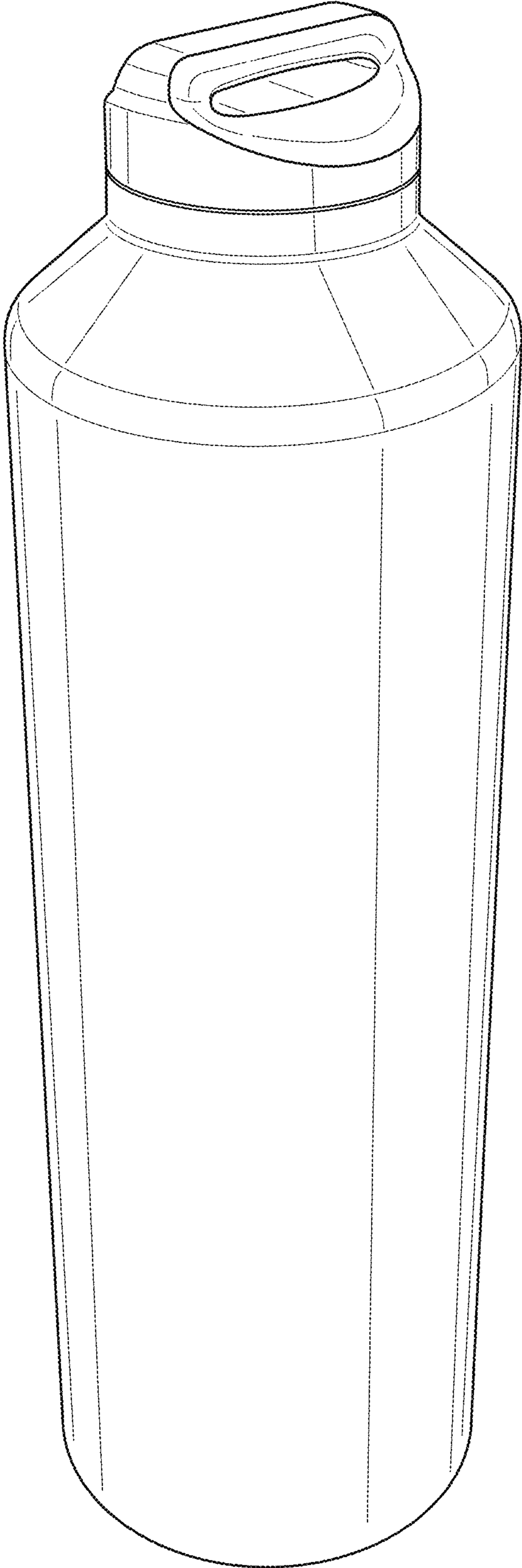


FIG. 1

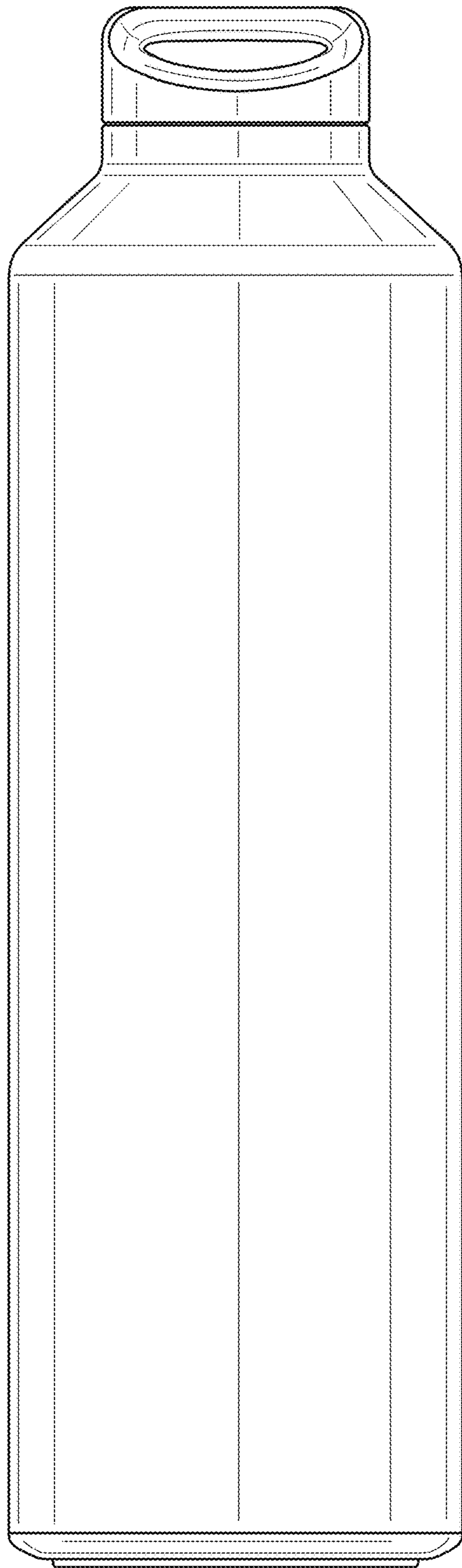


FIG. 2

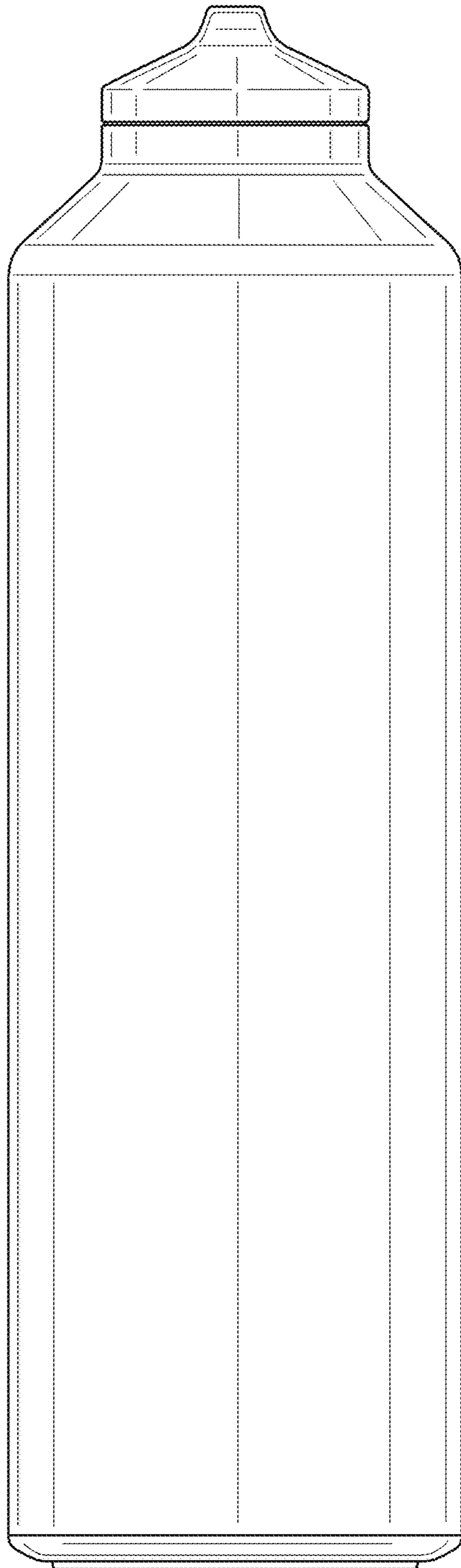


FIG. 3

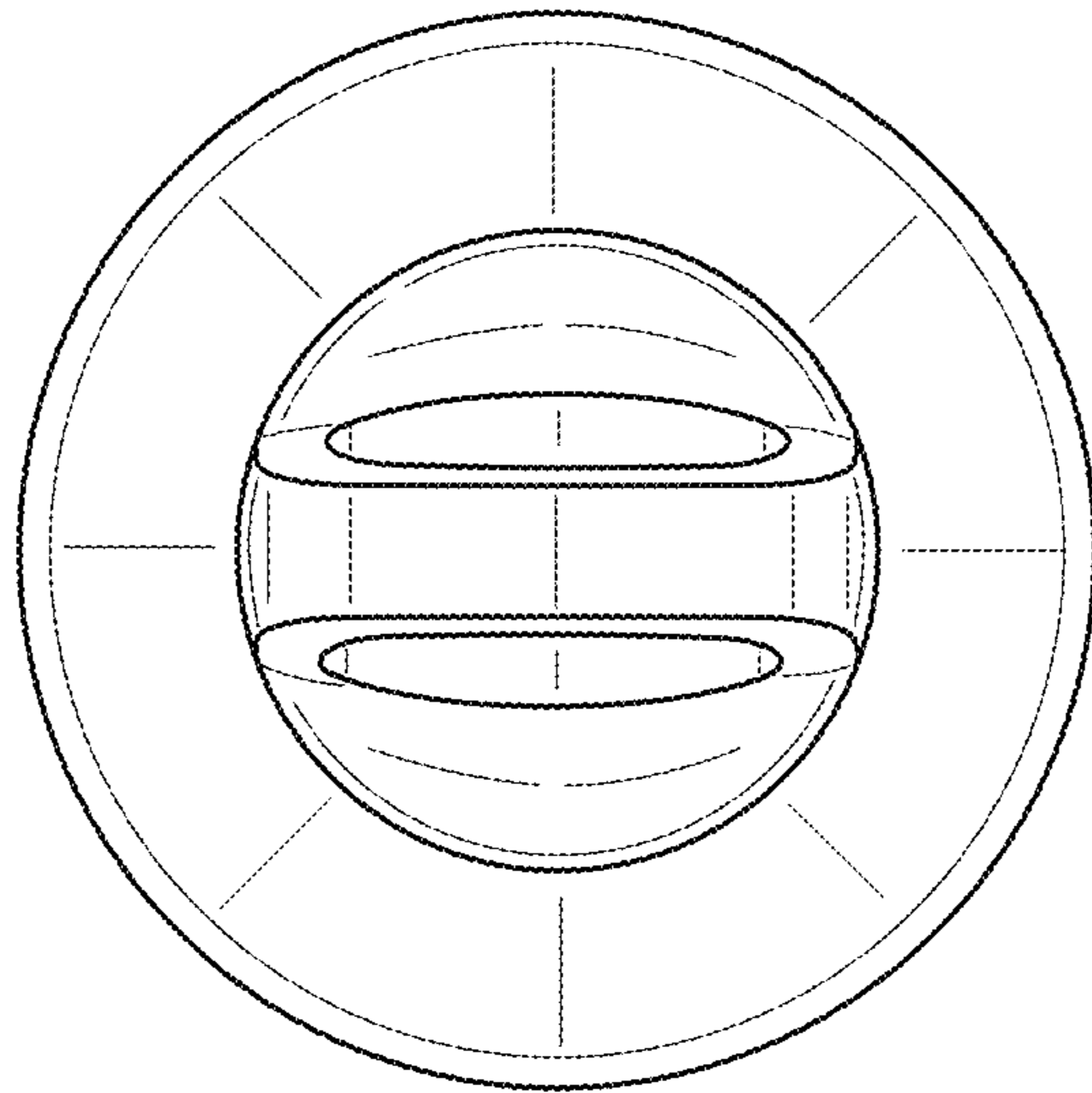


FIG. 4

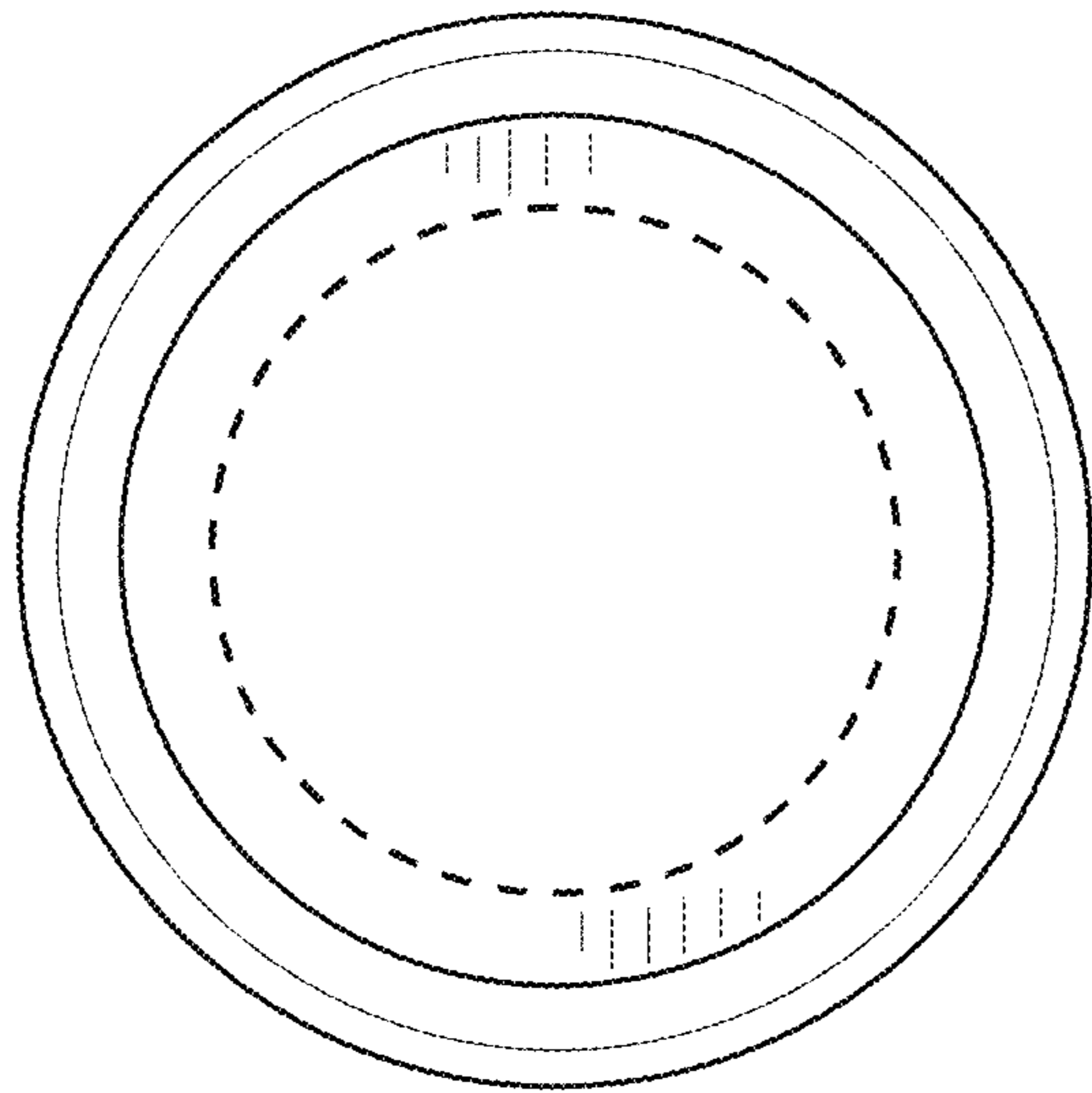


FIG. 5