

US00D791549S

(12) **United States Design Patent** (10) **Patent No.:** **US D791,549 S**
Goodwin et al. (45) **Date of Patent:** **** Jul. 11, 2017**

(54) **BOTTLE**
(71) Applicant: **Helen of Troy Limited**, St. Michael (BB)
(72) Inventors: **Brian George Goodwin**, Bend, OR (US); **Ryan James Diener**, Bend, OR (US)

D632,524 S 2/2011 Rosbach et al.
D633,338 S 3/2011 Rosbach et al.
D648,984 S * 11/2011 Gullickson D7/510
D652,256 S * 1/2012 Eyal D7/510
D654,793 S 2/2012 Rosbach
D680,805 S 4/2013 Rosbach
D688,912 S 9/2013 Rosbach
(Continued)

(73) Assignee: **Helen of Troy Limited**, St. Michael (BB)

FOREIGN PATENT DOCUMENTS

TW 419188 B 1/2001
TW D139937 S 4/2011

(**) Term: **15 Years**

OTHER PUBLICATIONS

(21) Appl. No.: **29/545,623**

Oct. 26, 2016, Office action from the Taiwanese Intellectual Property Office in Taiwanese Design Patent Application No. 105302558, which claims the benefit of priority to this U.S. application.

(22) Filed: **Nov. 13, 2015**

(Continued)

(51) **LOC (10) Cl.** **07-01**

(52) **U.S. Cl.**
USPC **D7/608**

(58) **Field of Classification Search**
USPC D7/392.1, 507, 509, 510, 511, 601, 602, D7/608, 312-314, 317, 318; D9/447, D9/449, 504
CPC B65D 25/28; B65D 25/42; B65D 41/0414; B65D 41/0485; B65D 41/62; B65D 43/26; B65D 43/02; B65D 43/163; B65D 47/08; B65D 51/18; B65D 47/066; B65D 2251/00046; B65D 2251/0081; B65D 47/0814; B65D 47/0838; B65D 47/0861; B65D 55/16; B65D 55/02; A47G 19/2266; A47G 19/2272; A47G 19/22

Primary Examiner — Freda S Nunn

(74) *Attorney, Agent, or Firm* — Kolisch Hartwell, P.C.

(57) **CLAIM**

The ornamental design for a bottle, as shown and described.

See application file for complete search history.

DESCRIPTION

(56) **References Cited**

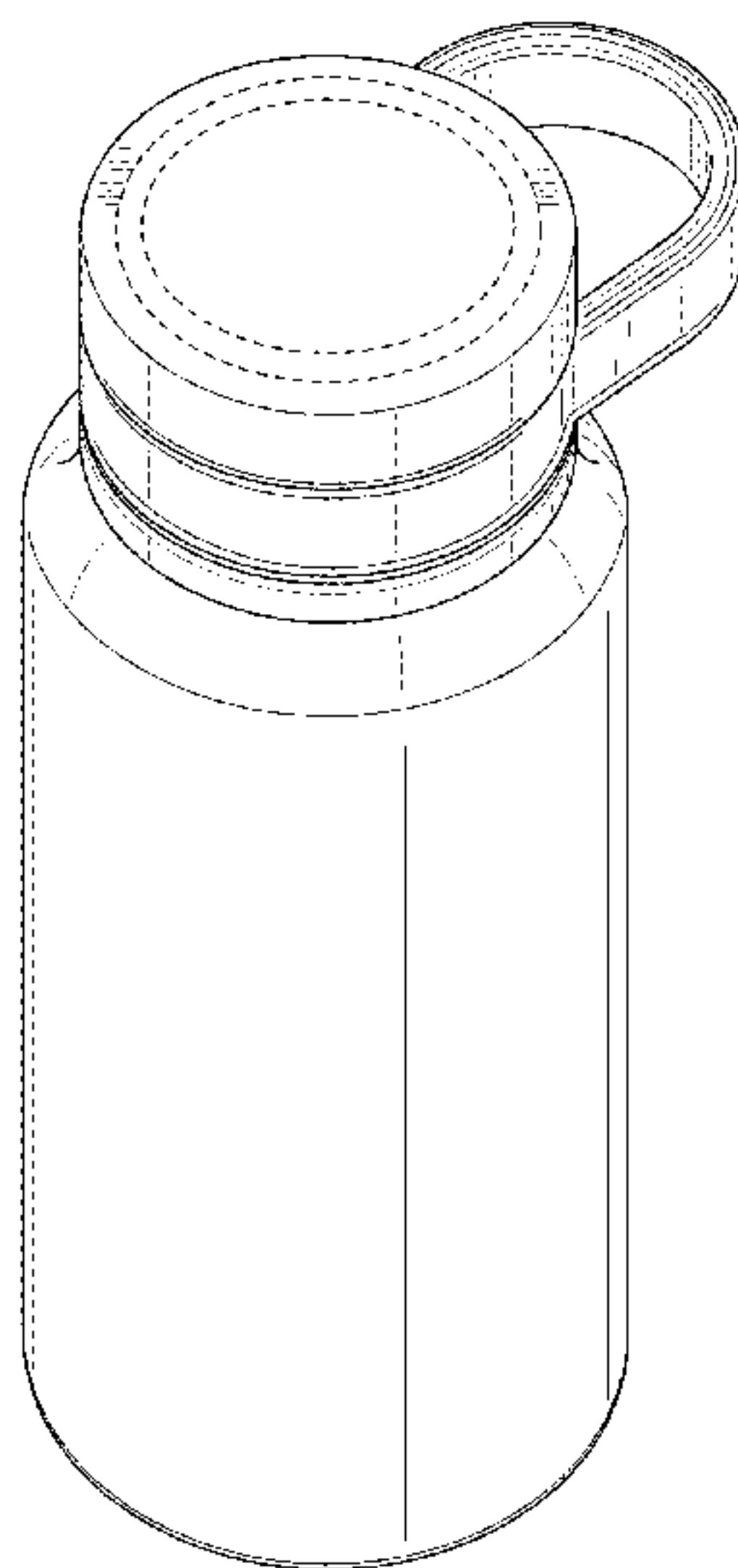
U.S. PATENT DOCUMENTS

3,757,979 A * 9/1973 Berghahn B65D 55/02 116/200
D553,914 S * 10/2007 Wahl D7/608
D596,460 S * 7/2009 Nezu D7/510

FIG. 1 is an upper, front, and right side perspective view of a bottle showing our new design;
FIG. 2 is a lower, rear, and left side perspective view thereof;
FIG. 3 is a front view thereof;
FIG. 4 is a rear view thereof;
FIG. 5 is a left side view thereof;
FIG. 6 is a right side view thereof;
FIG. 7 is a top view thereof; and,
FIG. 8 is a bottom view thereof.

Elements of the bottle depicted using broken lines are intended to illustrate the environment of the claimed design and form no part of the claimed design.

1 Claim, 7 Drawing Sheets



(56)

References Cited

U.S. PATENT DOCUMENTS

D693,170 S	11/2013	Rosbach	
8,590,734 B2 *	11/2013	Giraud	B65D 50/045 215/204
D700,012 S *	2/2014	Hurley	D7/392.1
D704,986 S	5/2014	Manies	
2015/0173539 A1 *	6/2015	Mason	A47G 19/2272 220/707
2015/0201774 A1 *	7/2015	Sorensen	A47G 19/2272 220/715

OTHER PUBLICATIONS

The Bräuler™ Modular Growler System, retrieved from <http://gopaultech.com/blog/2011/06/the-brauler%E2%84%A2-stainless-steel-beer-brewing-growler/>, “The Bräuler™ Stainless Steel Beer Brewing Growler”, blog, page dated Jun. 8, 2011.

Drink Tanks Growler, retrieved from <https://www.kickstarter.com/projects/584321487/the-perfect-beer-drinking-vessel-and-private-keg> and <http://www.homebrewlinds.com/2014/06/hands-on-drink-tanks-growler-and-keg-cap.html>, Kickstarter campaign, Kickstarter page dated Mar. 13, 2013.

Classic Screw Top Glass Growler, retrieved from <http://www.bonappetit.com/drinks/beer/slideshow/beer-guide-for-college-students> and <http://vikingsmashbrewing.com/5-gallons-vs-1-gallon/>, “The Complete Guide to Drinking Beer for college Students”, article, bonappetit page dated Sep. 25, 2013.

Traditional Grolsch Closure, retrieved from <http://www.homebrewtinds.com/2014/04/hands-on-portland-growler-company-hand.html>, “Hands On: Portland Growler Company Hand Made Growlers”, article, page dated Apr. 4, 2014.

Klean Kanteen Growler, retrieved from <http://50campfires.com/klean-kanteen-growler-overview/>, “Klean Kanteen Growler Overview”, article, page dated Aug. 15, 2014.

Oggi 8080 Stainless Steel Double Walled Beer Growler, 56-Ounce, retrieved from Internet Archive Wayback Machine tom <https://www.amazon.com/Oggi-8080-Stainless-Growler-56-Ounce/dp/B00JAFTX4K>, Amazon listing, page dated Oct. 17, 2014.

Growler Werks uKeg Growler, retrieved from <https://firstdraftbeernet/2014/10/22/the-u-keg-pressurized-growler/>, article, The uKeg™ Pressurized Growler, article, page dated Oct. 22, 2014.

Miir Growler, retrieved from <http://www.gogumption.com/go-outdoors/classic-modern-6-best-beer-growlersi>, “From classic to Modern: In Search of the Perfect Growler”, article, p. dated Oct. 22, 2014.

Innate Growler, retrieved from <http://www.gogumption.com/go-hike/2014-holiday-gift-guide/>, “The 2014 Holiday Gift Guide”, article, page dated Dec. 4, 2014.

Stanley Growler, retrieved from <https://gearjunkie.com/2015-16-winter-gear-first-look>, “First Look: 2015/16 Winter Gear”, article, page dated Jan. 21, 2015.

Revletics 1.0L Stainless Steel Insulated Water Bottle—Blue, retrieved from Internet Archive Wayback Machine from <http://revletics.com/11-stainless-steel-insulated-water-bottle>, product was commercially available prior to the filed of the instant application at Revletics listing, listing, page dated Jun. 2, 2015.

Everich Growler, retrieved from <http://everich001.en.alibaba.com/> and <http://everich.cn>, product was commercially available prior to filing date of the instant application, and at least as early as Oct. 6, 2015.

Fifty Fifty Growler, retrieved from <http://www.fiftyfiftyboffles.com/>, product was commercially available prior to the filing late of the instant application, and at least as early as Oct. 6, 2015.

* cited by examiner

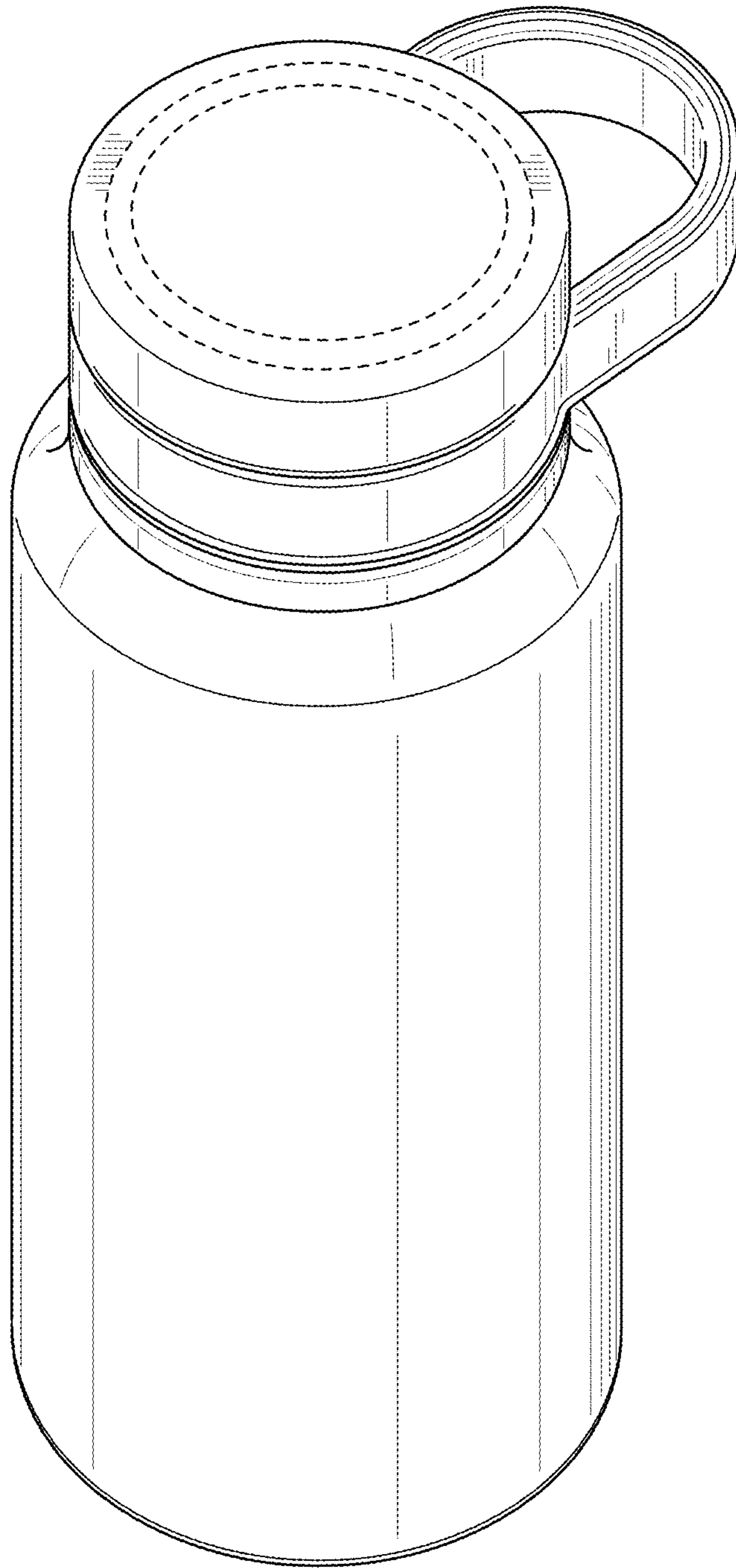


FIG. 1

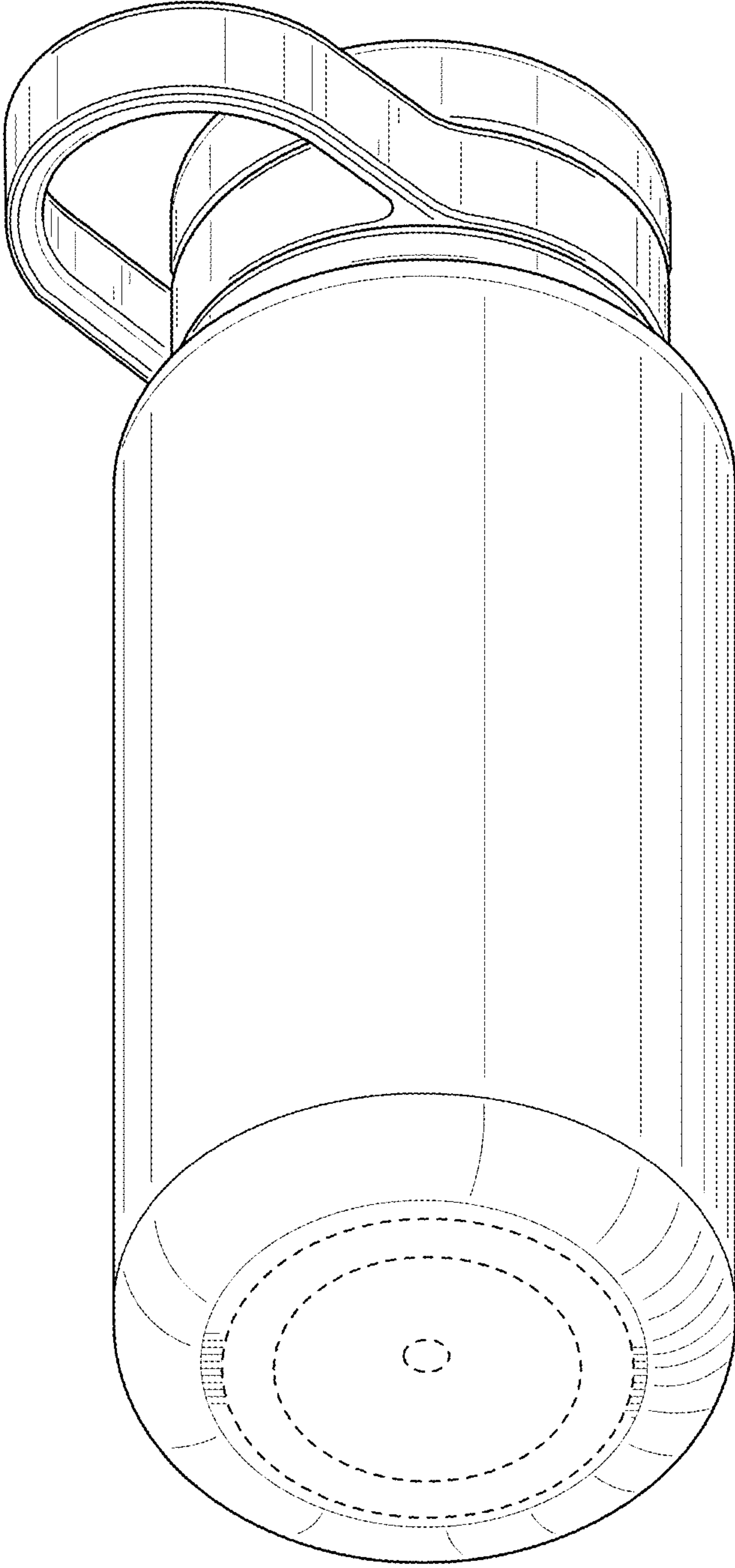


FIG. 2

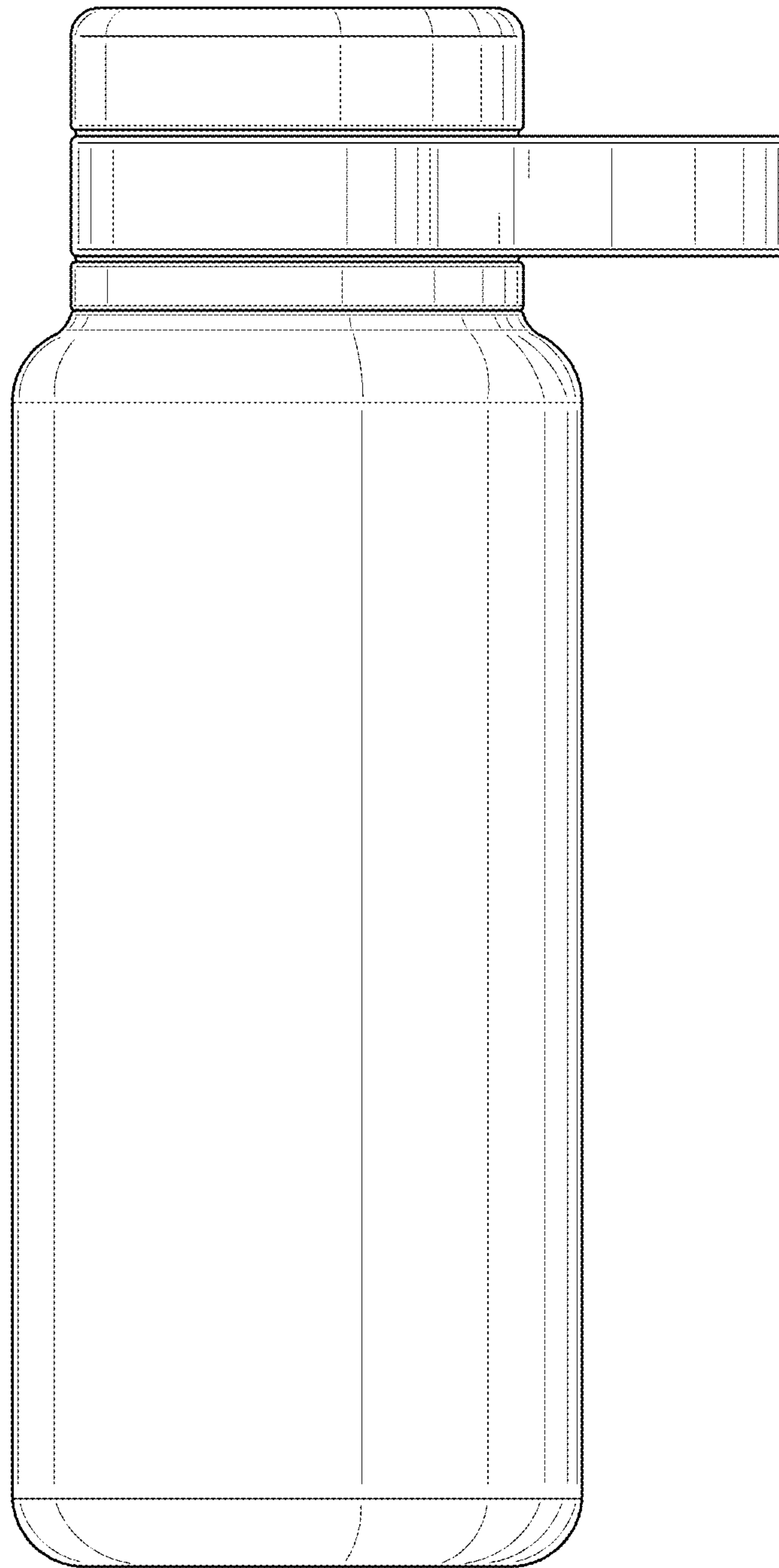


FIG. 3

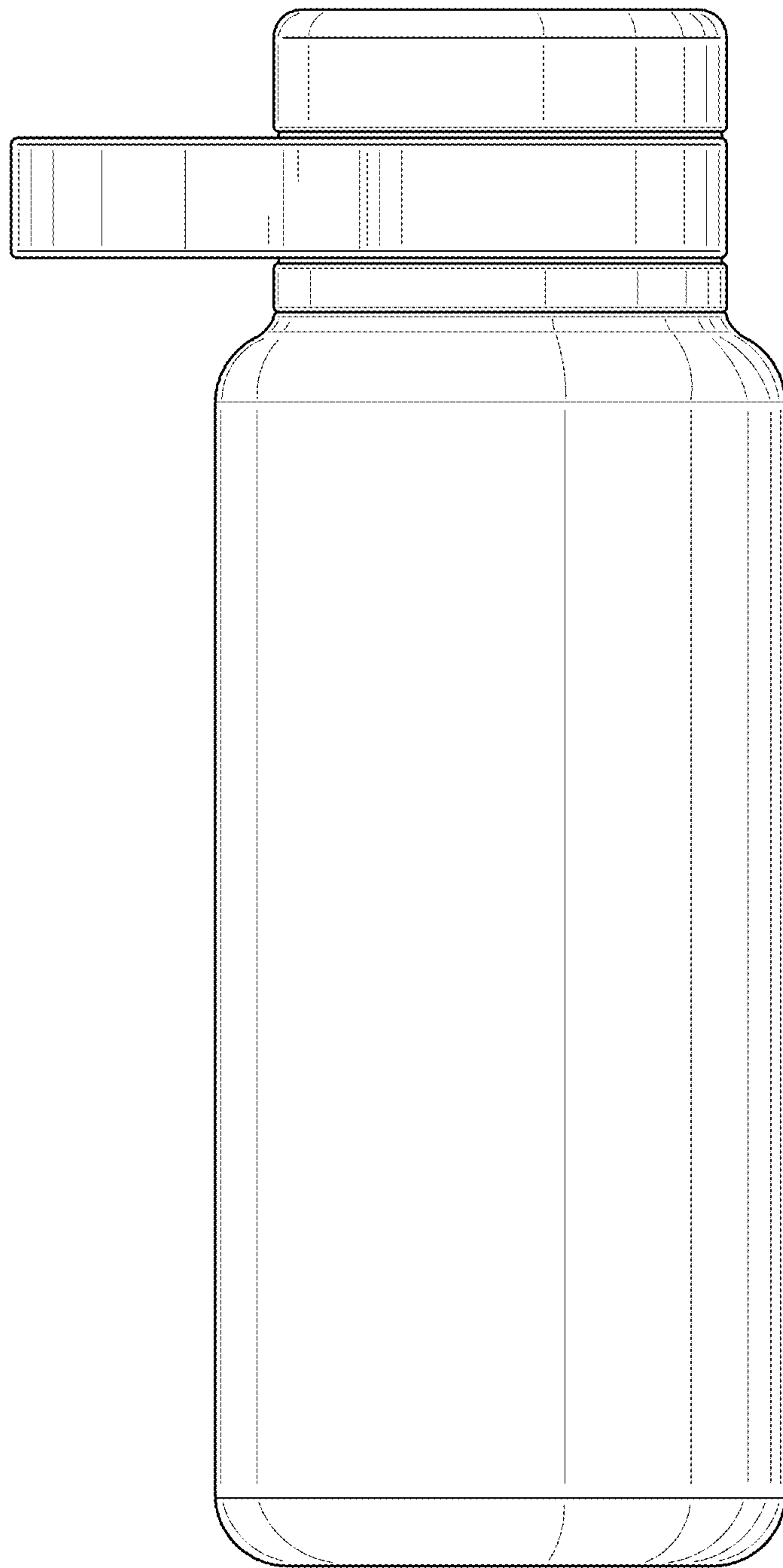


FIG. 4

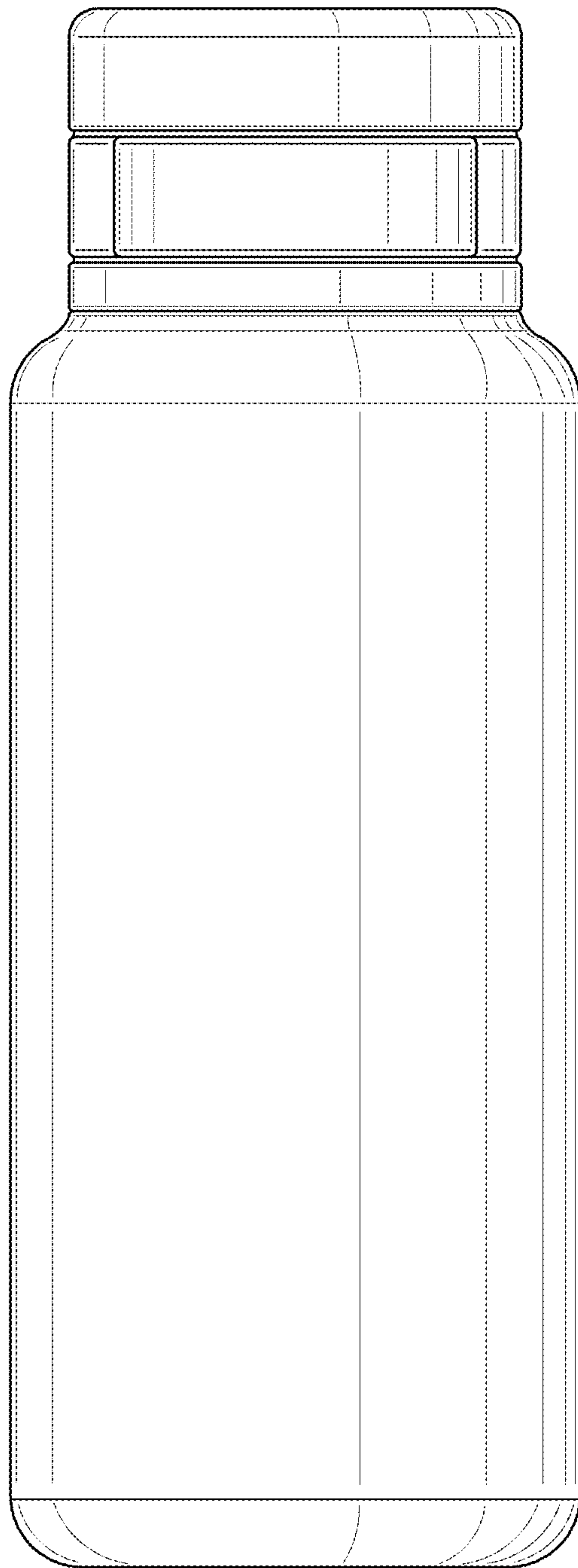


FIG. 5

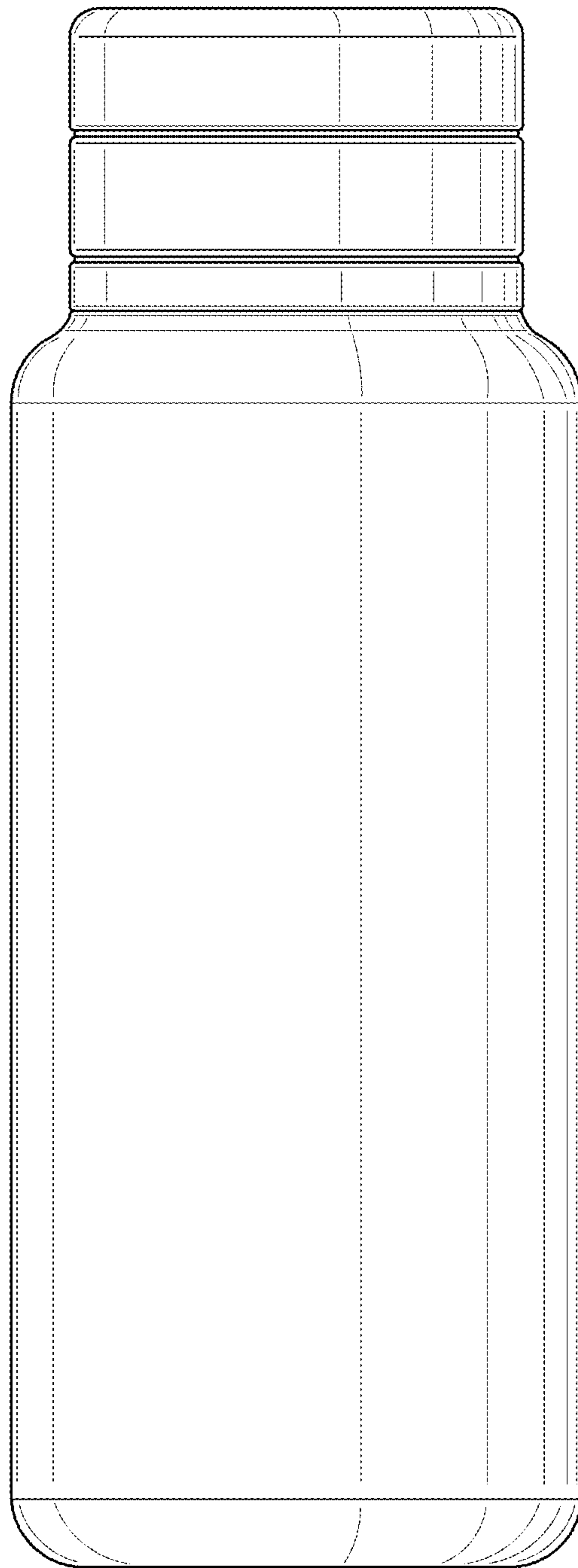


FIG. 6

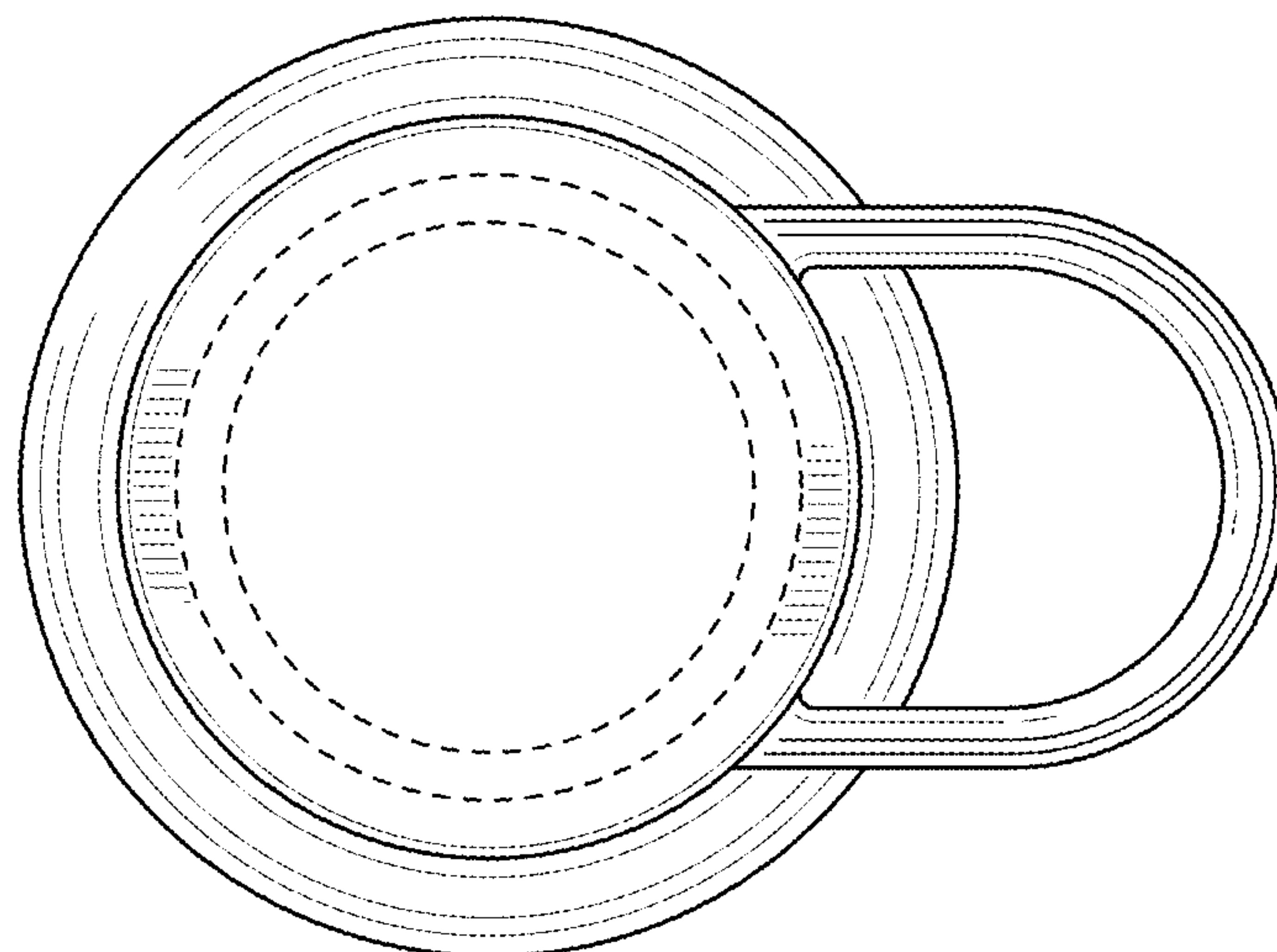


FIG. 7

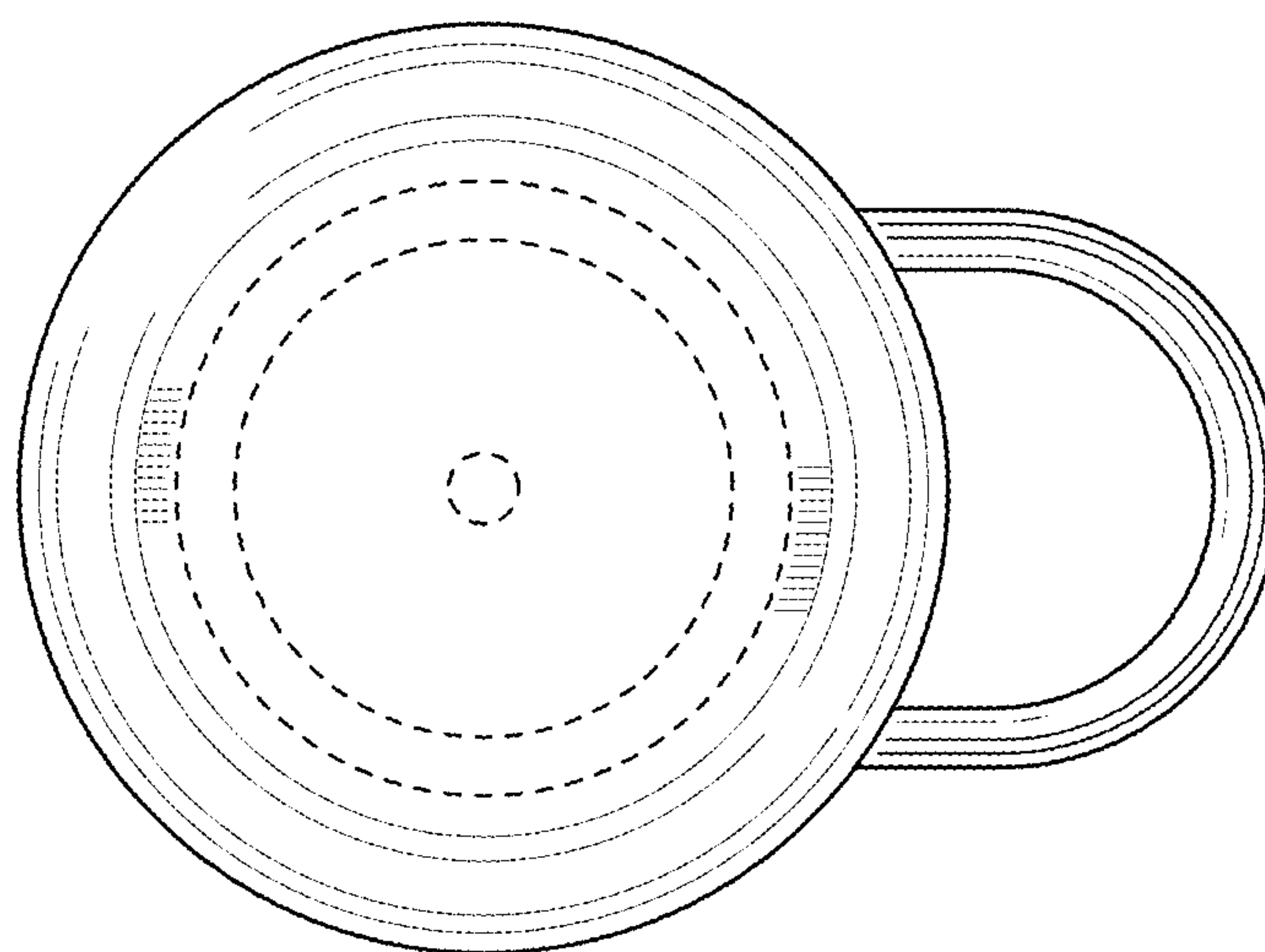


FIG. 8