



US00D791547S

(12) **United States Design Patent**
Malcolm et al.

(10) **Patent No.:** **US D791,547 S**
(45) **Date of Patent:** **** Jul. 11, 2017**

- (54) **PLATE WITH RECEPTACLE**
- (71) Applicants: **Carter T. Malcolm**, Ann Arbor, MI (US); **Jacqueline K. Malcolm**, Ann Arbor, MI (US)
- (72) Inventors: **Carter T. Malcolm**, Ann Arbor, MI (US); **Jacqueline K. Malcolm**, Ann Arbor, MI (US)
- (**) Term: **15 Years**
- (21) Appl. No.: **29/568,431**
- (22) Filed: **Jun. 17, 2016**
- (51) **LOC (10) Cl.** **07-01**
- (52) **U.S. Cl.**
USPC **D7/588; D7/585**
- (58) **Field of Classification Search**
USPC D7/500, 538, 505, 539, 543, 57, 581, D7/629, 585, 584, 588, 555, 566; D9/425, 424, 428; 220/810, 592.27, 574
CPC A47G 21/001; A47G 21/00; A47G 19/02
See application file for complete search history.

(56) **References Cited**

U.S. PATENT DOCUMENTS

- D94,964 S * 3/1935 Guild D7/587
- 2,095,686 A * 10/1937 Alfreds A21C 15/00
220/574
- D109,980 S * 6/1938 Guild D7/584
- D163,017 S * 4/1951 Blancheri D7/588
- D330,994 S * 11/1992 Rossari D7/586
- D374,592 S * 10/1996 Howell D7/549
- D378,794 S * 4/1997 Joyce D7/585
- 6,098,831 A * 8/2000 Dibble A47G 19/02
206/503
- D488,089 S * 4/2004 Sellers D11/164
- D706,082 S * 6/2014 Malcolm D7/558

- 8,794,686 B2 * 8/2014 Grieve A47G 23/0625
206/557
- D722,251 S * 2/2015 Morga D7/500
- 9,364,105 B2 * 6/2016 Malcolm A47G 19/025
- 2009/0194543 A1 * 8/2009 Farmer B65D 1/36
220/575
- 2012/0248124 A1 * 10/2012 Mitri A47G 19/06
220/574.1

* cited by examiner

Primary Examiner — Cynthia Underwood

(74) *Attorney, Agent, or Firm* — Brinks Gilson & Lione

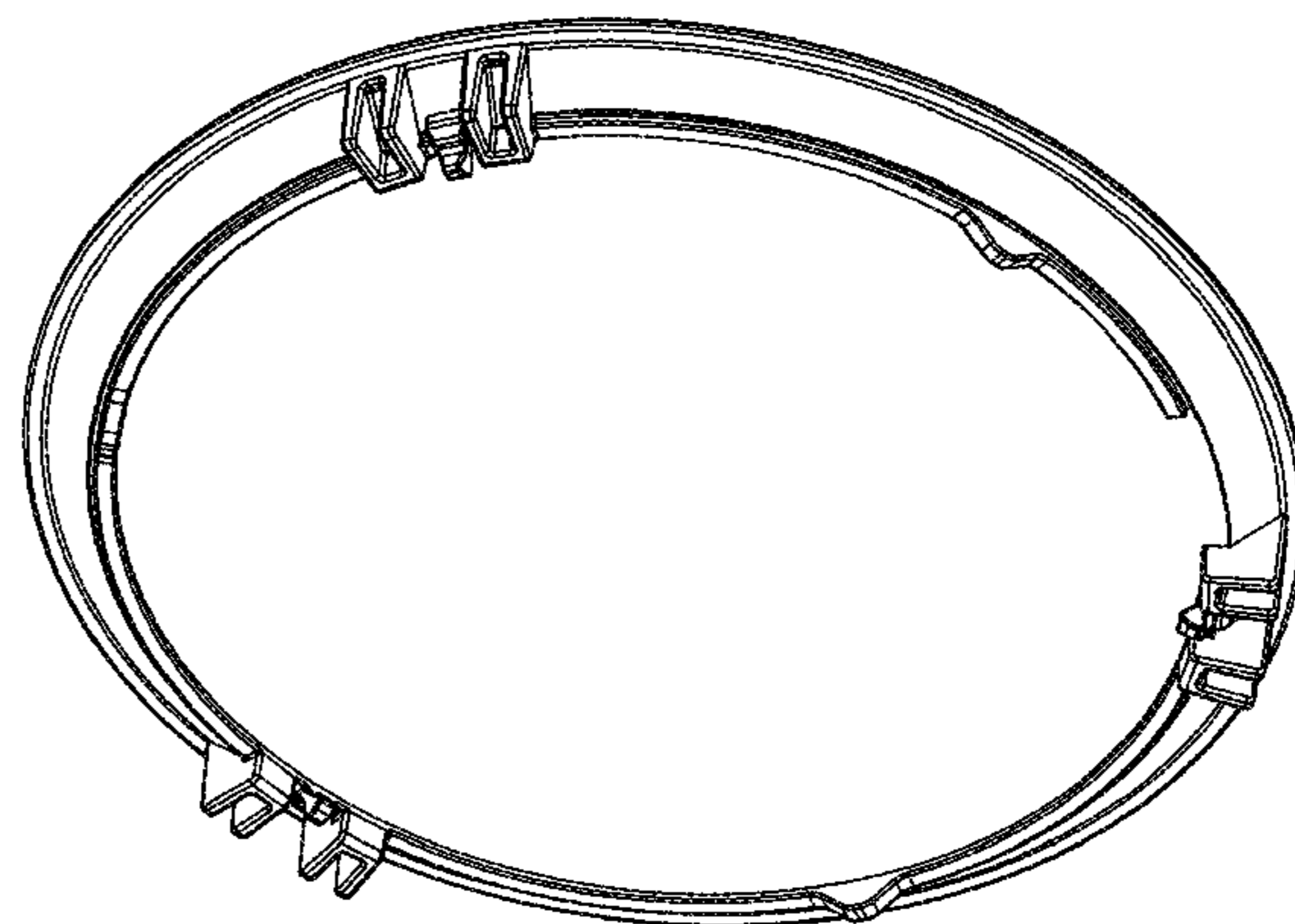
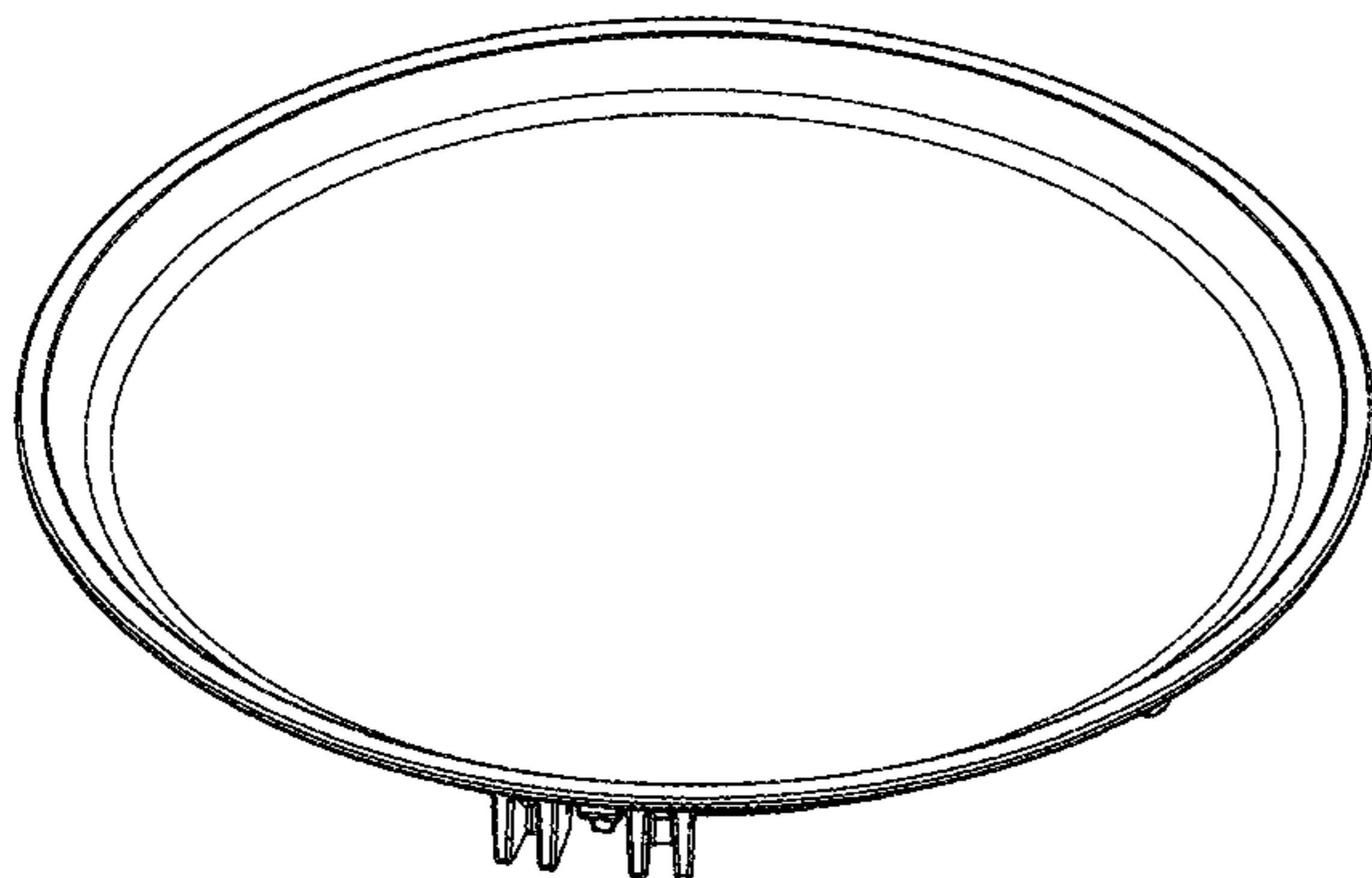
(57) **CLAIM**

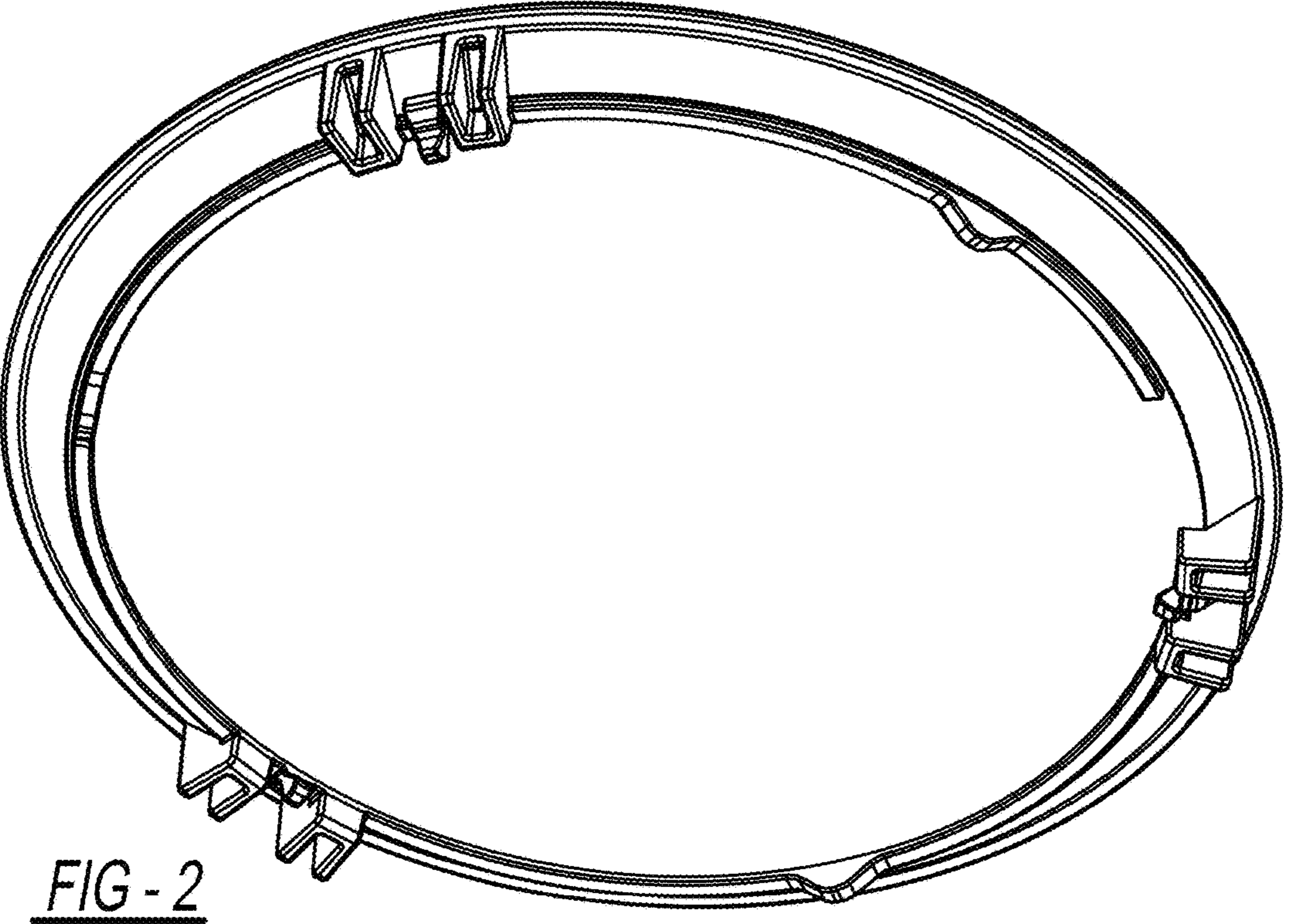
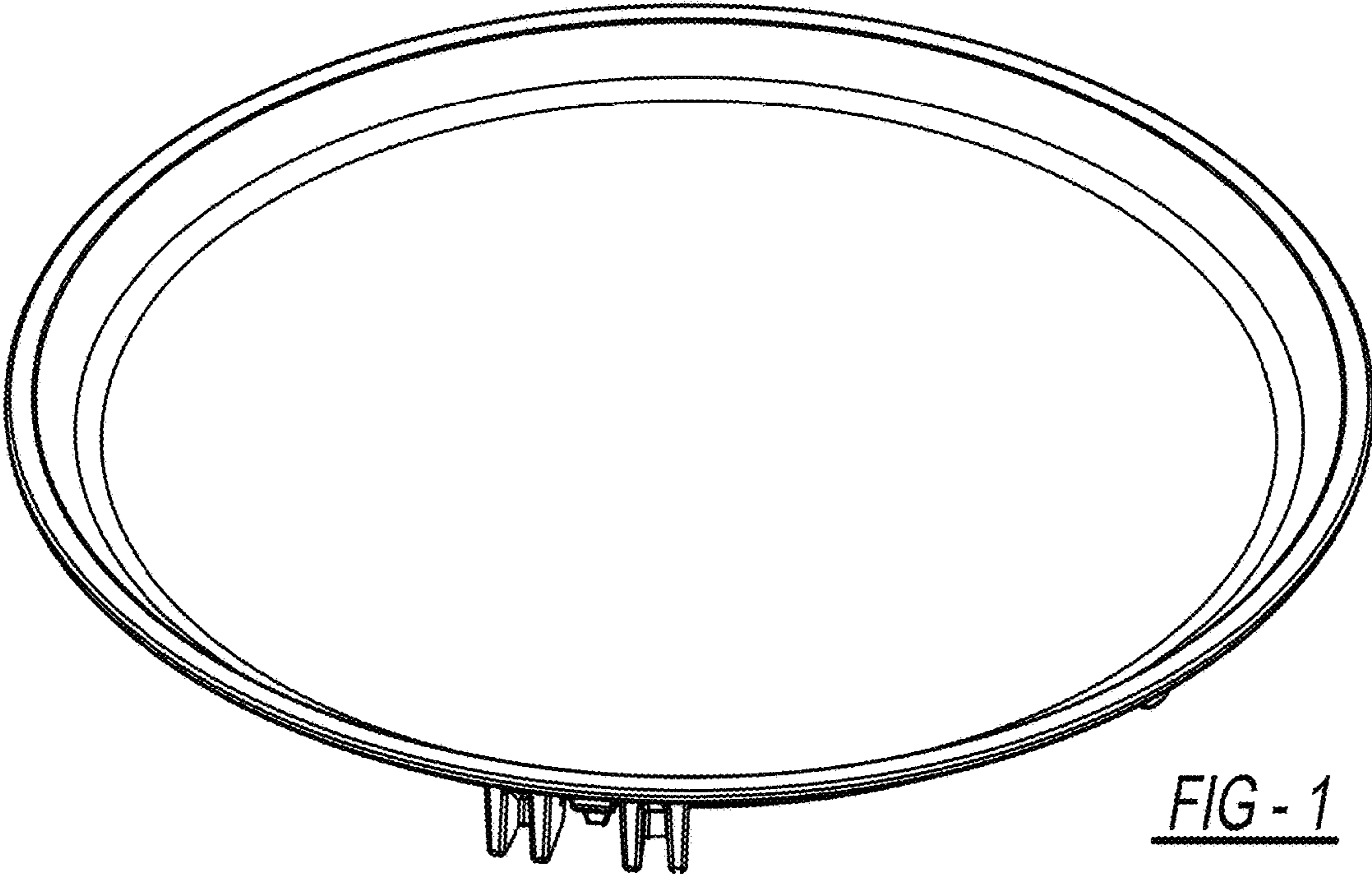
The ornamental design for a plate with receptacle, as shown and described.

DESCRIPTION

FIG. 1 is a top perspective view of the plate with receptacle of the present invention;
 FIG. 2 is a bottom perspective view of the plate with receptacle of the present invention;
 FIG. 3 is a top view of the plate with receptacle shown in FIG. 1;
 FIG. 4 is a front side view of the plate with receptacle shown in FIG. 1.
 FIG. 5 is a left side view of the plate with receptacle shown in FIG. 1;
 FIG. 6 is a back side view of the plate with receptacle shown in FIG. 1.
 FIG. 7 is a right side view of the plate with receptacle shown in FIG. 1; and,
 FIG. 8 is a bottom view of the plate with receptacle shown in FIG. 1.

1 Claim, 4 Drawing Sheets





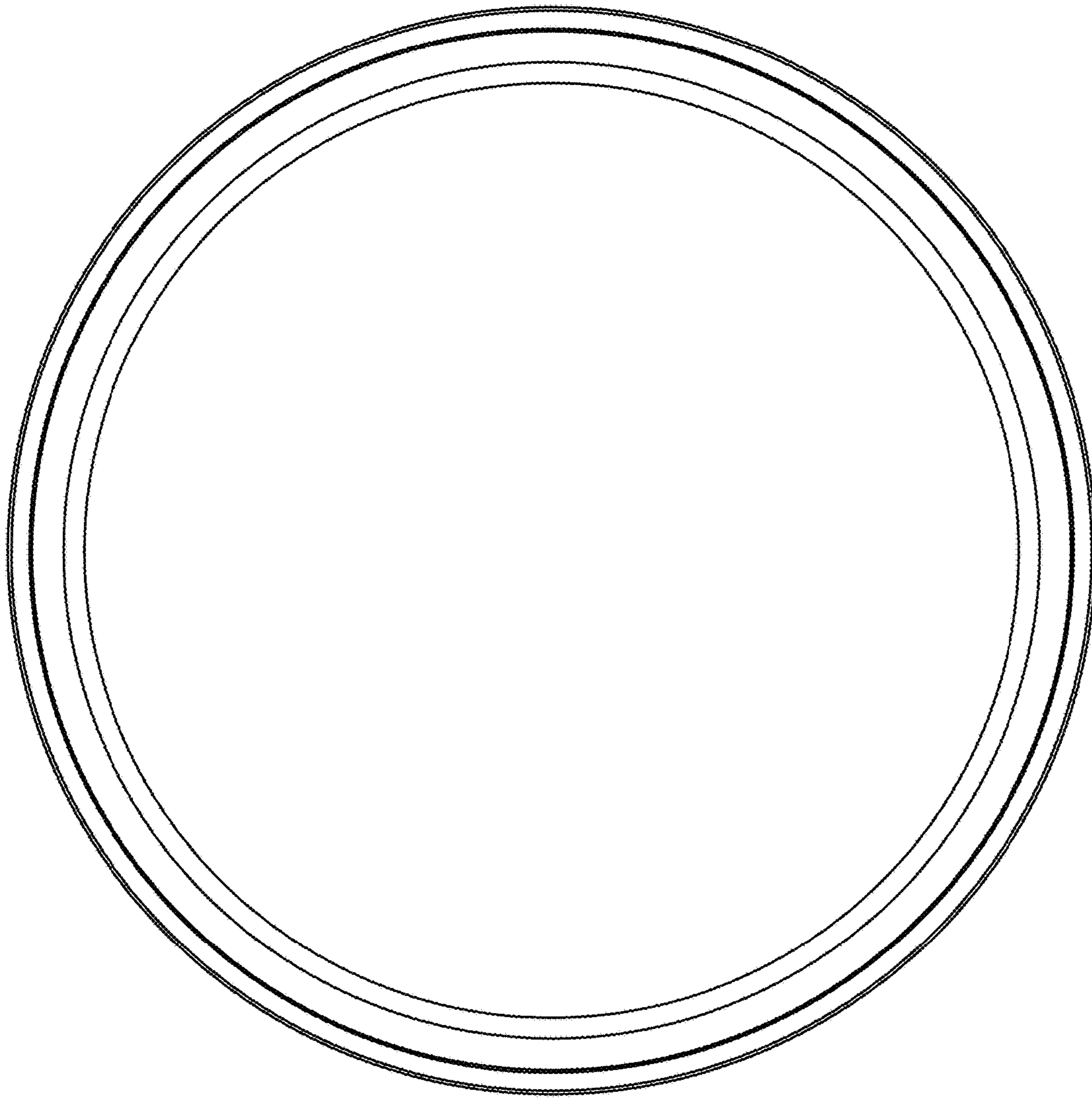


FIG - 3



FIG - 4

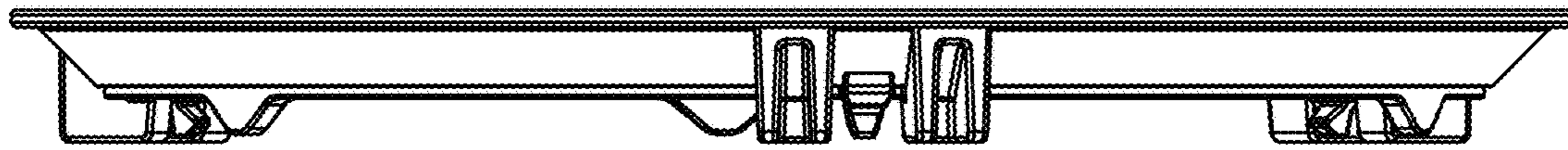


FIG - 5

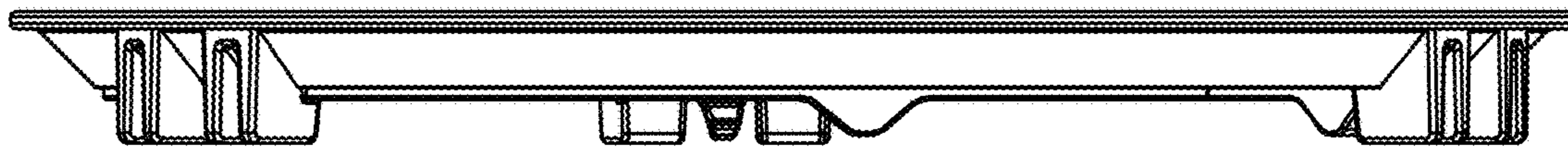


FIG - 6

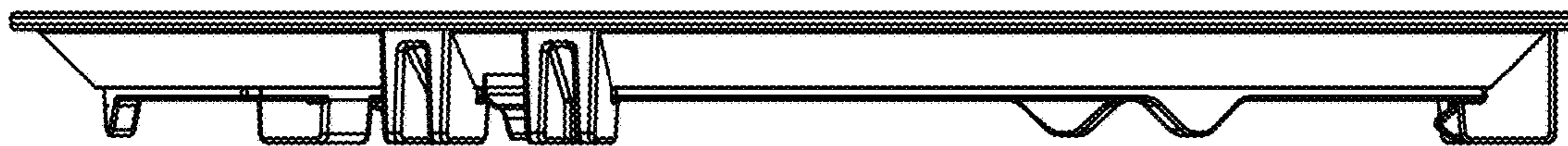


FIG - 7

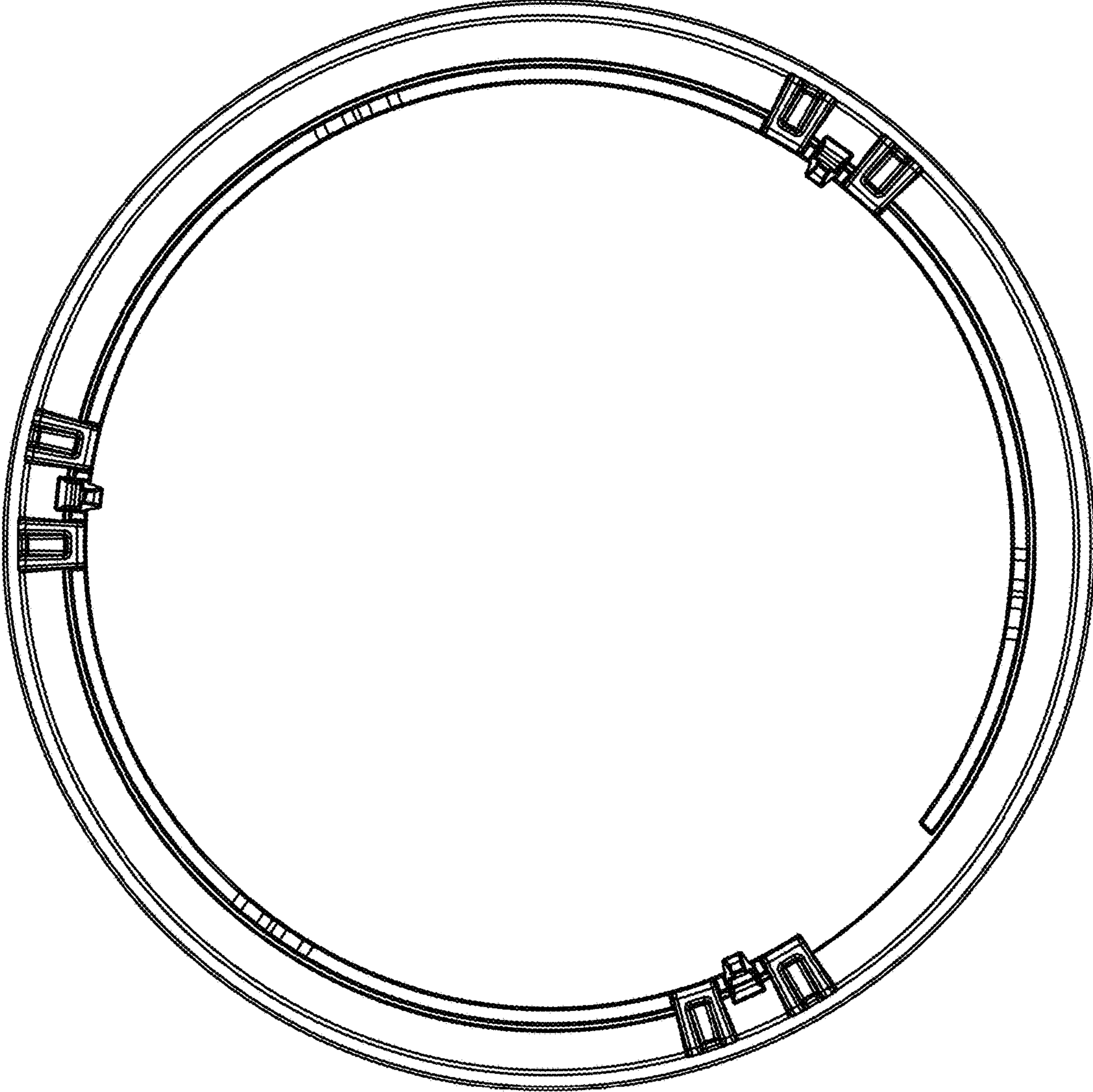


FIG - 8