



US00D791544S

(12) **United States Design Patent** (10) **Patent No.:** **US D791,544 S**
Dennis (45) **Date of Patent:** **** Jul. 11, 2017**

(54) **FLAT TRAY** 5,007,535 A * 4/1991 Meseke A61M 5/008
206/363
(71) Applicant: **Gilbert Dennis**, Mansfield, TX (US) D357,034 S * 4/1995 King D19/77
5,468,062 A * 11/1995 Finnegan A47B 88/90
(72) Inventor: **Gilbert Dennis**, Mansfield, TX (US) 312/298
D440,118 S * 4/2001 Claffy D7/553.1
(73) Assignee: **Gilbert Dennis**, Mansfield, TX (US) D600,504 S * 9/2009 Clark D7/553.5
D711,196 S * 8/2014 May D7/637
D712,939 S * 9/2014 Jeon D15/89
(**) Term: **15 Years** 2003/0006156 A1 * 1/2003 McCracken B44C 7/02
206/373
(21) Appl. No.: **29/558,344** 2010/0224531 A1 * 9/2010 Claffy A47G 23/06
206/561

(22) Filed: **Mar. 16, 2016**
(51) **LOC (10) Cl.** **07-01**
(52) **U.S. Cl.**
USPC **D7/553.2**
(58) **Field of Classification Search**
USPC D7/500, 505, 586-587, 545-546, 548,
D7/550.1, 553.1, 553.2, 601-602;
D3/304, 307, 314, 414
CPC B65D 1/34; B65D 21/00; B65D 21/0209;
B65D 1/00; A47B 23/002
See application file for complete search history.

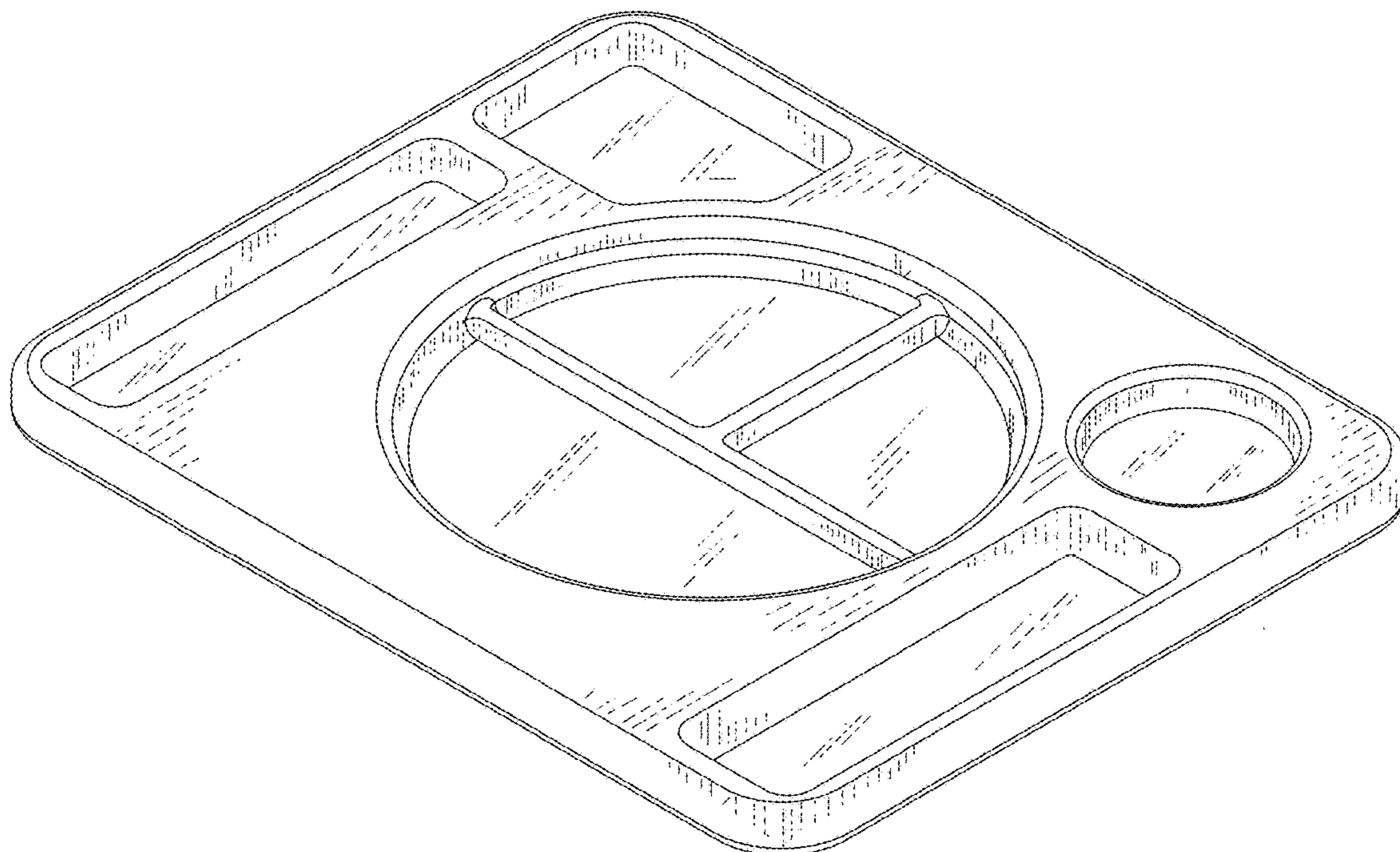
(56) **References Cited**
U.S. PATENT DOCUMENTS
D122,589 S * 9/1940 Bastress 220/575
3,148,636 A * 9/1964 Blomquist B65D 71/72
108/26
D253,628 S * 12/1979 Adamson D7/553.2
D300,496 S * 4/1989 Childress D12/133

* cited by examiner
Primary Examiner — Kelley Donnelly
(74) *Attorney, Agent, or Firm* — Sinorica, LLC

(57) **CLAIM**
The ornamental design for a flat tray, as shown and described.

DESCRIPTION
FIG. 1 is a perspective view of a flat tray showing my new design;
FIG. 2 is a front elevational view thereof;
FIG. 3 is a rear elevational view thereof;
FIG. 4 is a left side elevational view thereof;
FIG. 5 is a right side elevational view thereof;
FIG. 6 is a bottom plan view thereof; and,
FIG. 7 is a top plan view thereof.

1 Claim, 7 Drawing Sheets



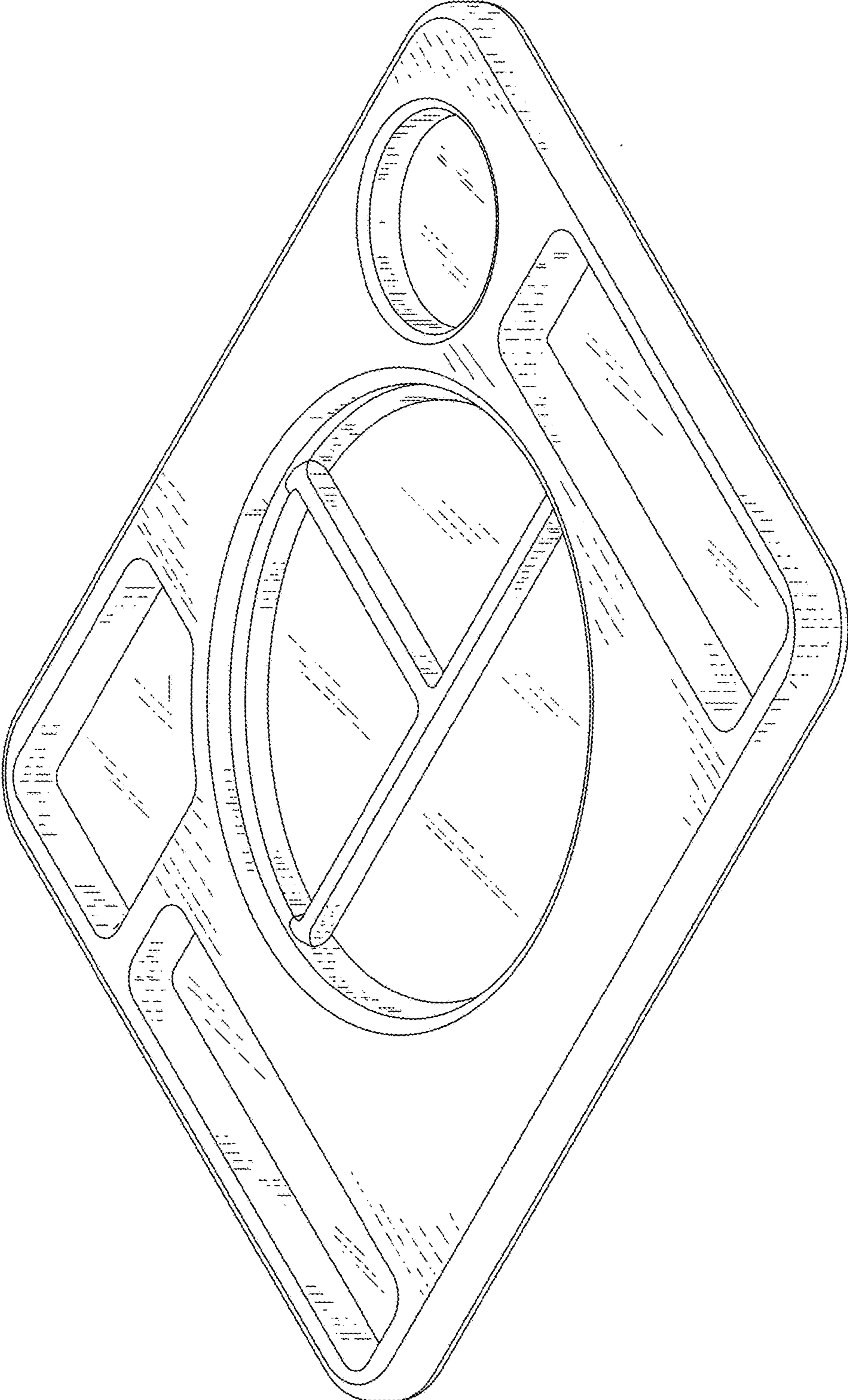


FIG. 1

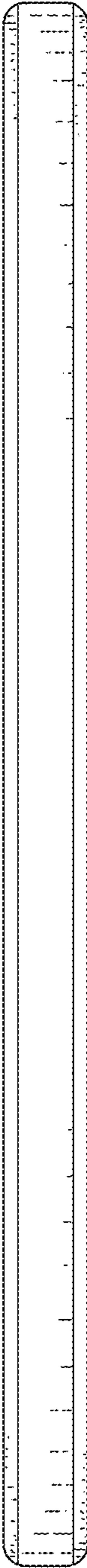


FIG. 2



FIG. 3



FIG. 4

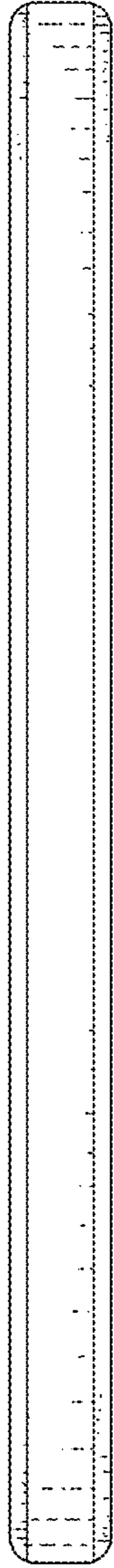


FIG. 5

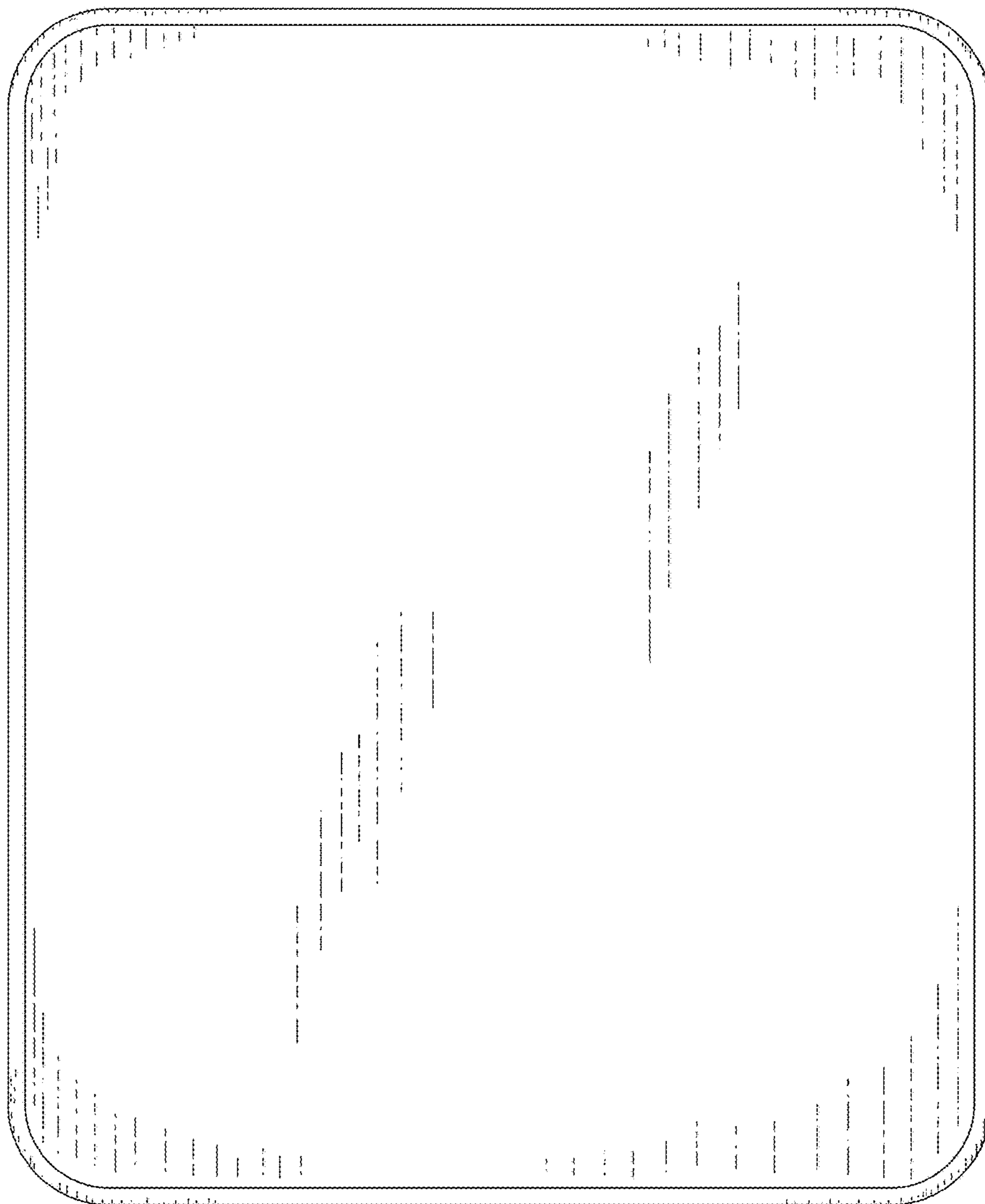


FIG. 6

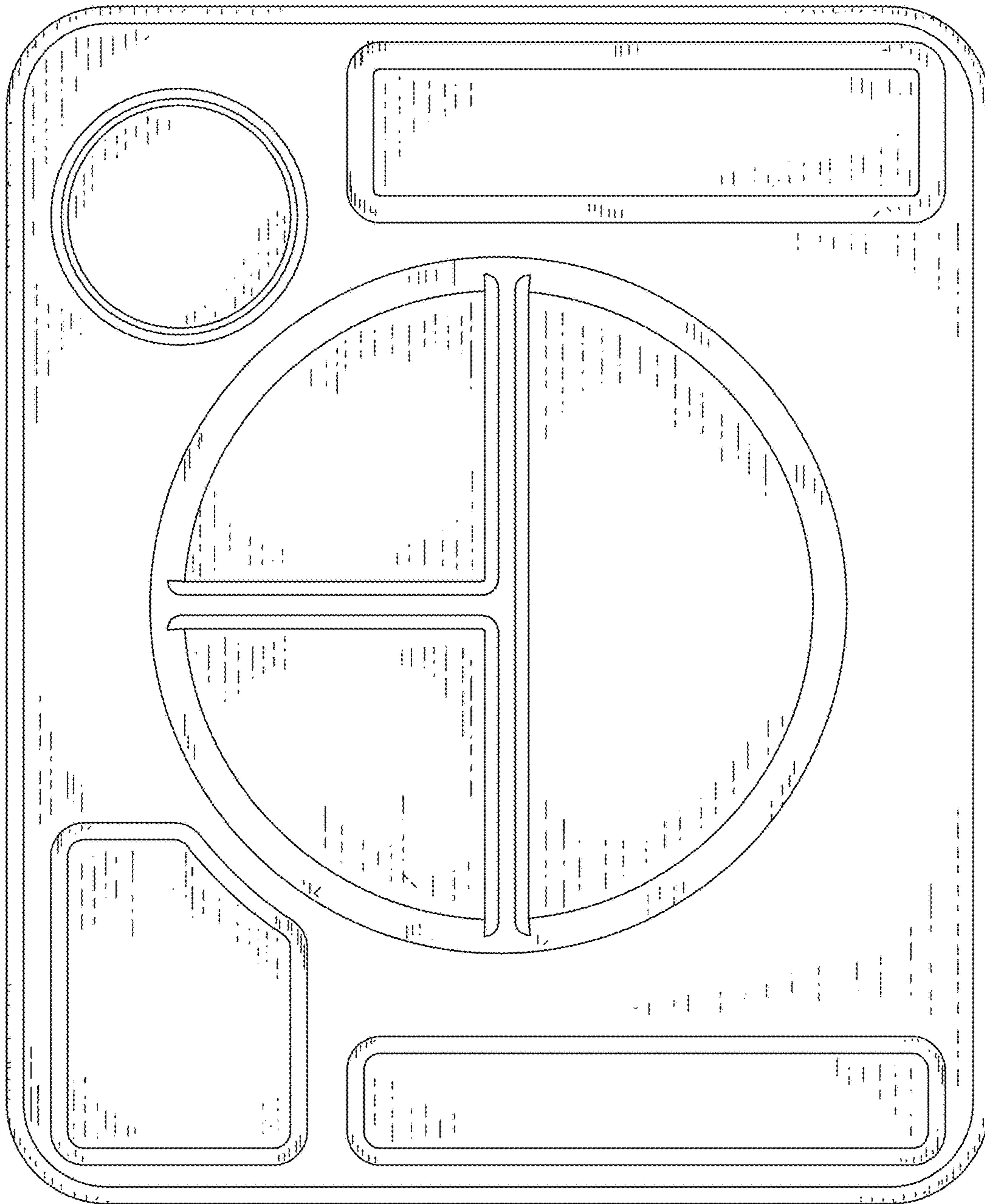


FIG. 7