



US00D791542S

(12) **United States Design Patent**
Miksovsky et al.

(10) **Patent No.:** **US D791,542 S**
(45) **Date of Patent:** **** Jul. 11, 2017**

(54) **BOTTLE WITH LID**

D478,005 S 8/2003 Sali
D528,910 S 9/2006 Kingsley
D530,200 S 10/2006 Kingsley
(Continued)

(71) Applicant: **humangear, Inc.**, San Francisco, CA
(US)

(72) Inventors: **Christopher A. Miksovsky**, San Francisco, CA (US); **Christopher Loew**, Palo Alto, CA (US); **Scott Cook**, Oakland, CA (US)

(73) Assignee: **humangear, Inc.**, San Francisco, CA
(US)

(**) Term: **15 Years**

(21) Appl. No.: **29/542,404**

(22) Filed: **Oct. 14, 2015**

(51) **LOC (10) Cl.** **07-01**

(52) **U.S. Cl.**
USPC **D7/510; D7/511; D7/532**

(58) **Field of Classification Search**
USPC D7/507, 509, 510, 511, 512, 523, 531,
D7/532, 533, 535, 536, 608, 392.1, 396.2,
D7/529, 667; D9/435, 436, 449, 442,
D9/443, 500, 502, 503, 504, 529, 447;
220/592.16, 592.17, 62.12, 703
CPC A45F 3/16; B65D 47/066; A47J 43/27;
A47G 19/2272; A47G 19/2211; A47G
19/22; A47G 19/2222

See application file for complete search history.

(56) **References Cited**

U.S. PATENT DOCUMENTS

2,155,329 A	4/1939	Perdue
D174,205 S	3/1955	Ward
D185,179 S	5/1959	Tupper
D193,121 S	6/1962	Wickman
3,181,725 A	5/1965	Friedl
D221,886 S	9/1971	Gruett
D280,802 S	10/1985	Cho
6,478,180 B1	11/2002	Dehn

OTHER PUBLICATIONS

Images of an Evive Station Water Bottle and Cap, prior to 2015.
(Continued)

Primary Examiner — Marianne Pandozzi

Assistant Examiner — Jae Liang

(74) *Attorney, Agent, or Firm* — Beyer Law Group LLP

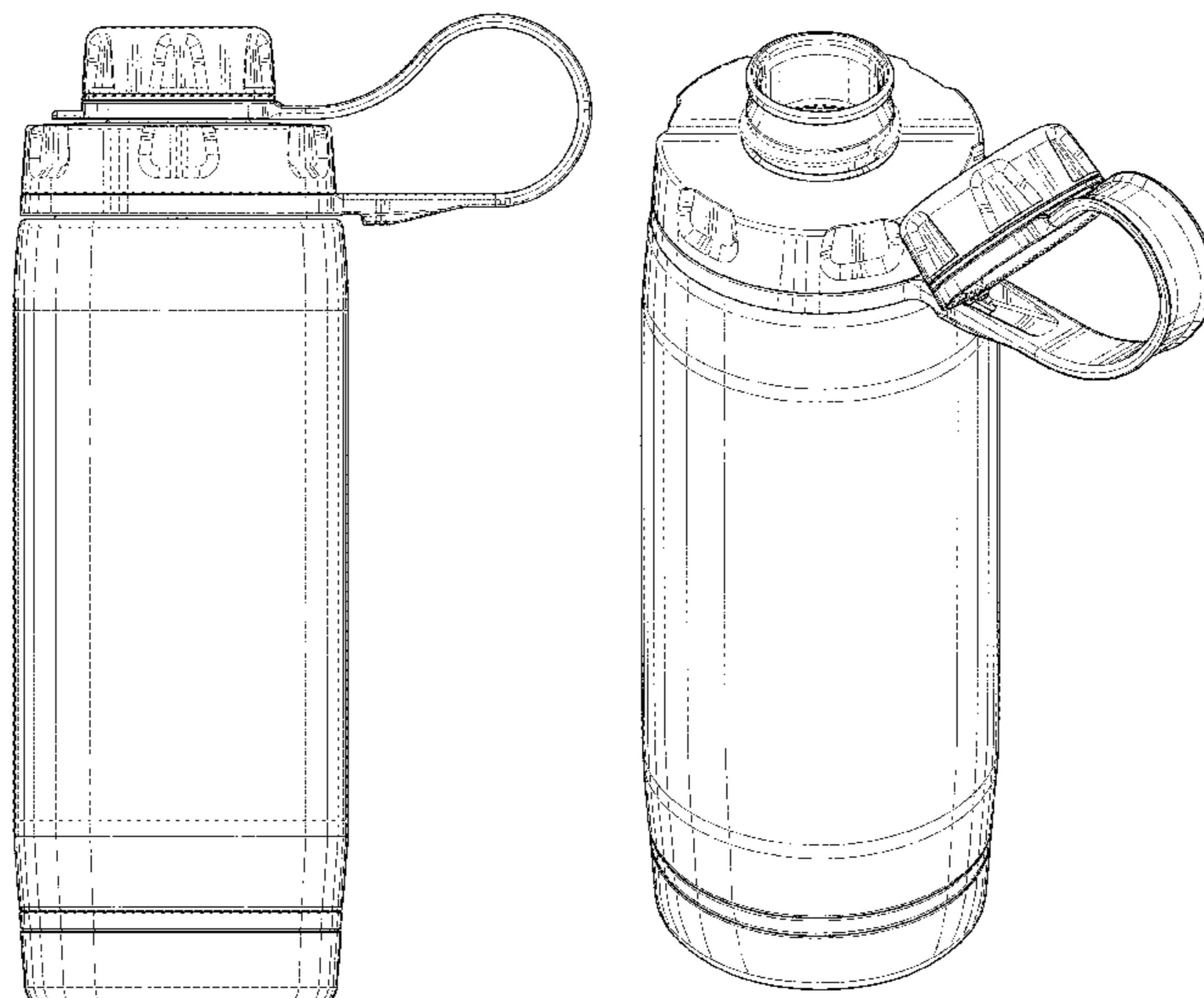
(57) **CLAIM**

The ornamental design for a bottle with lid, as shown and described.

DESCRIPTION

FIG. 1 is a top perspective view of a bottle with lid showing our new design;
FIG. 2 is a right side view thereof;
FIG. 3 is a left side view thereof;
FIG. 4 is a front view thereof;
FIG. 5 is a rear view thereof;
FIG. 6 is a top view thereof;
FIG. 7 is a bottom view thereof; and,
FIG. 8 is a perspective view thereof with the upper cap opened and positioned to the side of the lower cap. The broken lines in the drawing depict portions of the bottle with lid that form no part of the claimed design. A strap couples the upper cap portion of the lid to the lower cap portion of the lid. The perspective view of FIG. 1 shows the upper cap secured to and covering a spout portion of the lower cap. The perspective view of FIG. 8 shows the upper cap removed from the spout portion of the lower cap and stored to the side of the spout. The spout cannot be seen in FIG. 1, but is seen in FIG. 8. The position of the upper cap relative to the lower cap may vary within the constraints of the strap.

1 Claim, 8 Drawing Sheets



(56)

References Cited

U.S. PATENT DOCUMENTS

D569,458 S 5/2008 Nelson et al.
 D587,569 S 3/2009 Eveleth
 D596,458 S * 7/2009 McKinney D7/510
 D605,942 S 12/2009 Miksovsky
 D609,969 S * 2/2010 McKinney D7/510
 D619,001 S * 7/2010 McKinney D9/446
 D638,658 S * 5/2011 Staton D7/392
 D651,044 S * 12/2011 Gilbert D7/510
 D657,194 S * 4/2012 McIntire D7/510
 D658,446 S * 5/2012 George D7/511
 D660,648 S * 5/2012 Gilbert D7/510
 D680,805 S * 4/2013 Rosbach D7/392.1
 D724,894 S * 3/2015 Brosius D7/510
 D727,685 S * 4/2015 He D7/510
 D730,119 S * 5/2015 He D7/507
 D758,189 S * 6/2016 Roth D7/392.1
 D758,800 S * 6/2016 Hayslett D7/300.1
 D761,624 S * 7/2016 McLean D7/507

D767,390 S * 9/2016 Miksovsky D7/392.1
 D769,671 S * 10/2016 Bielawski D7/392.1
 D772,652 S * 11/2016 Yao D7/510
 2008/0087624 A1 4/2008 Buckley
 2009/0236341 A1 9/2009 McKinney et al.
 2016/0159538 A1 * 6/2016 Michie A45F 3/16
 215/306

OTHER PUBLICATIONS

Camelbak, "Chute" Water Bottle, http://shop.camelbak.com/chute-insulated-61/d/1370_cl_5985, prior to 2016.
 Camelback "Chute" Cap, http://shop.camelbak.com/chute-cap/d/1326_cl_5343, prior to 2016.
 Miksovsky et al, Design U.S. Appl. No. 29/542,405, filed Oct. 14, 2015.
 Miksovsky et al, Design U.S. Appl. No. 29/542,403, filed Oct. 14, 2015.

* cited by examiner

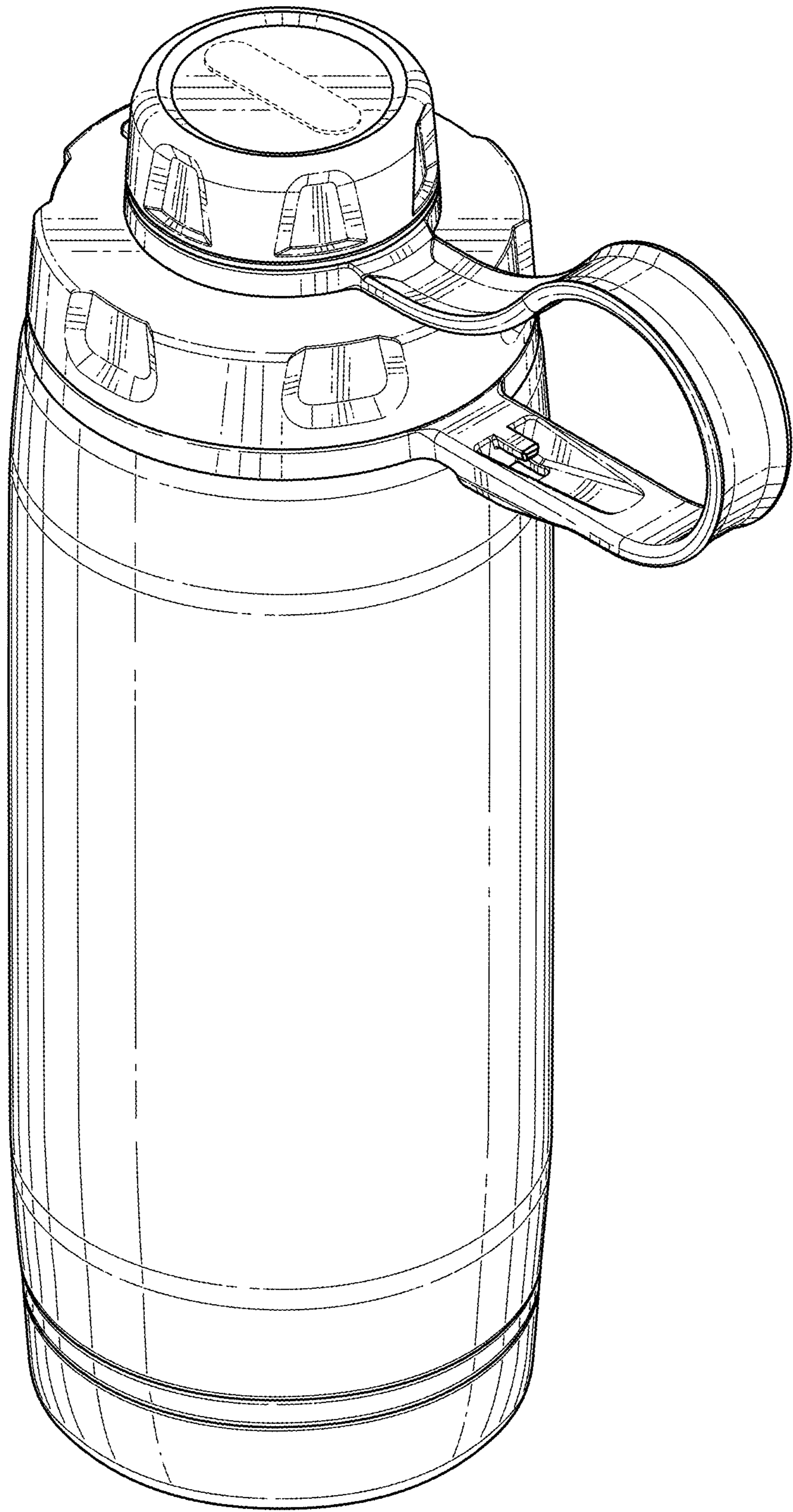


FIG. 1

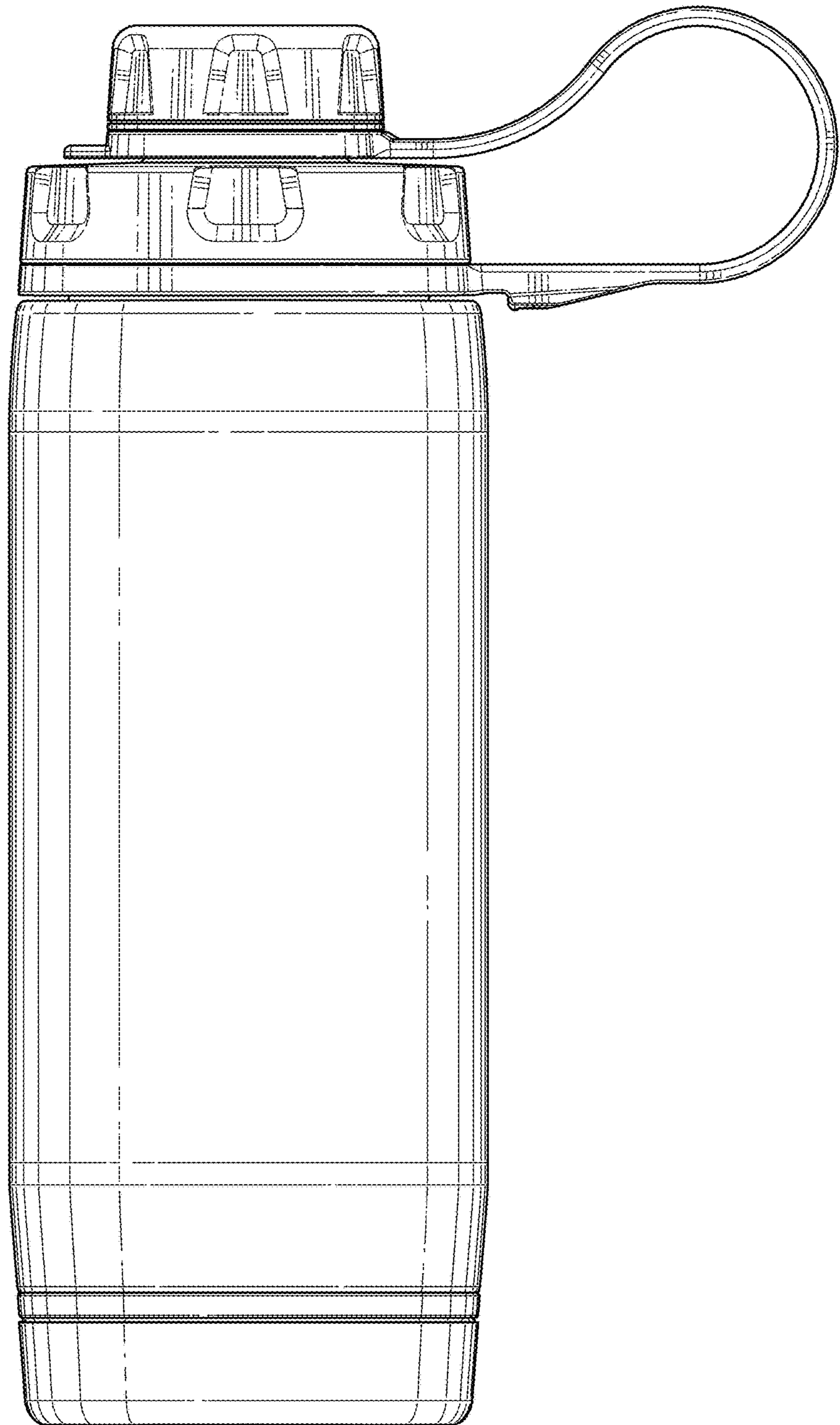


FIG. 2

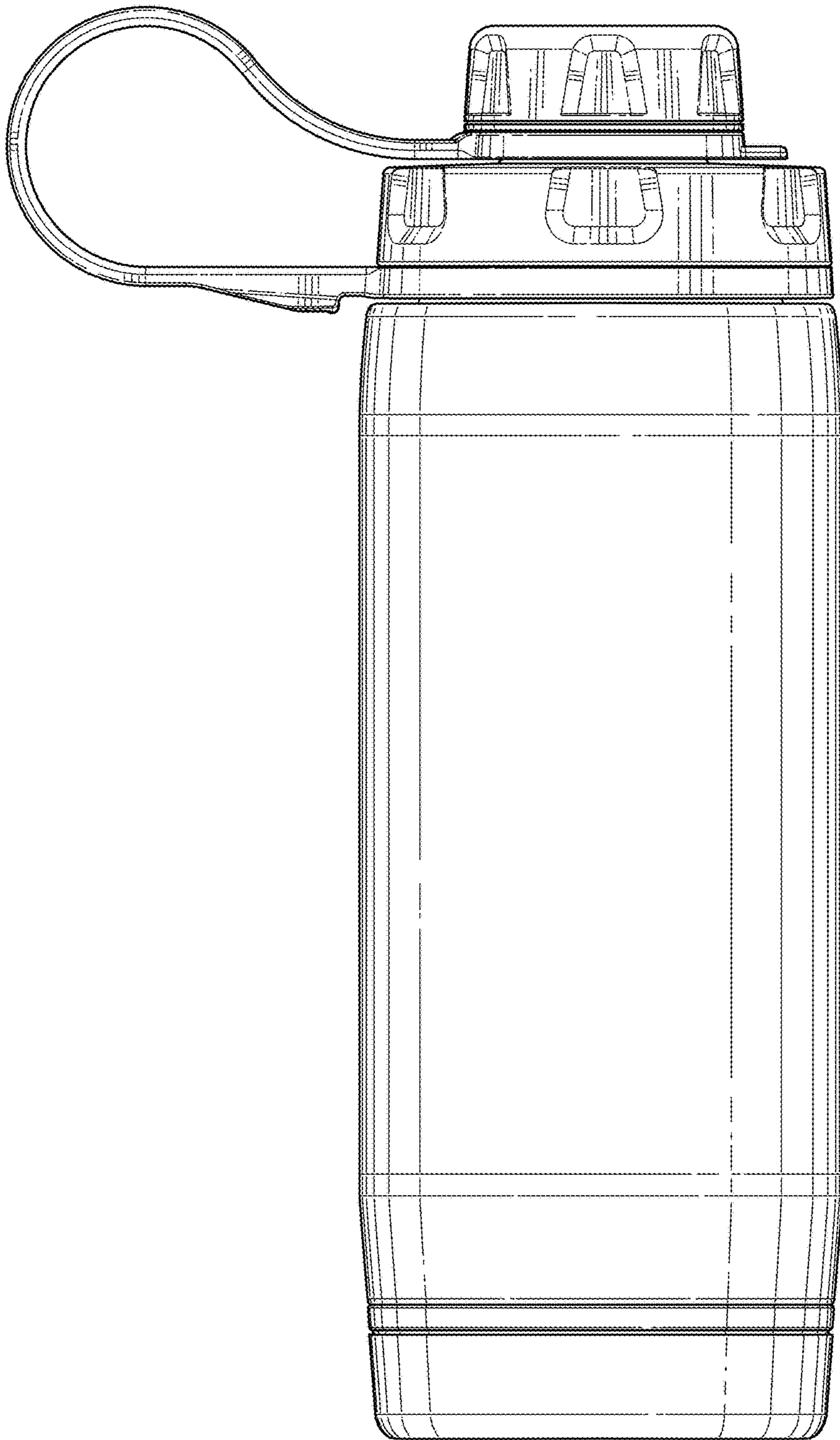


FIG. 3

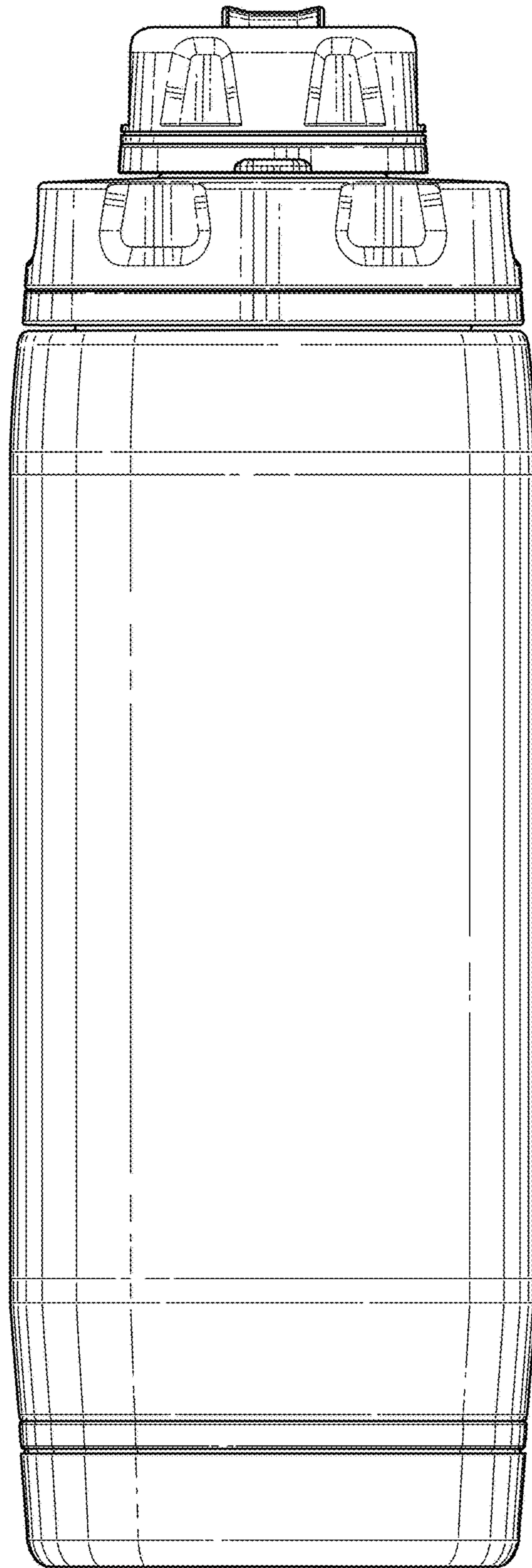


FIG. 4

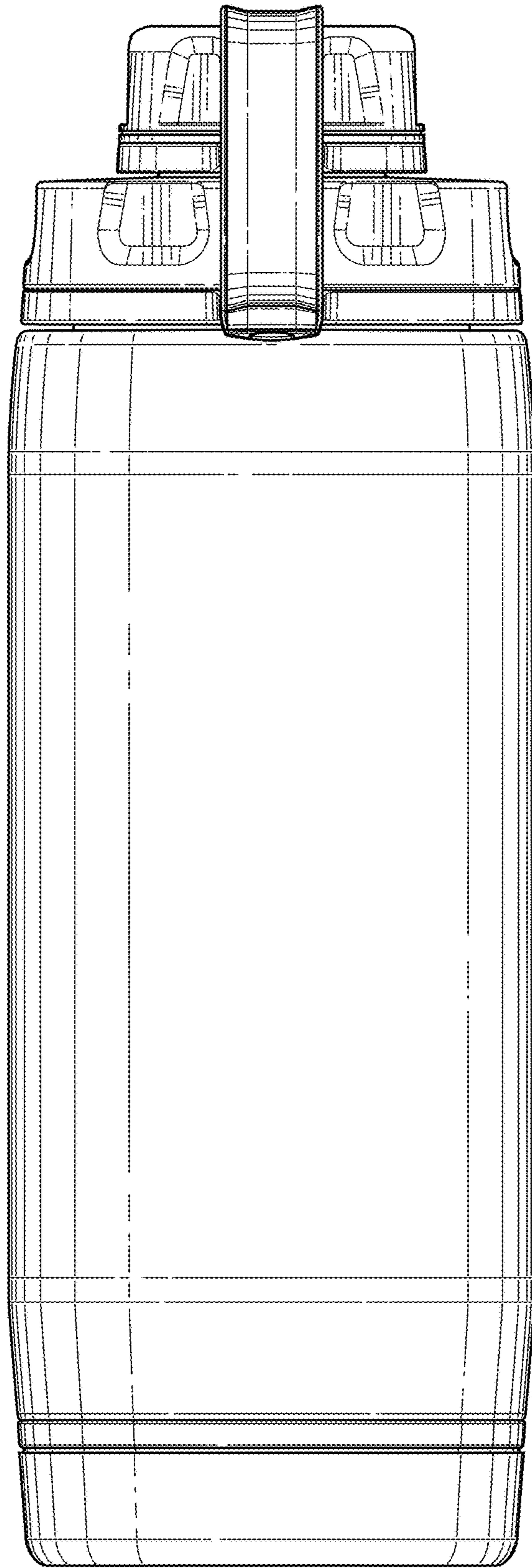


FIG. 5

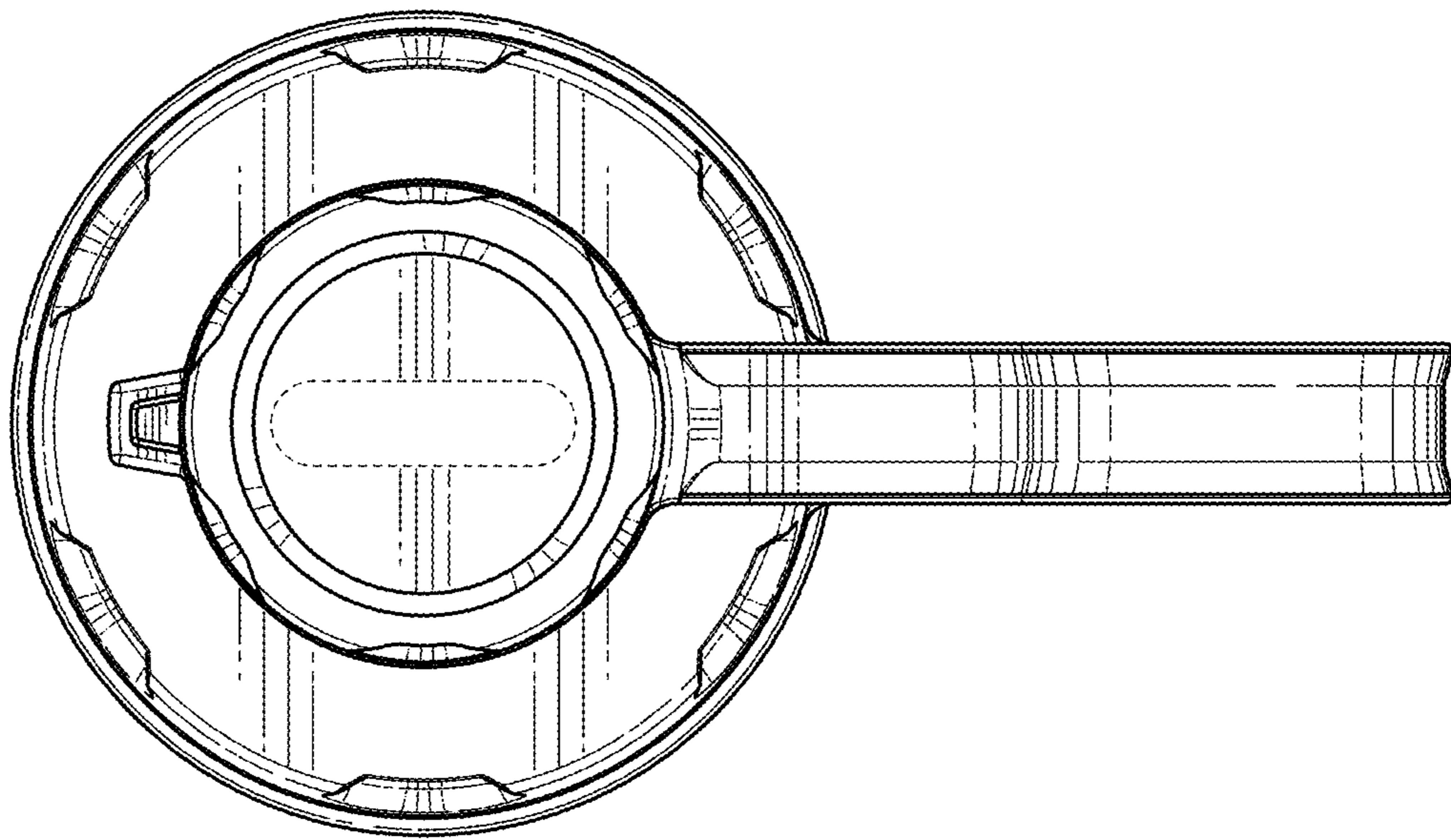


FIG. 6

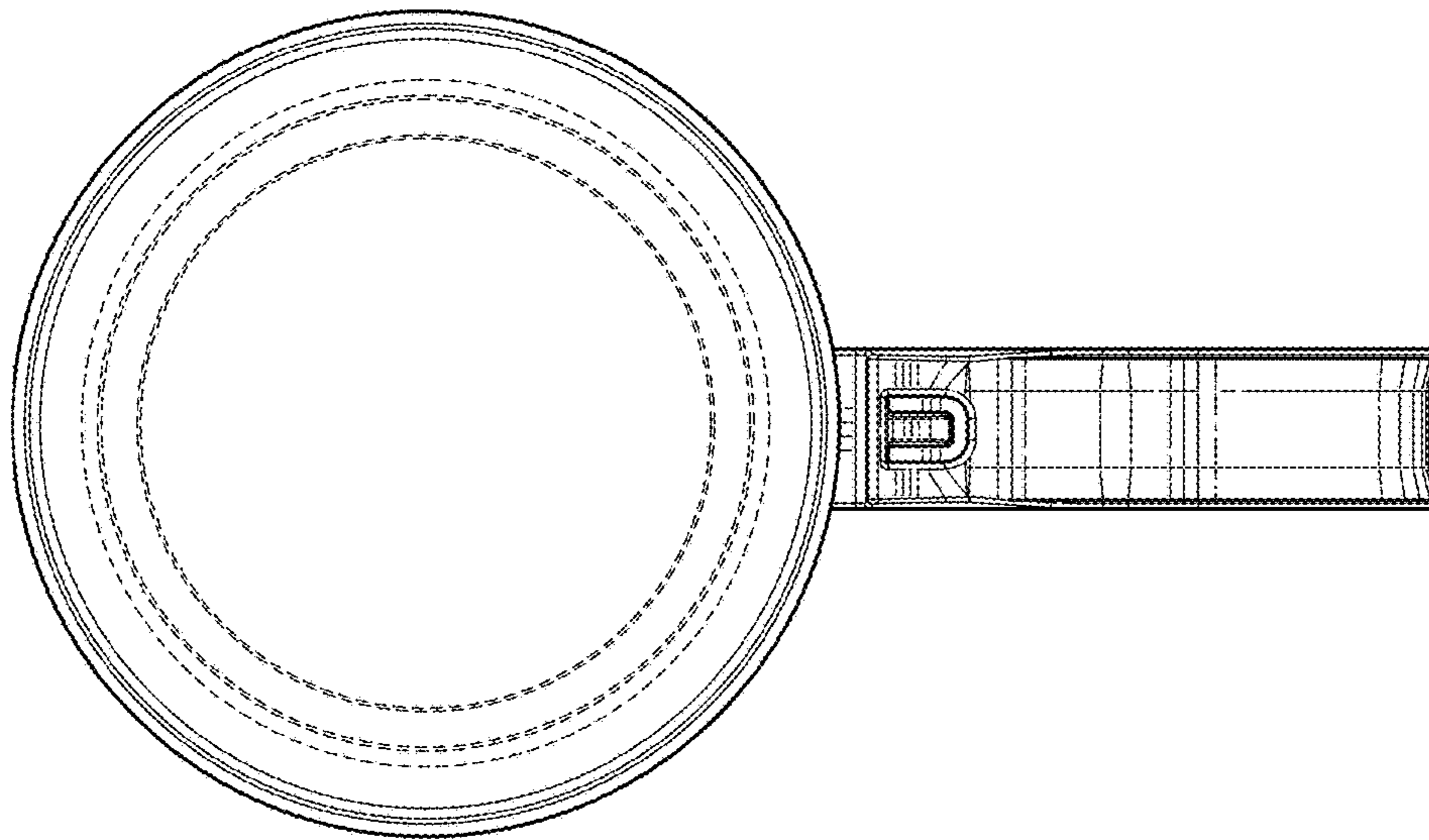


FIG. 7

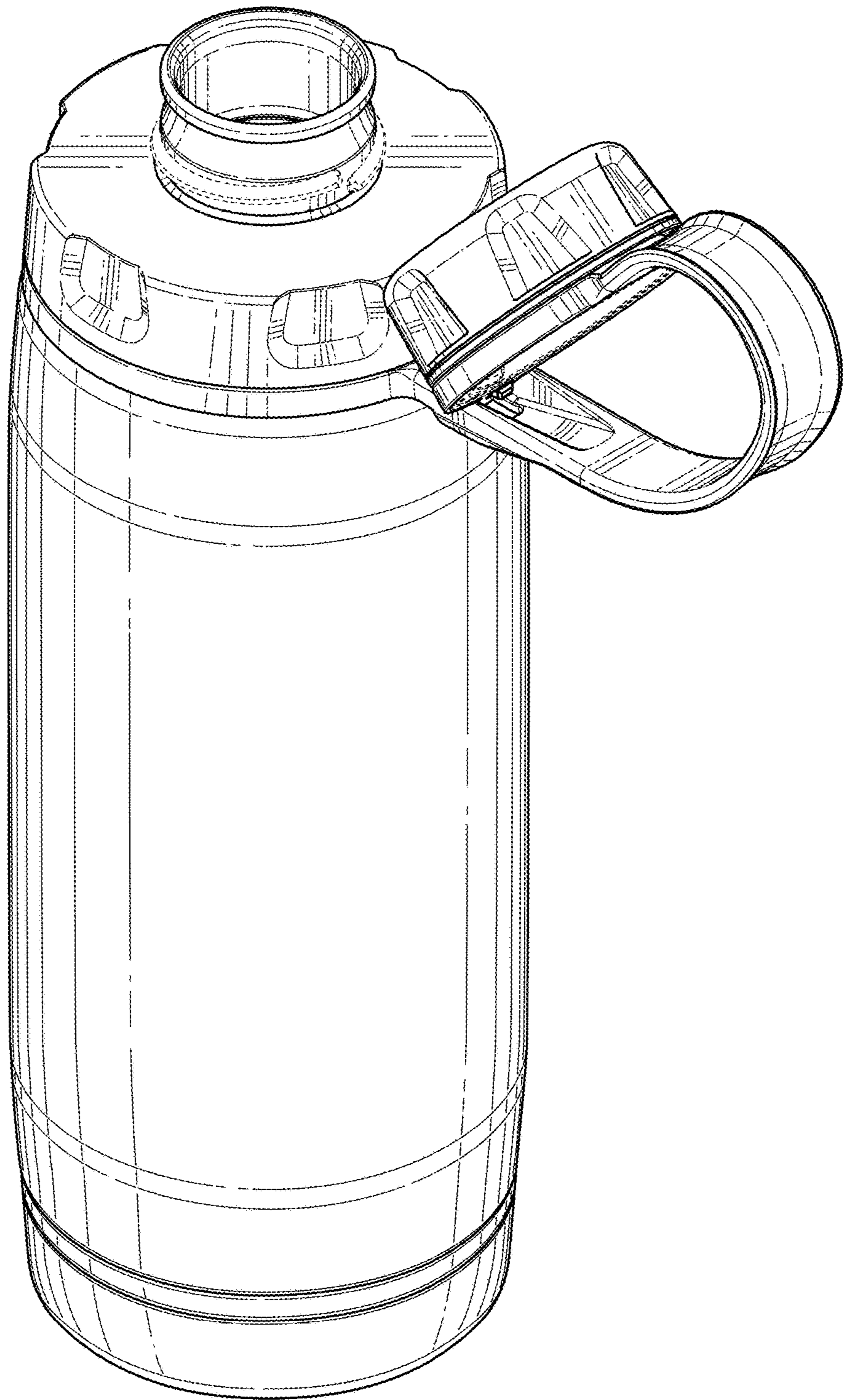


FIG. 8