



US00D791541S

(12) **United States Design Patent** (10) **Patent No.:** **US D791,541 S**
Stumph et al. (45) **Date of Patent:** **** Jul. 11, 2017**

(54) **BLENDING JAR**
(71) Applicant: **BlendTec, Inc.**, Orem, UT (US)
(72) Inventors: **Fletcher Randolph Stumph**, Lehi, UT (US); **Sterling O. Kingdon**, Cedar Hills, UT (US); **Joseph O. Jacobsen**, American Fork, UT (US)
(73) Assignee: **BLENDTEC, INC.**, Orem, UT (US)
(**) Term: **15 Years**

(21) Appl. No.: **29/569,545**
(22) Filed: **Jun. 28, 2016**
(51) **LOC (10) Cl.** **31-00**
(52) **U.S. Cl.**
USPC **D7/413; D7/376; D7/378; D7/412**
(58) **Field of Classification Search**
USPC D7/318, 372, 376-386, 412-413, 602, D7/629, 665-666, 669, 679, 693-694
CPC A21C 1/02; A21C 1/04; A23N 1/00; A23N 1/02; A47J 43/04; A47J 43/25; A47J 43/27; A47J 43/042; A47J 43/044; A47J 43/046; A47J 43/075; A47J 43/0722; A47J 43/0727; B01F 3/00; B01F 3/0807; B01F 3/0853; B01F 13/0059; B01F 13/0064; B02C 1/08; B02C 2/04; B02C 4/42; B02C 4/142; B02C 4/143; B02C 4/423; B02C 13/1835; B28C 5/10; B28C 5/12; B28C 5/14; B28C 5/16
See application file for complete search history.

(56) **References Cited**
U.S. PATENT DOCUMENTS
D163,117 S * 5/1951 Hobbs D7/318
3,368,800 A * 2/1968 Barnard, Jr. A47J 43/046
241/282.2

D227,535 S * 7/1973 Grimes D7/318
D228,698 S * 10/1973 Barnard et al. D7/378
D350,451 S * 9/1994 Dickson D7/376
D429,956 S * 8/2000 Bohannon, Jr. D7/413
D480,915 S * 10/2003 Kolar D7/413
D528,363 S * 9/2006 Ulanski D7/413
D588,406 S * 3/2009 Ulanski D7/413
D621,656 S * 8/2010 Ulanski D7/378
D742,172 S * 11/2015 Dickson, Jr. D7/376
9,420,915 B2 * 8/2016 Dickson, Jr. A47J 43/046
2006/0261066 A1 * 11/2006 Boozer A47J 43/0727
220/254.7

* cited by examiner

Primary Examiner — Ricky Pham
(74) *Attorney, Agent, or Firm* — Holland & Hart

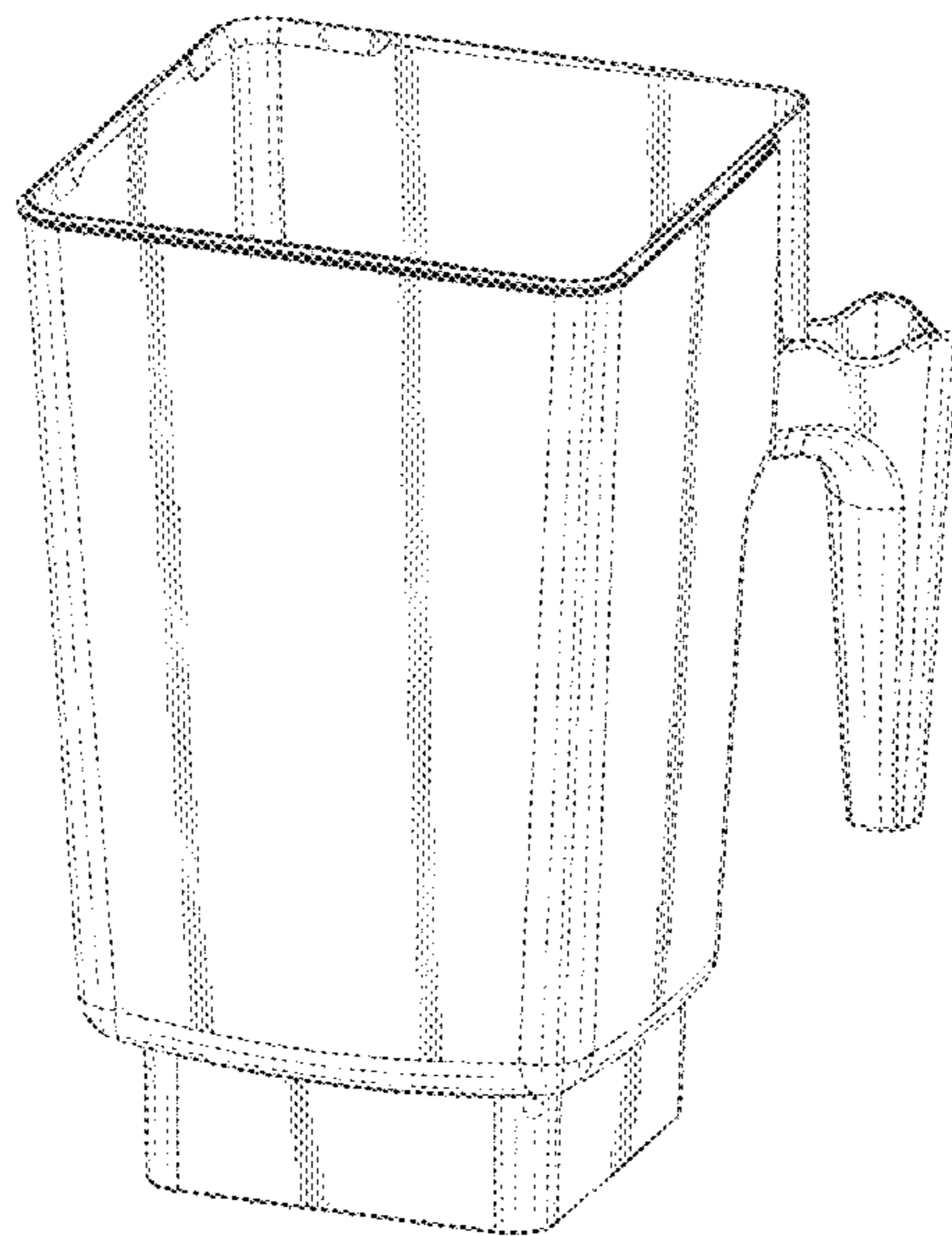
(57) **CLAIM**

The ornamental design for a “blending jar,” as shown and described.

DESCRIPTION

FIG. 1 is a top perspective view of a blending jar according to the present invention;
FIG. 2 is an elevated top perspective view thereof;
FIG. 3 is a bottom perspective view thereof;
FIG. 4 is a front view thereof;
FIG. 5 is a rear view thereof;
FIG. 6 is a right side view thereof;
FIG. 7 is a left side view thereof;
FIG. 8 is a top view thereof;
FIG. 9 is a bottom view thereof; and,
FIG. 10 is a sectional side view, taken along the line 10-10 of FIG. 9, thereof.
The broken lines shown in the drawings are for illustrative purposes only and form no part of the claimed design.

1 Claim, 10 Drawing Sheets



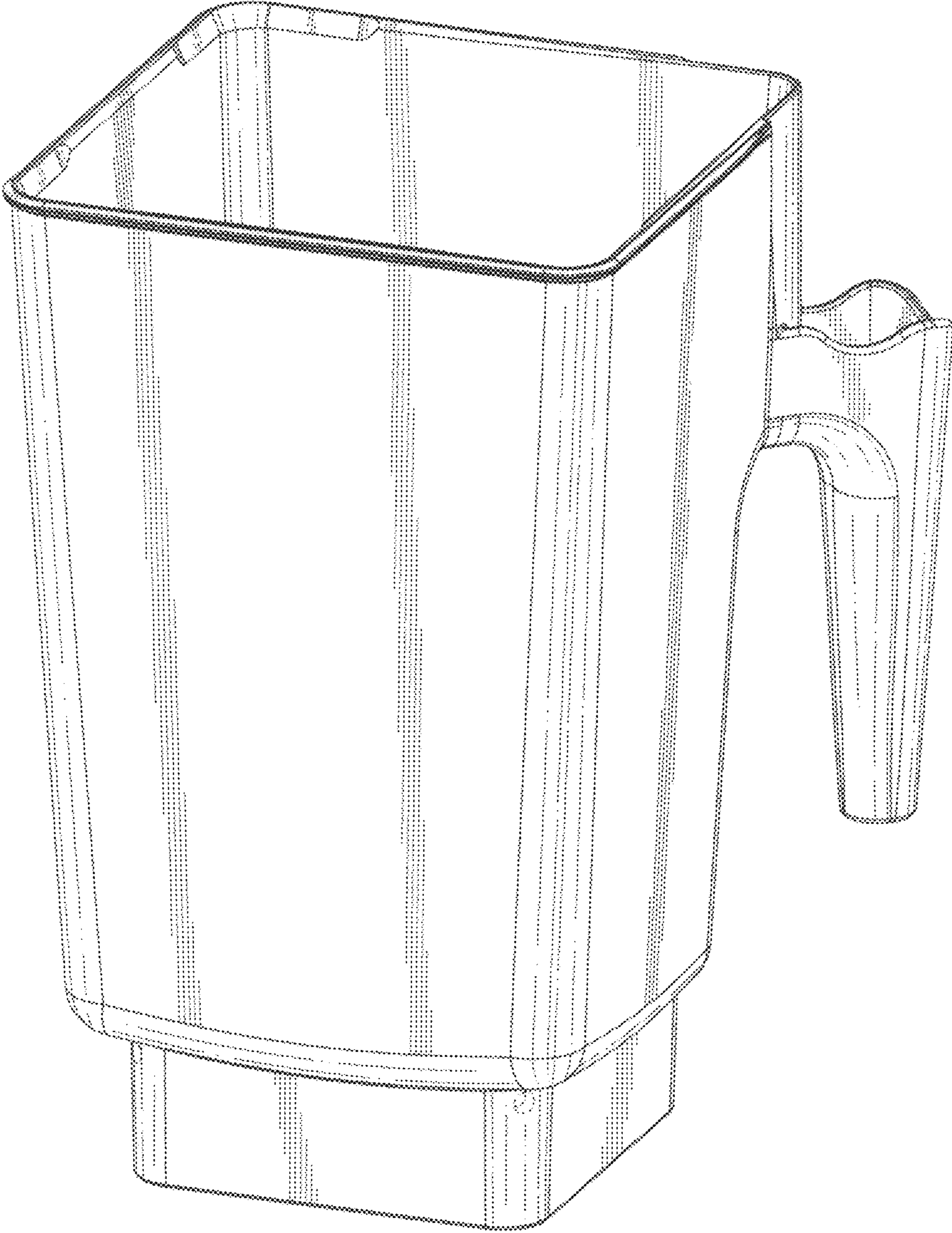


FIG. 1

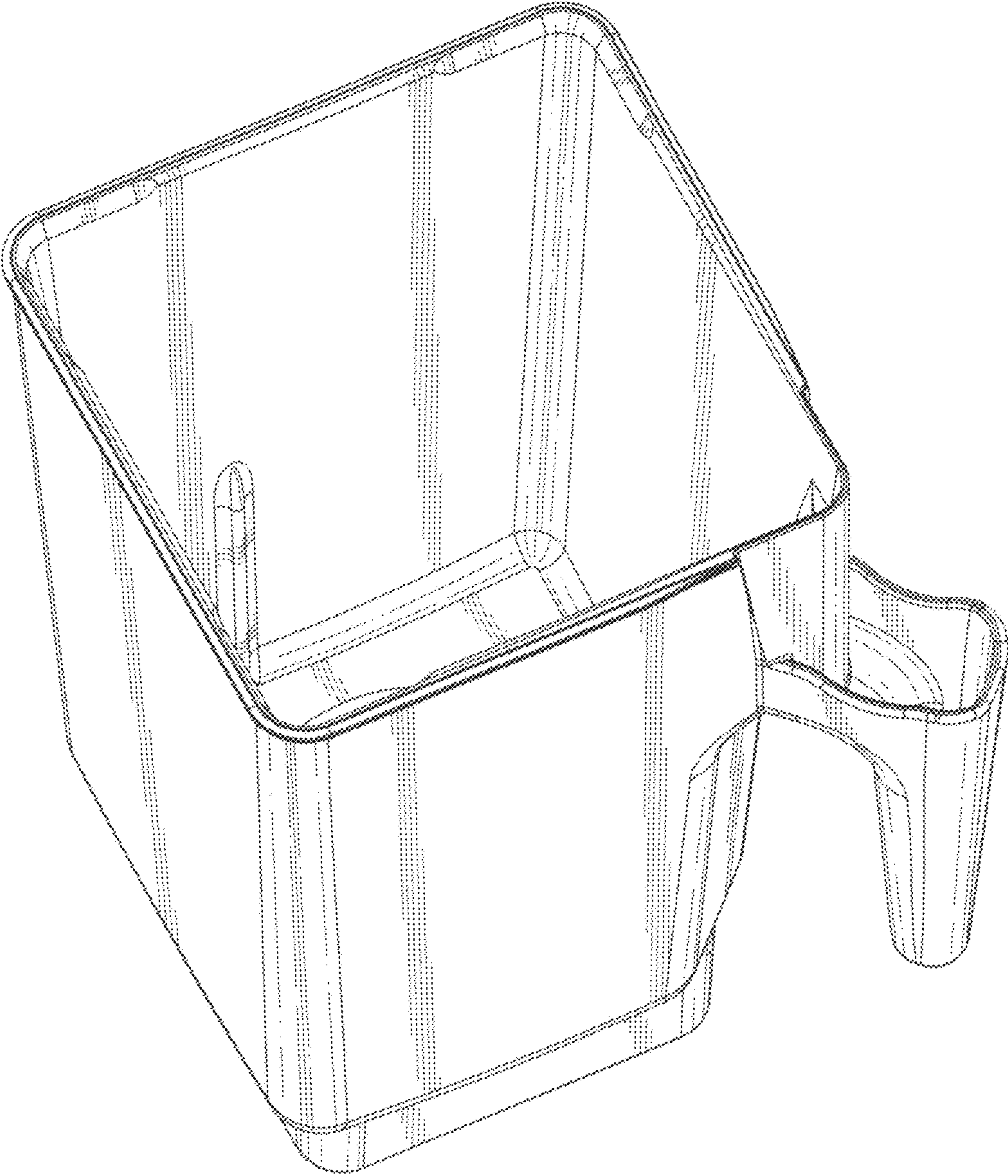


FIG. 2

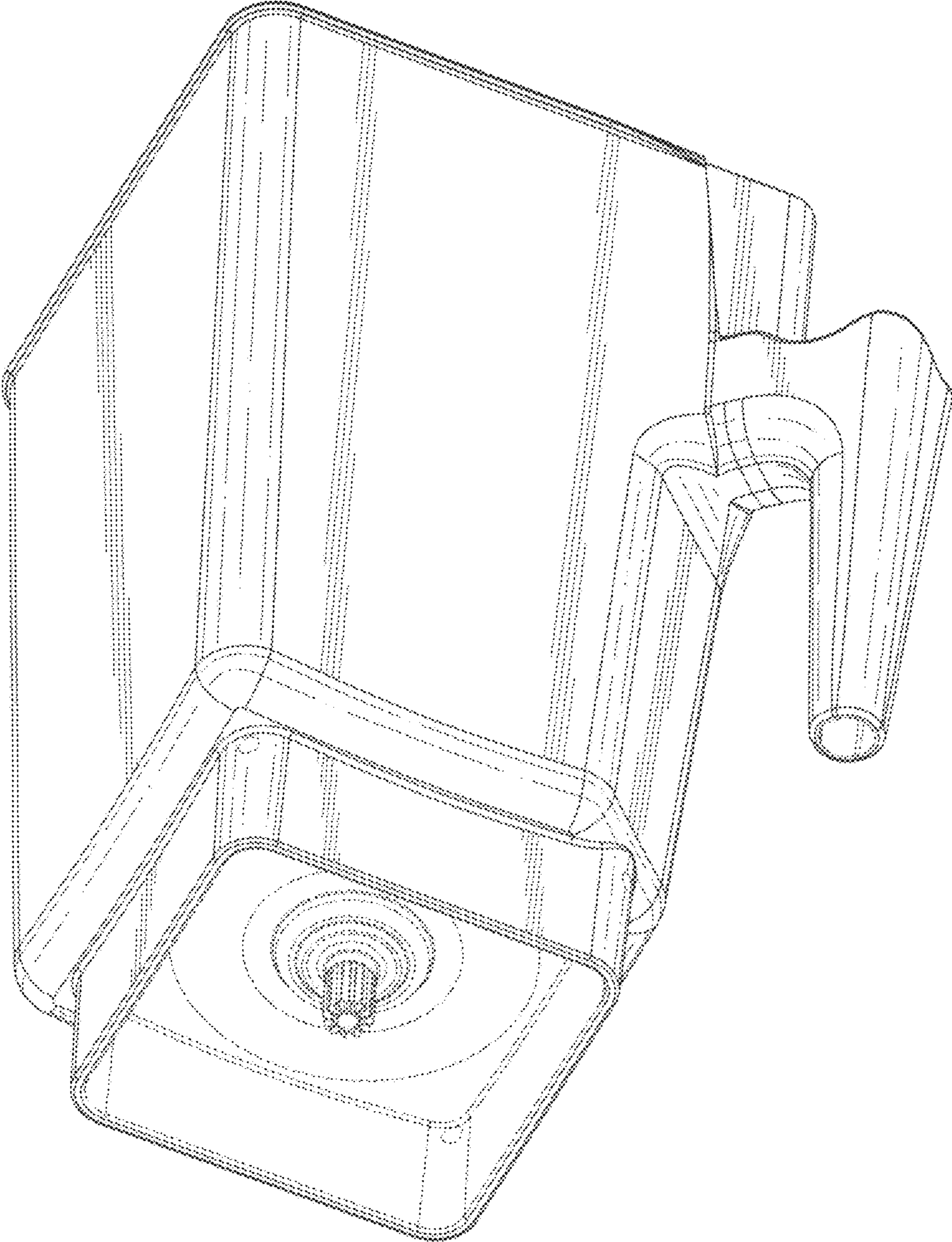


FIG. 3

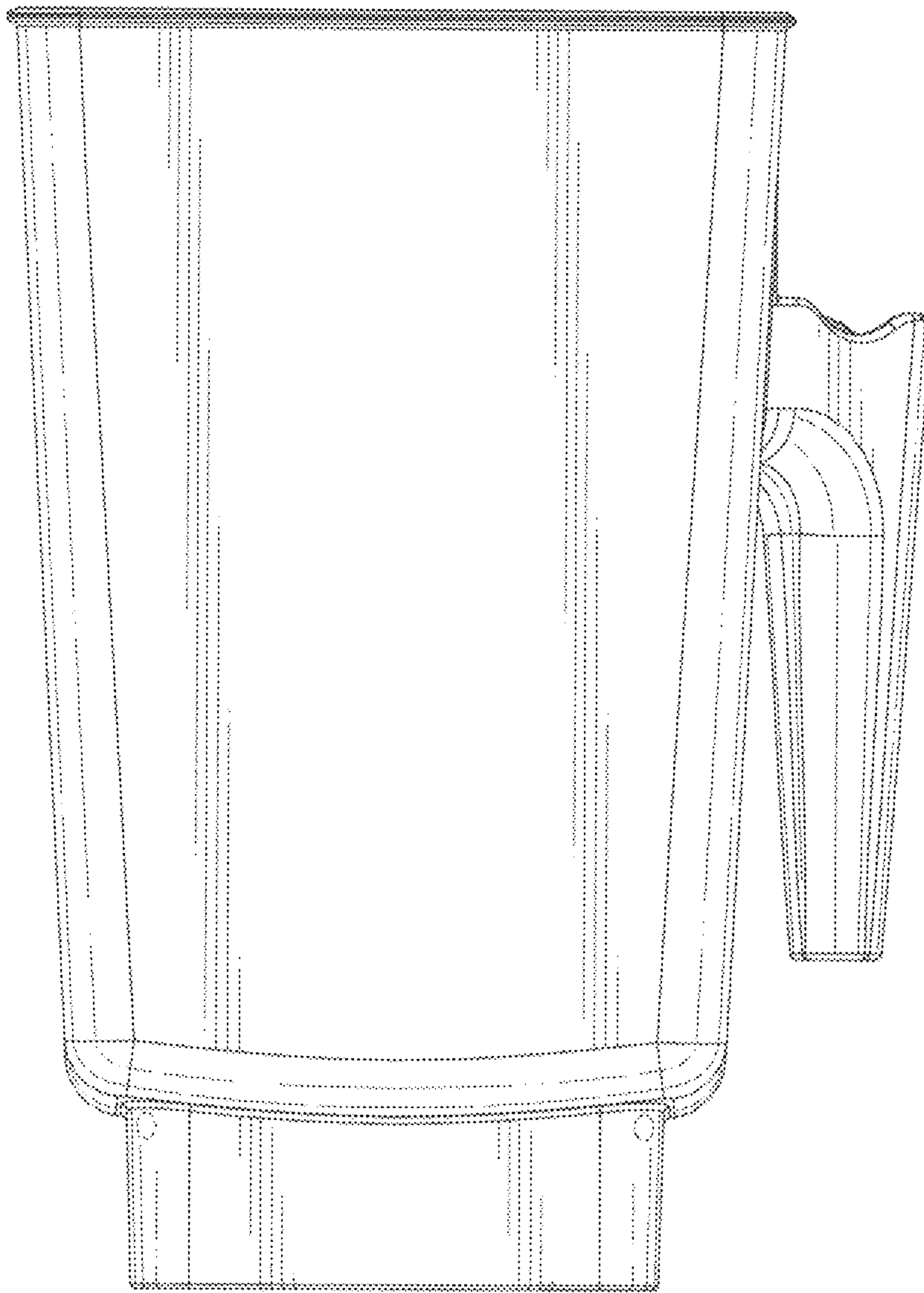


FIG. 4

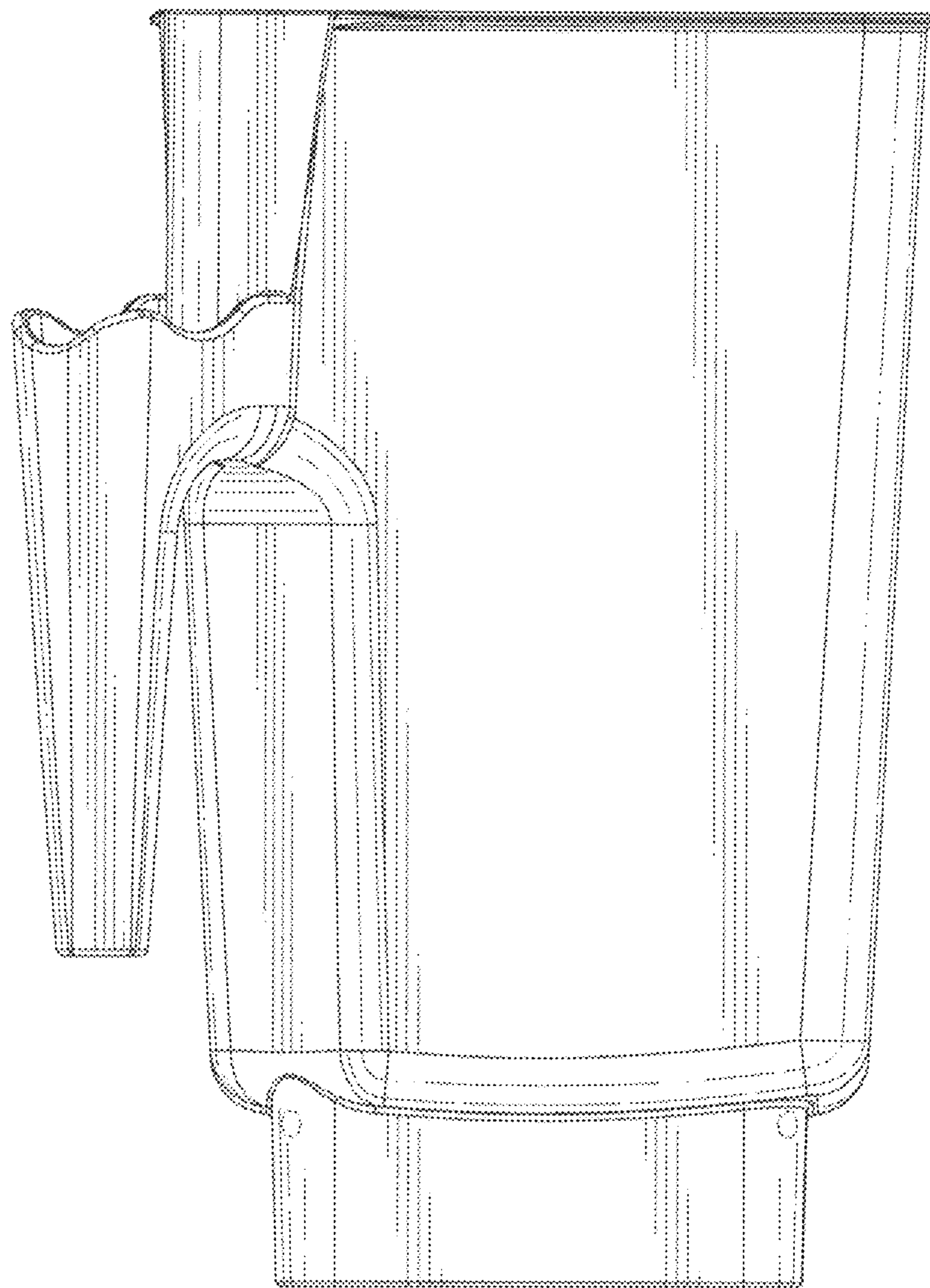


FIG. 5

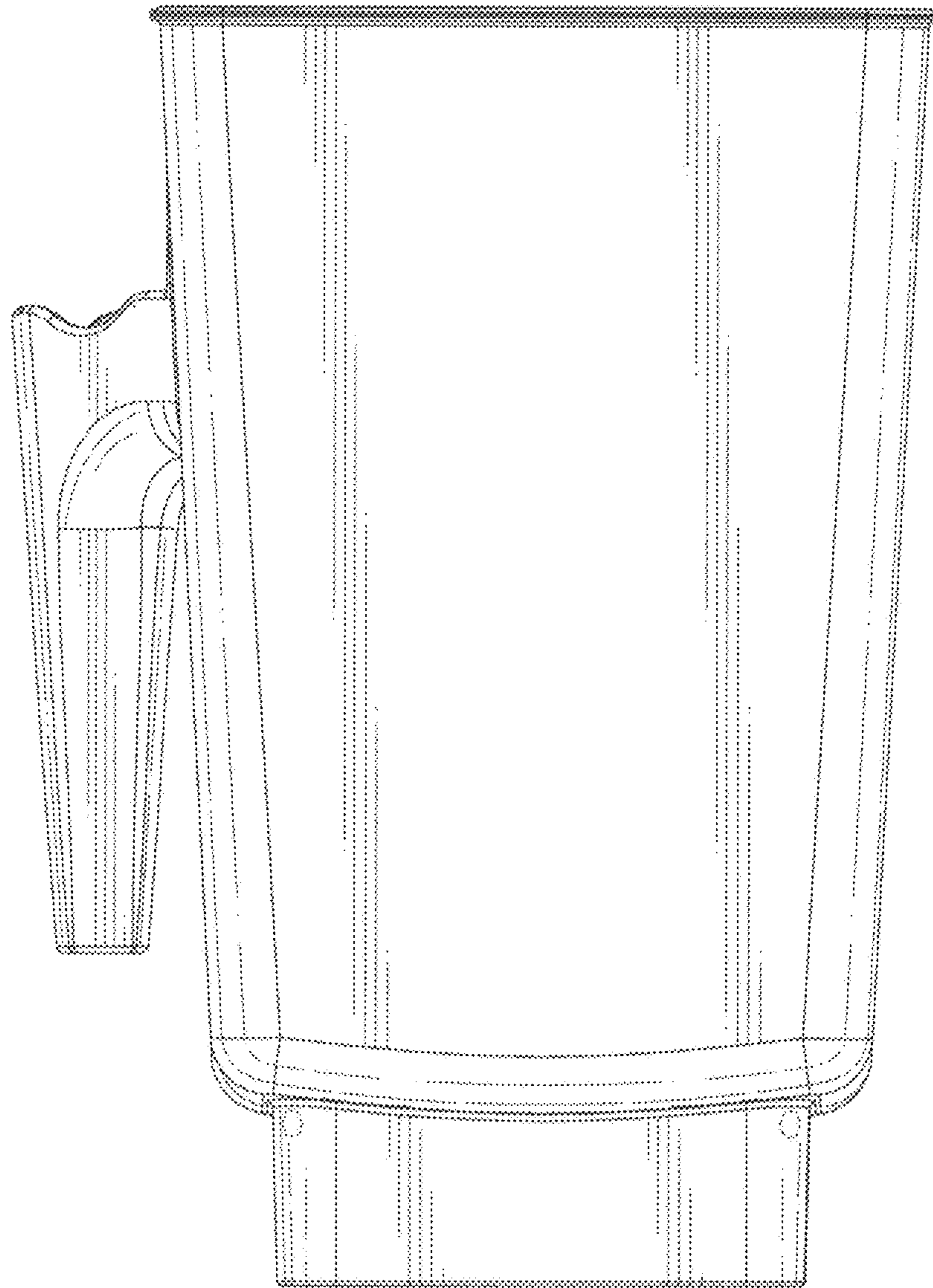


FIG. 6

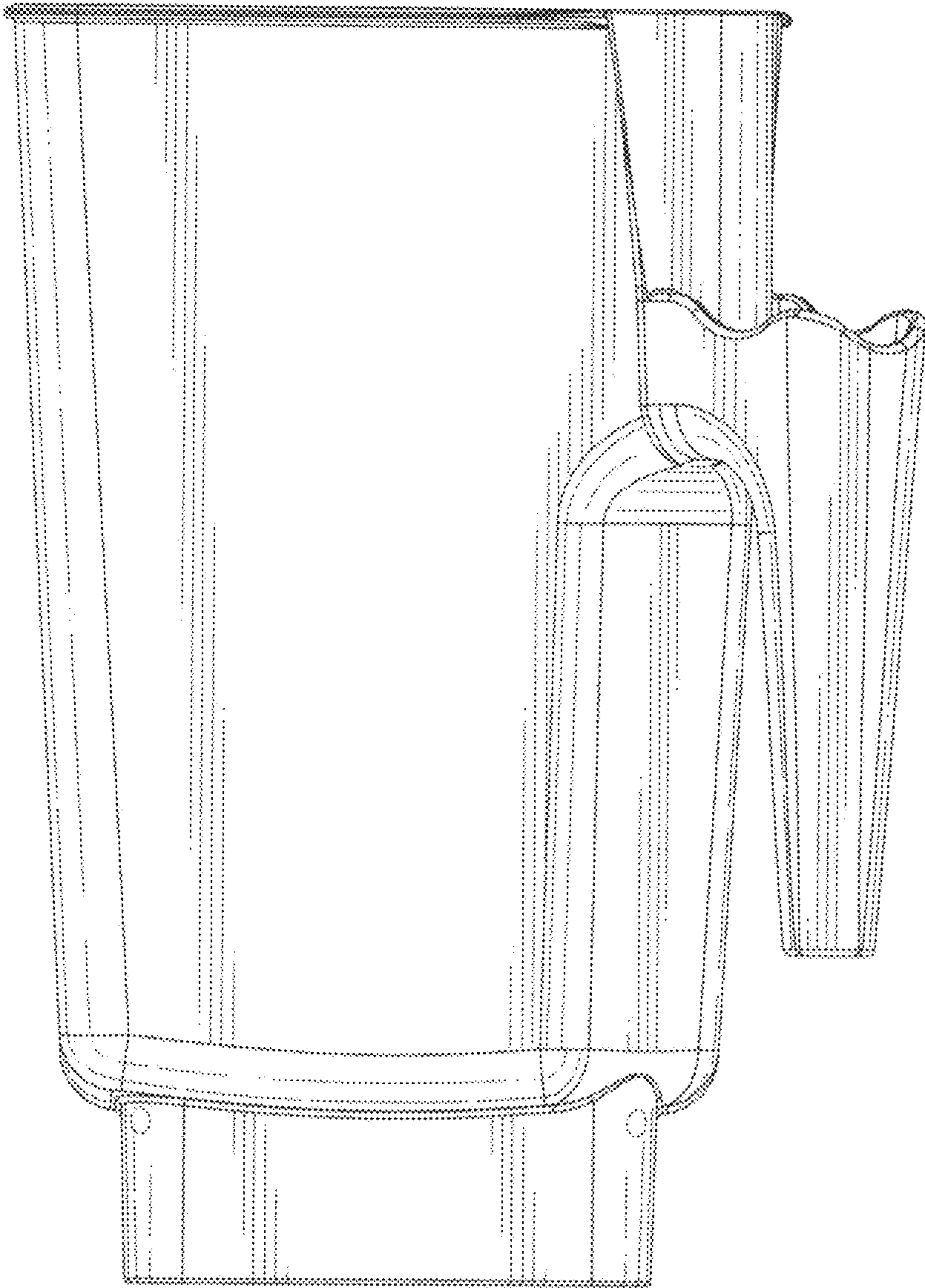


FIG. 7

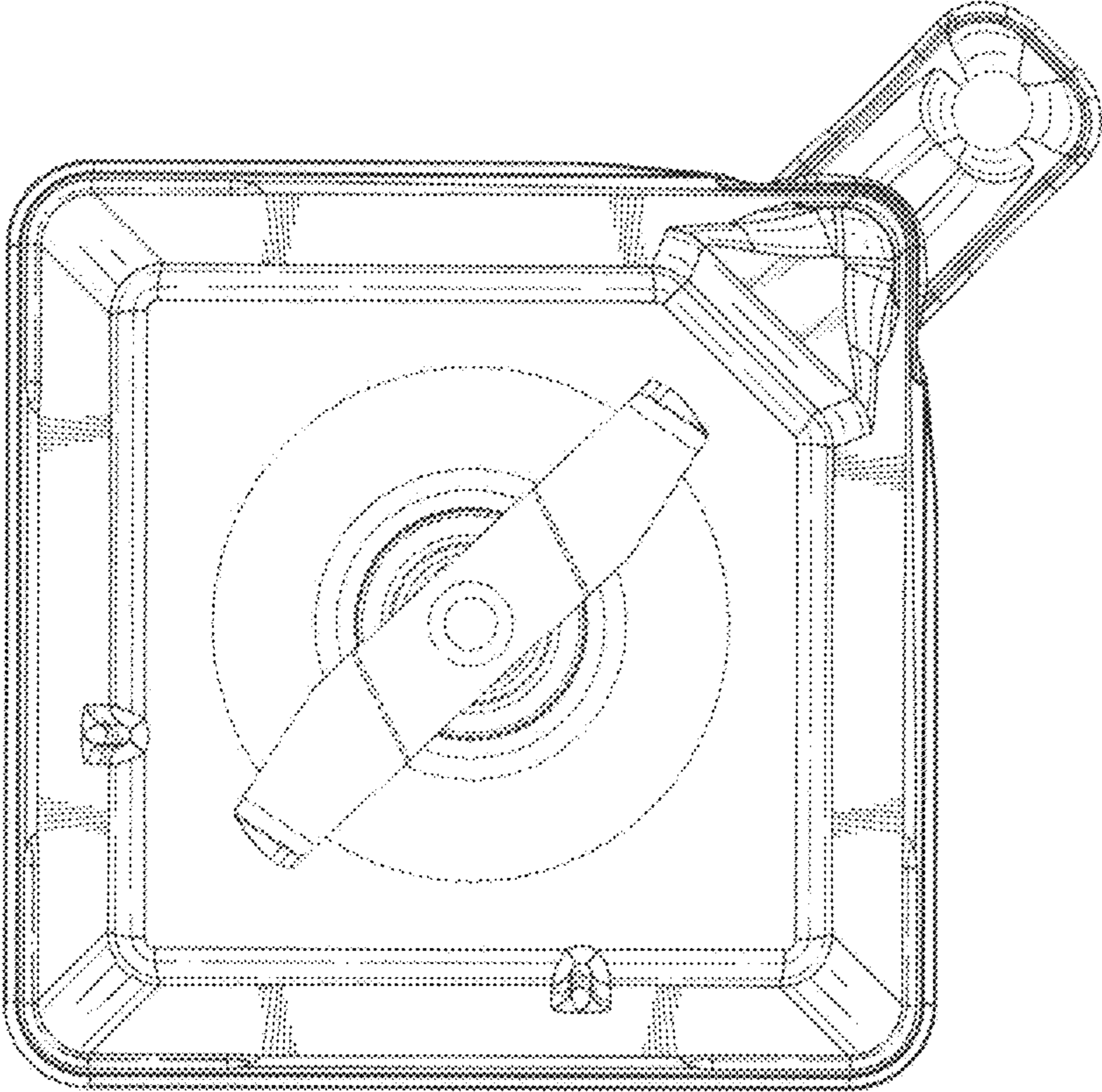


FIG. 8

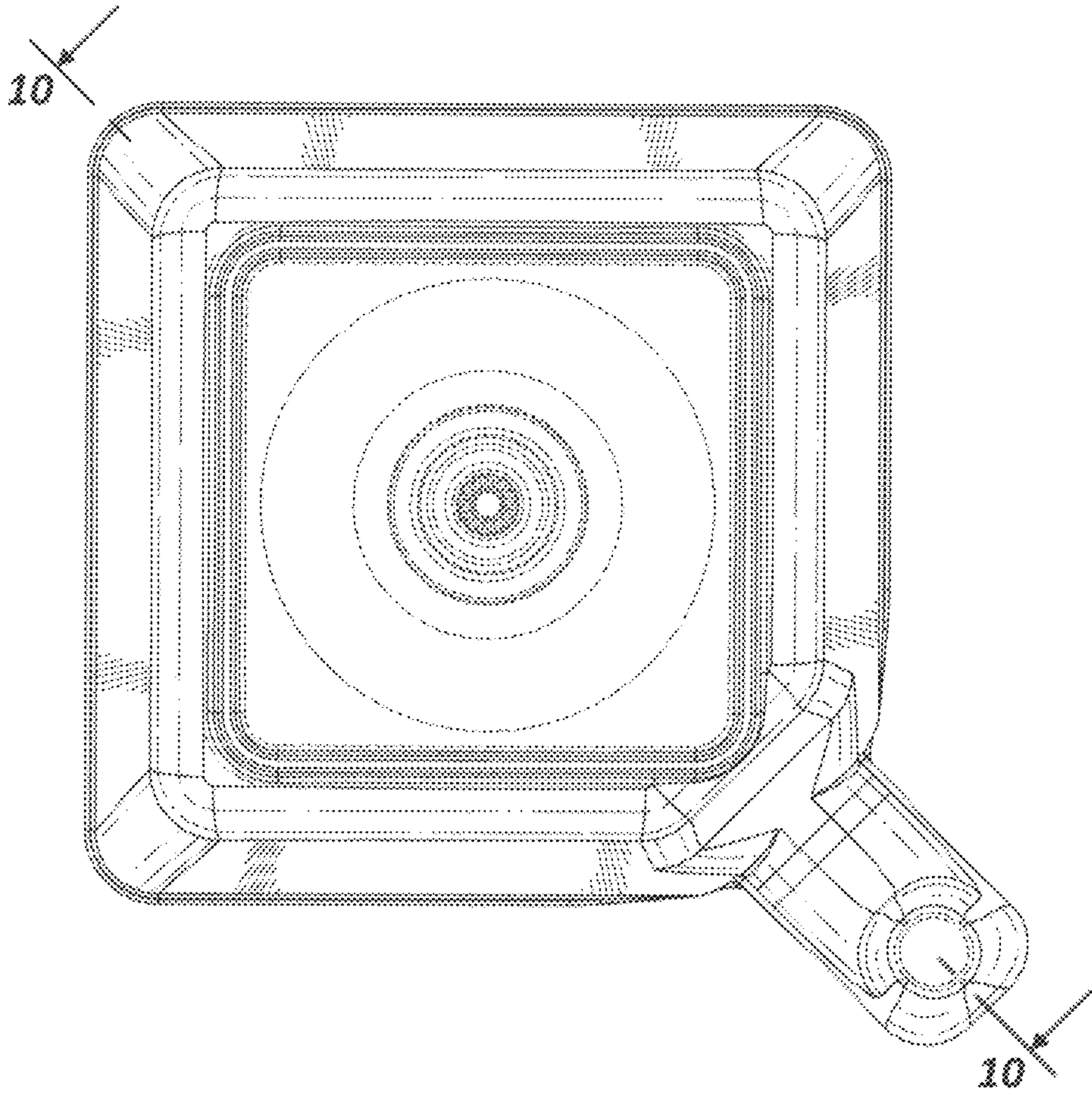


FIG. 9

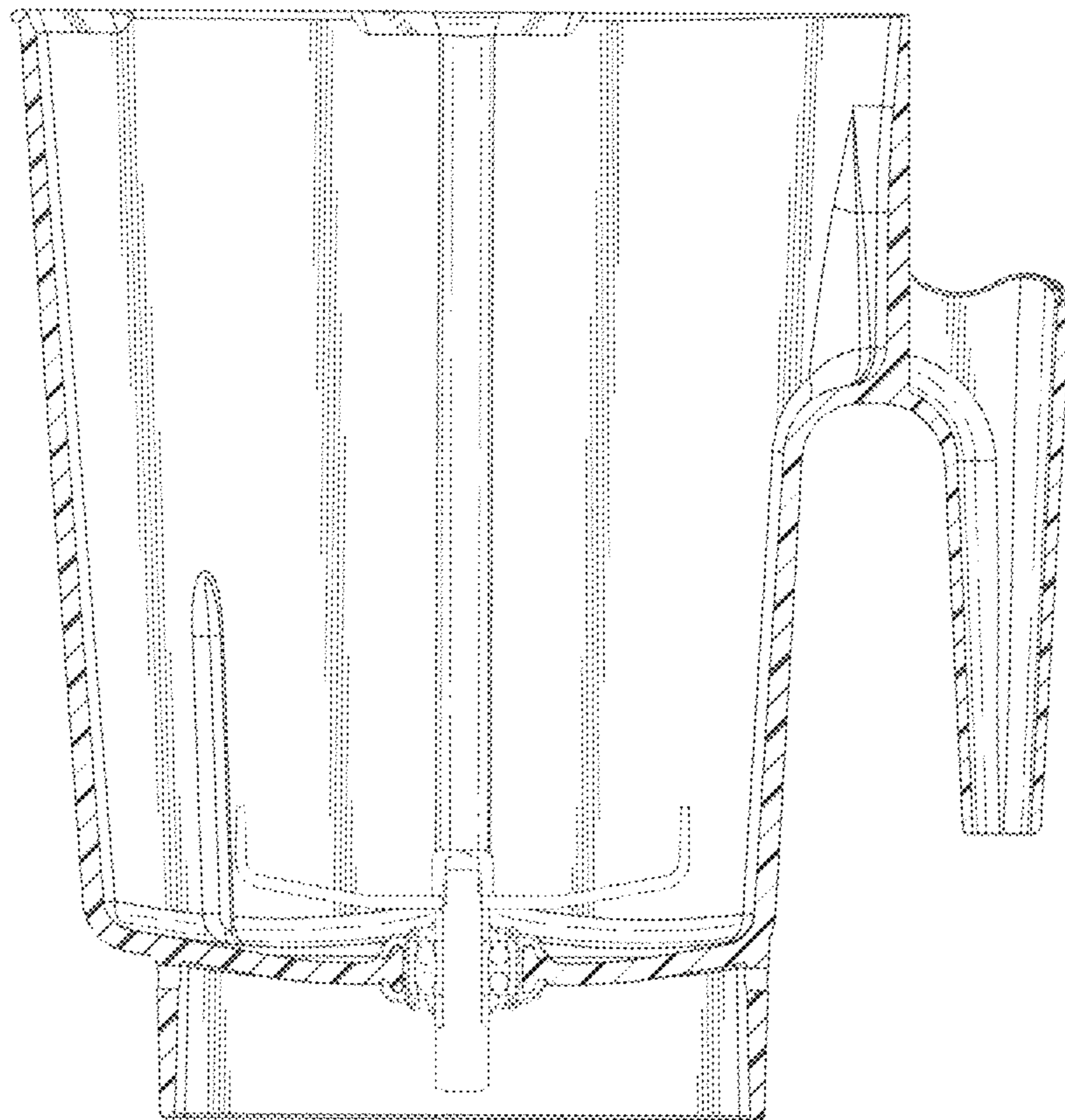


FIG. 10