



US00D791535S

(12) **United States Design Patent** (10) **Patent No.:** **US D791,535 S**  
**Yeh** (45) **Date of Patent:** **\*\* Jul. 11, 2017**

(54) **COFFEE FILTER WITH DUAL-LINING**

D738,169 S \* 9/2015 Weisenbach ..... D7/700  
D763,335 S \* 8/2016 Ruffin ..... D15/150  
D764,864 S \* 8/2016 Hertaus ..... D7/400  
2010/0047419 A1\* 2/2010 Boul ..... A47J 31/08  
426/433

(71) Applicant: **YUKAWA ENTERPRISE CO., LTD.**,  
Heimei Township, Changhua County  
(TW)

\* cited by examiner

(72) Inventor: **Chin-Chen Yeh**, Changhua (TW)

*Primary Examiner* — Cynthia Ramirez

(73) Assignee: **YUKAWA ENTERPRISE CO., LTD.**,  
Hemei Township, Changhua County  
(TW)

*Assistant Examiner* — Andrew Kerr

(74) *Attorney, Agent, or Firm* — Egbert Law Offices,  
PLLC

(\*\*) Term: **15 Years**

(57) **CLAIM**

(21) Appl. No.: **29/560,037**

The ornamental design for a coffee filter with dual-lining, as shown and described.

(22) Filed: **Apr. 1, 2016**

(51) **LOC (10) Cl.** ..... **07-02**

(52) **U.S. Cl.**  
USPC ..... **D7/400**

**DESCRIPTION**

(58) **Field of Classification Search**  
USPC ..... D3/304; D7/400, 401, 399, 667;  
D23/209, 261; 99/279; 210/348, 391,  
210/472, 477, 474; 141/331, 340  
CPC ..... A47J 47/00; A47J 31/44; B65B 39/00;  
B65B 39/02; B67C 11/00; B67C 11/02  
See application file for complete search history.

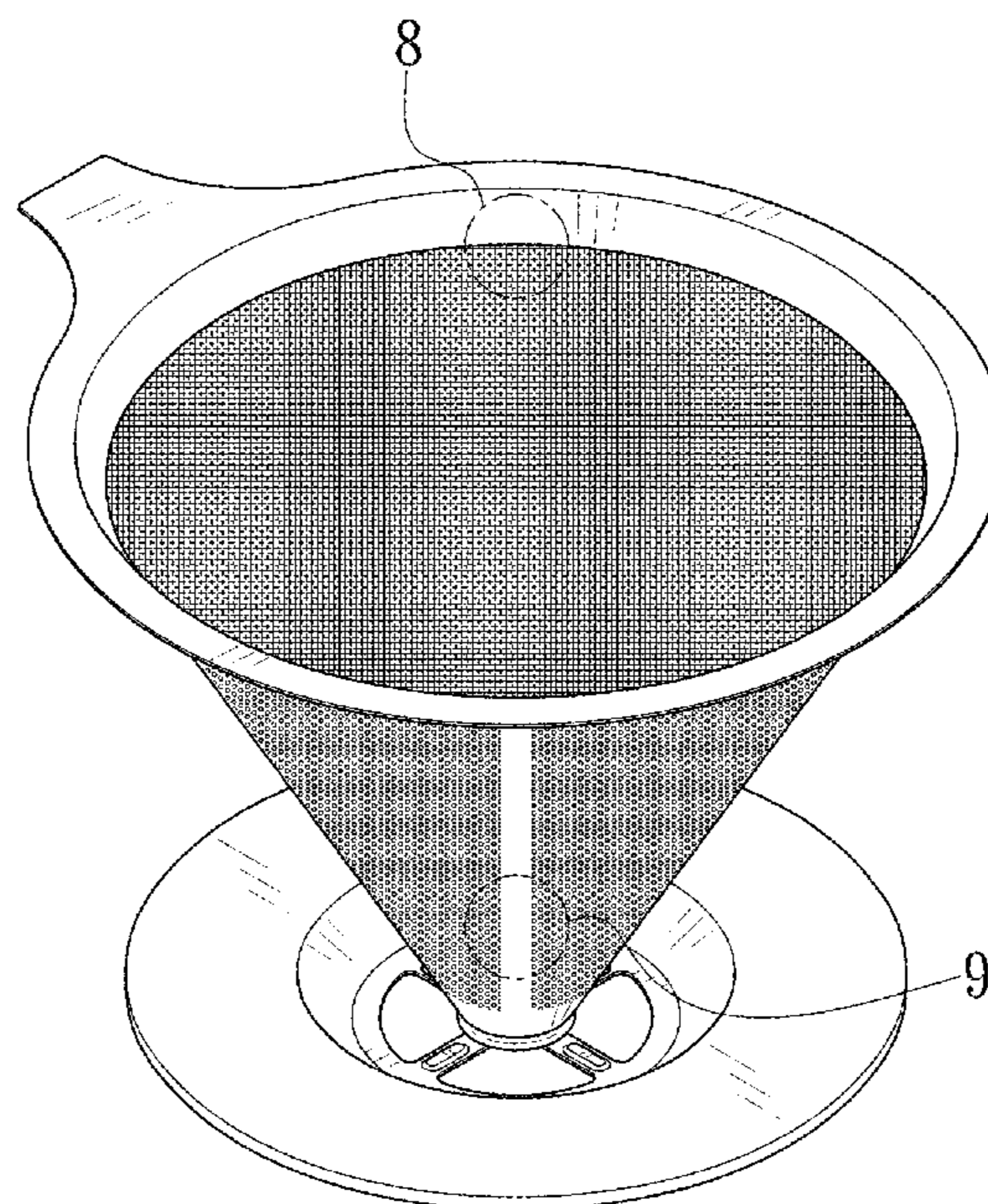
FIG. 1 is an upper perspective view of a coffee filter with dual-lining showing my new design.  
FIG. 2 is a front elevation view thereof;  
FIG. 3 is rear elevation view thereof;  
FIG. 4 is a side elevation view thereof;  
FIG. 5 is an opposite side elevation view thereof;  
FIG. 6 is a top plan view thereof;  
FIG. 7 is a bottom plan view thereof;  
FIG. 8 is an enlarged view of the area identified as “8” in FIG. 1;  
FIG. 9 is an enlarged view of the area identified as “9” in FIG. 1; and,  
FIG. 10 is a perspective view showing the coffee filter with dual-lining thereof, in use condition.  
The coffee mug shown in broken lines in FIG. 10 is included for the purpose of illustrating unclaimed environment only, and forms no part of the claimed design.

(56) **References Cited**

U.S. PATENT DOCUMENTS

3,334,574 A \* 8/1967 Douglas ..... A47J 31/02  
210/455  
D279,379 S \* 6/1985 Uram ..... D15/138  
6,083,392 A \* 7/2000 Rigney ..... A47J 37/1271  
210/451  
D524,599 S \* 7/2006 Bodum ..... D7/400  
D694,852 S \* 12/2013 Gordon ..... D23/209  
D717,594 S \* 11/2014 Taketani ..... D7/399

**1 Claim, 10 Drawing Sheets**



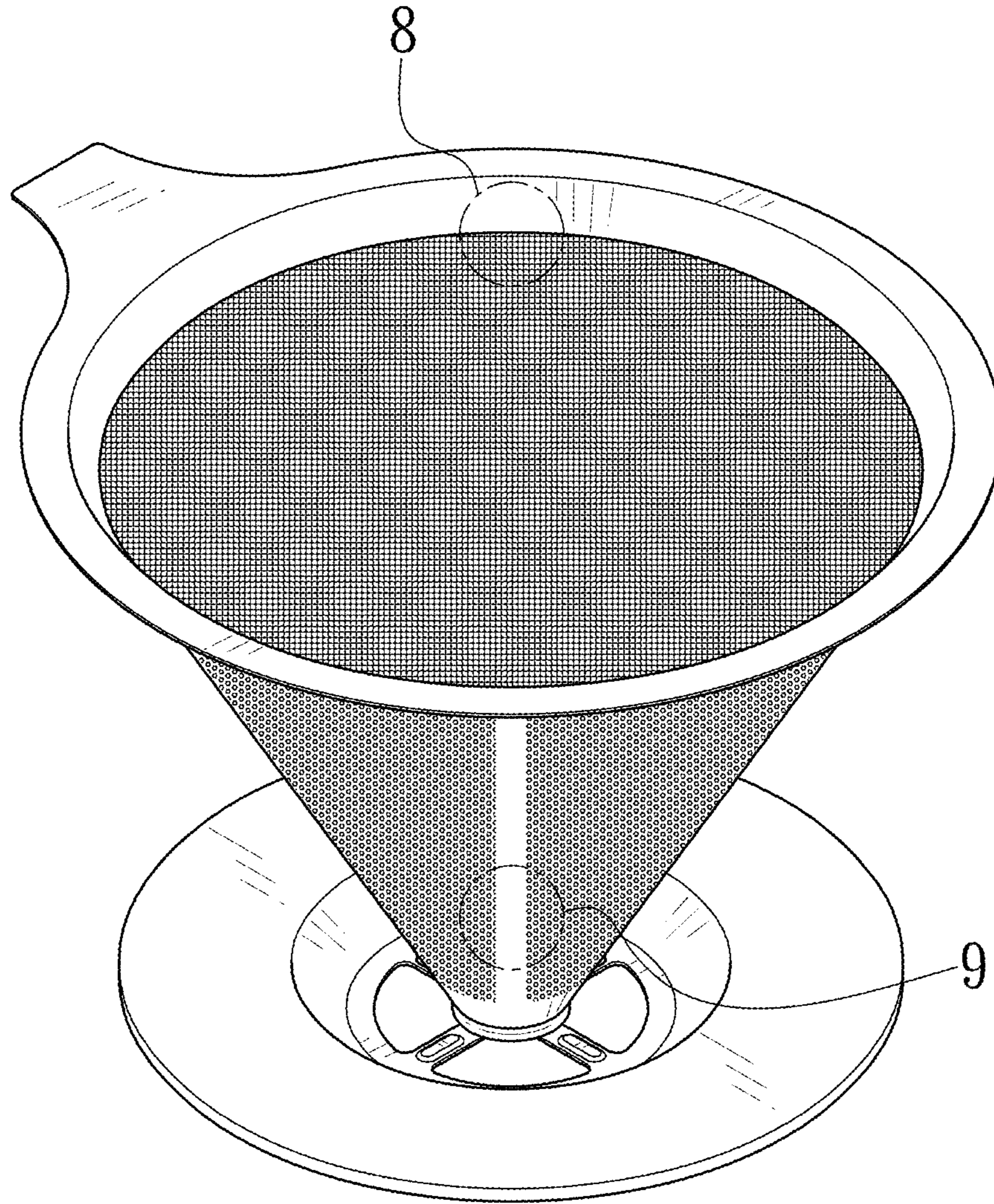


FIG. 1

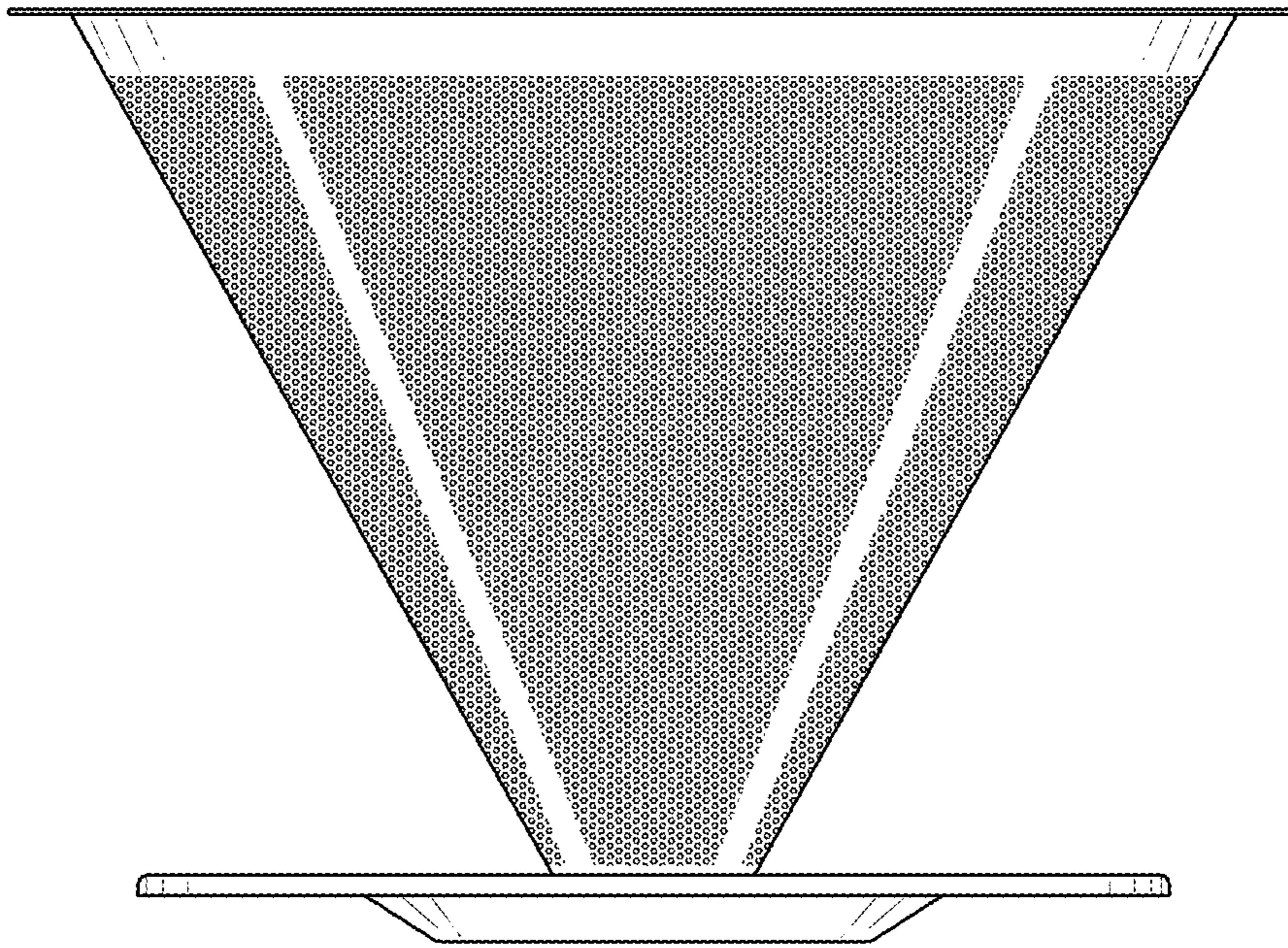


FIG. 2

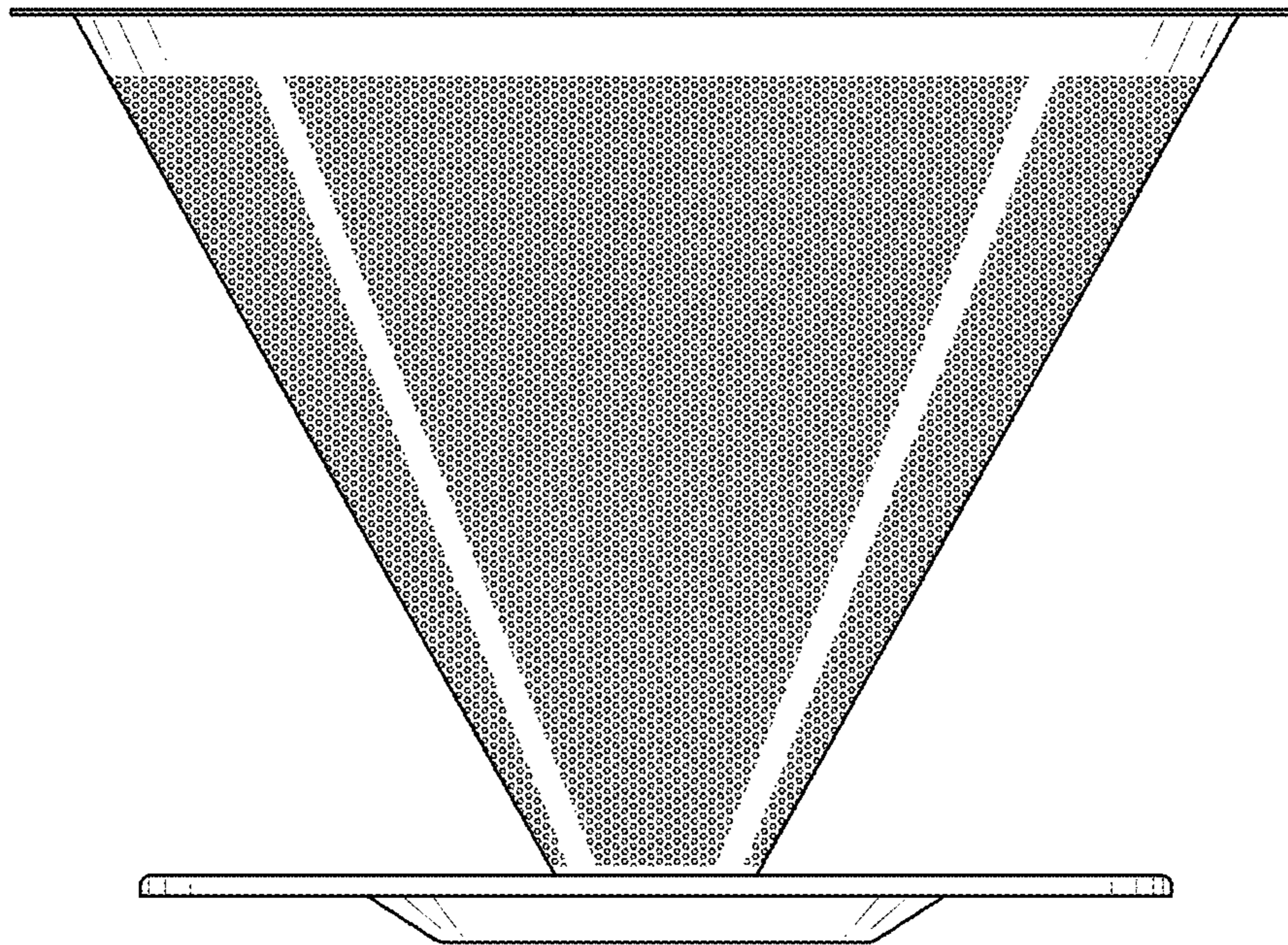


FIG. 3

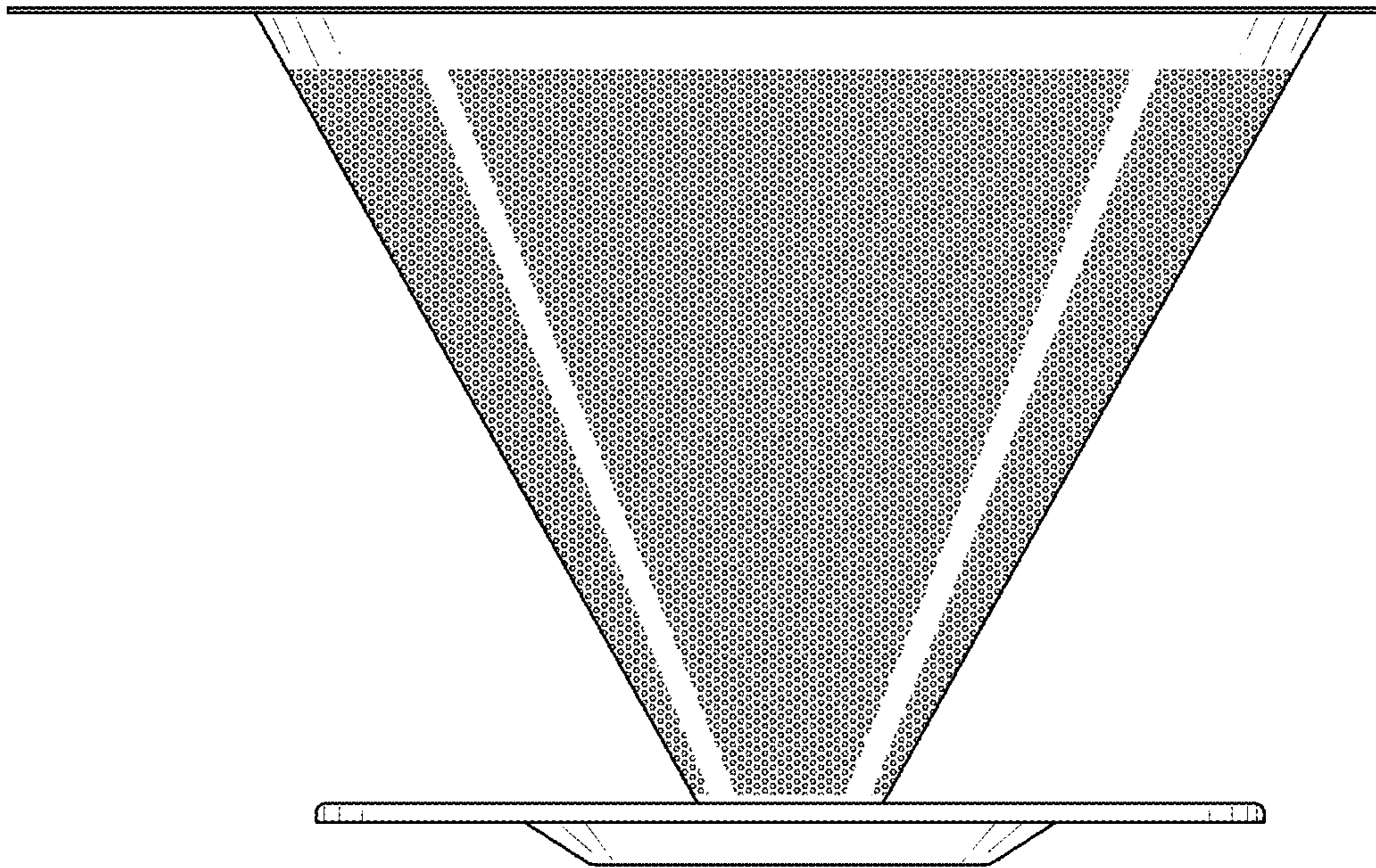


FIG. 4

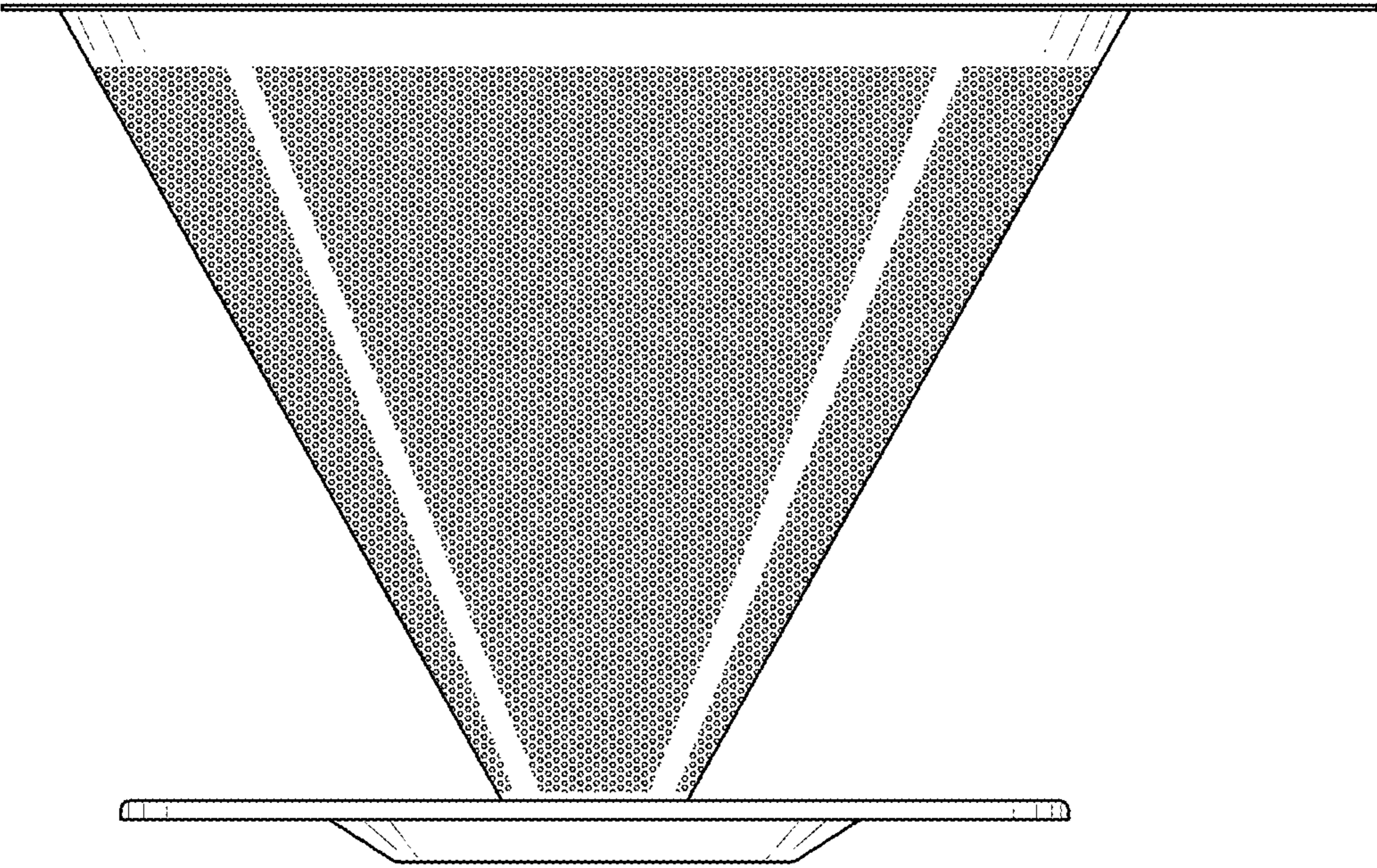


FIG. 5

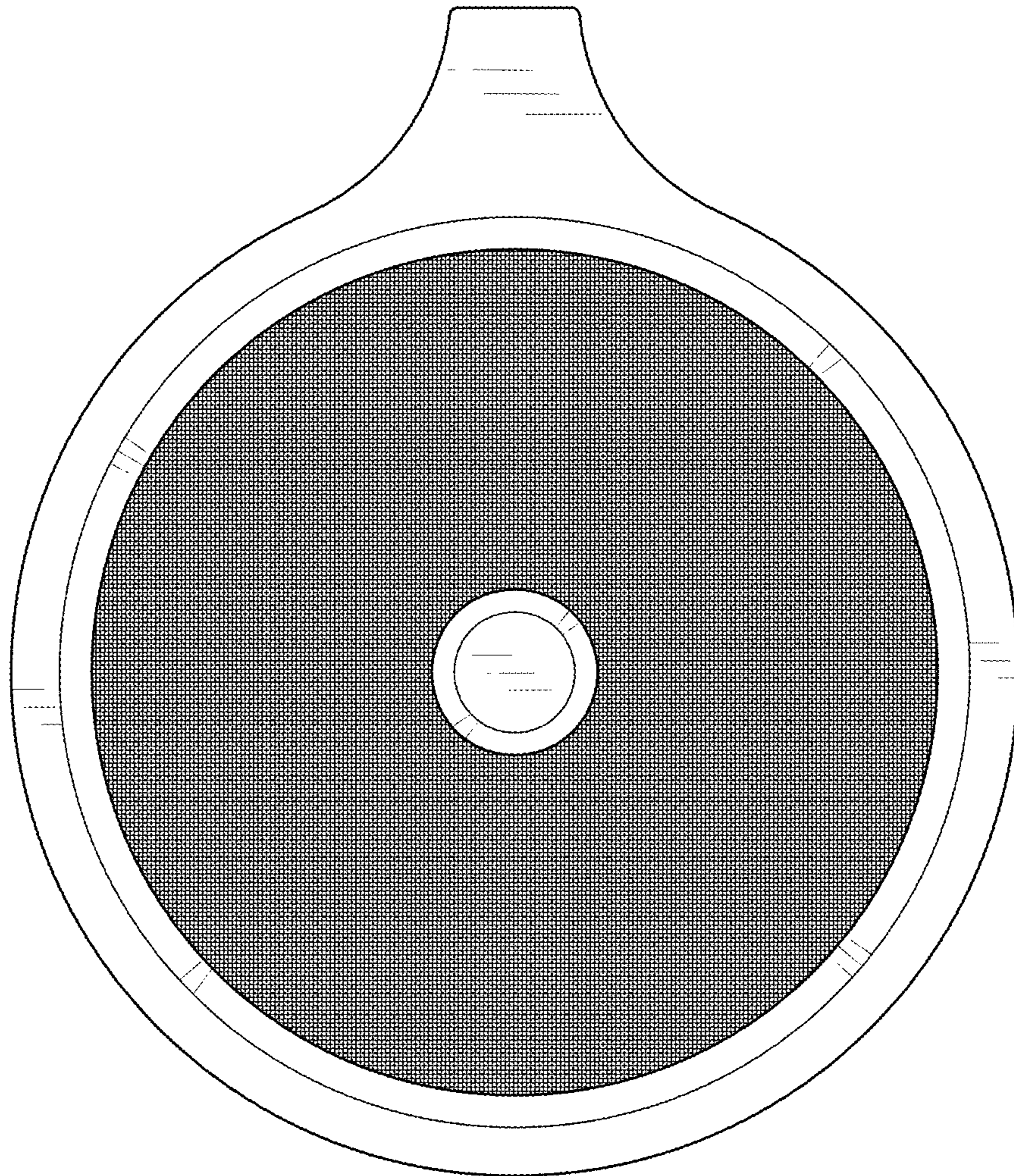


FIG. 6

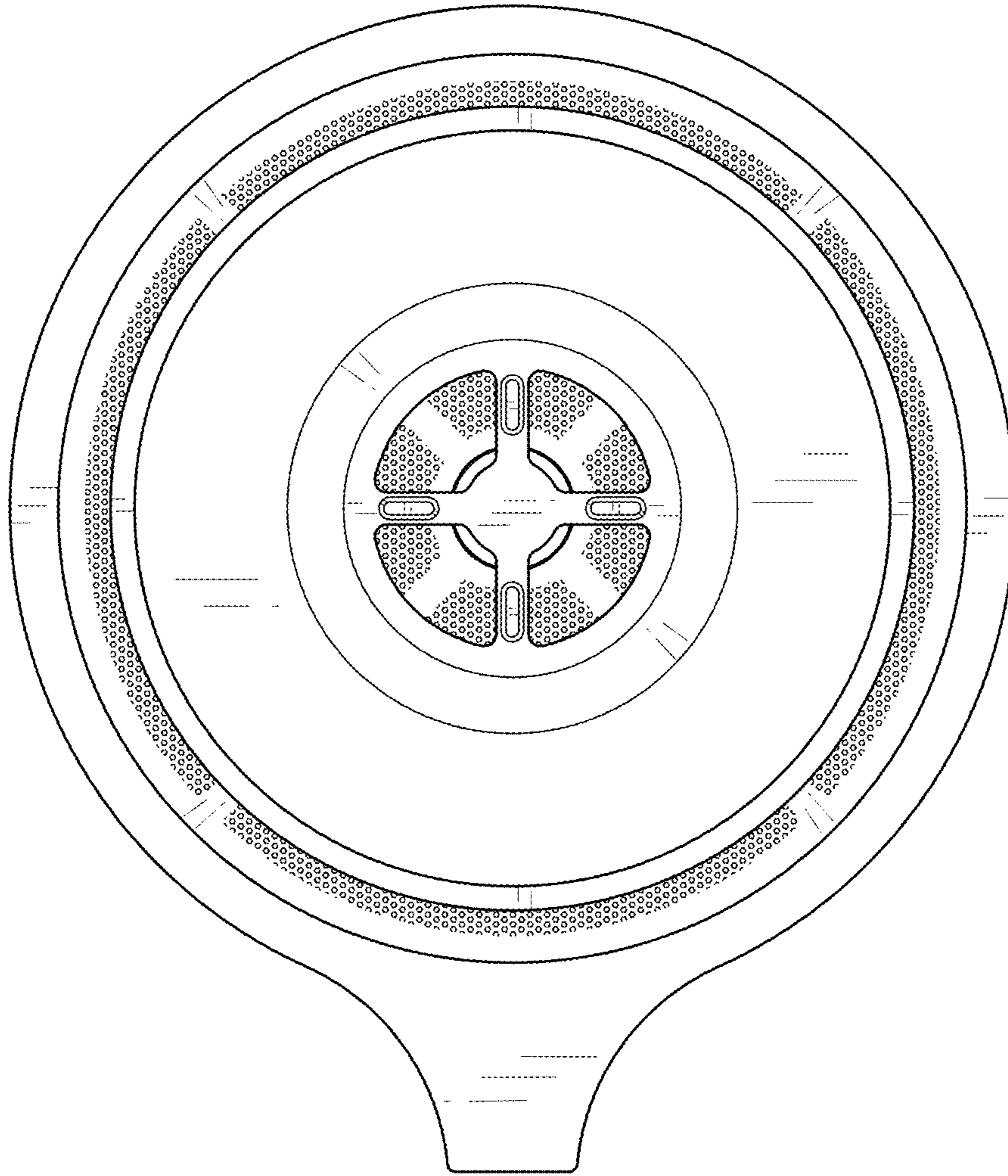


FIG. 7



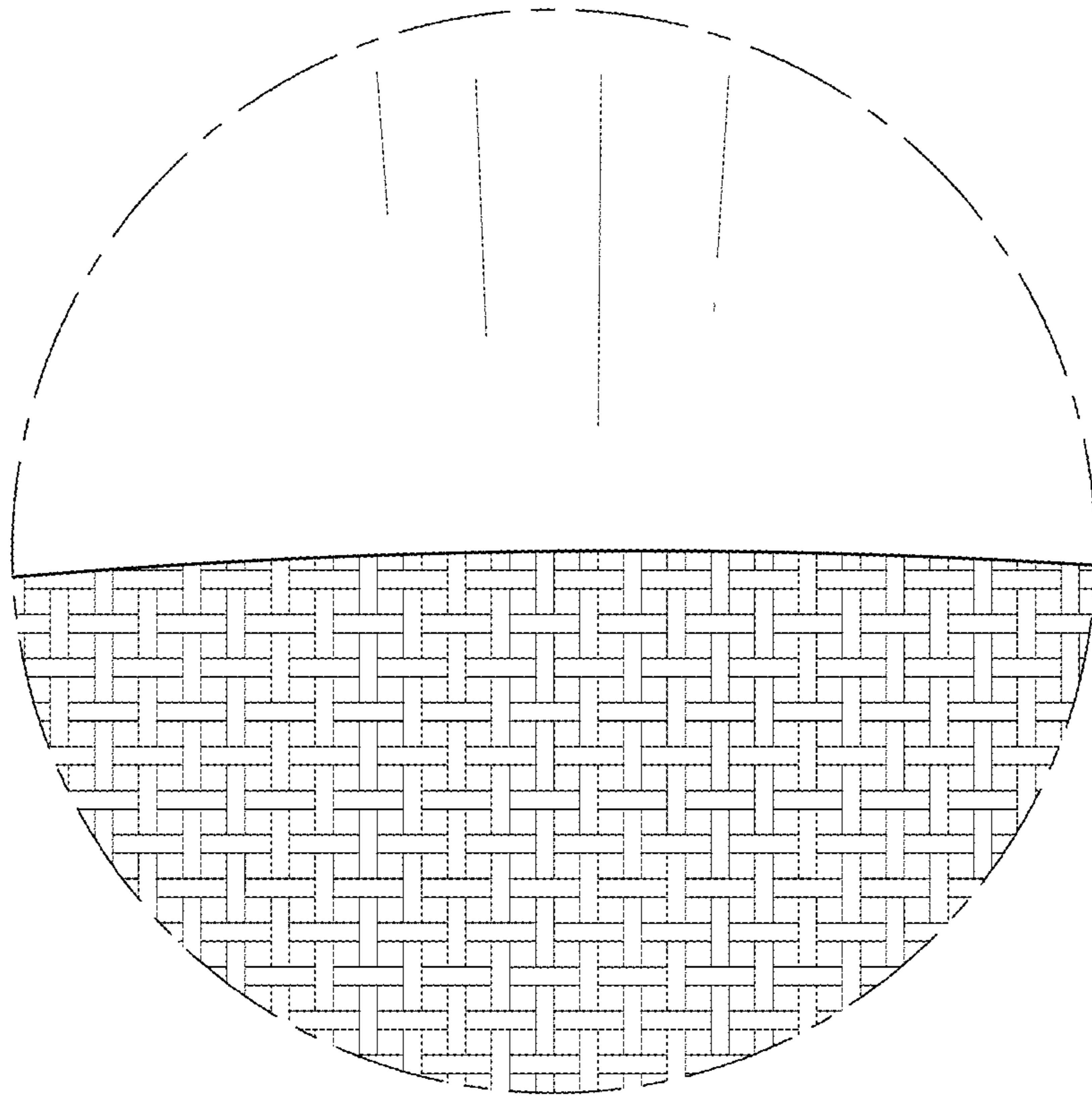


FIG. 8

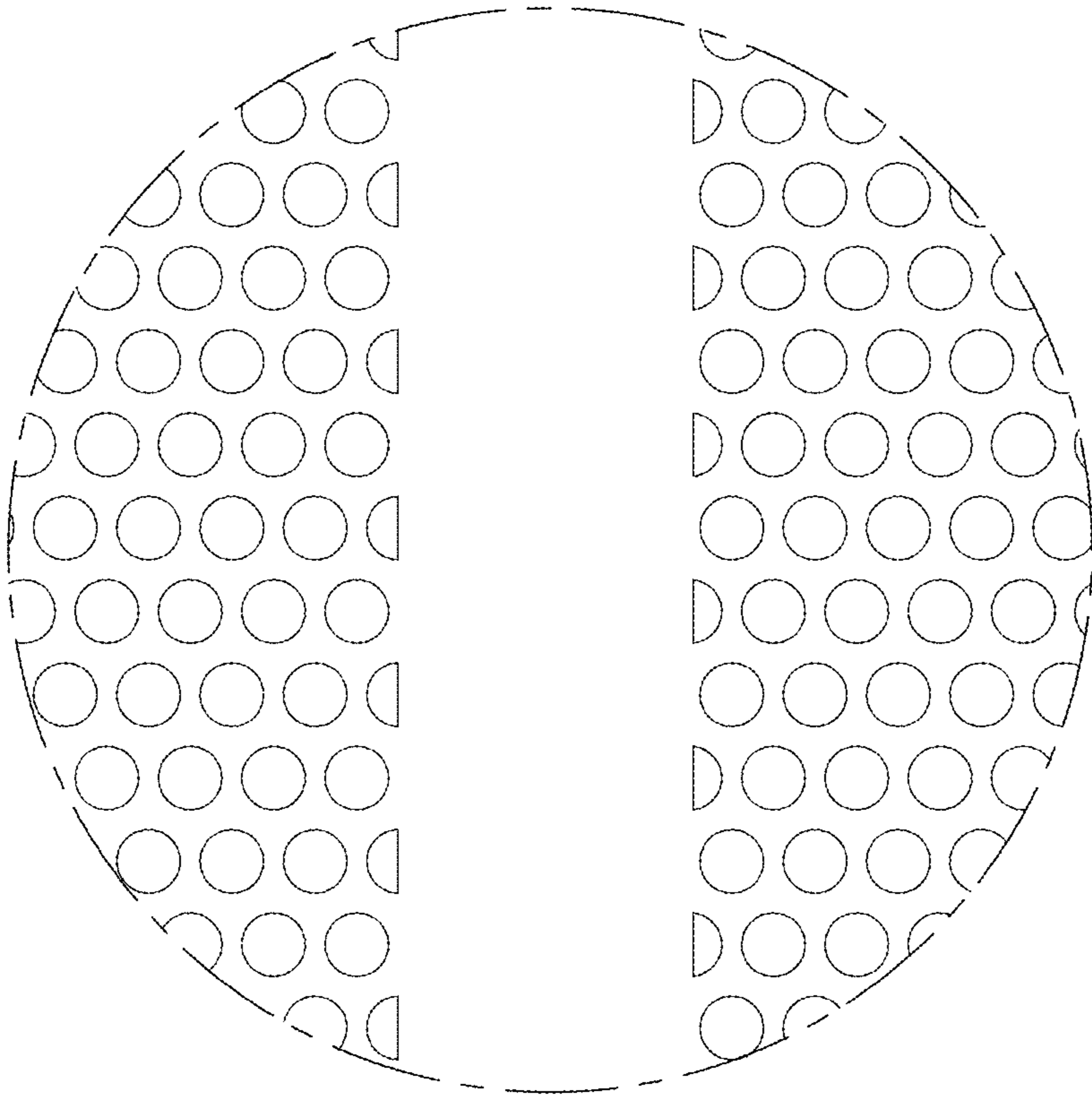


FIG. 9

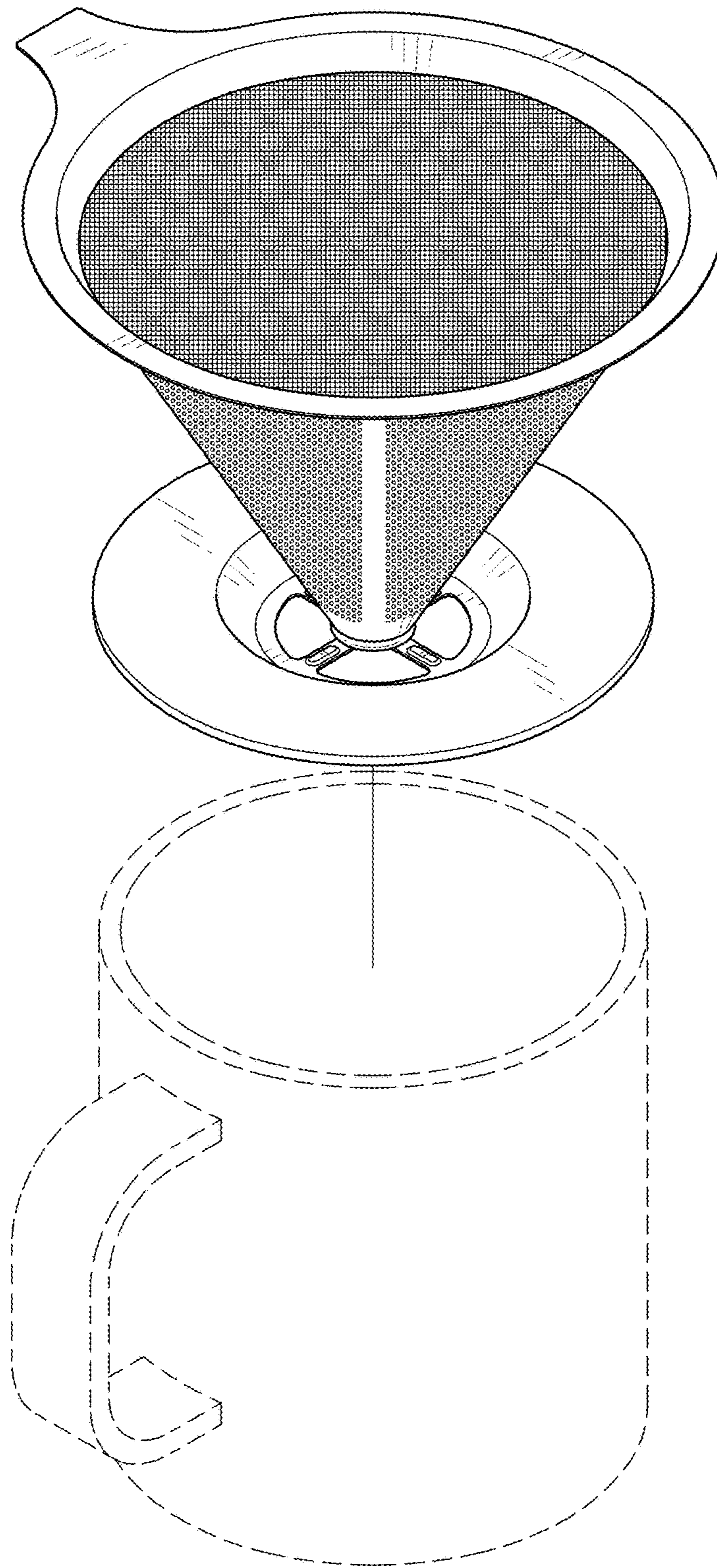


FIG. 10