



US00D791533S

(12) **United States Design Patent** (10) **Patent No.:** **US D791,533 S**
Bond et al. (45) **Date of Patent:** **** Jul. 11, 2017**

(54) **COFFEE MAKER**
(71) Applicant: **Nostalgia Products LLC**, Green Bay, WI (US)
(72) Inventors: **Gregg Bond**, Beverly Hills, CA (US); **Edward E. Boughton, III**, Ventura, CA (US)
(73) Assignee: **NOSTALIGA PRODUCTS LLC**, Green Bay, WI (US)

(**) Term: **15 Years**

(21) Appl. No.: **29/544,195**

(22) Filed: **Oct. 30, 2015**

(51) **LOC (10) Cl.** **07-01**

(52) **U.S. Cl.**
USPC **D7/399; D7/311; D7/309; D7/397**

(58) **Field of Classification Search**
USPC **D7/305-311, 313, 399, 397; D15/82; 222/129.1, 146.6; 99/295**
CPC **A47J 31/44; A47J 31/4403; A47J 31/46; B67D 1/36; B67D 2210/0065; B67D 1/0864**
See application file for complete search history.

(56) **References Cited**

U.S. PATENT DOCUMENTS

D209,126 S * 10/1967 Martin D7/309
4,725,714 A * 2/1988 Naya A47J 31/52
219/493
6,286,720 B1 * 9/2001 Simmons B67D 1/0864
222/129.1
D553,897 S * 10/2007 De' Longhi D7/309
D575,571 S * 8/2008 Hammad D7/300
D604,087 S * 11/2009 Lavy D7/309
7,806,294 B2 * 10/2010 Gatipon B67D 1/0022
222/1

D661,159 S * 6/2012 Curtis D7/397
D675,471 S * 2/2013 Averty D7/309
D686,033 S * 7/2013 Burton D7/306
D693,165 S * 11/2013 Averty D7/309
D695,559 S * 12/2013 De Pra D7/309
D702,237 S * 4/2014 Oberpriller D14/420
D732,329 S * 6/2015 Palermo D7/306
D735,527 S * 8/2015 Palermo D7/309
D770,215 S * 11/2016 Vu D7/309

* cited by examiner

Primary Examiner — Marianne Pandozzi

(74) *Attorney, Agent, or Firm* — Blakely Sokoloff Taylor & Zafman LLP

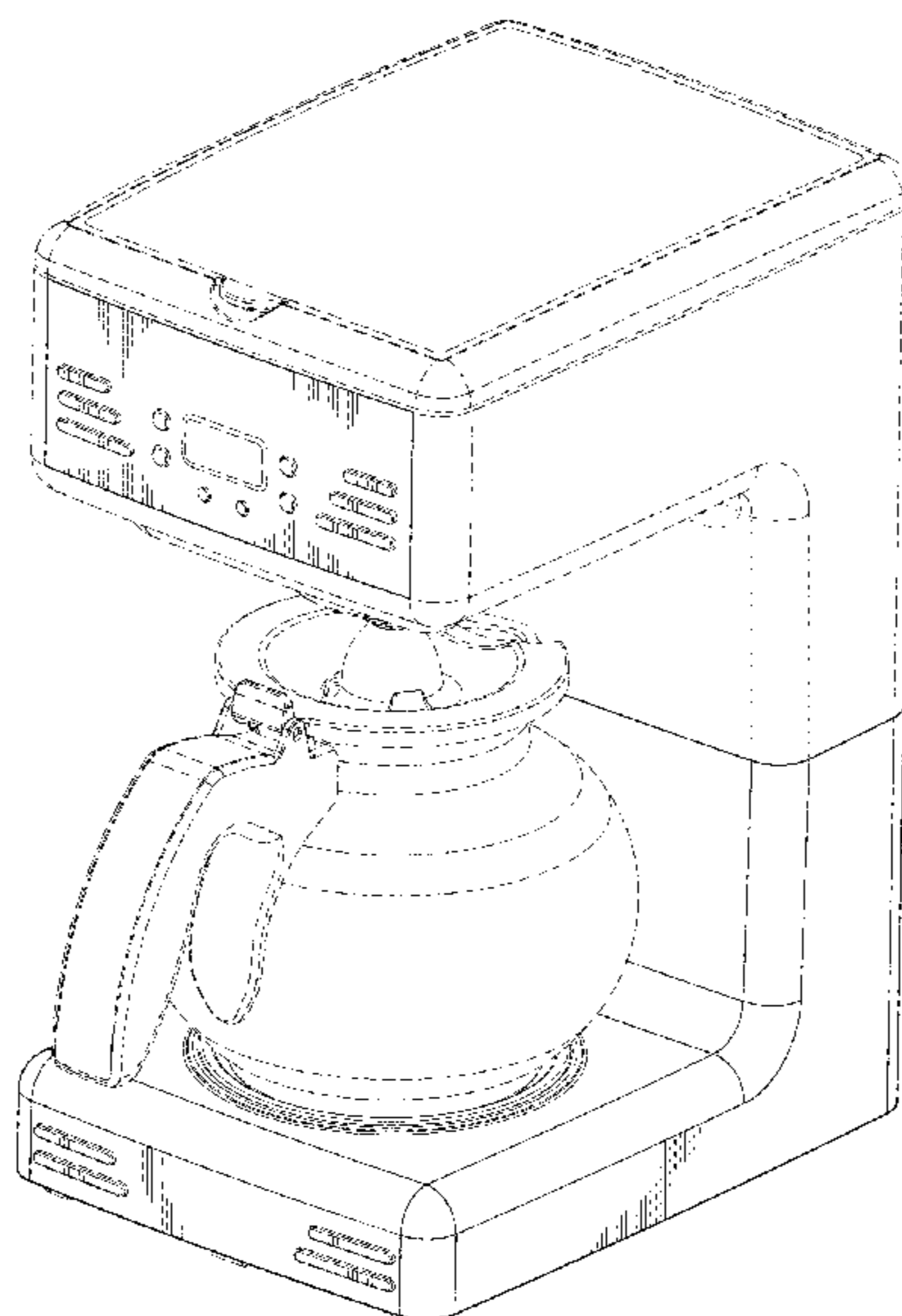
(57) **CLAIM**

The ornamental design for coffee maker, as shown and described.

DESCRIPTION

FIG. 1 is a perspective view of a coffee maker showing our new design
FIG. 2 is a front elevation view thereof;
FIG. 3 is a rear elevation view thereof;
FIG. 4 is a right side elevation view thereof;
FIG. 5 is a left side elevation view thereof;
FIG. 6 is a top plan view thereof;
FIG. 7 is a bottom plan view thereof; and,
FIG. 8 is a perspective view of a coffee maker showing a second embodiment of our new design;
FIG. 9 is a front elevation view thereof;
FIG. 10 is a rear elevation view thereof;
FIG. 11 is a right side elevation view thereof;
FIG. 12 is a left side elevation view thereof;
FIG. 13 is a top plan view thereof; and,
FIG. 14 is a bottom plan view thereof.
In the drawings, the broken lines depict portions of the coffee maker which form no part of the claimed design.

1 Claim, 14 Drawing Sheets



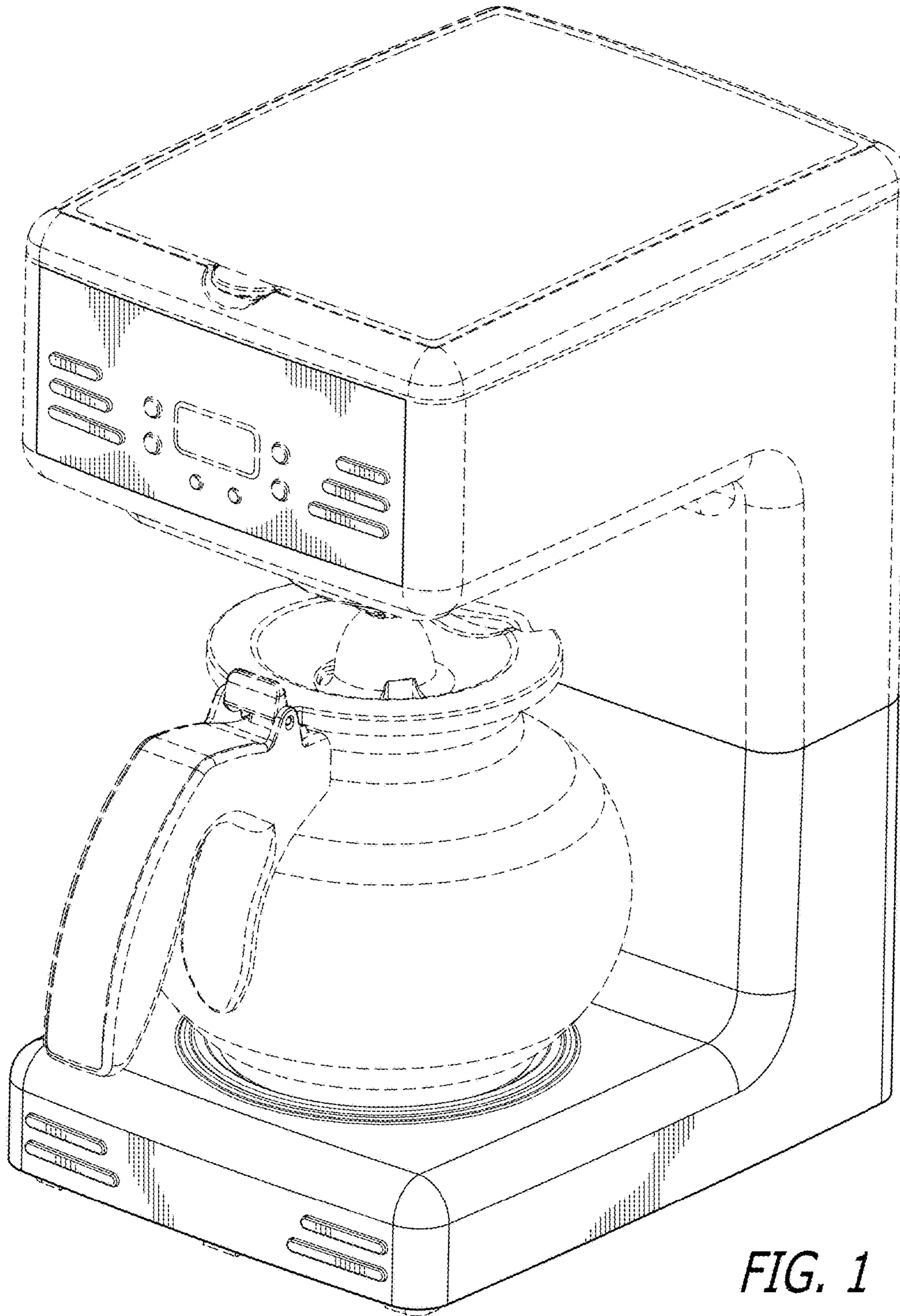


FIG. 1

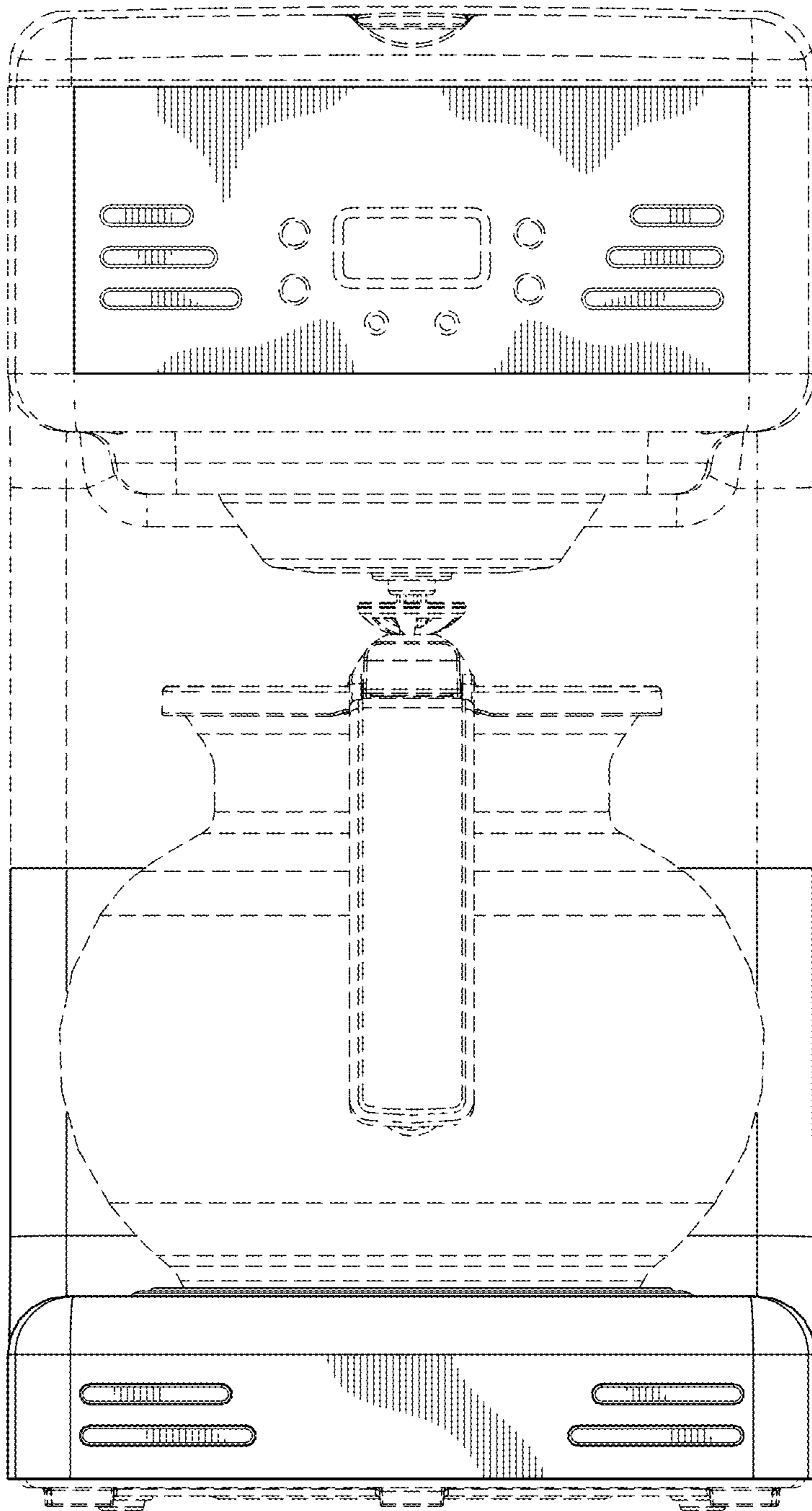


FIG. 2

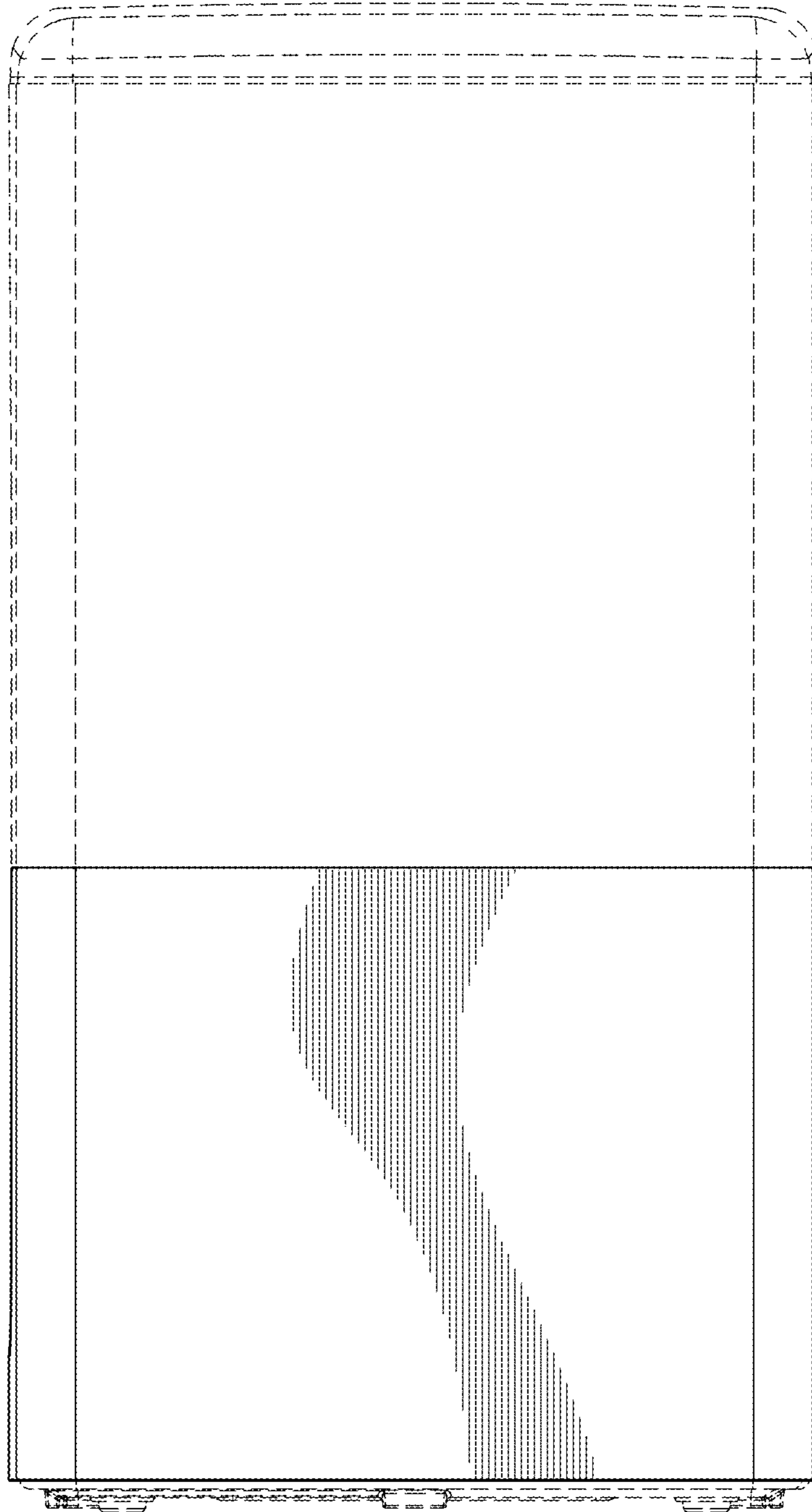


FIG. 3

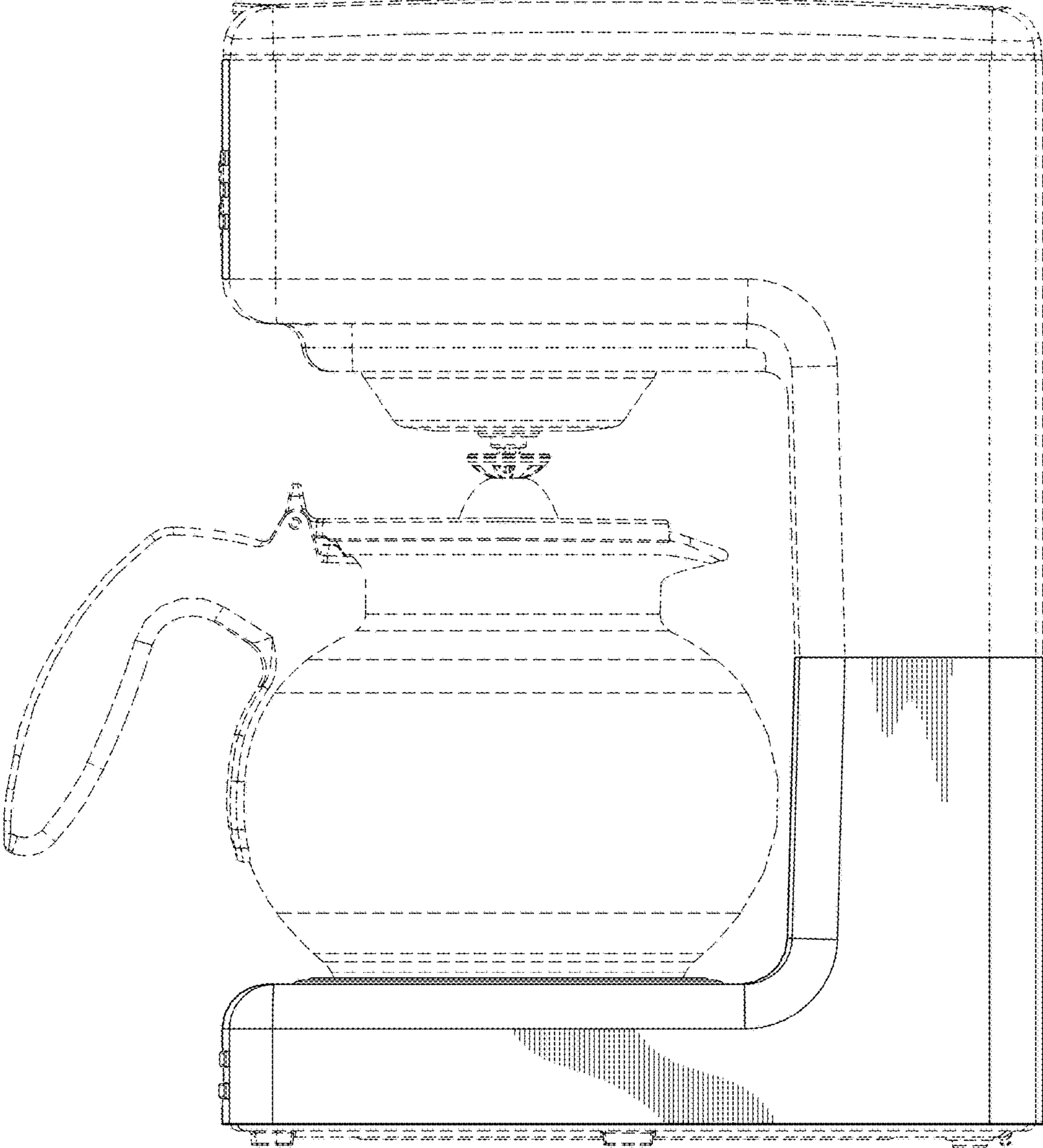


FIG. 4

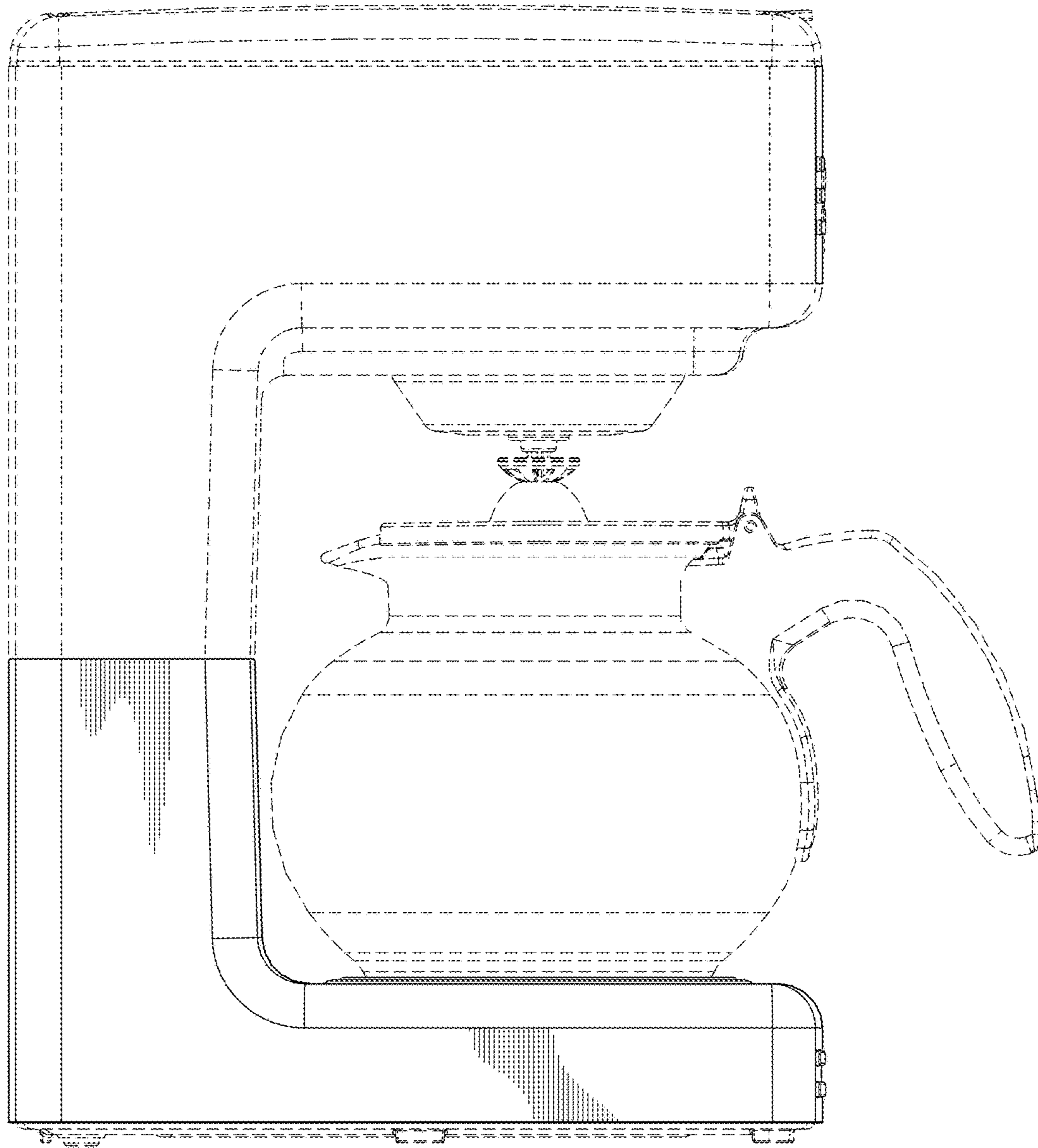


FIG. 5

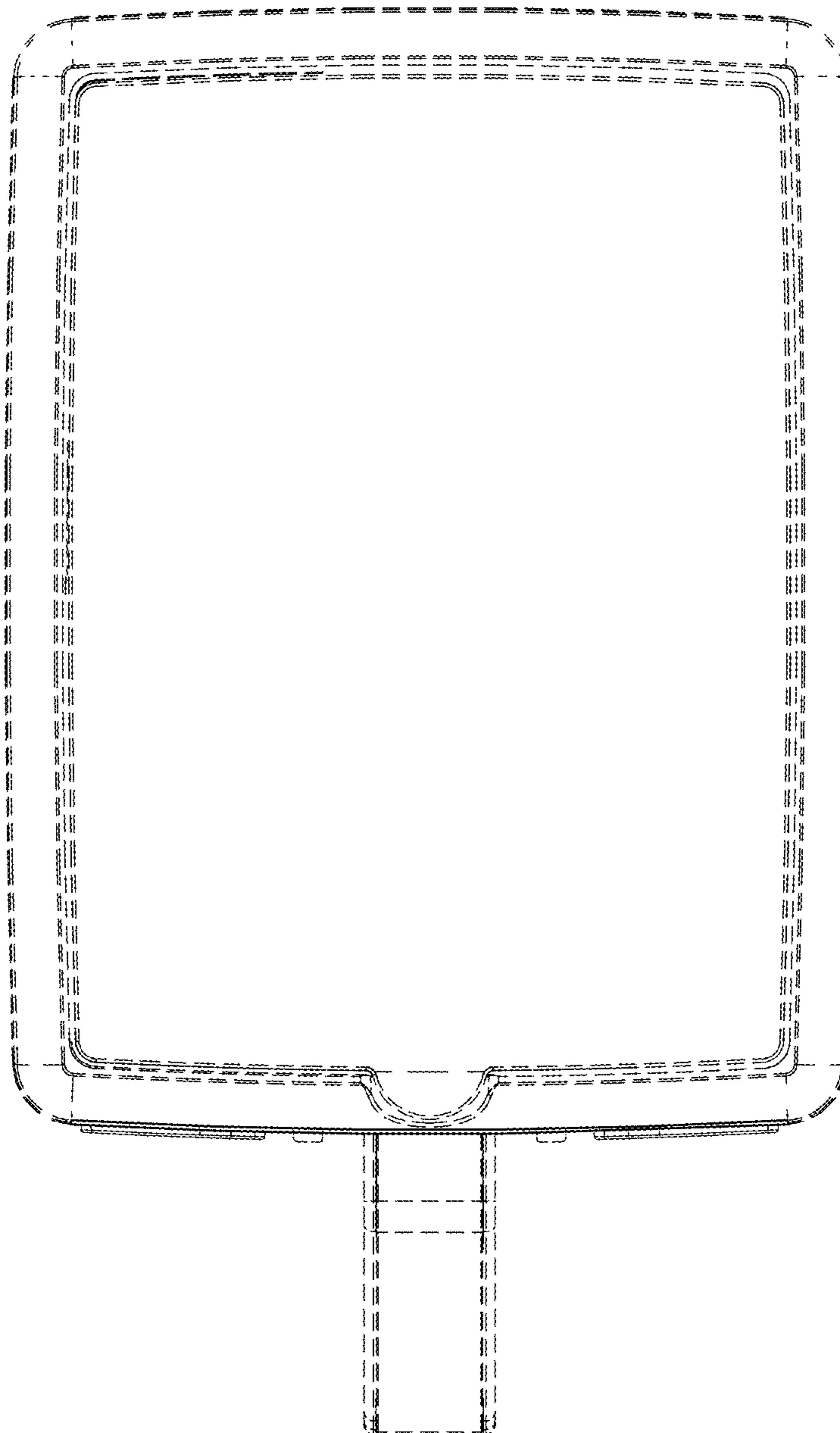


FIG. 6

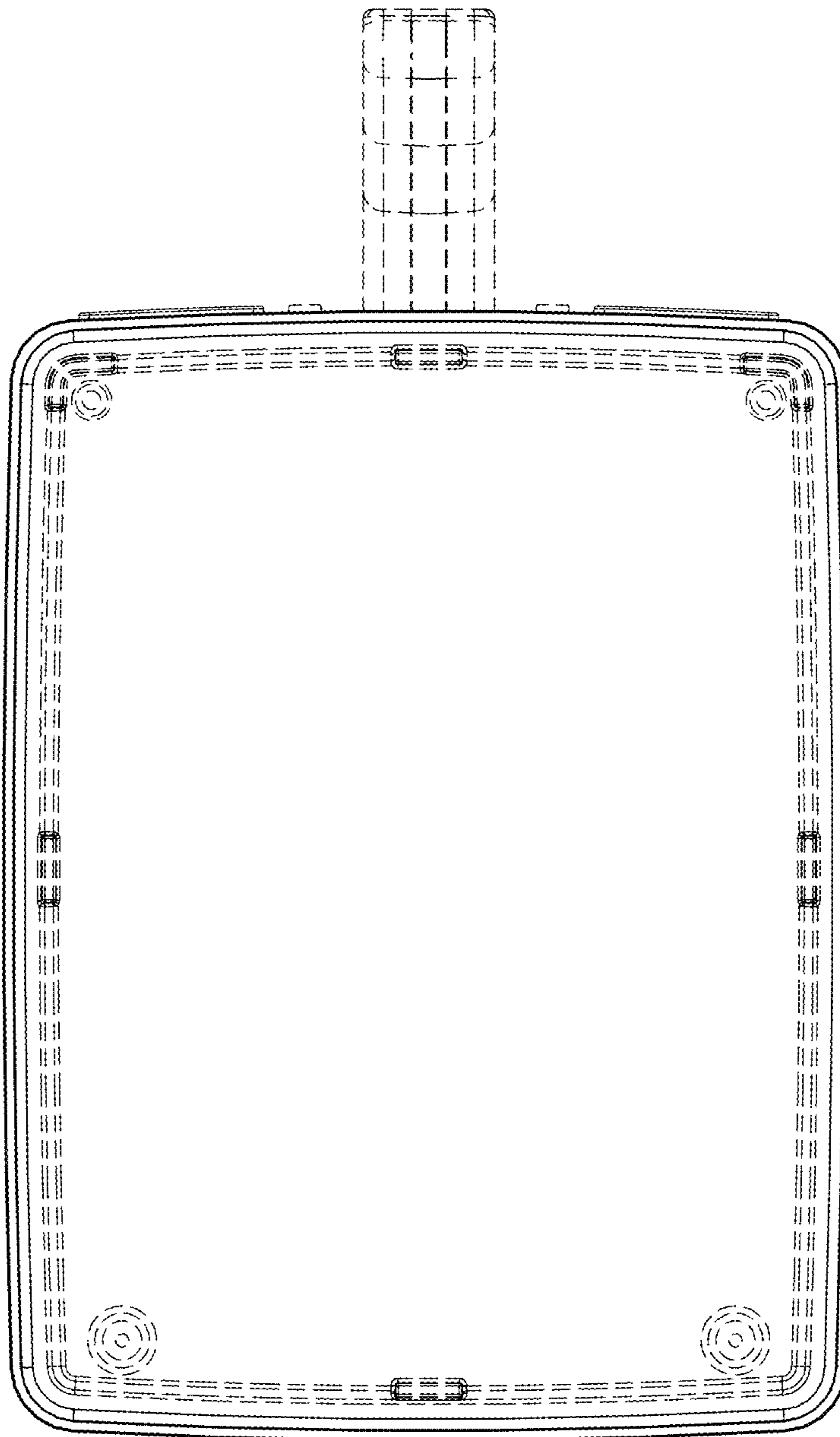


FIG. 7

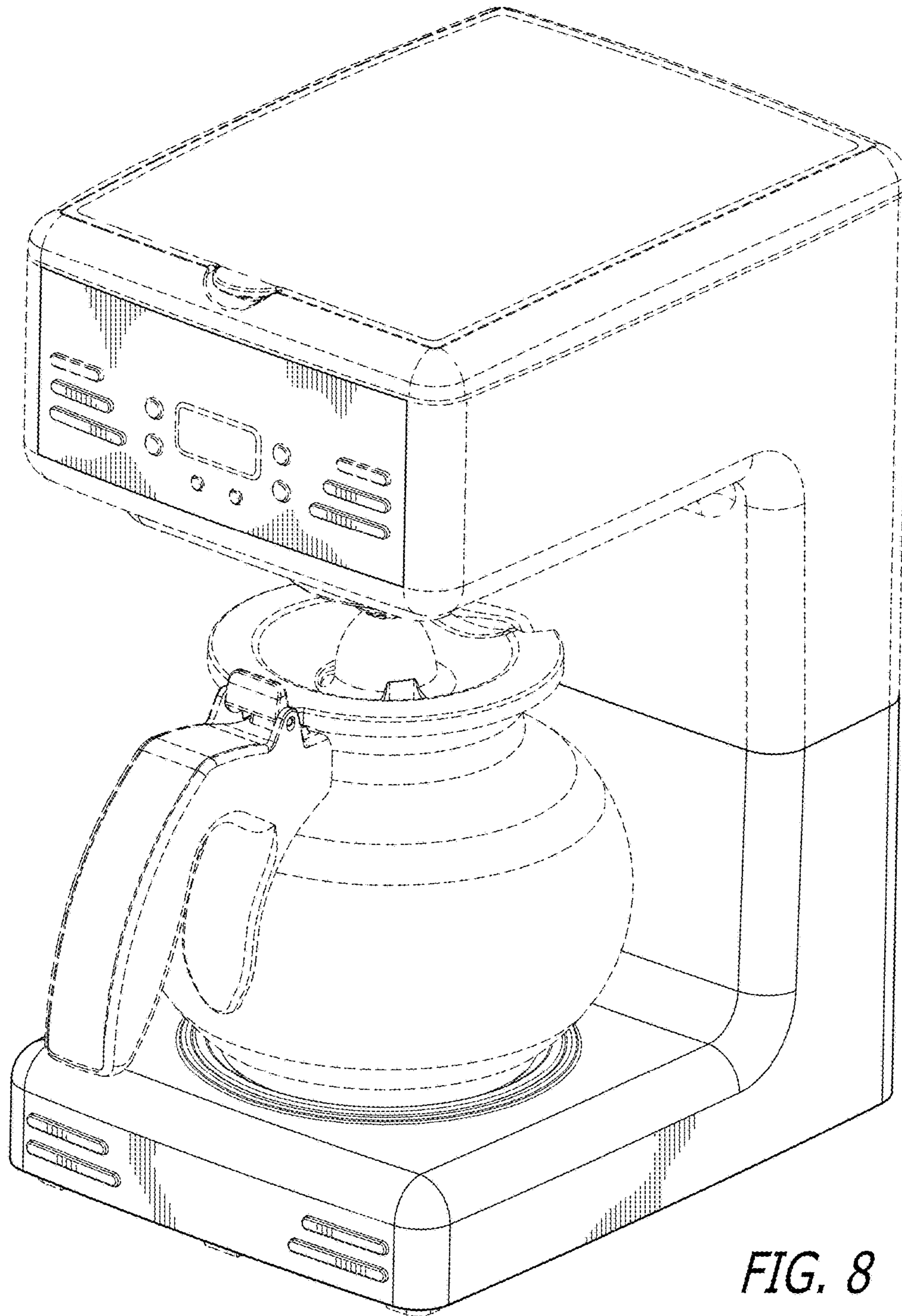


FIG. 8

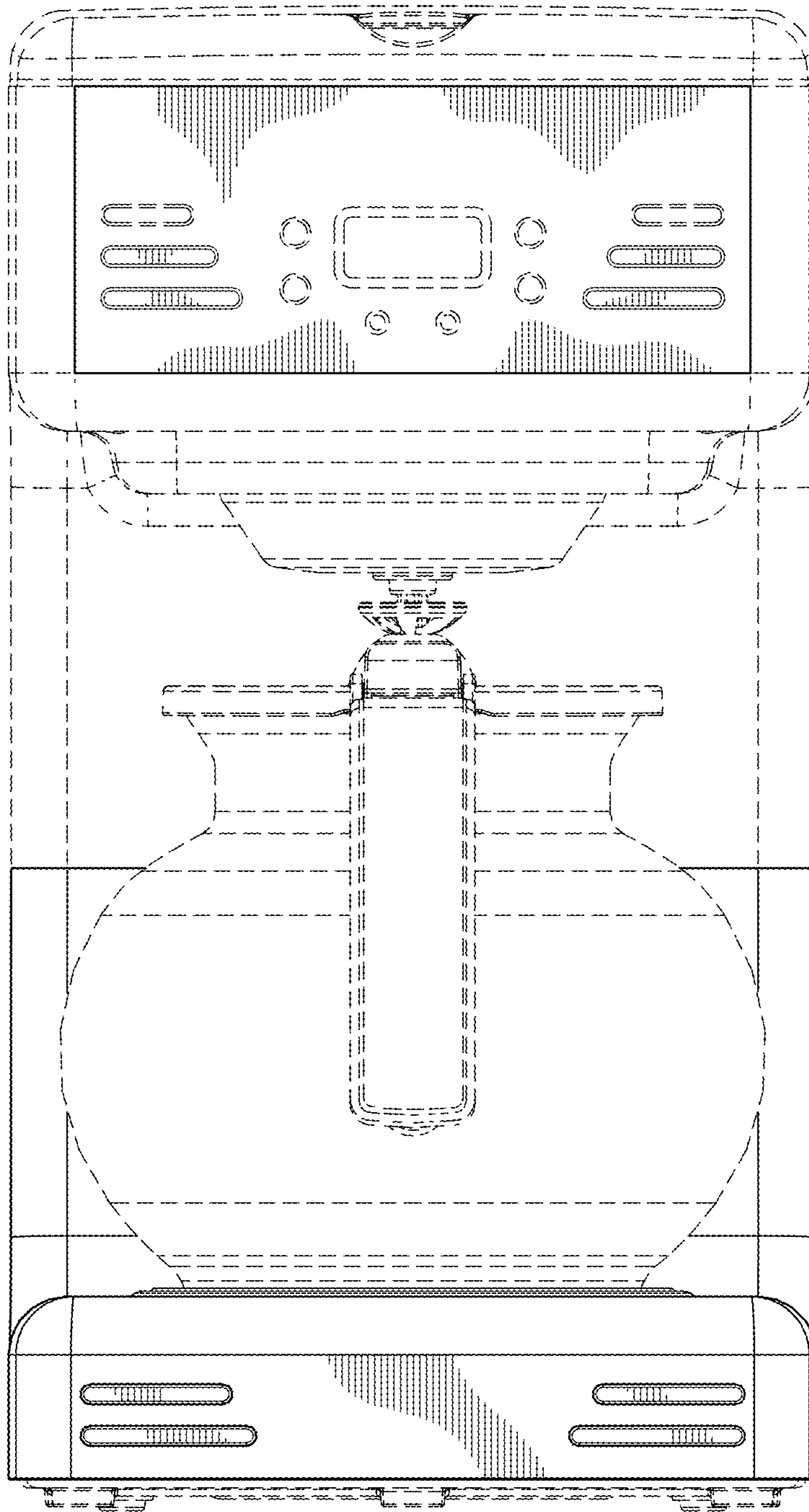


FIG. 9

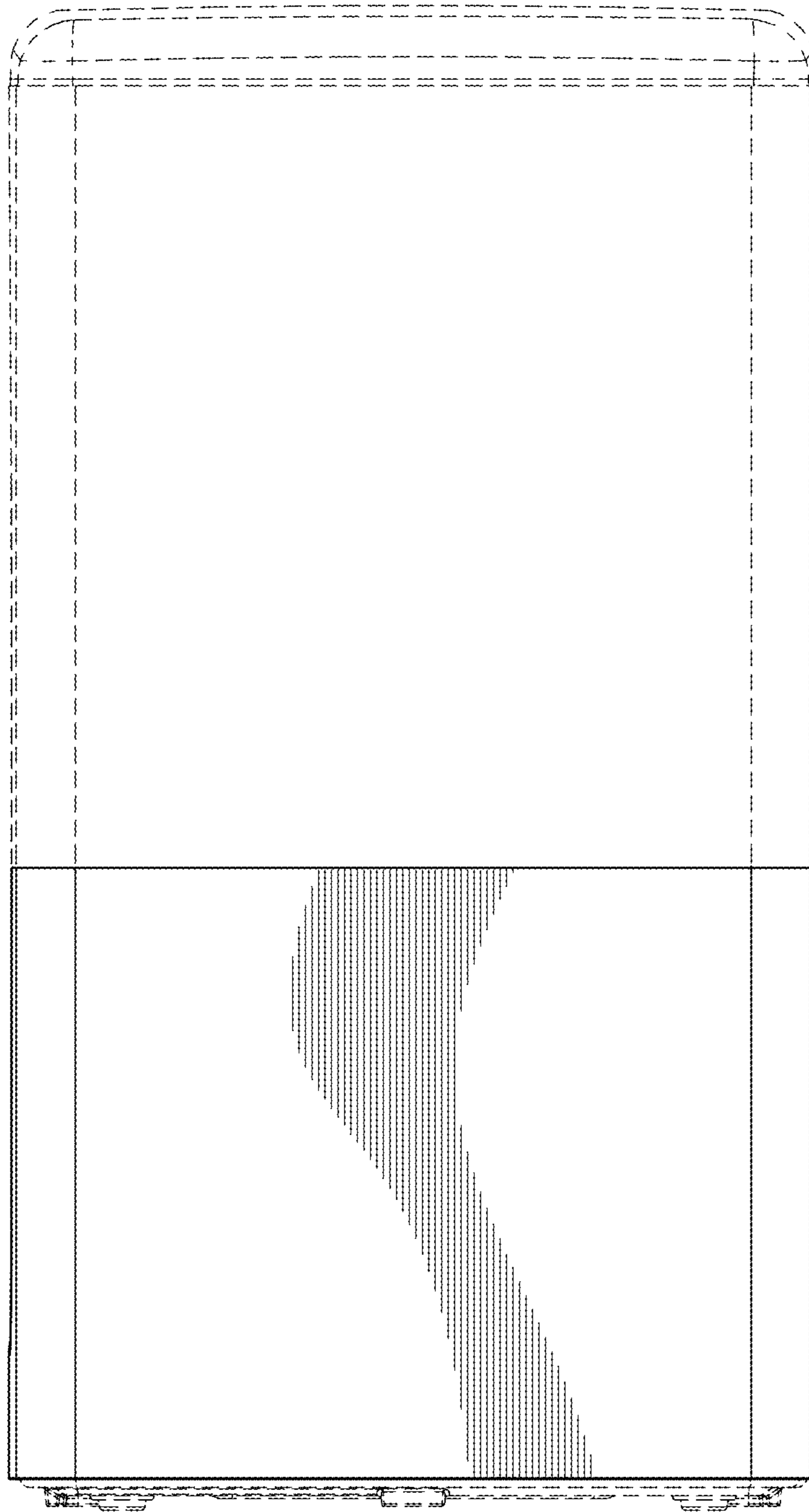


FIG. 10

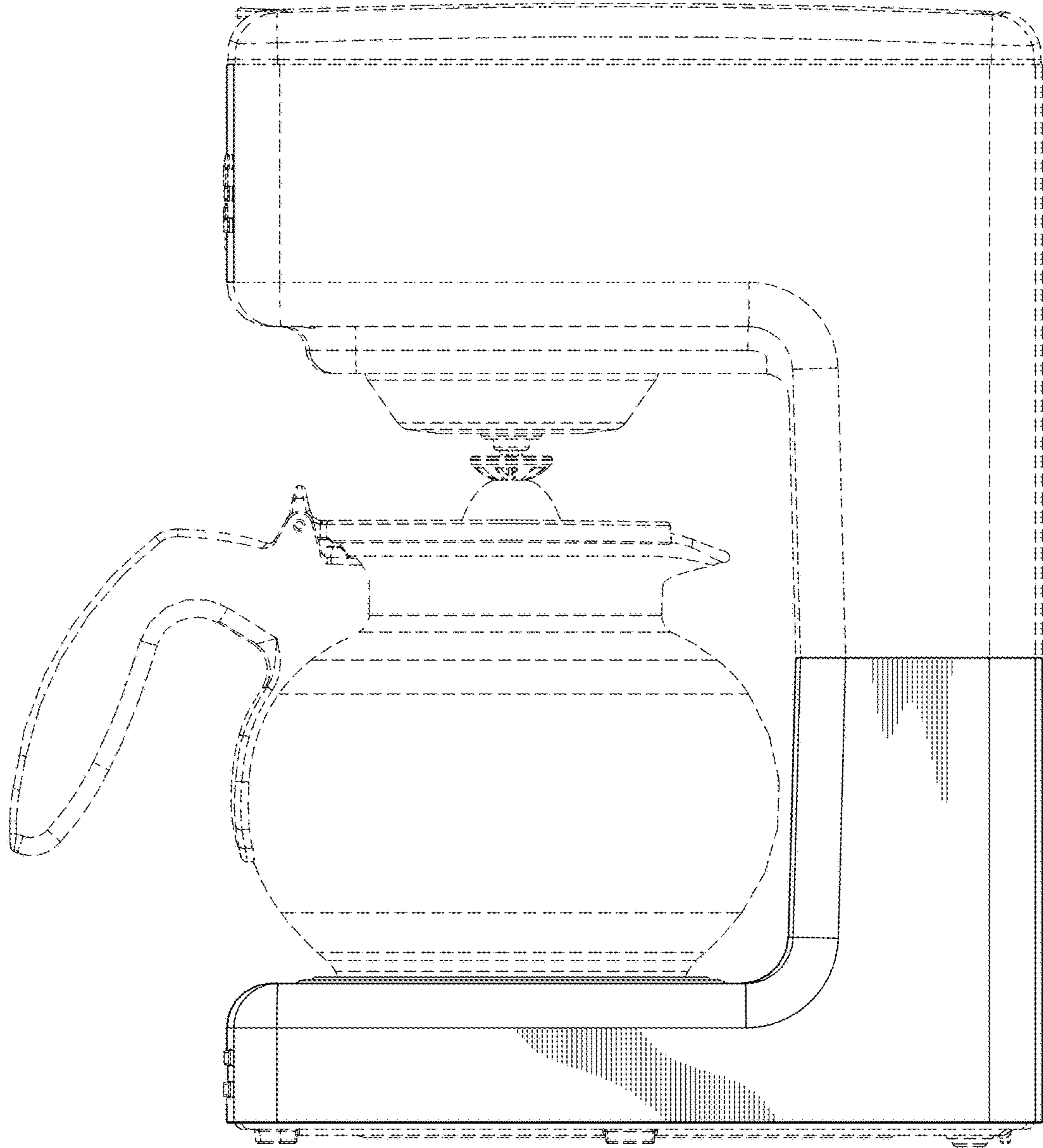


FIG. 11

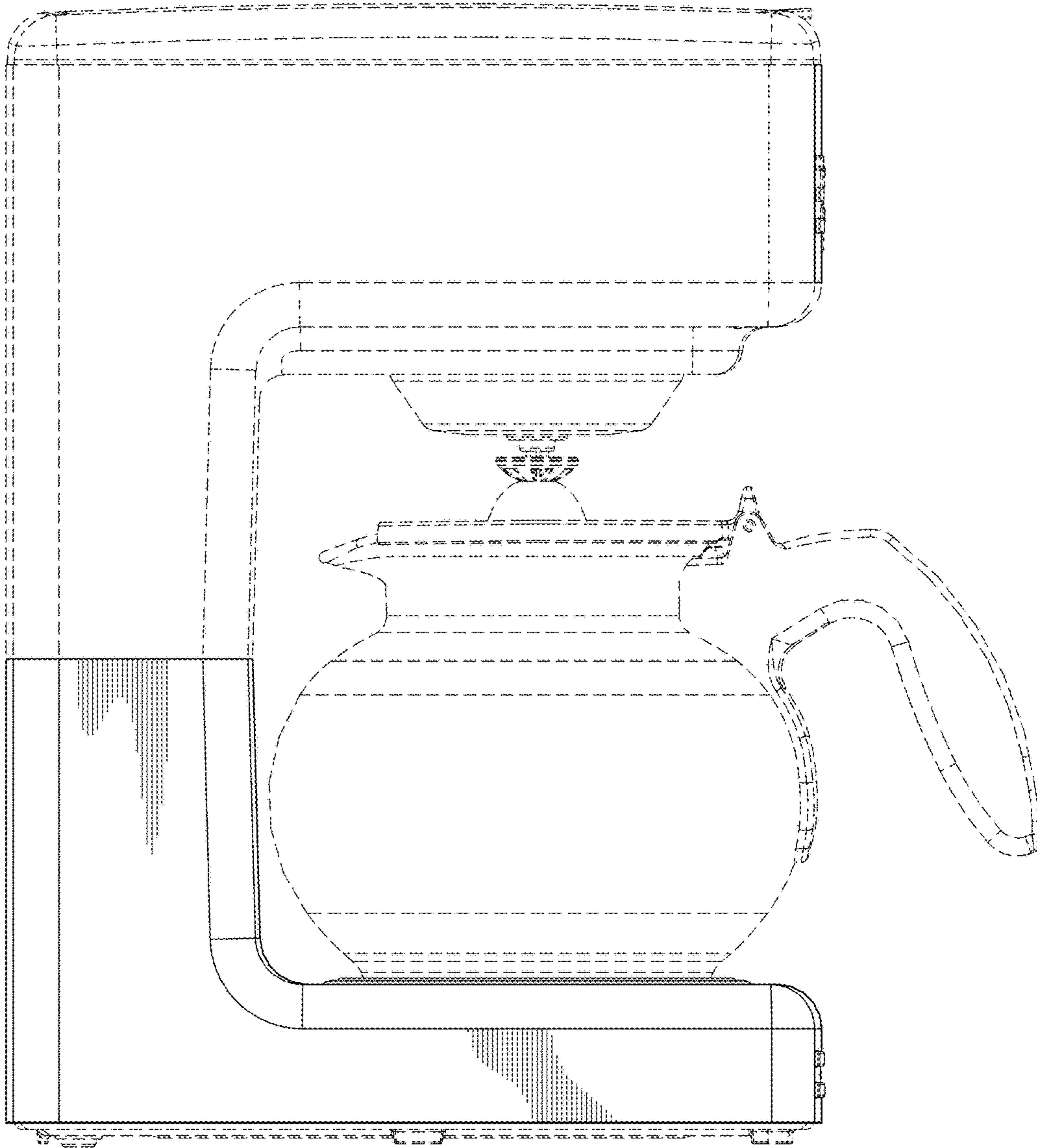


FIG. 12

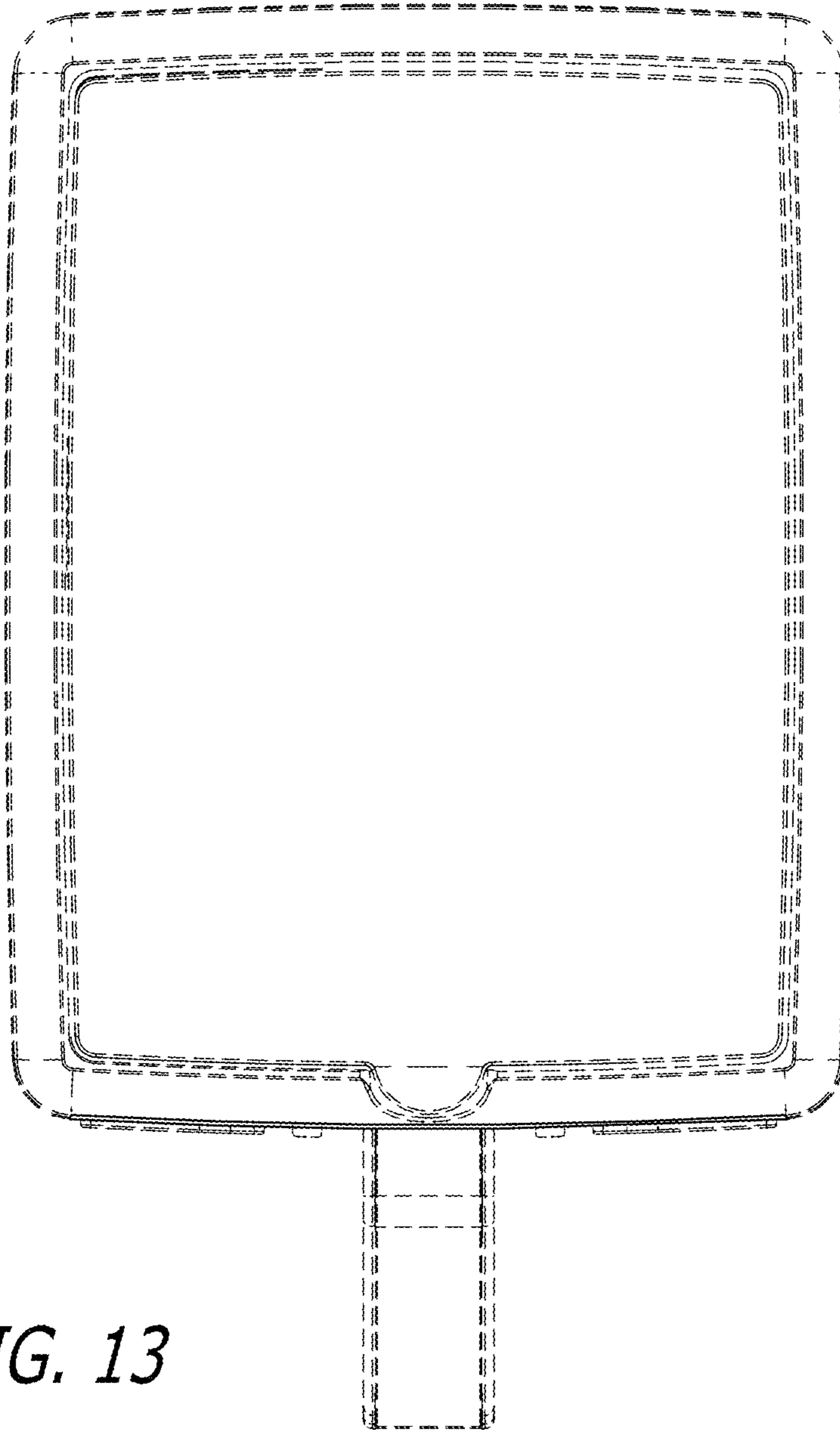


FIG. 13

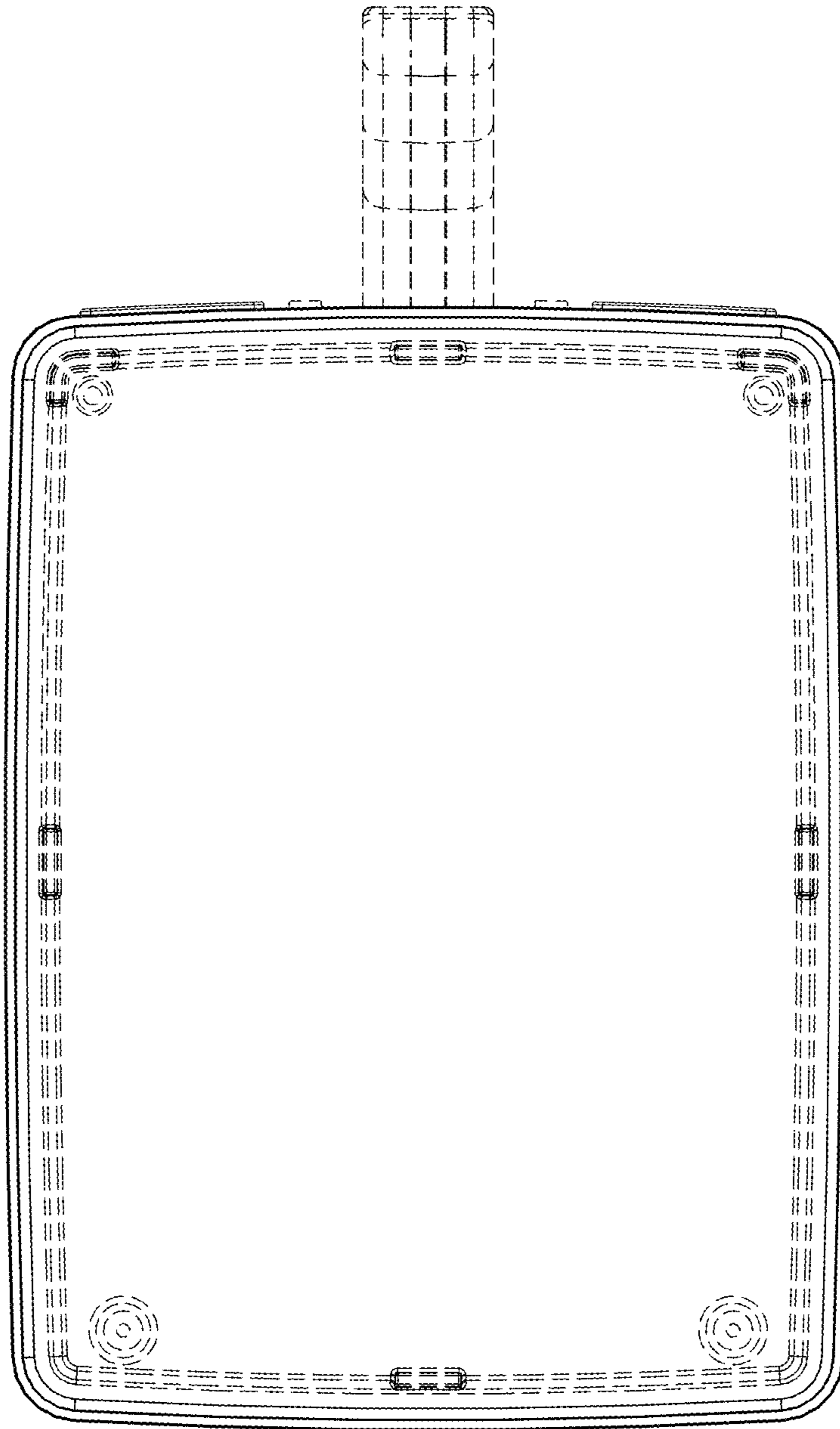


FIG. 14