



US00D791532S

(12) **United States Design Patent** (10) **Patent No.:** **US D791,532 S**
Yao (45) **Date of Patent:** **** Jul. 11, 2017**

(54) **CAP FOR CHILD’S BOTTLE**
(71) Applicant: **Hangzhou Everich Houseware Co., Ltd.**, Hangzhou, Zhejiang (CN)
(72) Inventor: **Huajun Yao**, Zhejiang (CN)
(73) Assignee: **HANGZHOU EVERICH HOUSEWARE CO., LTD.**, Hangzhou, Zhejiang (CN)

(**) Term: **15 Years**
(21) Appl. No.: **29/532,749**
(22) Filed: **Jul. 9, 2015**

(30) **Foreign Application Priority Data**
May 15, 2015 (CN) 2015 3 01443568
(51) **LOC (10) Cl.** **07-01**
(52) **U.S. Cl.**
USPC **D7/392.1**
(58) **Field of Classification Search**
USPC D7/391, 392, 392.1, 396.1, 396.2, 509, D7/510, 511, 620; D9/435, 436, 440, D9/447, 516
CPC A47G 19/2272
See application file for complete search history.

(56) **References Cited**
U.S. PATENT DOCUMENTS
D665,621 S * 8/2012 Eyal D7/392.1
D686,870 S * 7/2013 Young D7/392.1
8,550,269 B2 * 10/2013 Lane B65D 47/066
215/229
D745,323 S * 12/2015 Huey D7/511
D747,918 S * 1/2016 Herbst D7/392.1
D758,790 S * 6/2016 Boroski D7/392.1
D758,791 S * 6/2016 Hanna D7/392.1

D758,859 S * 6/2016 Sorensen D7/393
D760,586 S * 7/2016 Seiders D7/392.1
2004/0217139 A1 * 11/2004 Roth A45F 3/18
224/148.7
2015/0021346 A1 * 1/2015 Cappuccio A45F 5/00
220/735
2015/0230651 A1 * 8/2015 Molayem A47J 31/0636
99/322
2015/0282654 A1 * 10/2015 Kurabe A47G 19/2272
220/254.5

OTHER PUBLICATIONS

“Tervis Tumbler 24oz Water Bottle Review”. Found online Nov. 9, 2016 at the-gadgeteer.com. Page dated Apr. 8, 2012. Retrieved from <http://the-gadgeteer.com/2012/04/08/tervis-tumbler-24oz-water-bottle-review/>.*

(Continued)

Primary Examiner — Robert M Spear
Assistant Examiner — Kendra L Hamilton
(74) *Attorney, Agent, or Firm* — Global IP Services;
Tianhua Gu

(57) **CLAIM**
The ornamental design for a cap for child’s bottle, as shown and described.

DESCRIPTION

FIG. 1 is a front elevational view of a cap for child’s bottle, showing my new design;
FIG. 2 is a rear elevational view thereof;
FIG. 3 is a left side elevational view thereof;
FIG. 4 is a right side elevational view thereof;
FIG. 5 is a top plan view thereof;
FIG. 6 is a bottom plan view thereof;
FIG. 7 is a top front right perspective view thereof; and,
FIG. 8 is a bottom front left perspective view thereof.

1 Claim, 4 Drawing Sheets



(56)

References Cited

OTHER PUBLICATIONS

“KOR Nava Hydration Vessel Water Bottle Review”. Found online Nov. 9, 2016 at the-gadgeteer.com. Page dated Mar. 21, 2014. Retrieved from <http://the-gadgeteer.com/2014/03/21/kor-nava-hydration-vessel-water-bottle-review/>.*

“Lifefactory 22oz BPA-Free Glass Water Bottle with Flip Cap”. Found online Oct. 26, 2016 at amazon.com. Page dated Jan. 21, 2012. Retrieved from https://www.amazon.com/Lifefactory-22-Ounce-BPA-Free-Bottle-Silicone/dp/B01JIHJYOI/ref=pd_day0_79_22?_encoding=UTF8&refRID=YW47QZQ73YFSYXXEHXG2.*

“Klean Kanteen Wide Mouth Water Bottle with Loop Cap”. Found online Oct. 12, 2016 at amazon.com. Page dated Dec. 5, 2009. Retrieved from https://www.amazon.com/Klean-Kanteen-Mouth-Water-Bottle/dp/B002VIZ6IU/ref=cm_cr_ar_p_d_product_top?ie=UTF8.*

* cited by examiner

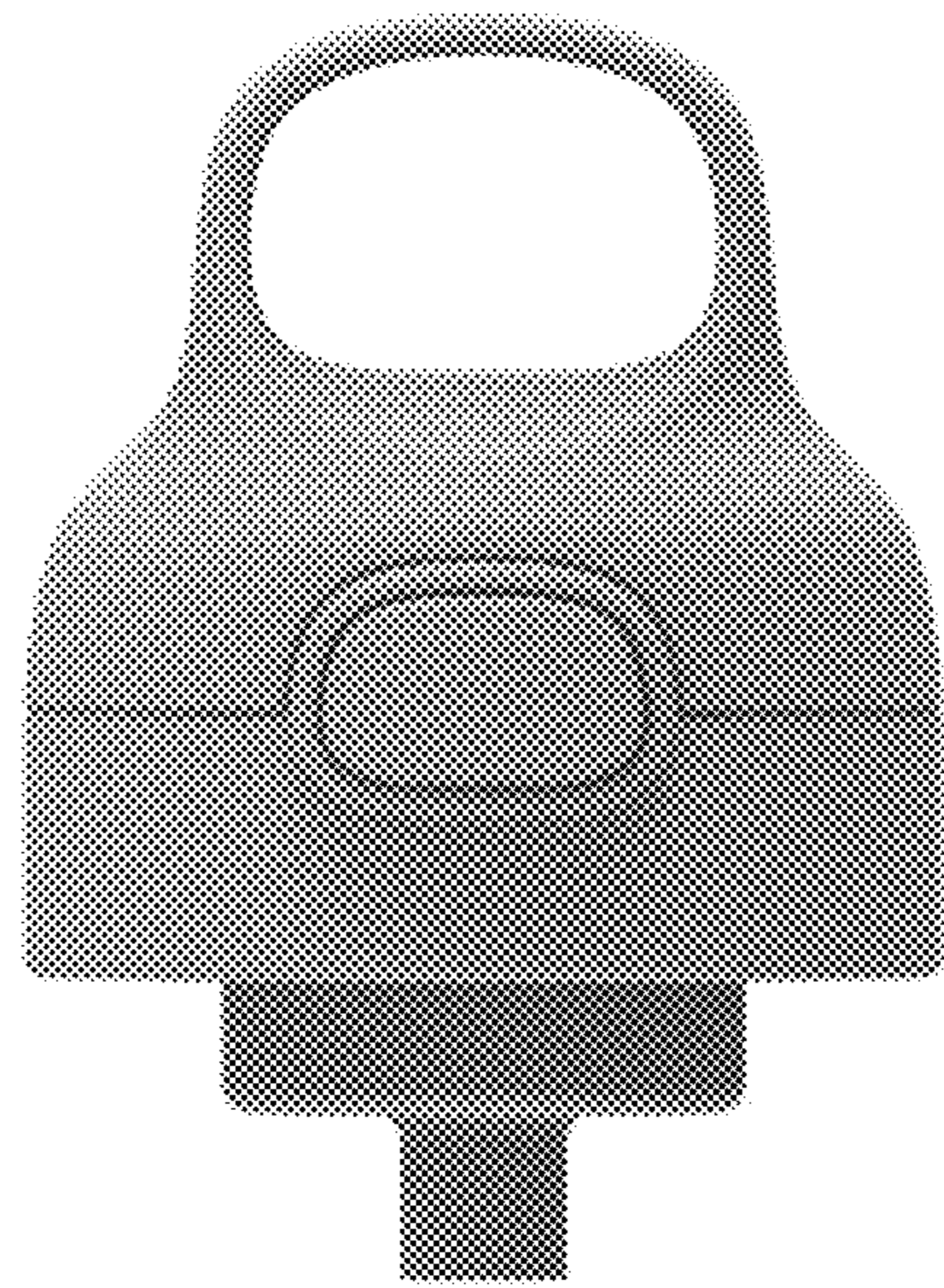


Fig. 1

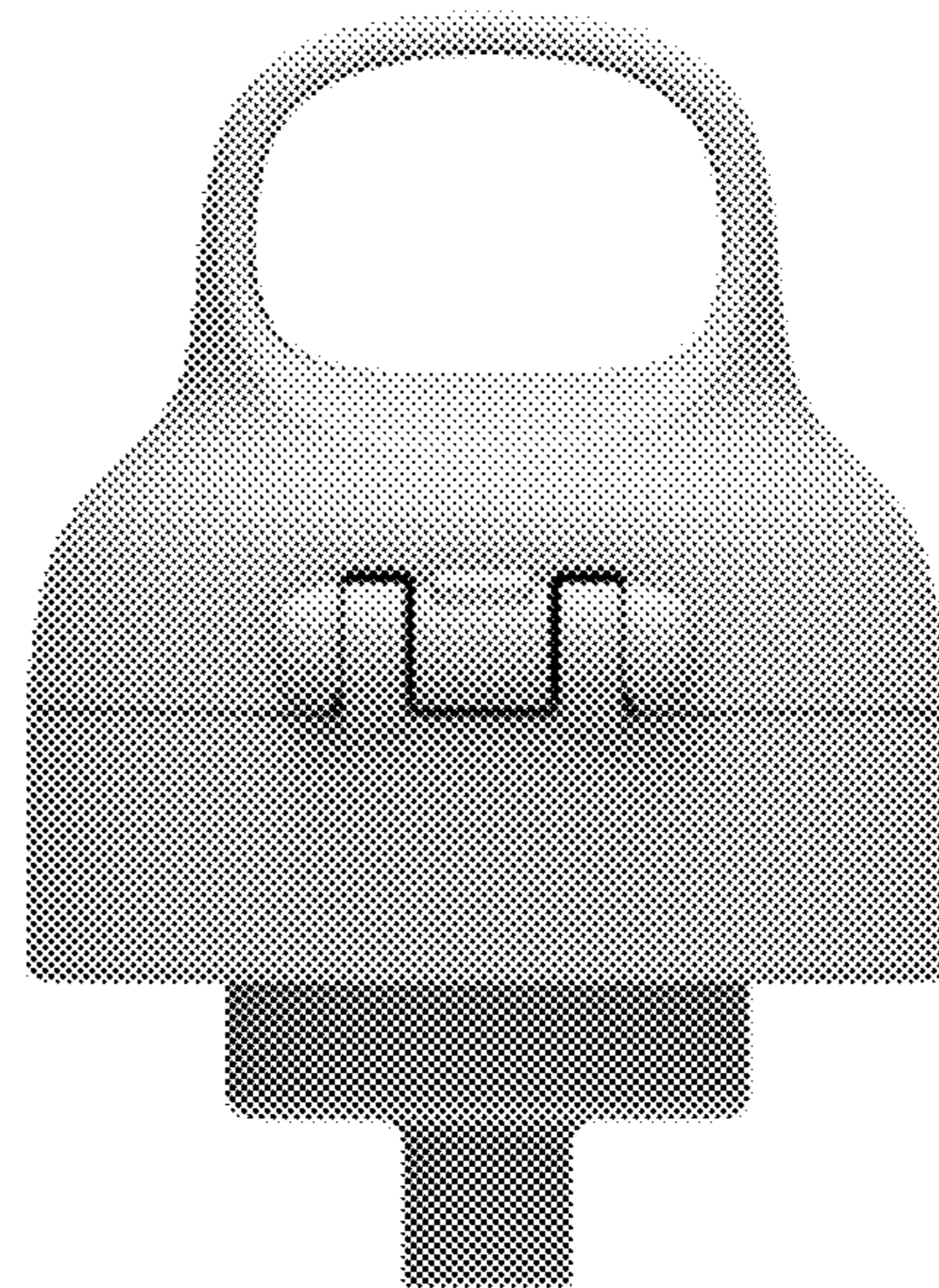


Fig. 2

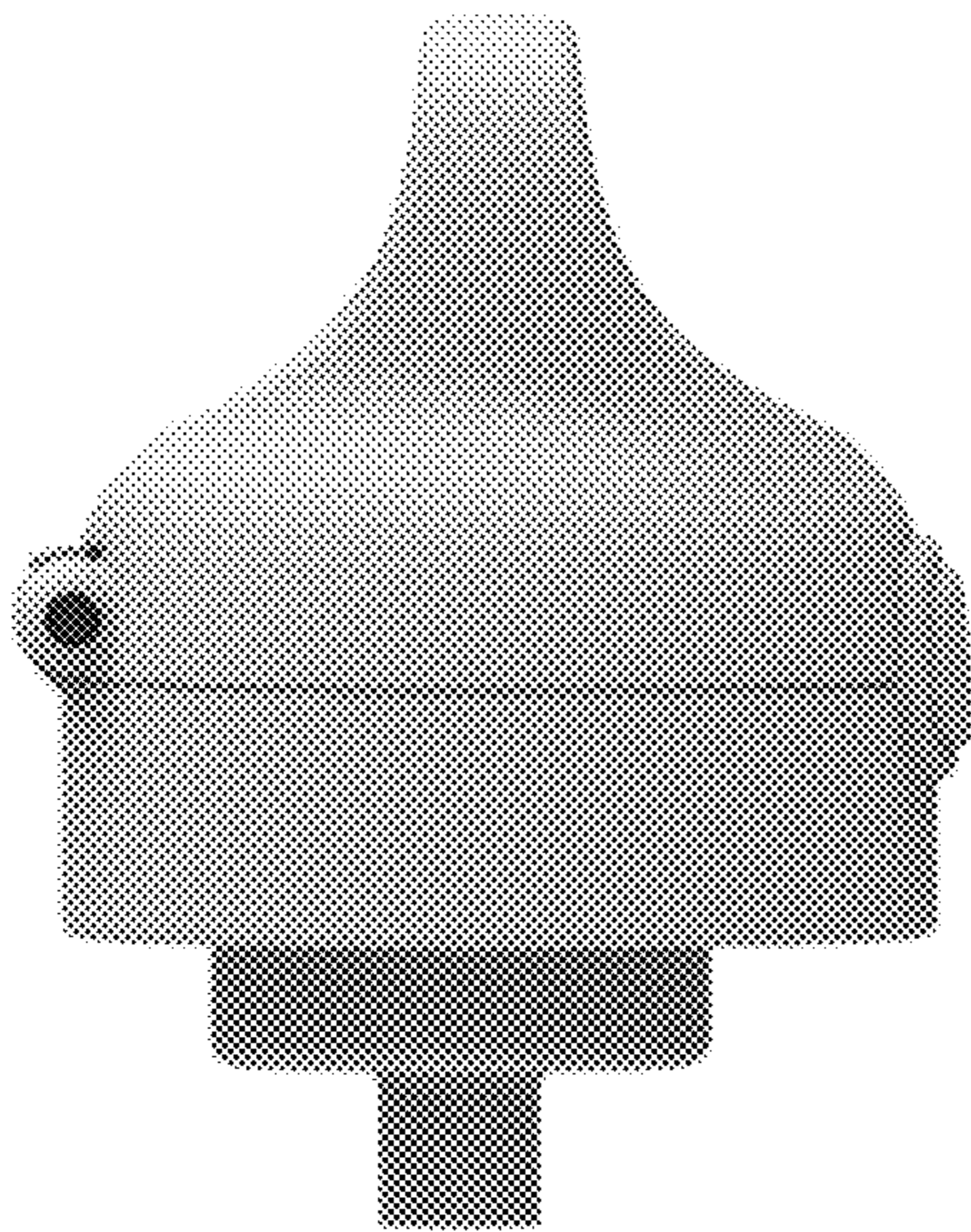


Fig. 3

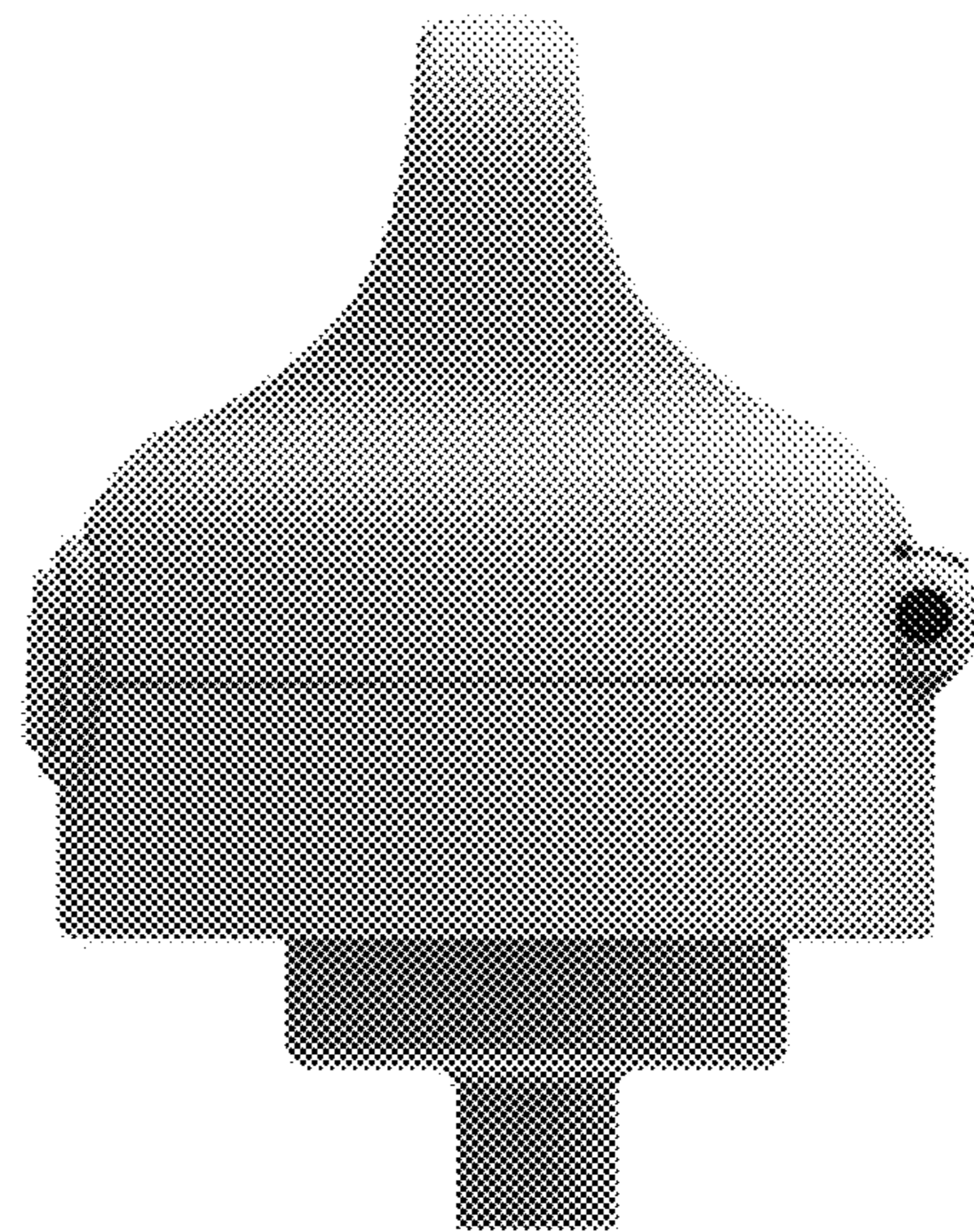


Fig. 4

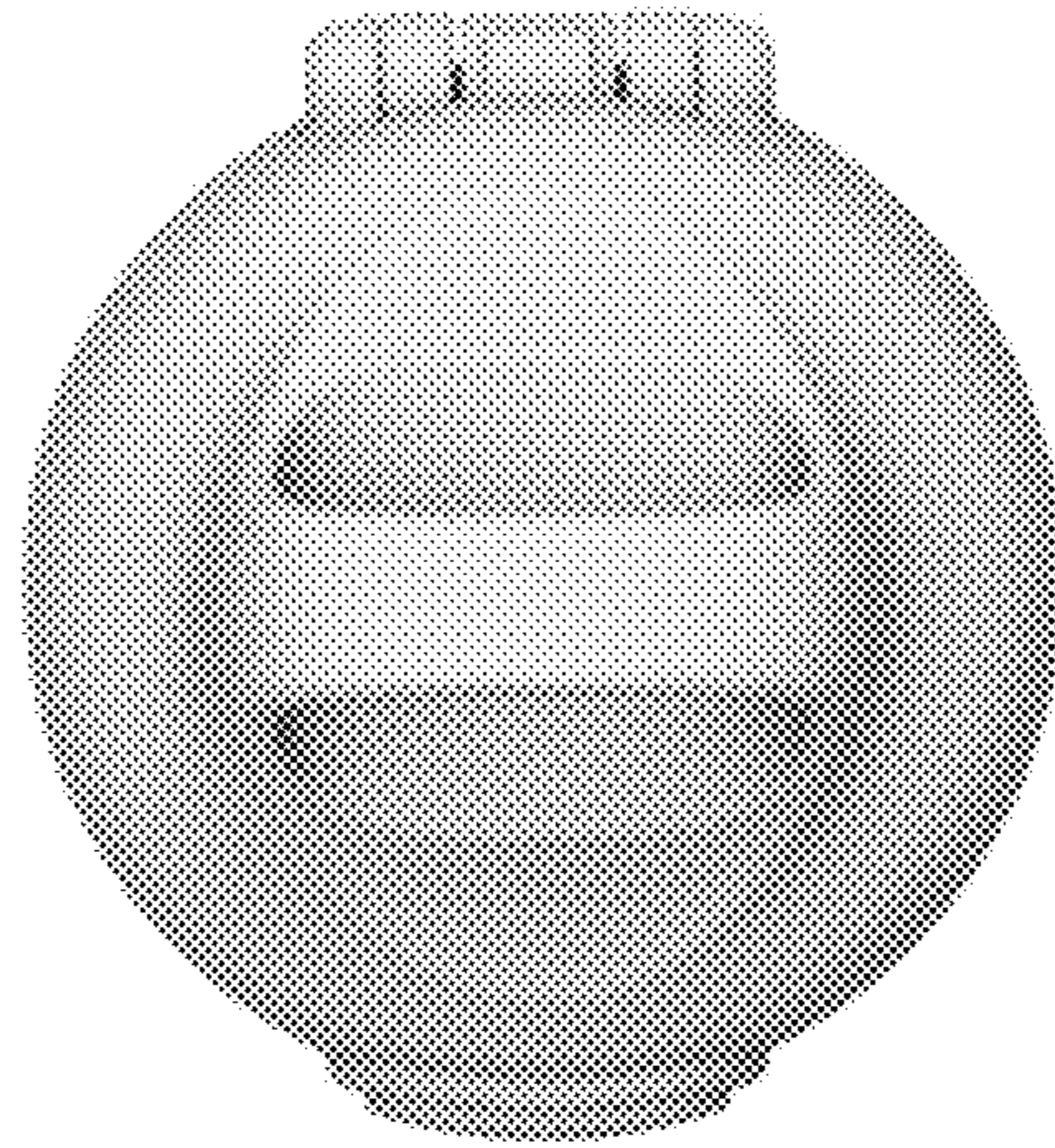


Fig. 5

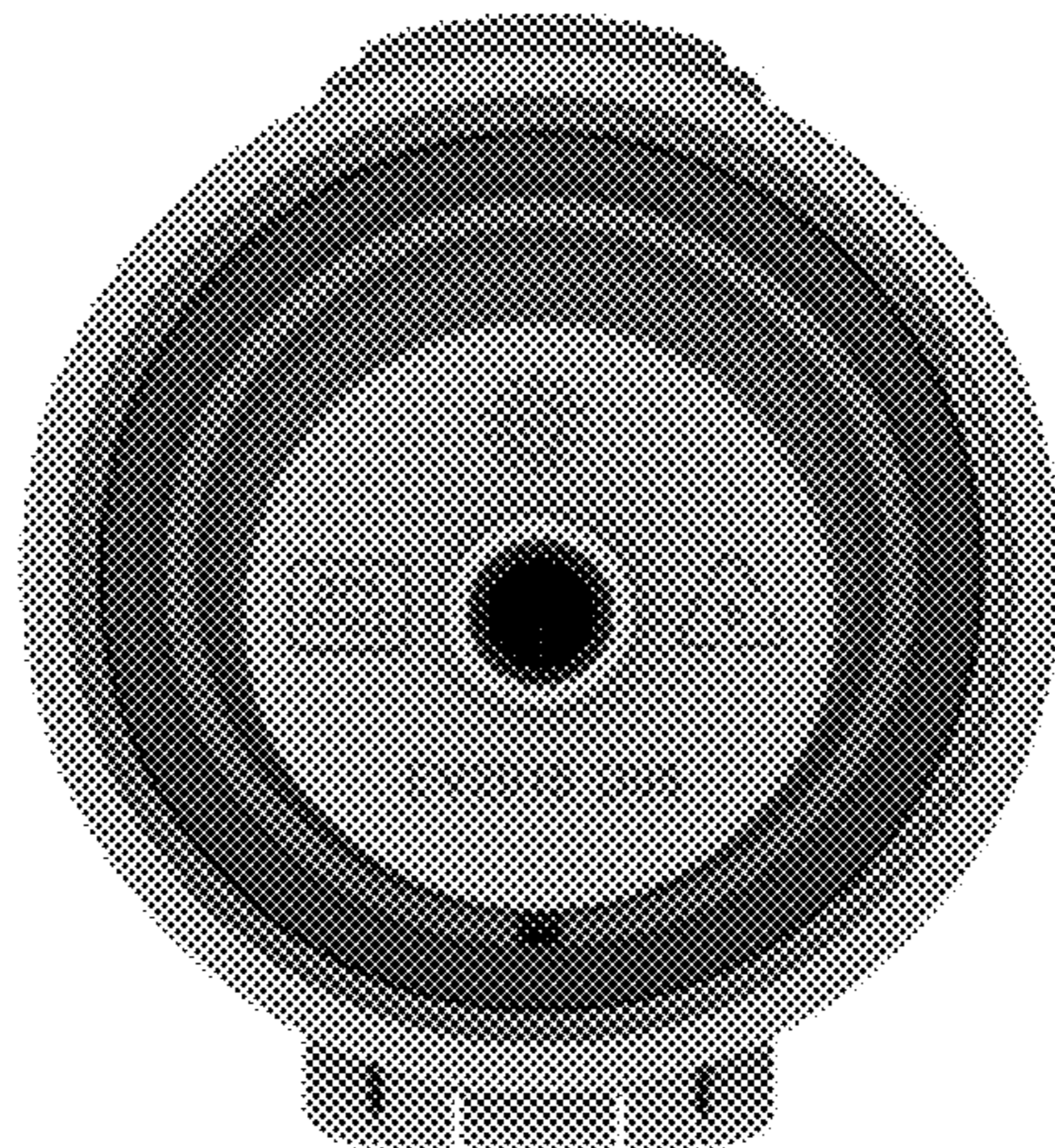


Fig. 6

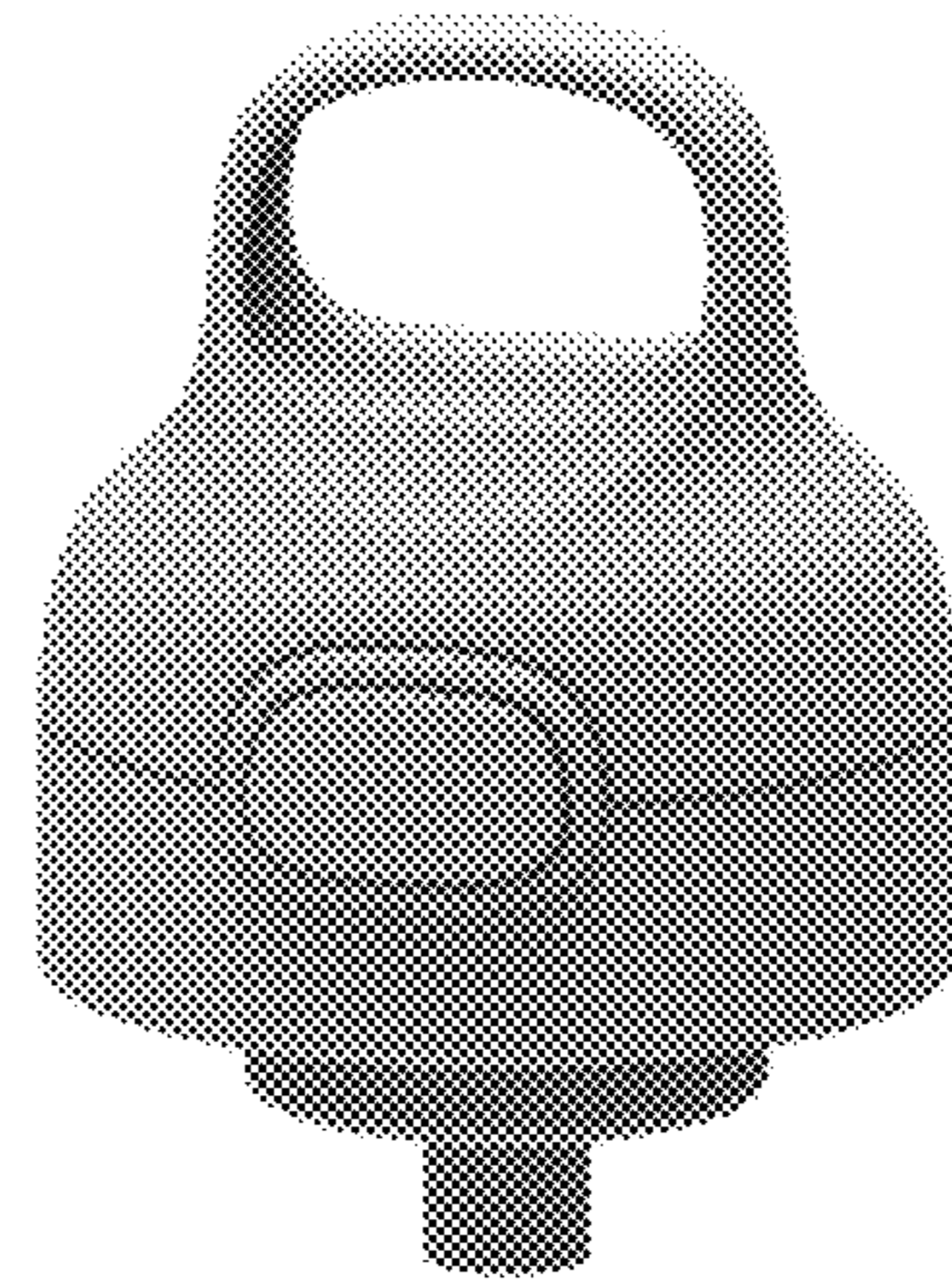


Fig. 7

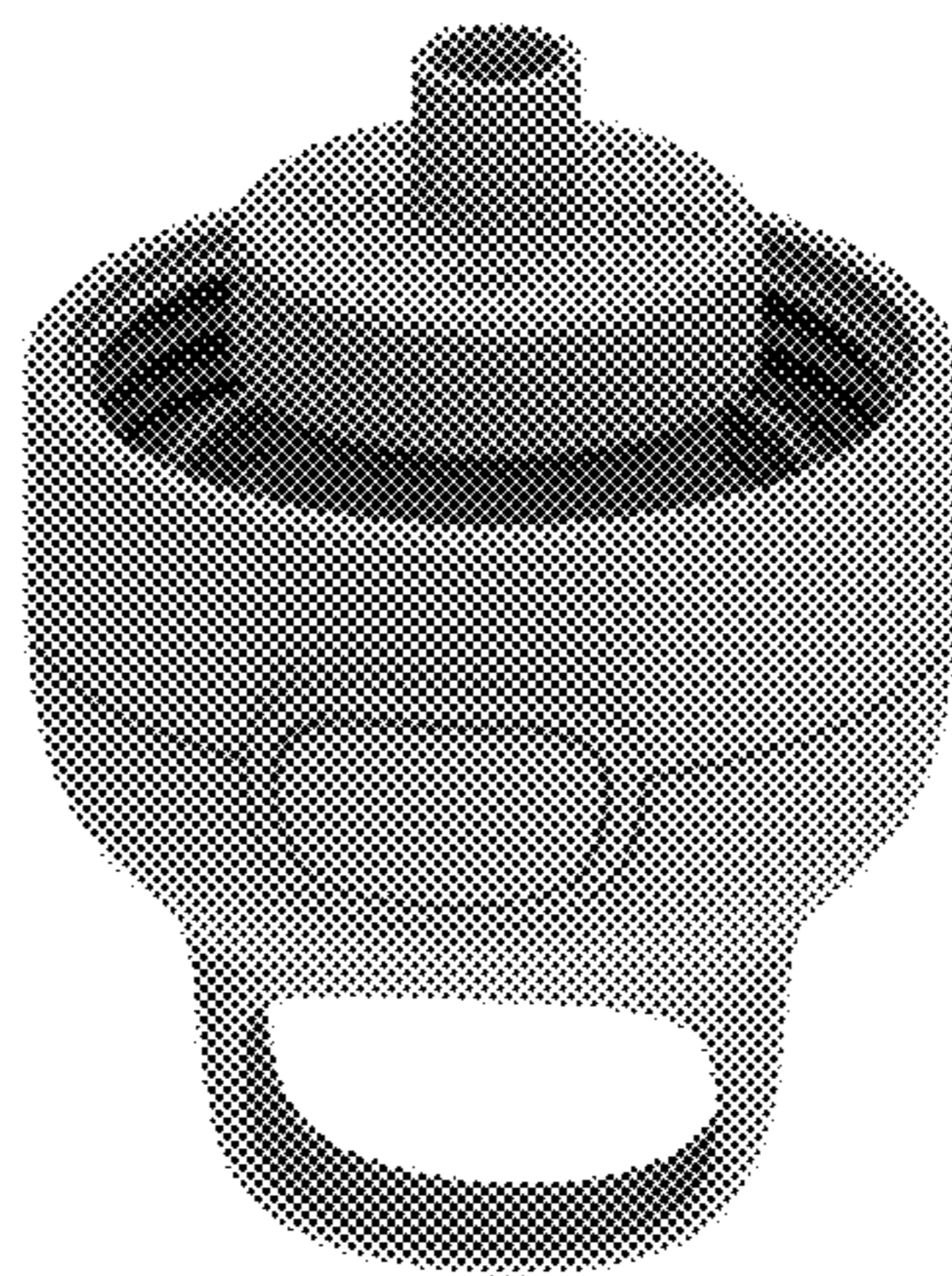


Fig. 8