



US00D791531S

(12) **United States Design Patent** (10) **Patent No.:** **US D791,531 S**
Lyn et al. (45) **Date of Patent:** **** *Jul. 11, 2017**

(54) **COFFEE GRINDER**

(56) **References Cited**

(71) Applicants: **Craig Lyn**, Los Angeles, CA (US);
Douglas Weber, San Francisco, CA (US)

U.S. PATENT DOCUMENTS

(72) Inventors: **Craig Lyn**, Los Angeles, CA (US);
Douglas Weber, San Francisco, CA (US)

D400,767	S	*	11/1998	de Saint-Genois	D7/673
D420,248	S	*	2/2000	Uemura	D7/373
6,732,622	B2	*	5/2004	Vincent	A47J 43/25 30/279.6
D532,261	S	*	11/2006	Mellen	D7/673
D538,099	S	*	3/2007	Fouquet	D7/373
D564,829	S	*	3/2008	Cohen	D7/384
7,543,768	B2	*	6/2009	Cohen	B26D 3/283 241/100
D618,066	S	*	6/2010	De Buyer	D7/673
D632,139	S	*	2/2011	Repac	D7/673
D650,642	S	*	12/2011	Fung	D7/673
D651,483	S	*	1/2012	Bagley	D7/673
D653,905	S	*	2/2012	Bodum	D7/373

(73) Assignee: **STRATEGIC EXITS LLC**, Los Angeles, CA (US)

(*) Notice: This patent is subject to a terminal disclaimer.

(**) Term: **15 Years**

* cited by examiner

(21) Appl. No.: **29/538,534**

Primary Examiner — Ricky Pham

(22) Filed: **Sep. 4, 2015**

(74) *Attorney, Agent, or Firm* — Craig Lyn; Douglas Weber

(51) **LOC (10) Cl.** **31-00**

(52) **U.S. Cl.**
USPC **D7/373**

(57) **CLAIM**

(58) **Field of Classification Search**
USPC D7/372-373, 376-386, 412-413, 602,
D7/629, 665-666, 669, 673, 679,
D7/693-694

The ornamental design for a coffee grinder, as shown and described.

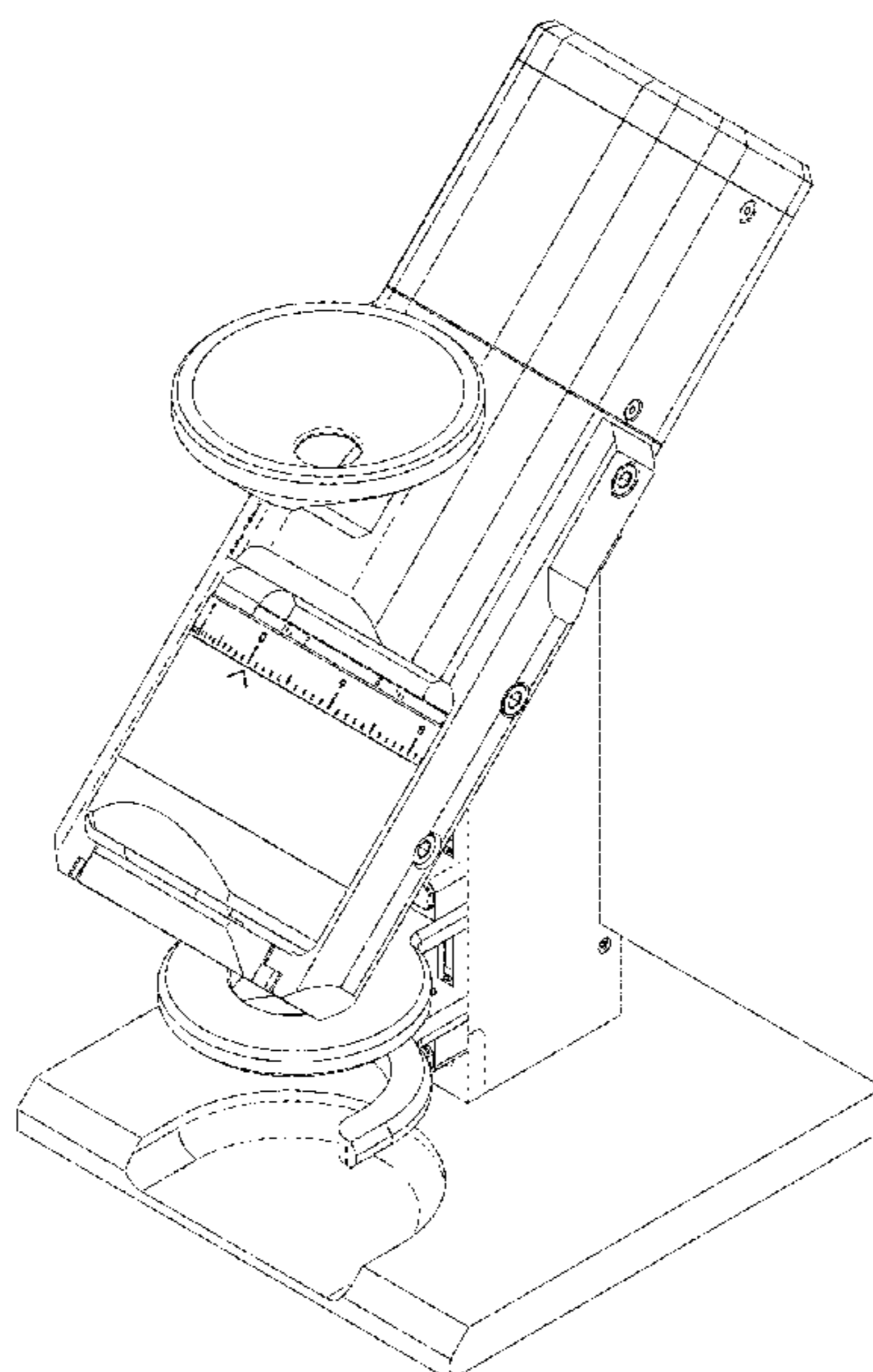
CPC A21C 1/02; A21C 1/04; A23N 1/00; A23N 1/02; A47J 43/04; A47J 43/25; A47J 43/27; A47J 43/042; A47J 43/044; A47J 43/046; A47J 43/075; A47J 43/0722; A47J 43/0727; B01F 3/00; B01F 3/0807; B01F 3/0853; B01F 13/0059; B01F 13/0064; B02C 1/08; B02C 2/04; B02C 4/42; B02C 4/142; B02C 4/143; B02C 4/423; B02C 13/1835; B28C 5/10; B28C 5/12; B28C 5/14; B28C 5/16; B26D 3/283

DESCRIPTION

FIG. 1 is a perspective view of the coffee grinder showing our new design;
FIG. 2 is a front elevation view thereof;
FIG. 3 is a rear elevation view thereof;
FIG. 4 is a side view thereof, the opposite side being a mirror image thereof;
FIG. 5 is a top view thereof; and,
FIG. 6 is a bottom view thereof.

See application file for complete search history.

1 Claim, 6 Drawing Sheets



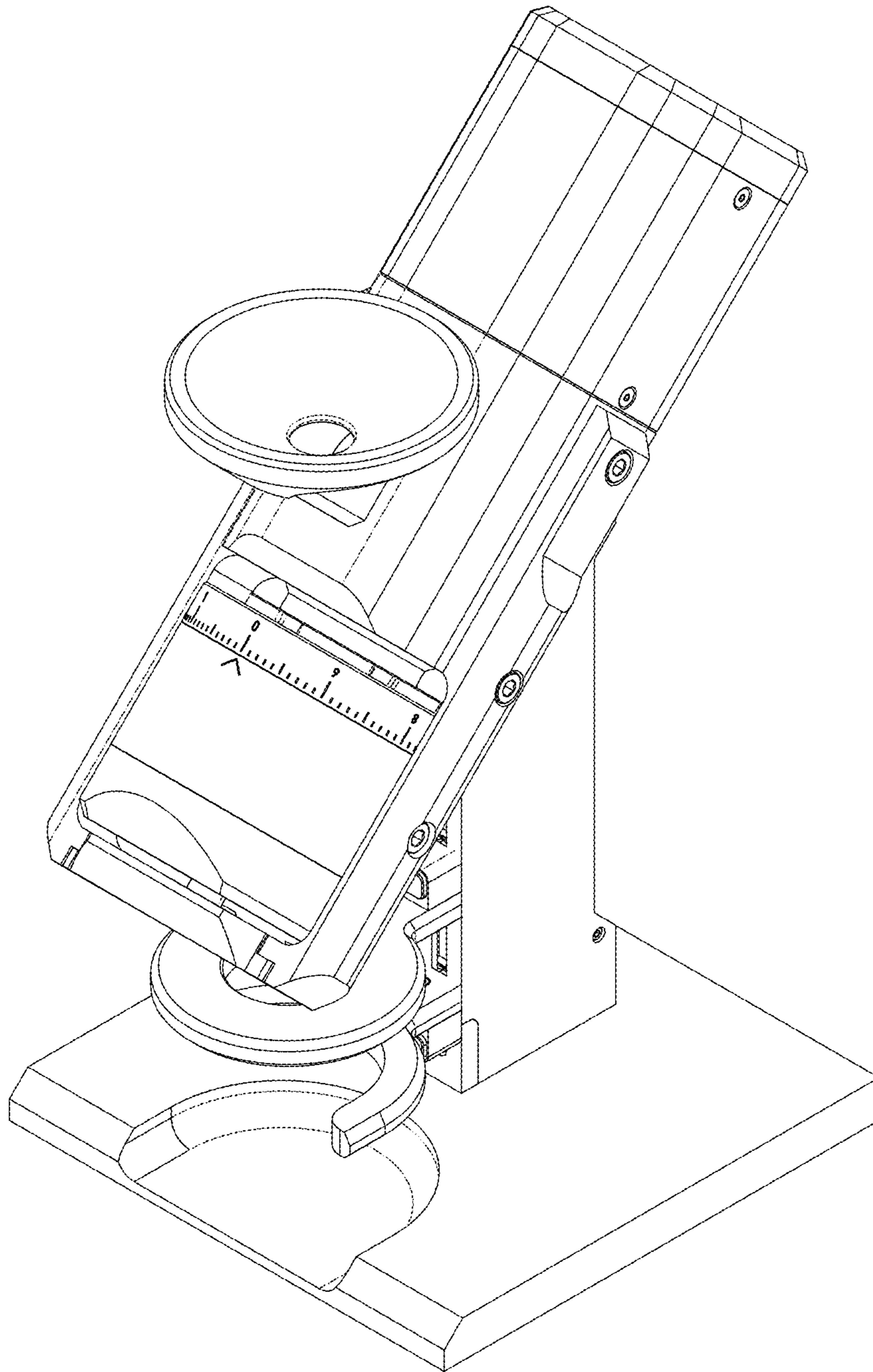


FIGURE 1

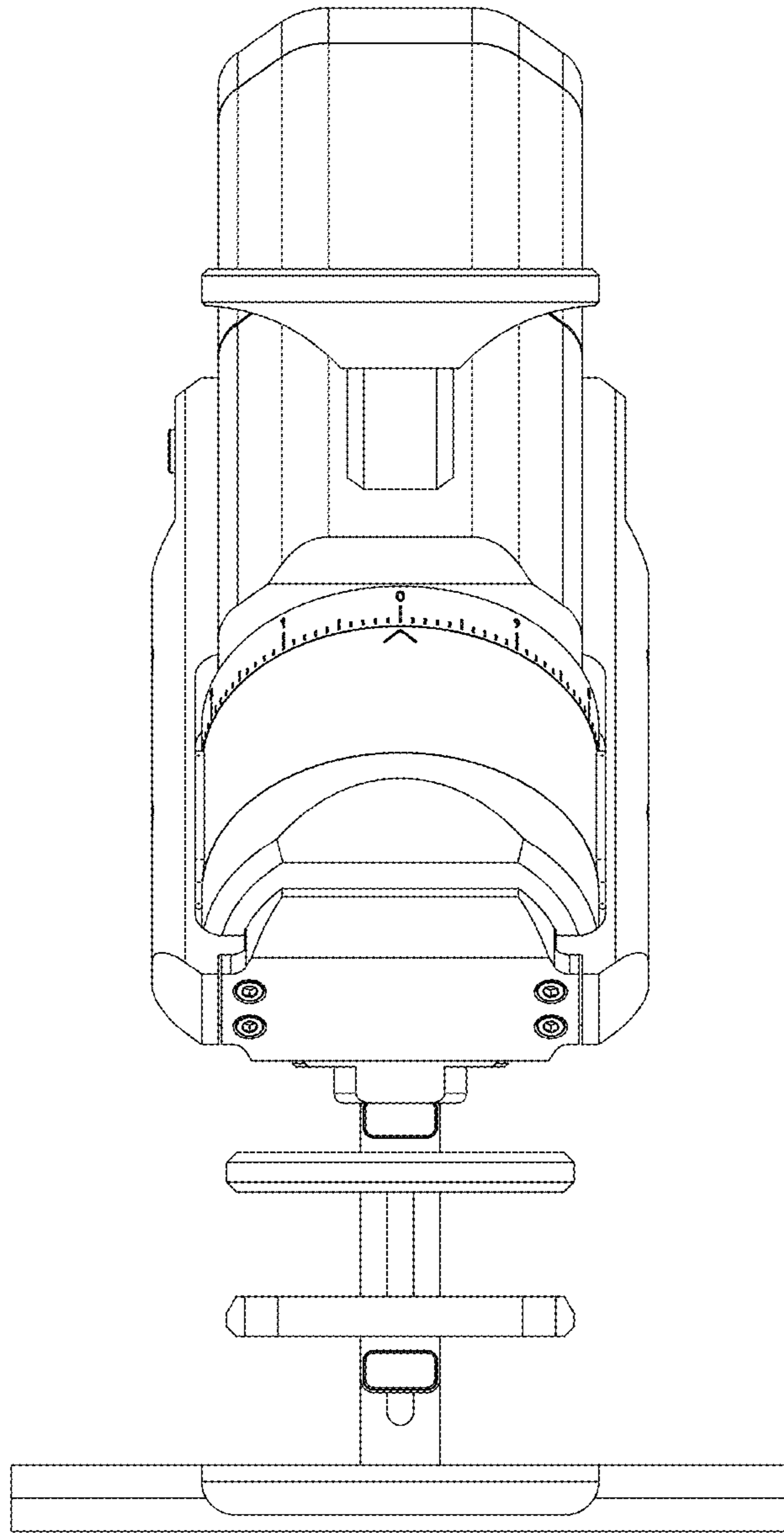


FIGURE 2

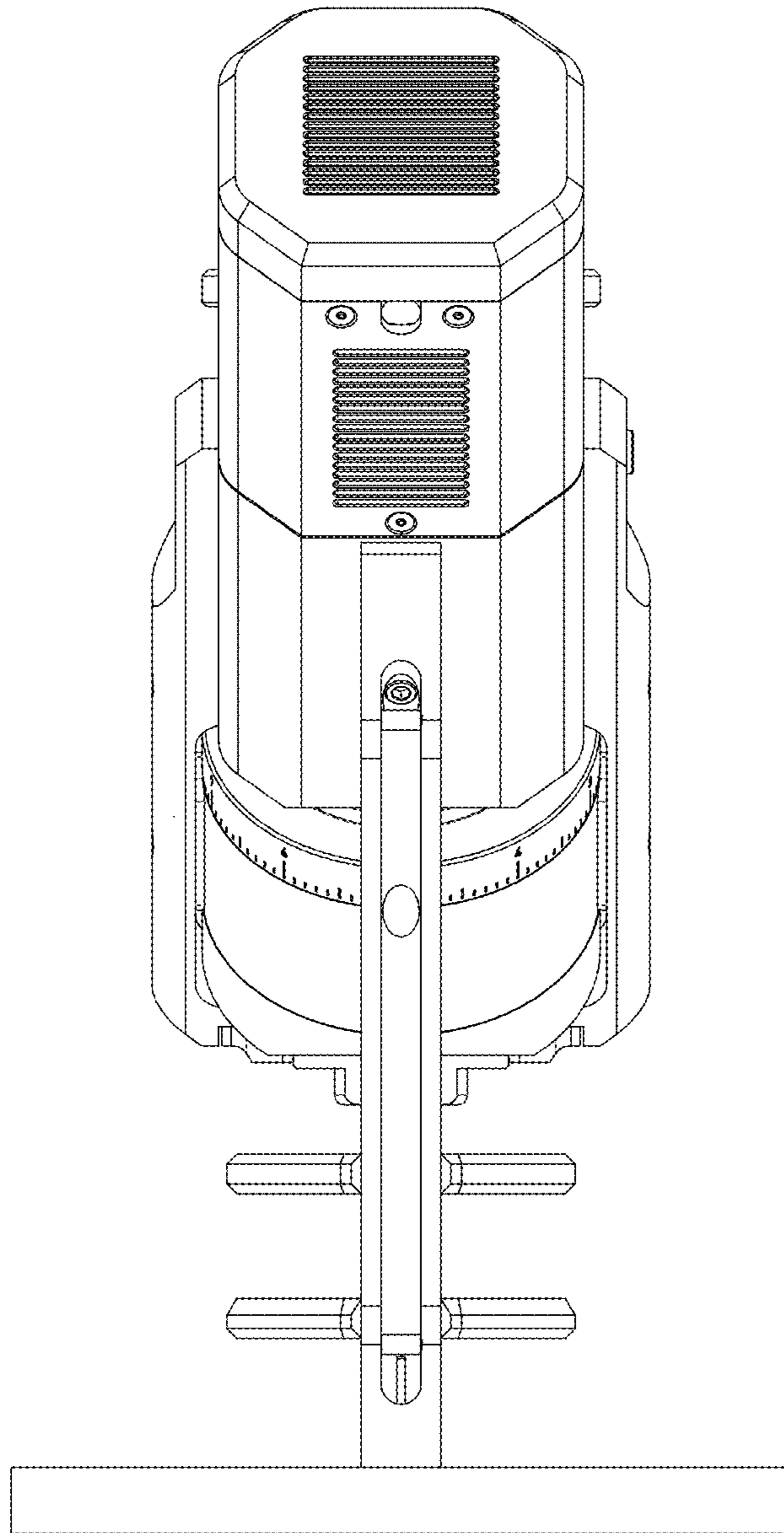


FIGURE 3

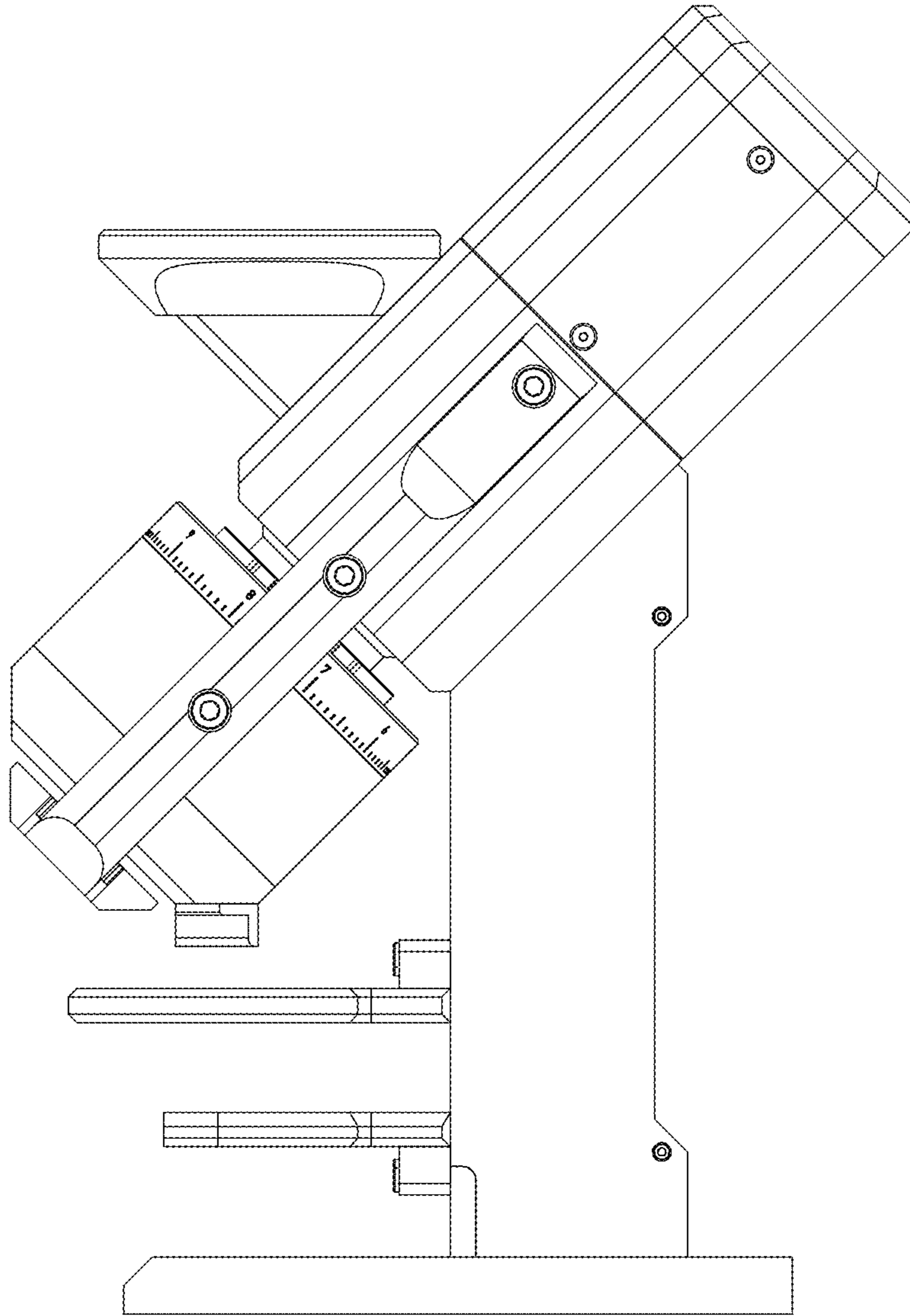


FIGURE 4

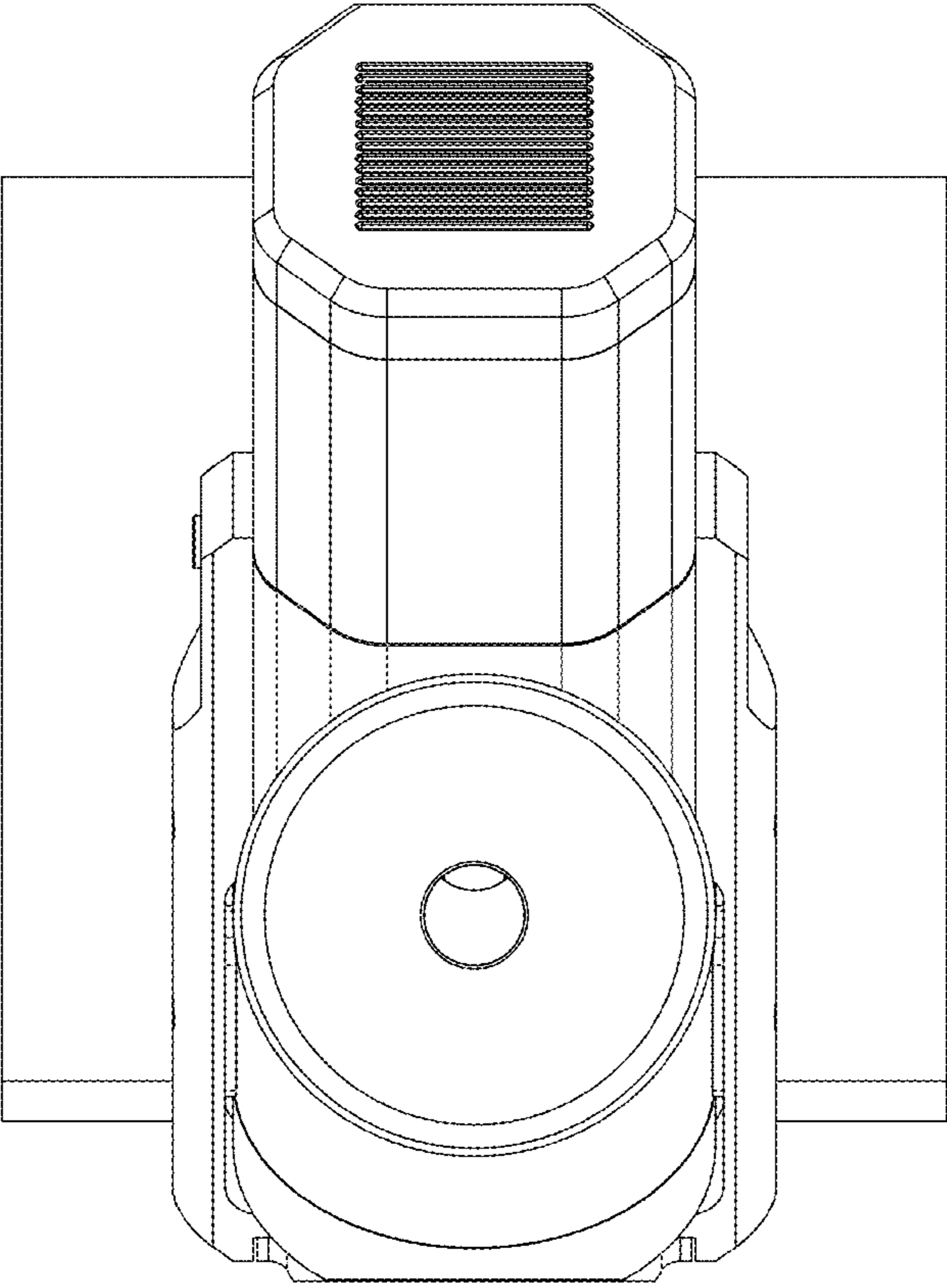


FIGURE 5

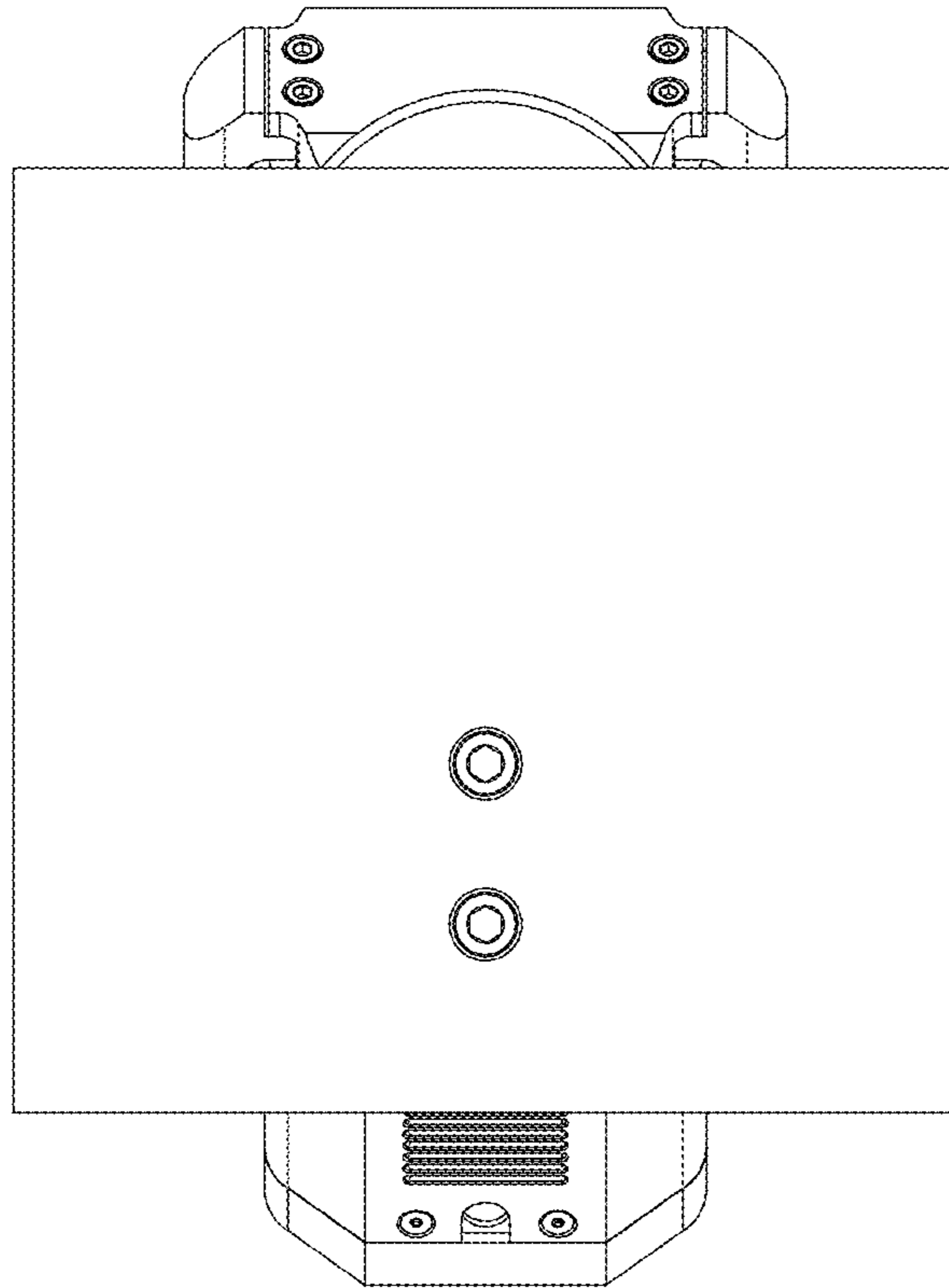


FIGURE 6