



US00D791530S

(12) **United States Design Patent**  
**de Ceglie et al.**

(10) **Patent No.:** **US D791,530 S**

(45) **Date of Patent:** **\*\* Jul. 11, 2017**

(54) **STEAM COOKING APPARATUS**

(71) Applicants: **Nathalie de Ceglie**, Rancho Palos Verdes, CA (US); **Marc Rocklinger**, Rancho Palos Verdes, CA (US)

(72) Inventors: **Nathalie de Ceglie**, Rancho Palos Verdes, CA (US); **Marc Rocklinger**, Rancho Palos Verdes, CA (US)

(\*\*) Term: **15 Years**

(21) Appl. No.: **29/550,335**

(22) Filed: **Dec. 31, 2015**

(51) **LOC (10) Cl.** ..... **07-02**

(52) **U.S. Cl.**  
USPC ..... **D7/361; D7/354**

(58) **Field of Classification Search**  
USPC ..... D7/323, 354-361, 391, 393; D24/217  
CPC ..... A47J 27/00; A47J 27/004; A47J 27/08;  
A47J 27/0802; A47J 27/0804; A47J  
27/0811; A47J 27/0813; A47J 27/0815;  
A47J 27/0817; A47J 27/084; A47J 27/09;  
A47J 27/092; A47J 36/025; A47J 36/06;  
A47J 37/12; A47J 37/1204; A47J  
37/1209; A47J 37/1271; A47J 45/07;  
A47J 45/071; A47J 45/074; A47J 45/08;  
B01D 2201/345; B01J 3/03; B01J 3/04;  
F01P 2011/0247; F01P 2011/0252; H05B  
6/00; H05B 6/02; H05B 6/06

See application file for complete search history.

(56) **References Cited**

**U.S. PATENT DOCUMENTS**

4,452,132 A 6/1984 Miller et al.  
4,906,485 A 3/1990 Kirchhoff  
D465,125 S \* 11/2002 Chedal Anglay ..... D7/354  
D489,223 S \* 5/2004 Jung ..... D7/354  
6,807,899 B2 \* 10/2004 Dirand ..... A47J 37/1271  
219/438  
7,274,003 B2 9/2007 Baumann

D560,814 S \* 1/2008 Briussel ..... D24/217  
7,549,369 B2 6/2009 Zimmerman  
8,191,465 B2 6/2012 Sager et al.  
D669,595 S \* 10/2012 Schofield ..... D24/217

(Continued)

**FOREIGN PATENT DOCUMENTS**

JP 2003070644 A 3/2003  
JP 2005067716 A 3/2005

**OTHER PUBLICATIONS**

International Written Opinion for related PCT/US2016/015808 filed at USRO on Jan. 29, 2016.

*Primary Examiner* — Ricky Pham

(74) *Attorney, Agent, or Firm* — Fulwider Patton LLP

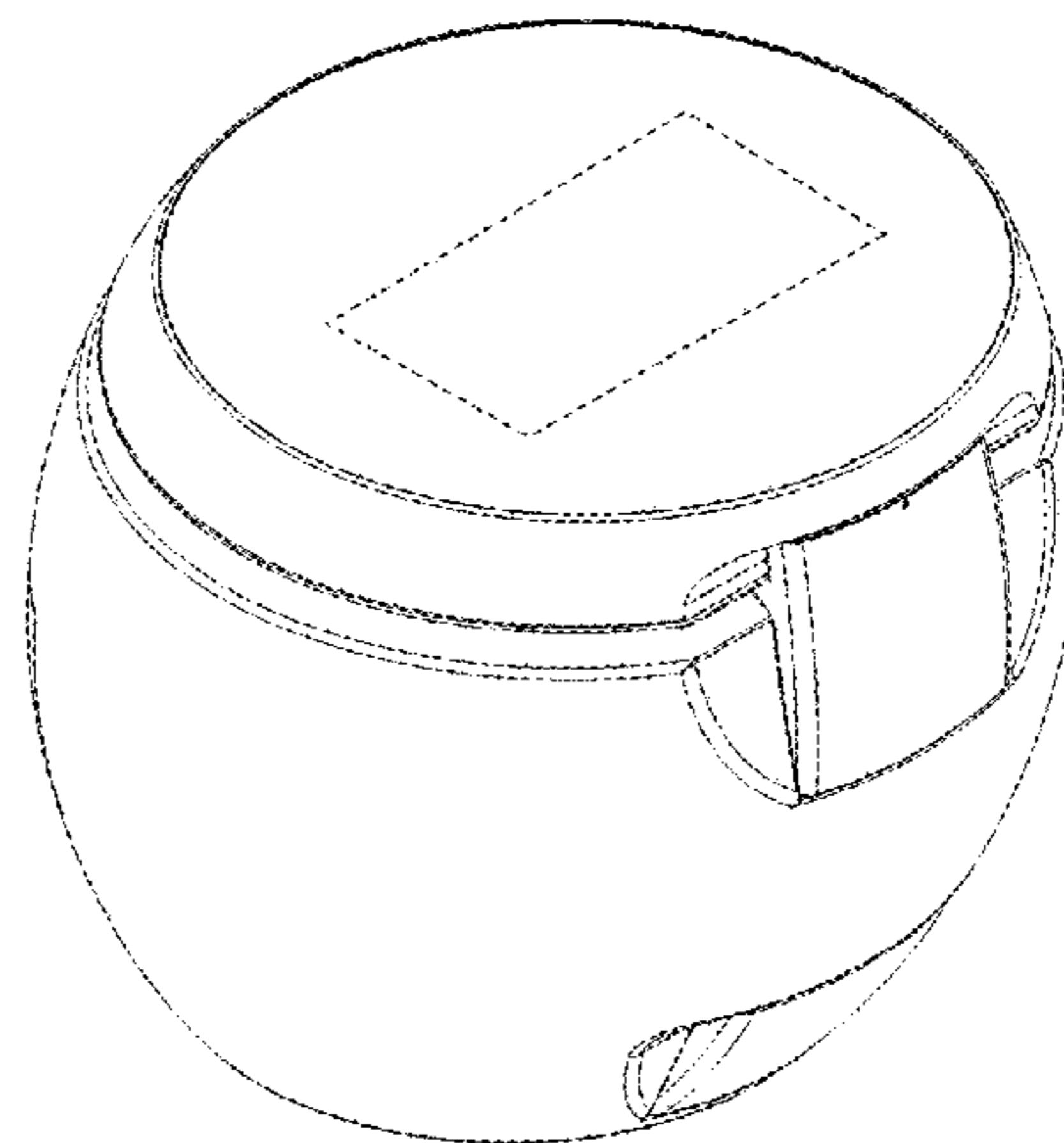
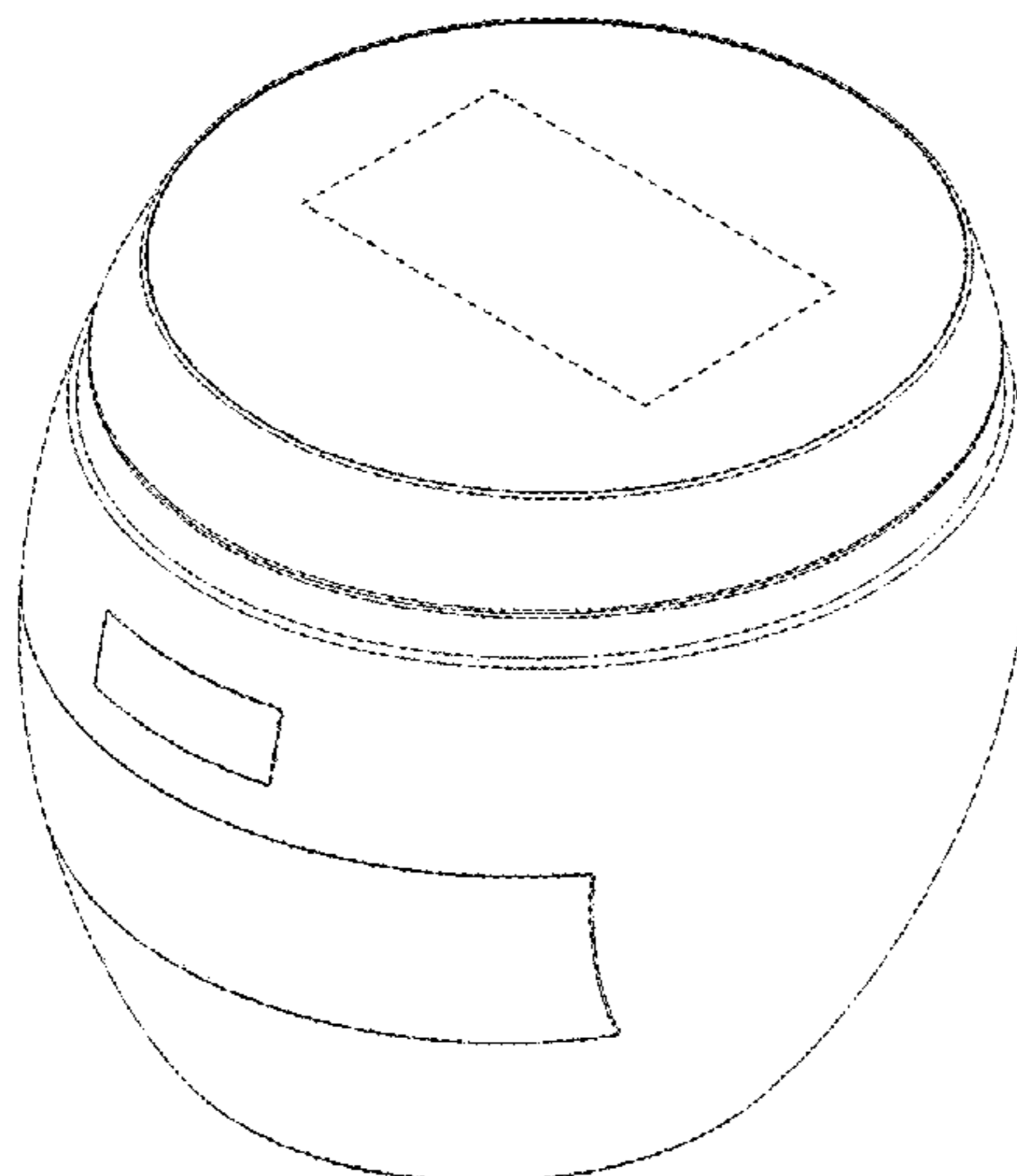
(57) **CLAIM**

The ornamental design for an steam cooking apparatus, as shown and described.

**DESCRIPTION**

FIG. 1 is a right front perspective view of the steam cooking apparatus;  
FIG. 2 is a left front perspective view of the steam cooking apparatus;  
FIG. 3 is a left rear perspective view of the steam cooking apparatus;  
FIG. 4 is a right rear perspective view of the steam cooking apparatus;  
FIG. 5 is a front view of the steam cooking apparatus;  
FIG. 6 is a right side view of the steam cooking apparatus;  
FIG. 7 is a rear view of the steam cooking apparatus;  
FIG. 8 is a left side view of the steam cooking apparatus;  
FIG. 9 is a top view of the steam cooking apparatus; and,  
FIG. 10 is a bottom view of the steam cooking apparatus.  
Broken lines appearing in the drawings are intended to be for illustrative purposes only and form no part of the claimed design.

**1 Claim, 10 Drawing Sheets**



(56)

**References Cited**

U.S. PATENT DOCUMENTS

D704,500	S	*	5/2014	Kim	.....	D7/354
D715,088	S	*	10/2014	Kim	.....	D7/354
D768,427	S	*	10/2016	Berge	.....	D7/354
2010/0151092	A1		6/2010	Sus et al.		
2011/0168690	A1		7/2011	Tomomura et al.		
2011/0256287	A1		10/2011	Sus et al.		
2013/0019856	A1		1/2013	Buehler		
2013/0264333	A1		10/2013	Alipour et al.		

\* cited by examiner

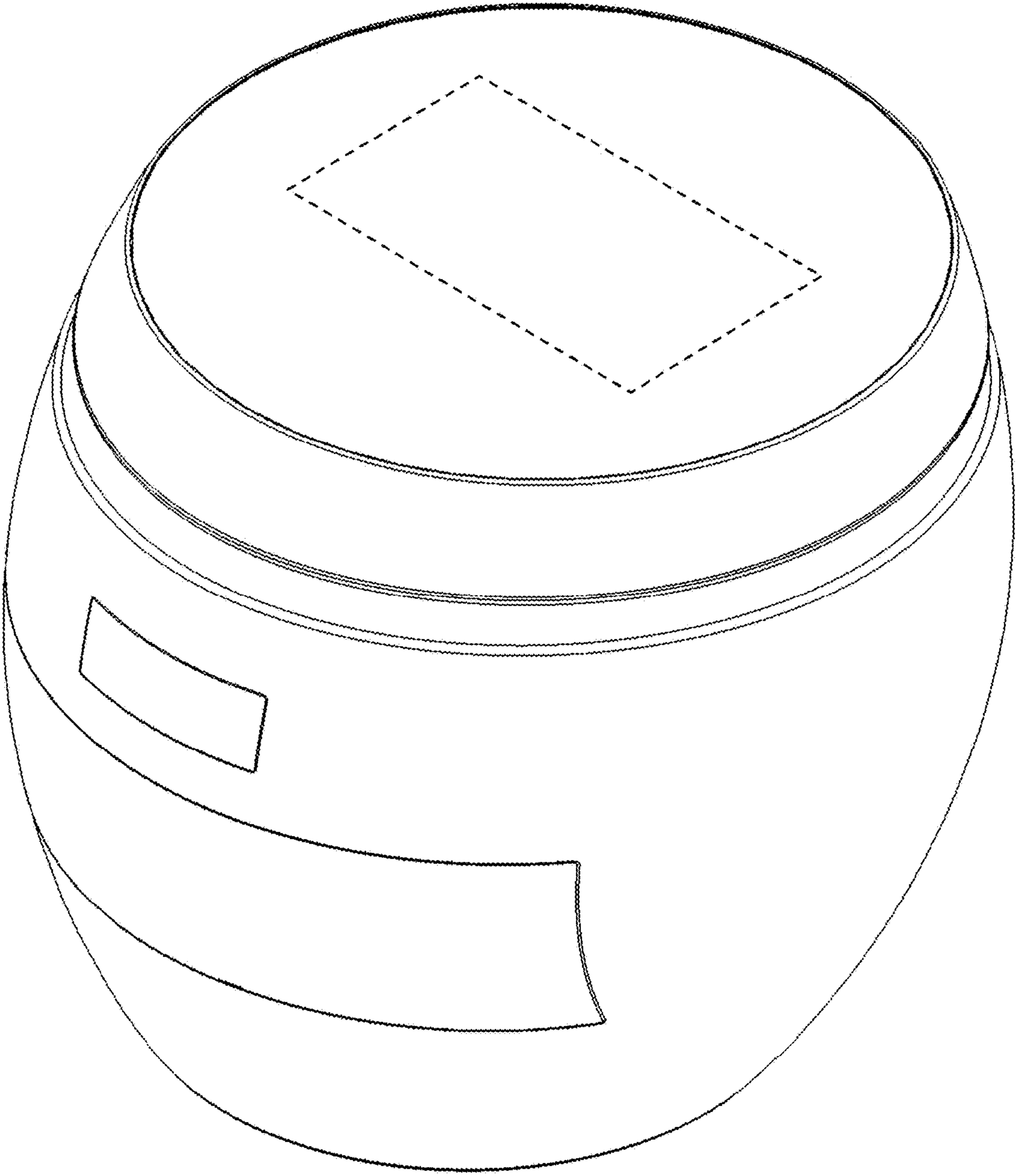


FIG. 1

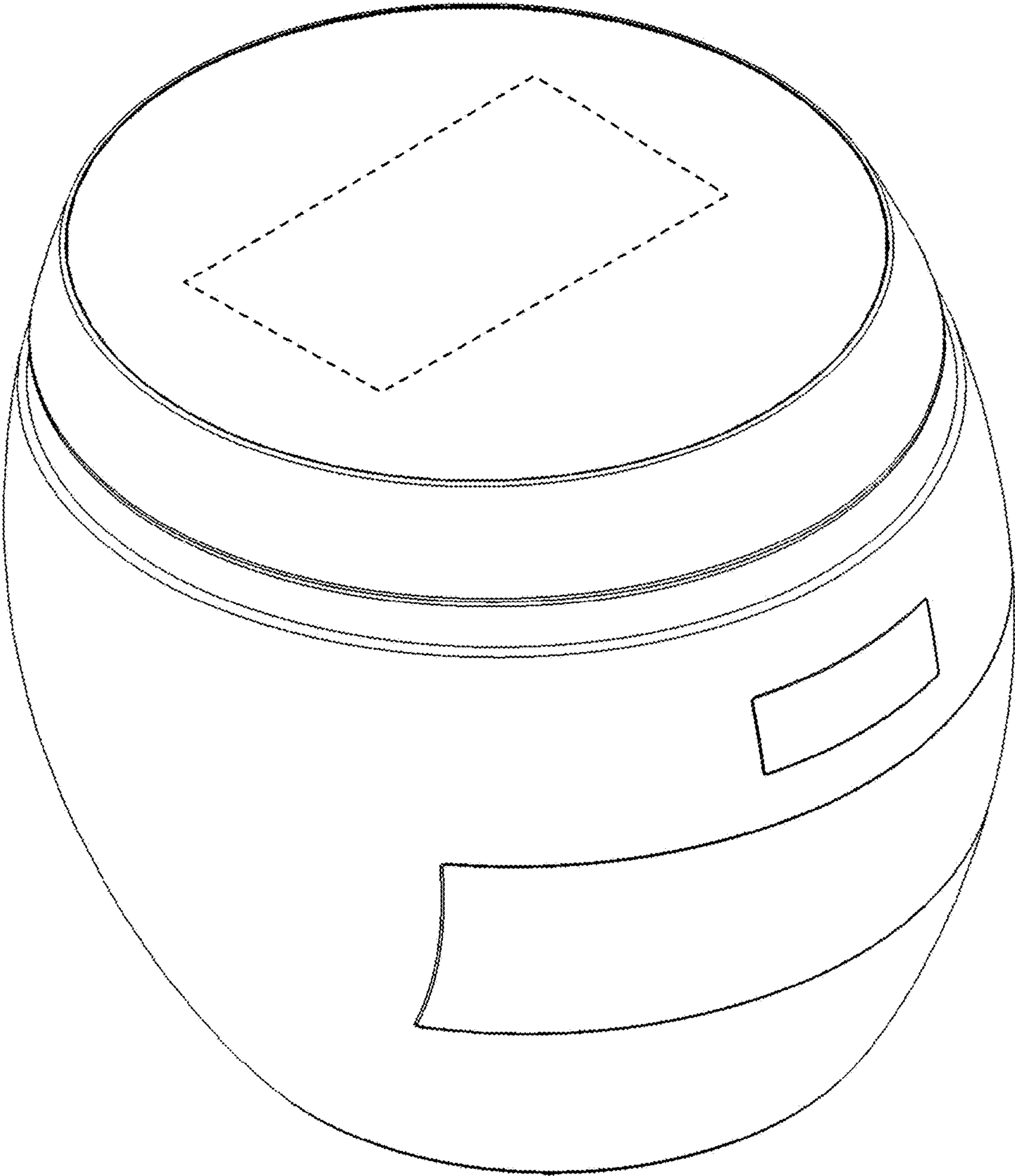


FIG. 2



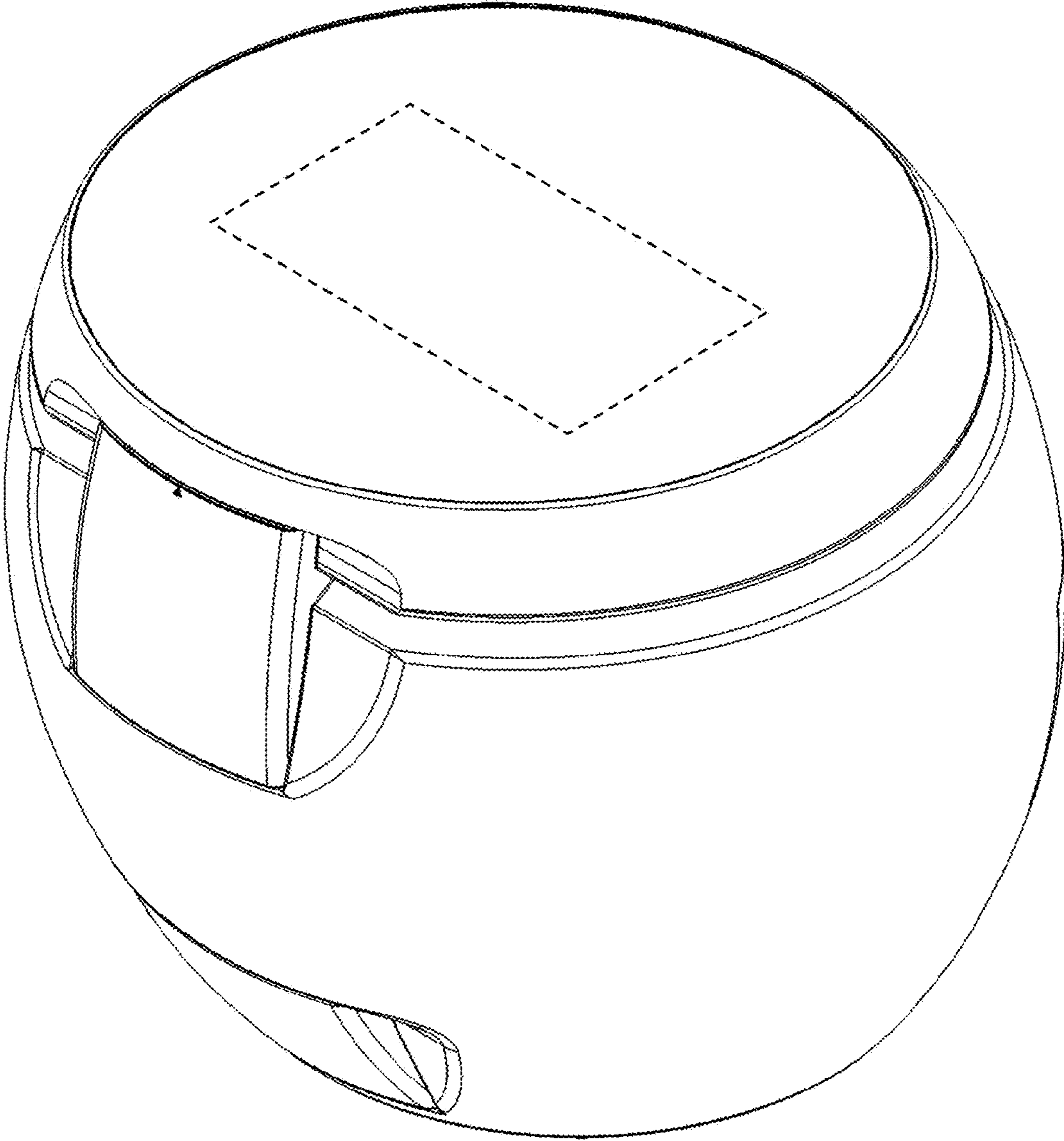


FIG. 3

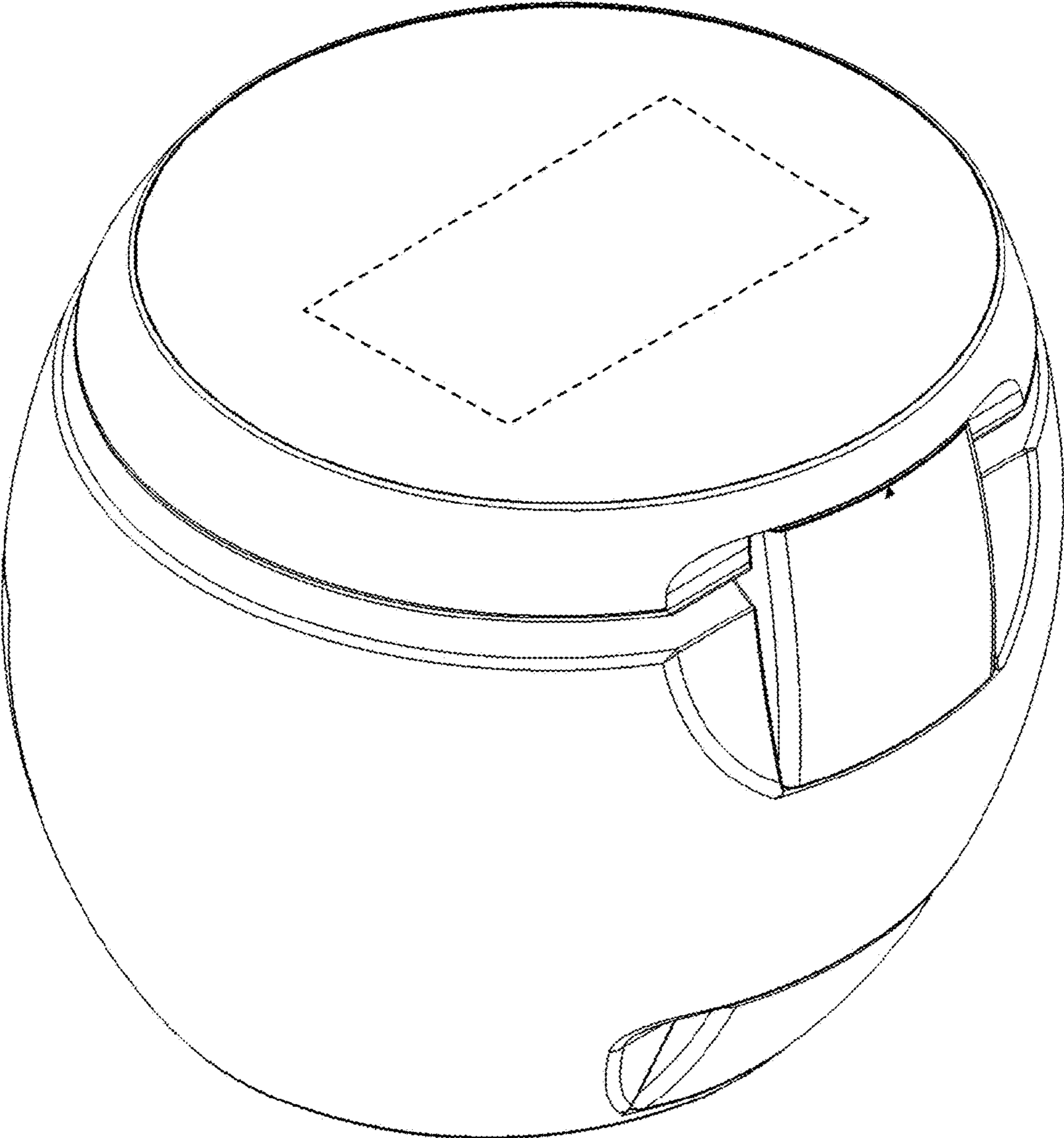


FIG. 4

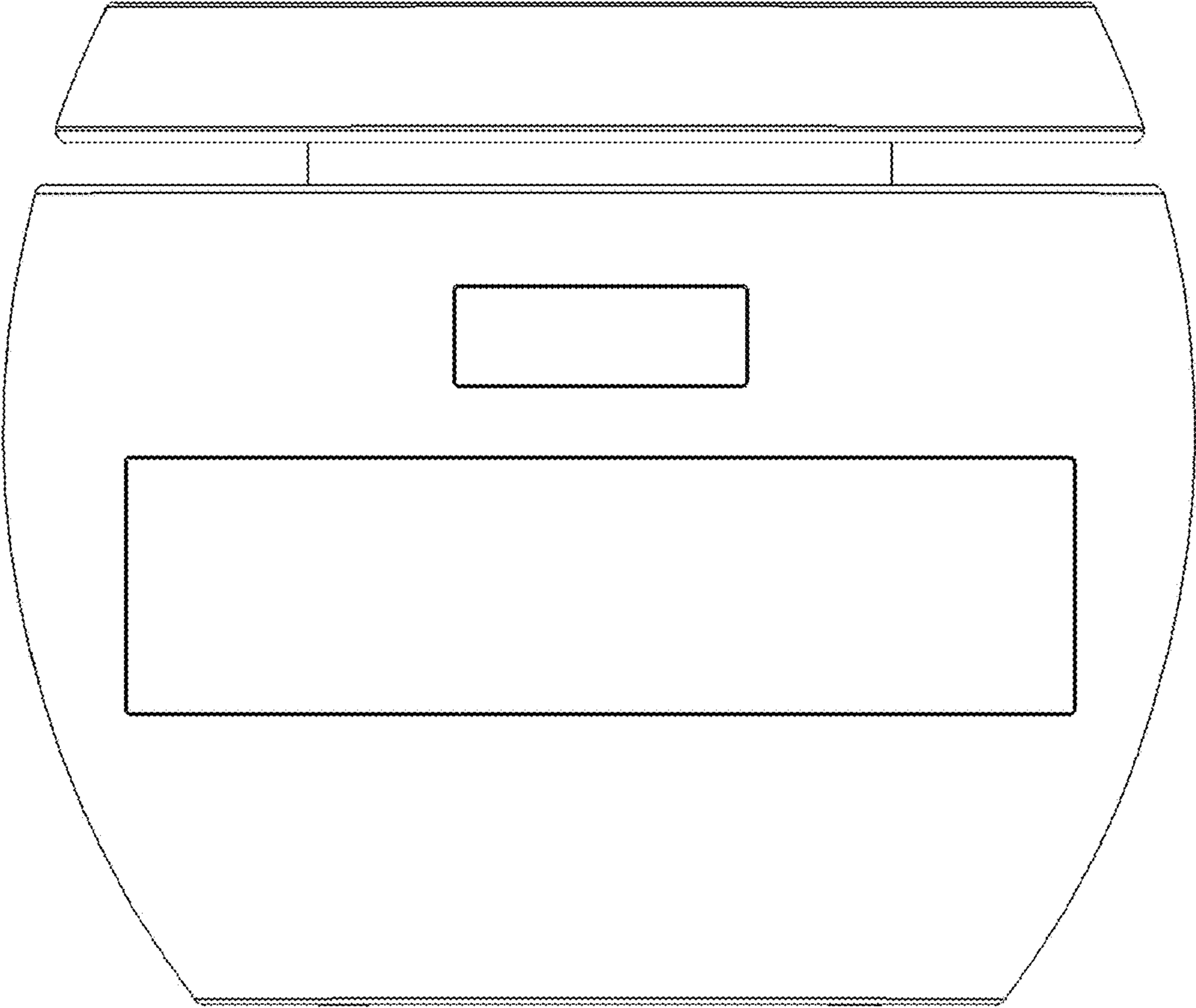


FIG. 5

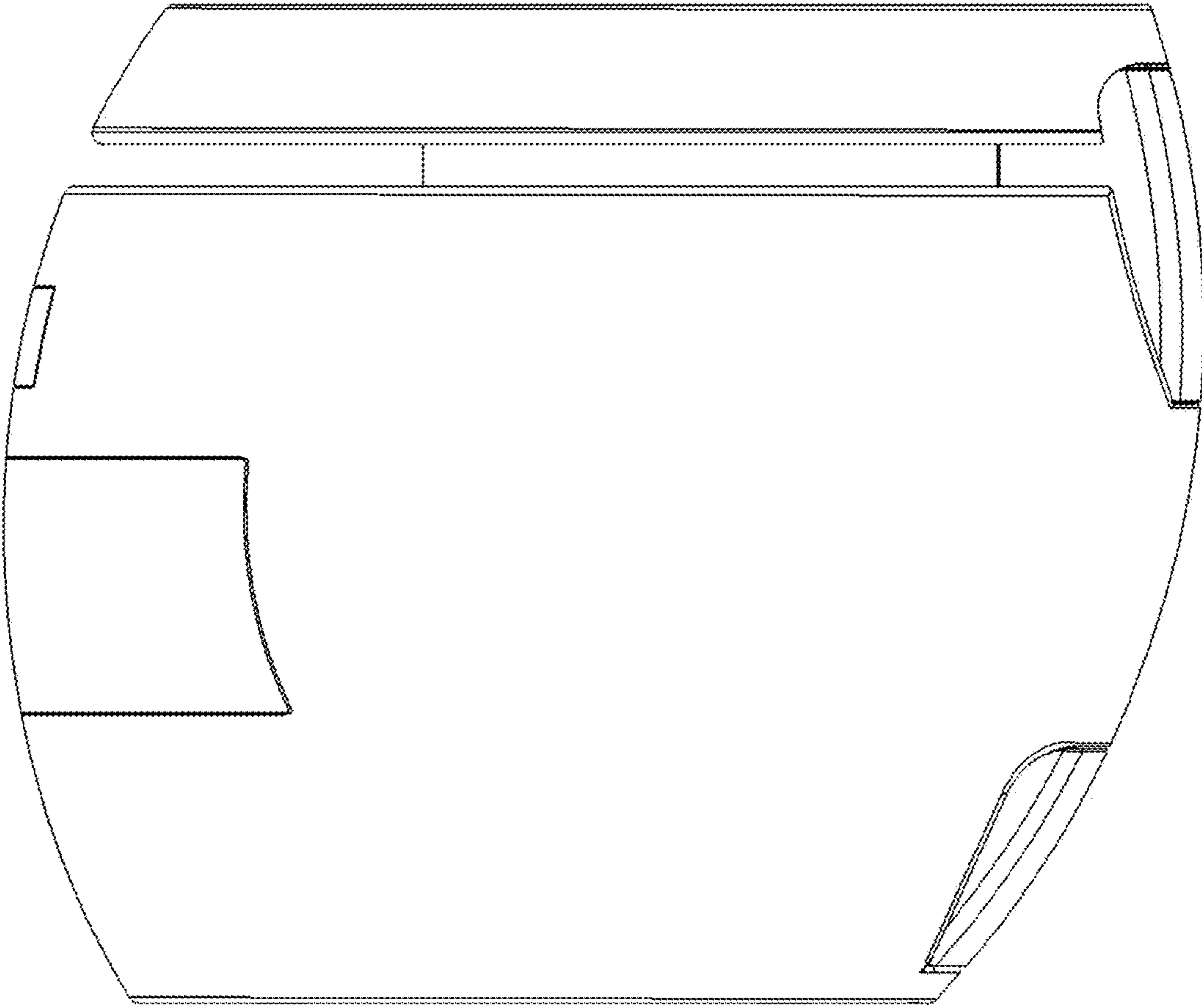


FIG. 6



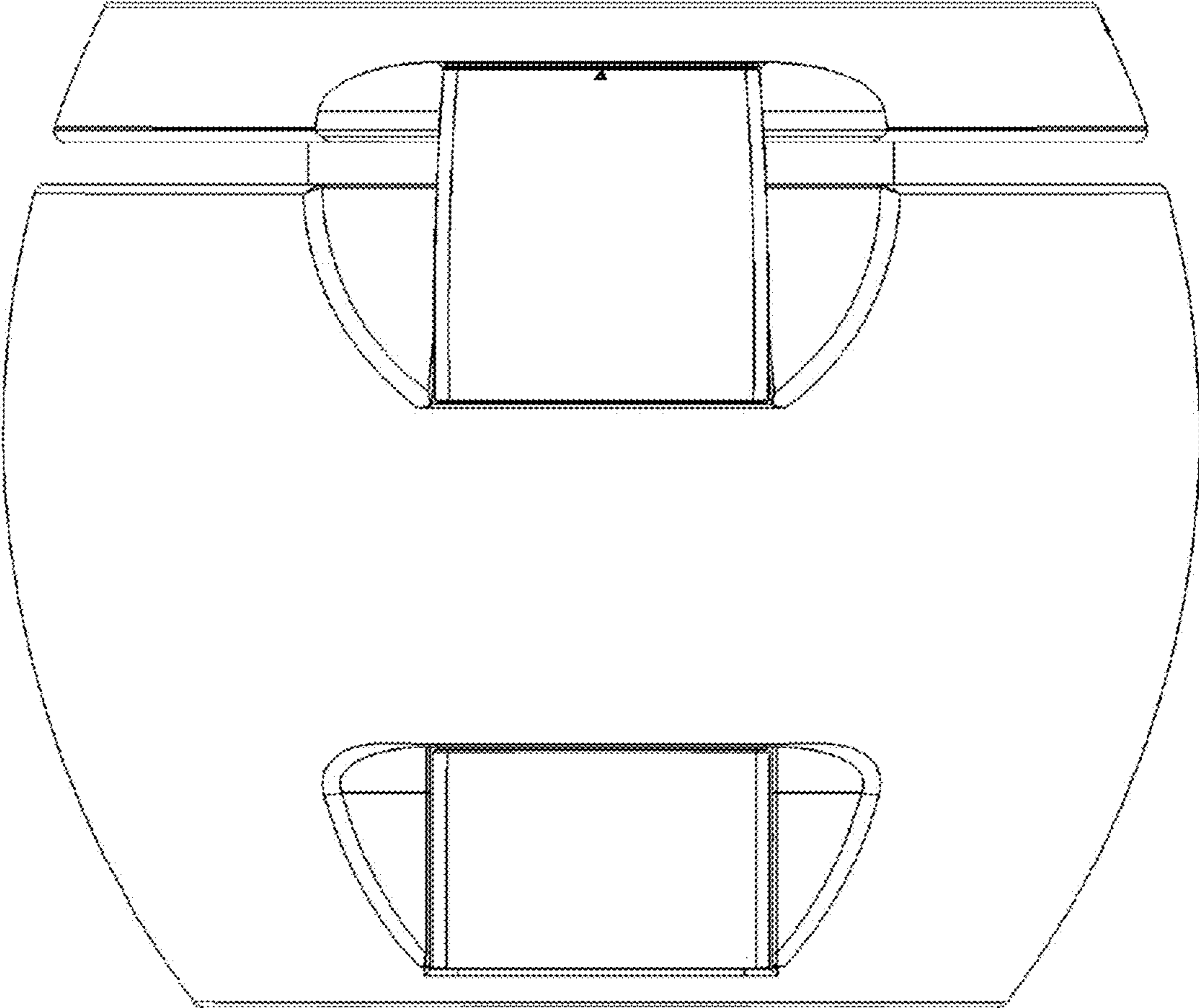


FIG. 7

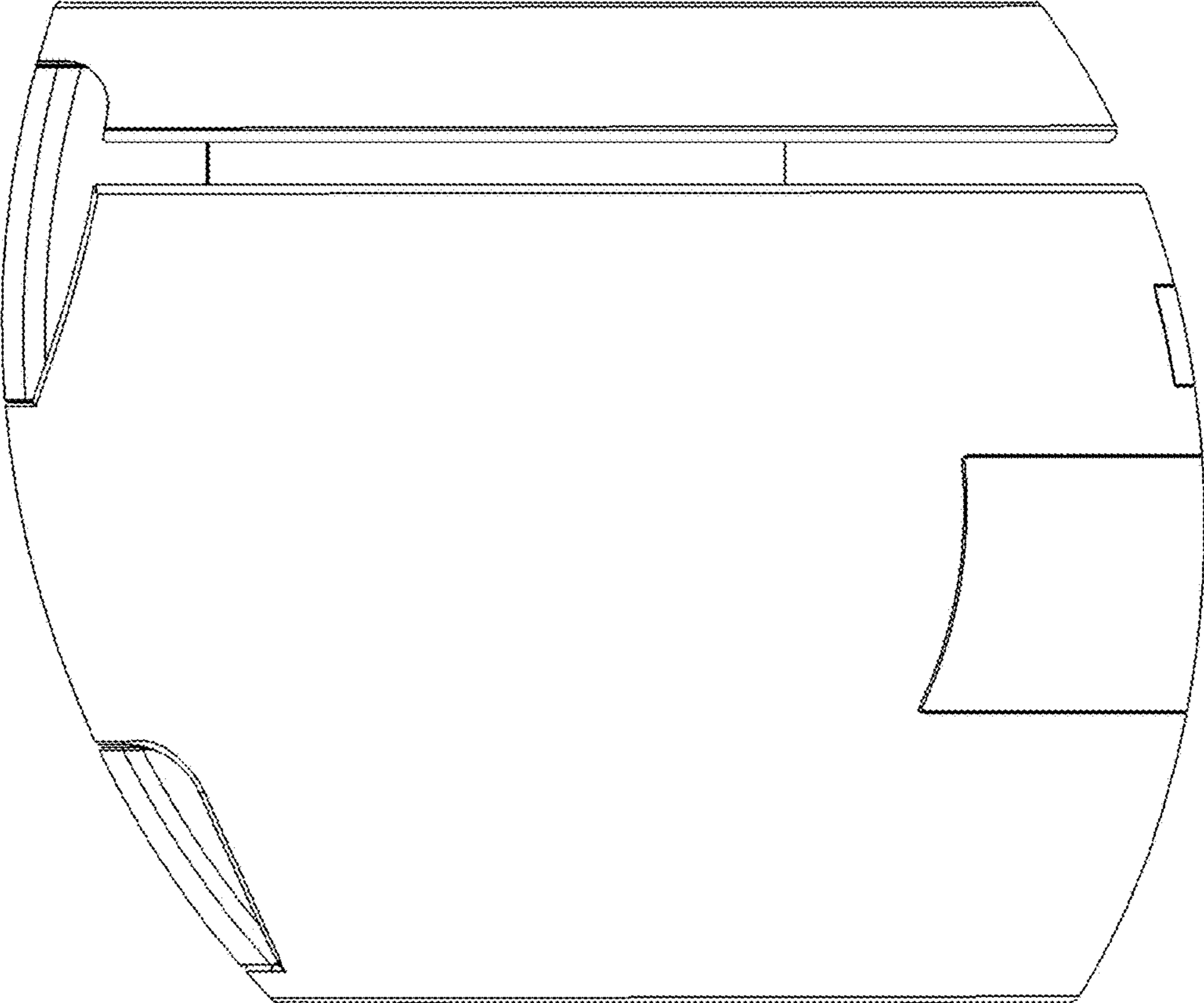


FIG. 8

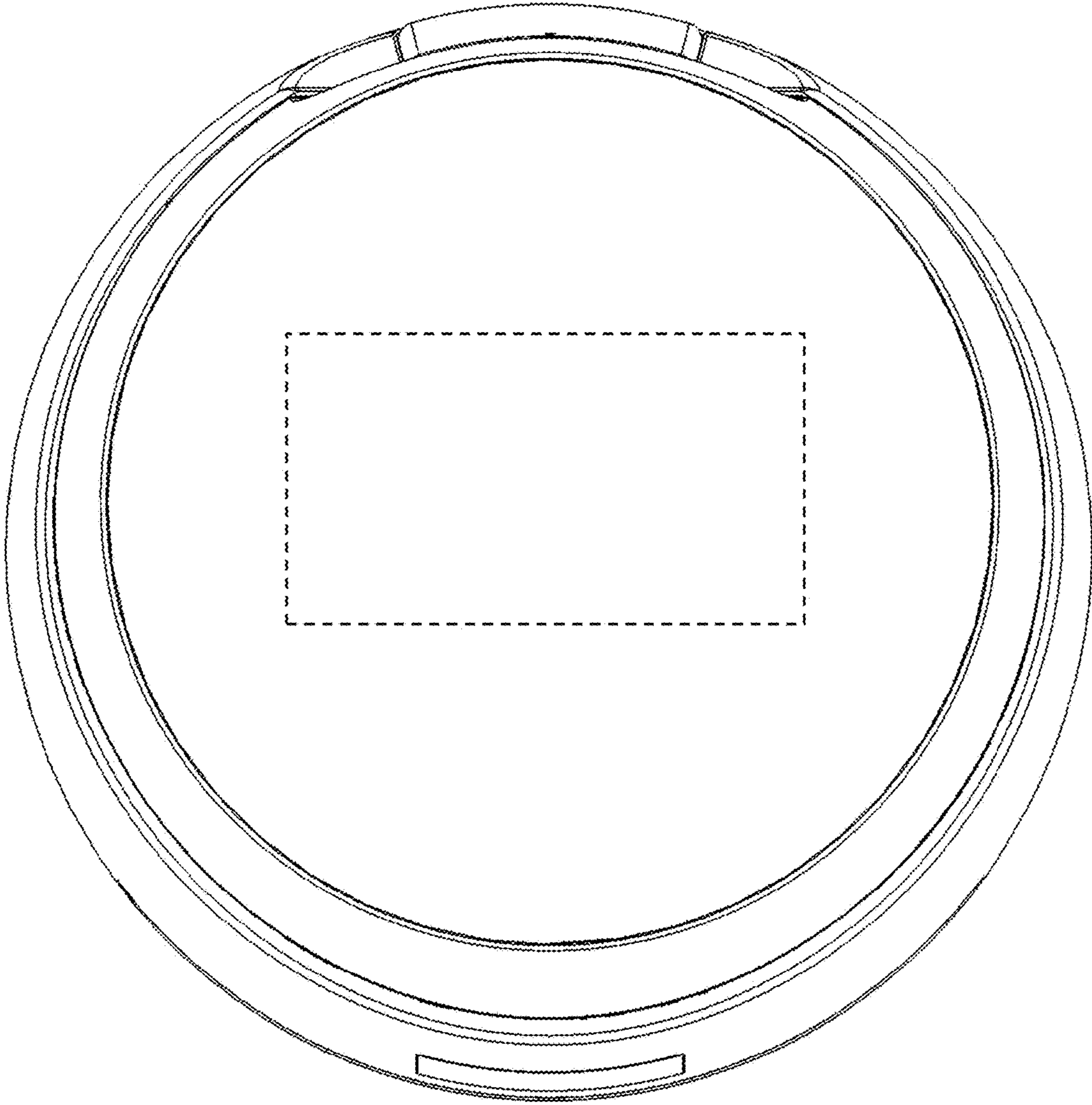


FIG. 9

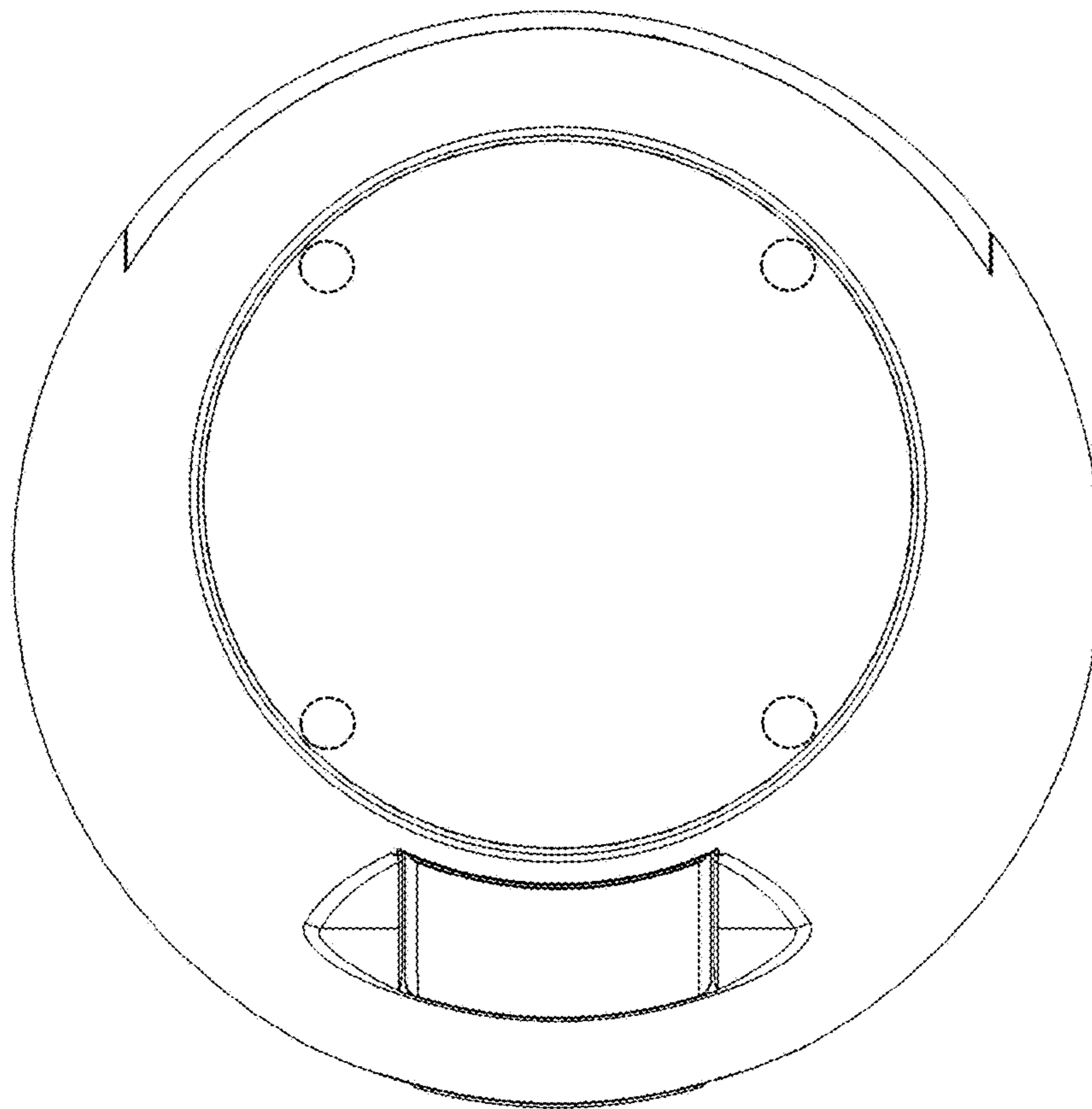


FIG. 10