

US00D791527S

(12) **United States Design Patent**  
**Jaggard**

(10) **Patent No.:** **US D791,527 S**  
(45) **Date of Patent:** **\*\* Jul. 11, 2017**

- (54) **CONICAL GRILL WITH FOUR LEGS**
- (71) Applicant: **TCG PARTNERS, LLC**, Houston, TX (US)
- (72) Inventor: **Hunter Ryan Jaggard**, Katy, TX (US)
- (73) Assignee: **TCG Partners, LLC**, Houston, TX (US)
- (\*\*) Term: **15 Years**
- (21) Appl. No.: **29/548,940**
- (22) Filed: **Dec. 17, 2015**
- (51) **LOC (10) Cl.** ..... **07-02**
- (52) **U.S. Cl.**  
USPC ..... **D7/334**
- (58) **Field of Classification Search**  
USPC ..... D7/331, 332, 333, 334, 335, 336, 337, D7/402, 404, 405, 406, 407, 213, 323, D7/324, 325, 326, 327, 328, 329, 330  
CPC ..... A47J 37/0781; A47J 2037/0777; A47J 37/0745-37/0772; A47J 37/0731-37/074; A47J 37/0718-37/0727; A47J 37/07-37/0713; A47J 37/04; A47J 37/041; A47J 33/00  
See application file for complete search history.

5,944,009	A *	8/1999	Scheller	.....	A47J 33/00
					126/25 R
D417,362	S *	12/1999	Ting	.....	D7/332
D426,419	S *	6/2000	Kuo	.....	D7/334
6,868,849	B1 *	3/2005	Endres	.....	A47J 37/0763
					126/25 A
D596,892	S *	7/2009	Vanderminden	.....	D6/686
D671,362	S *	11/2012	Simms, II	.....	D7/406
D717,093	S *	11/2014	Chang	.....	D7/334
D718,082	S *	11/2014	Chung	.....	D7/335
D718,570	S *	12/2014	Chiang	.....	D7/337
D723,320	S *	3/2015	Rooney	.....	D7/325
D730,104	S *	5/2015	Stredney	.....	D7/337
D755,557	S *	5/2016	Stout	.....	D7/332
D758,122	S *	6/2016	Simpson	.....	B65D 43/0212
					D7/325
D762,409	S *	8/2016	Fisher	.....	D7/337
D766,419	S *	9/2016	Merritt	.....	D23/374
D770,833	S *	11/2016	Lira-Nunez	.....	D7/332
D773,229	S *	12/2016	Jaggard	.....	D7/334

(Continued)

*Primary Examiner* — Manpreet Matharu  
*Assistant Examiner* — Suzanne Tisdell  
 (74) *Attorney, Agent, or Firm* — Dossey & Jones, PLLC;  
 James P. Dossey; Phillip W Black

(57) **CLAIM**

The ornamental design for a conical grill with four legs, as shown and described.

(56) **References Cited**

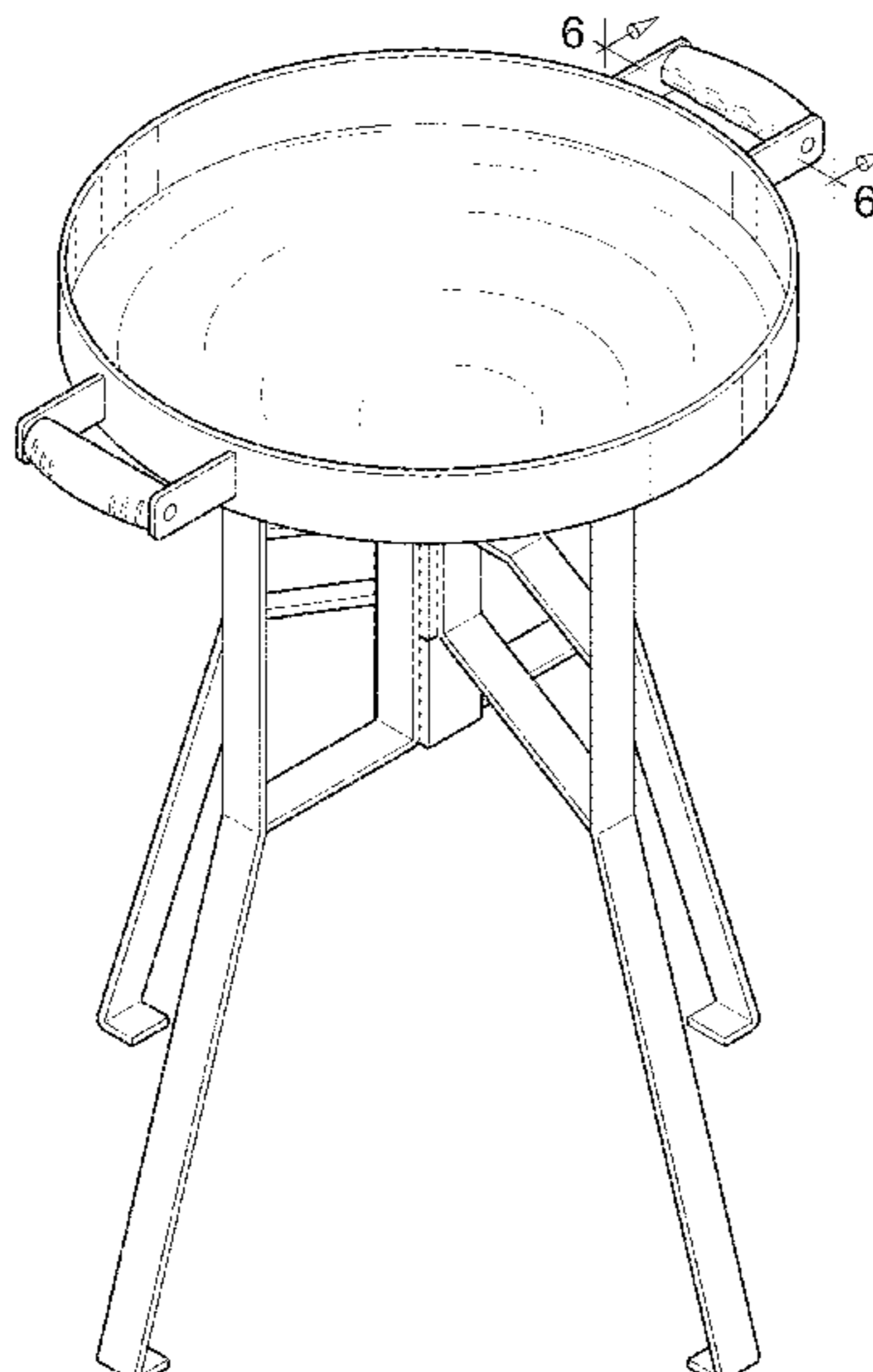
U.S. PATENT DOCUMENTS

2,194,852	A *	3/1940	Gundelfinger et al.	A23L 7/187
				99/323.8
D180,880	S *	8/1957	Moore	..... D7/325
D238,039	S *	12/1975	Juhlin	..... 220/23.83
5,025,715	A *	6/1991	Sir	..... A47J 33/00
				126/30
5,165,328	A *	11/1992	Erickson	..... A47J 37/015
				126/21 A
5,235,906	A *	8/1993	Hsu	..... F26B 9/003
				126/21 A

**DESCRIPTION**

FIG. 1 is a frontal isometric view of the apparatus disclosed herein;  
 FIG. 2 is a plain front view of the apparatus of FIG. 1;  
 FIG. 3 is a plain back view of the apparatus of FIG. 1;  
 FIG. 4 is a plain top view of the apparatus of FIG. 1;  
 FIG. 5 is a plain bottom view of the apparatus of FIG. 1; and,  
 FIG. 6 is a frontal isometric view of a handle attached to grill portion of the apparatus of FIG. 1.

**1 Claim, 5 Drawing Sheets**



(56)

**References Cited**

U.S. PATENT DOCUMENTS

2010/0024661 A1\* 2/2010 Wu ..... A47J 37/041  
99/339  
2010/0116262 A1\* 5/2010 Voges ..... A47J 37/04  
126/25 R  
2010/0252020 A1\* 10/2010 Siow ..... A47J 37/0713  
126/25 R  
2015/0196163 A1\* 7/2015 Robles ..... A47J 33/00  
126/25 R  
2015/0285507 A1\* 10/2015 Troyer ..... F24B 1/182  
126/30

\* cited by examiner

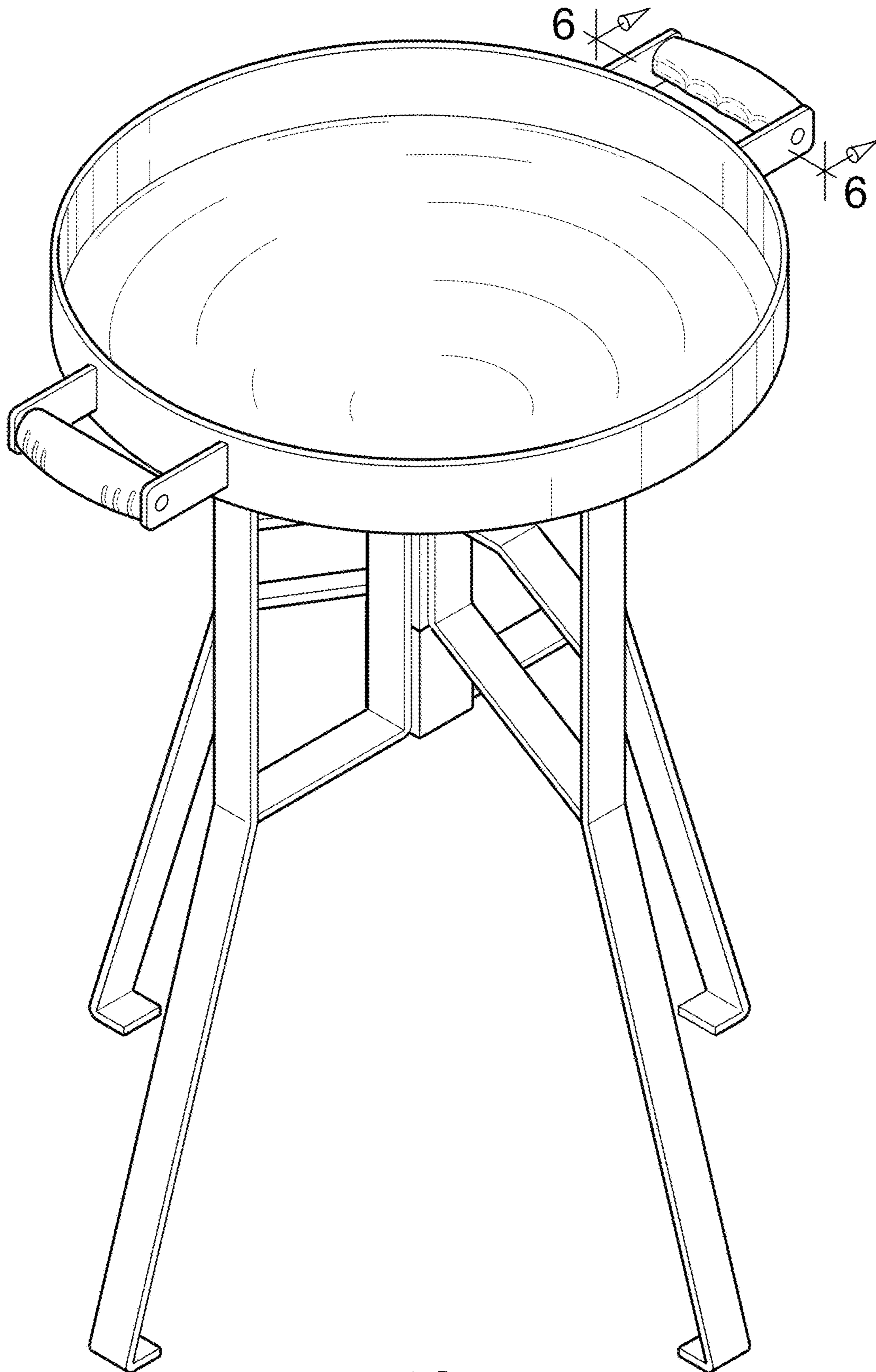


FIG. 1

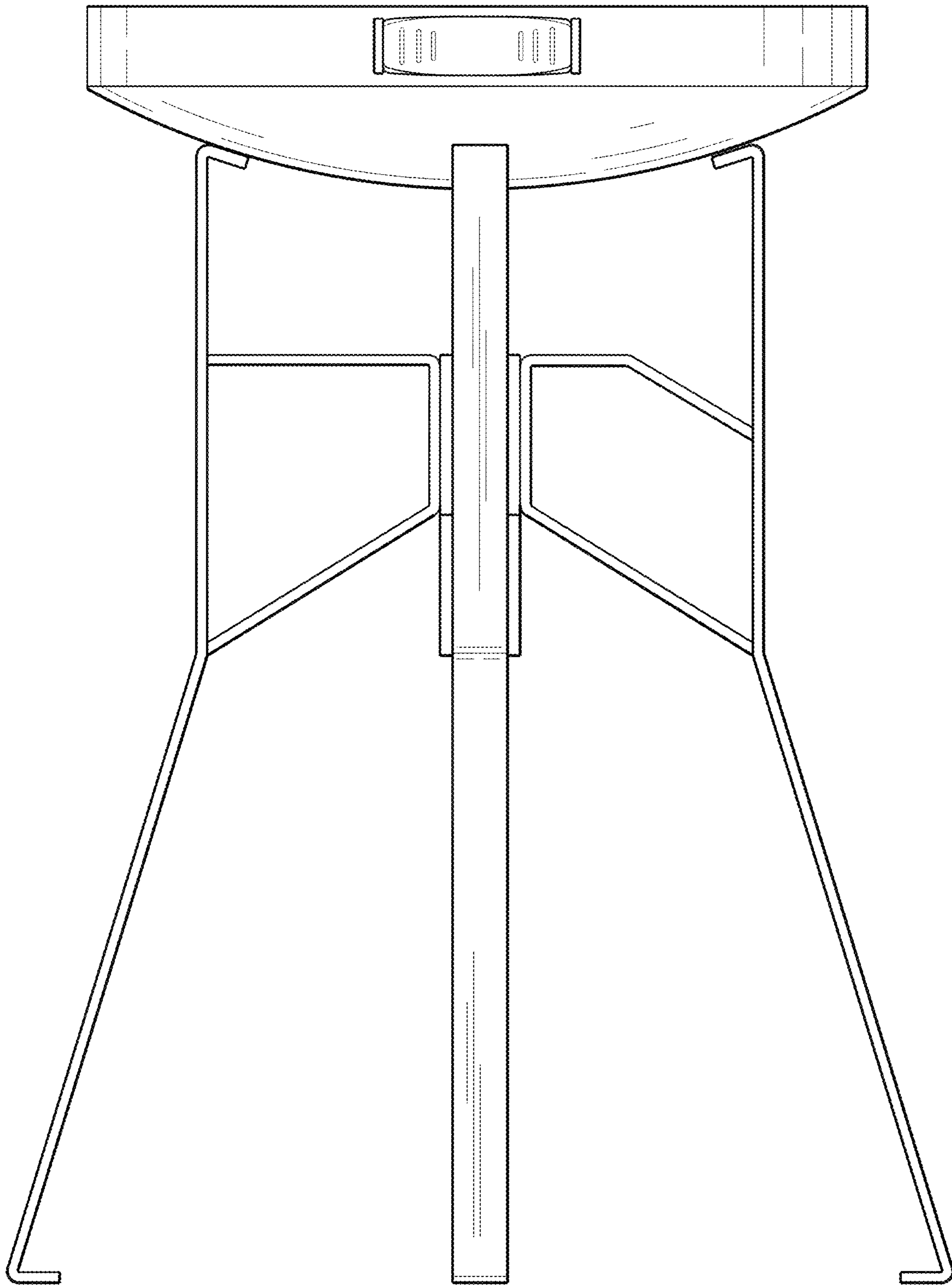


FIG. 2



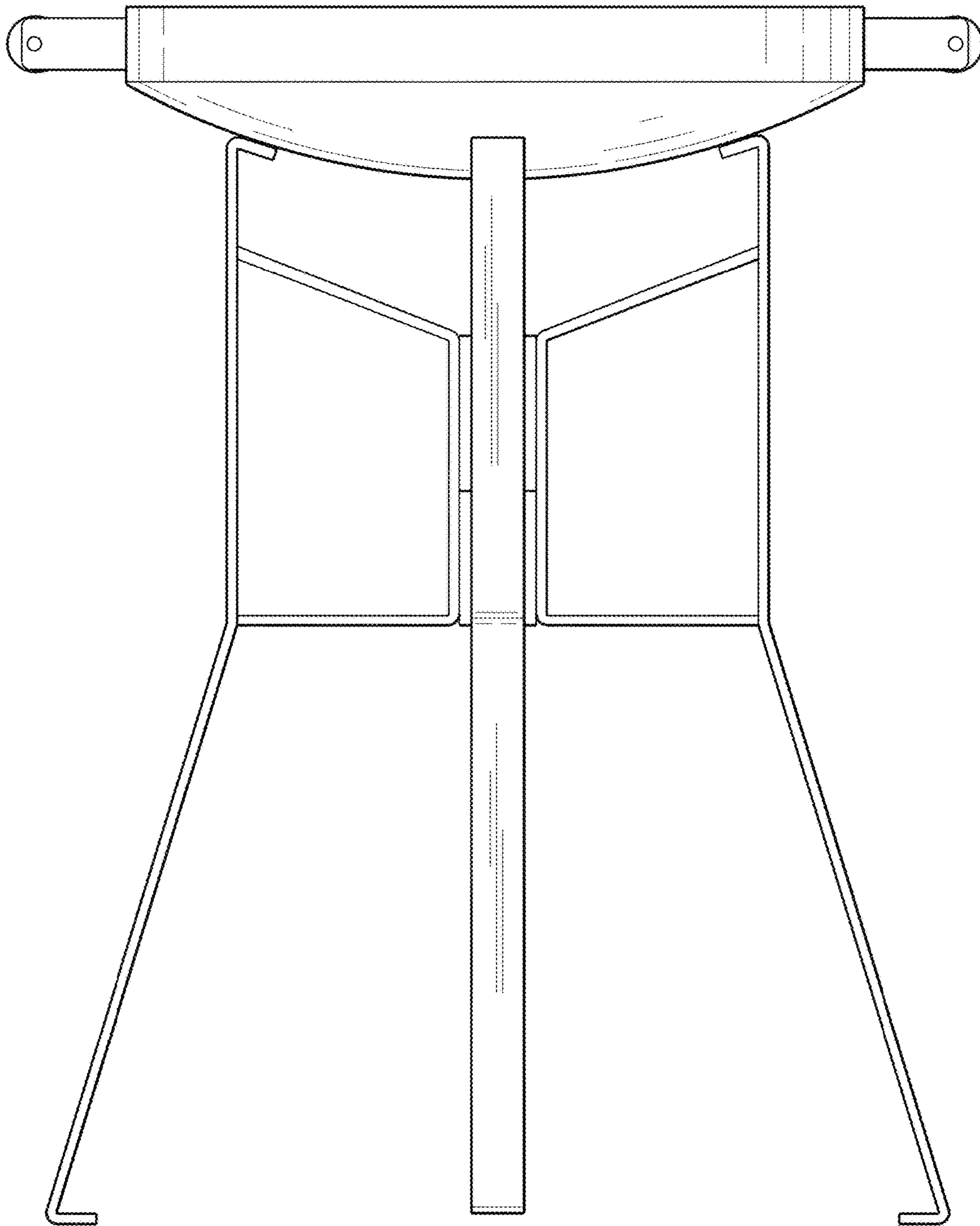


FIG. 3

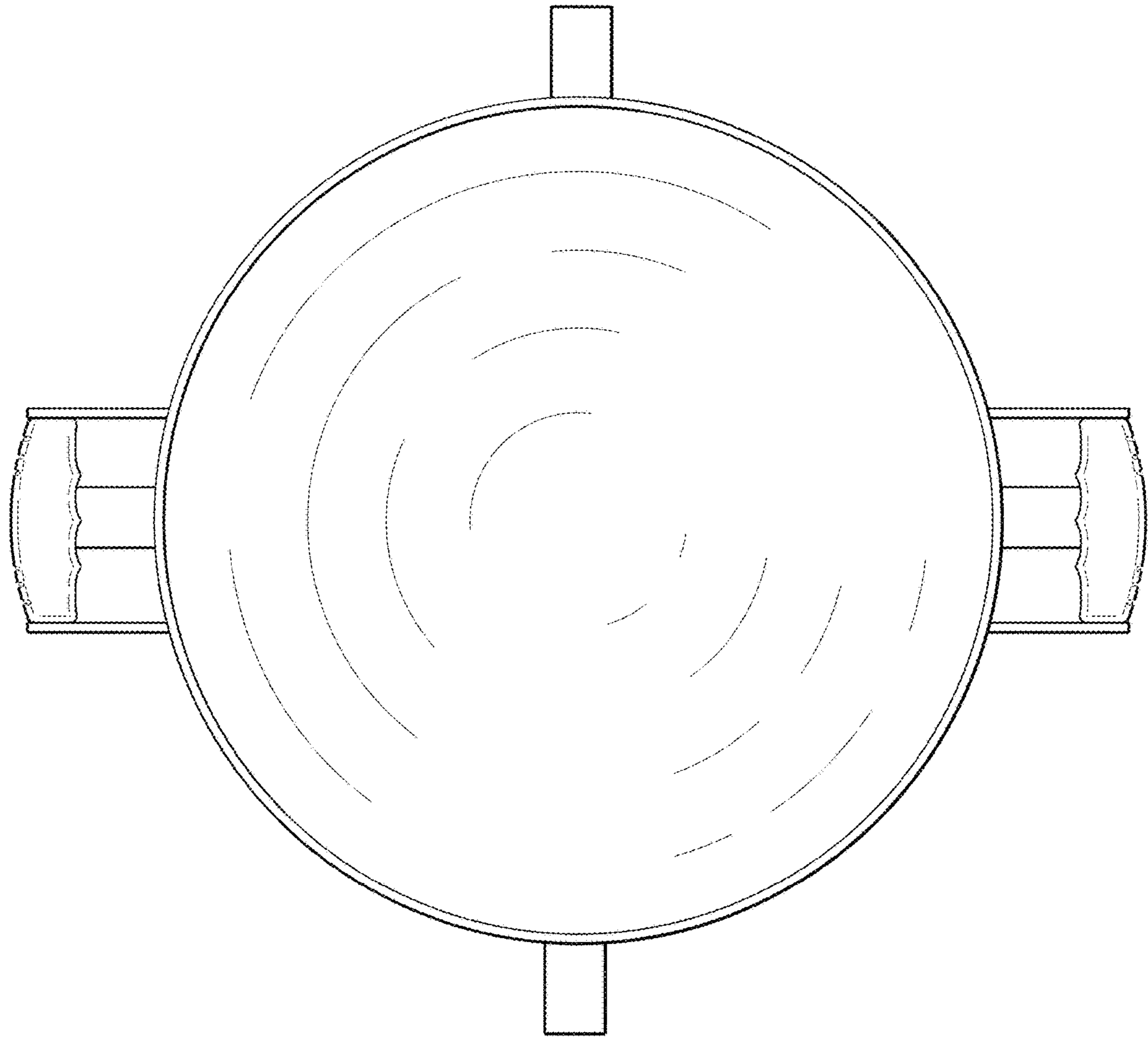


FIG. 4

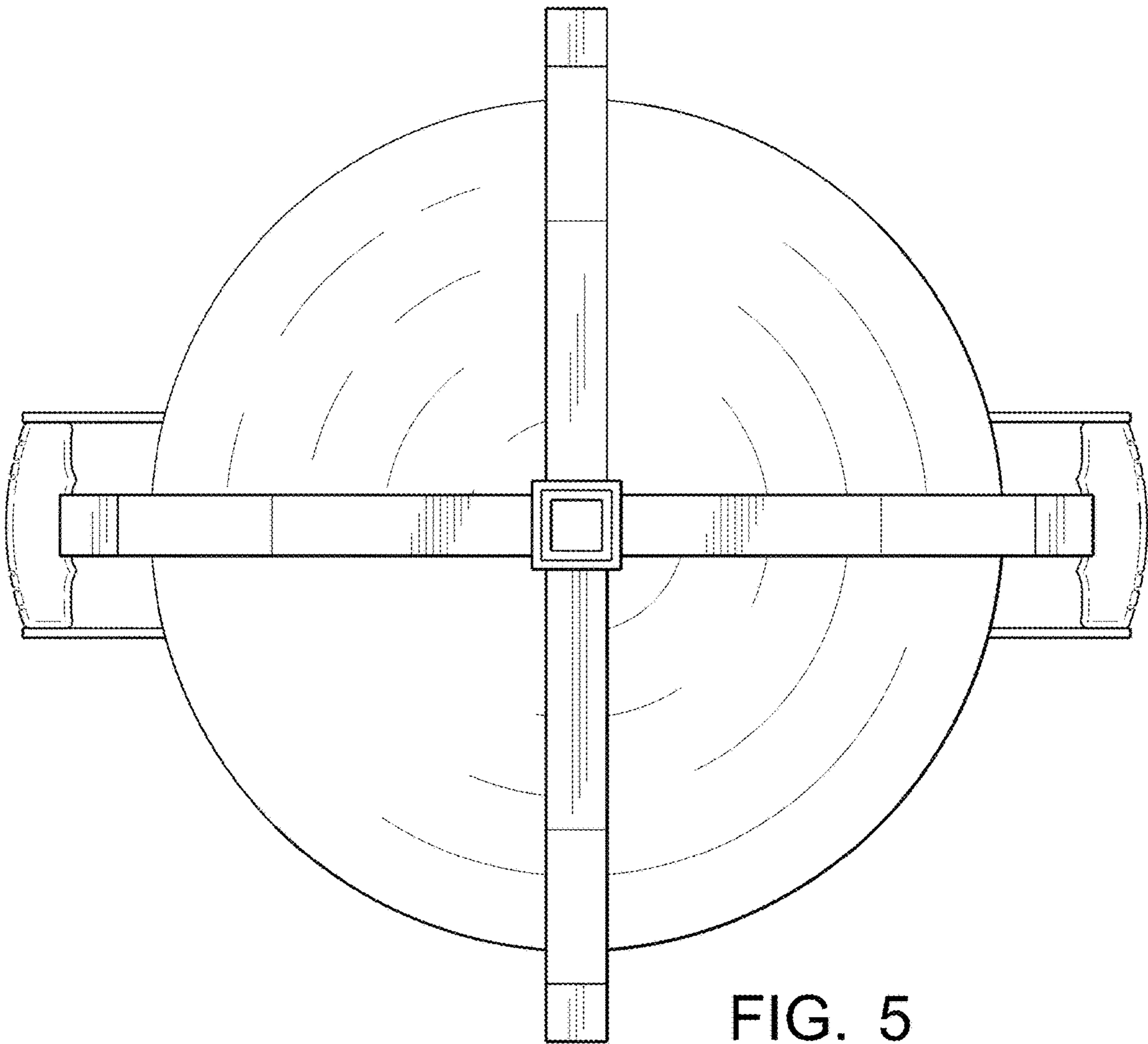


FIG. 5

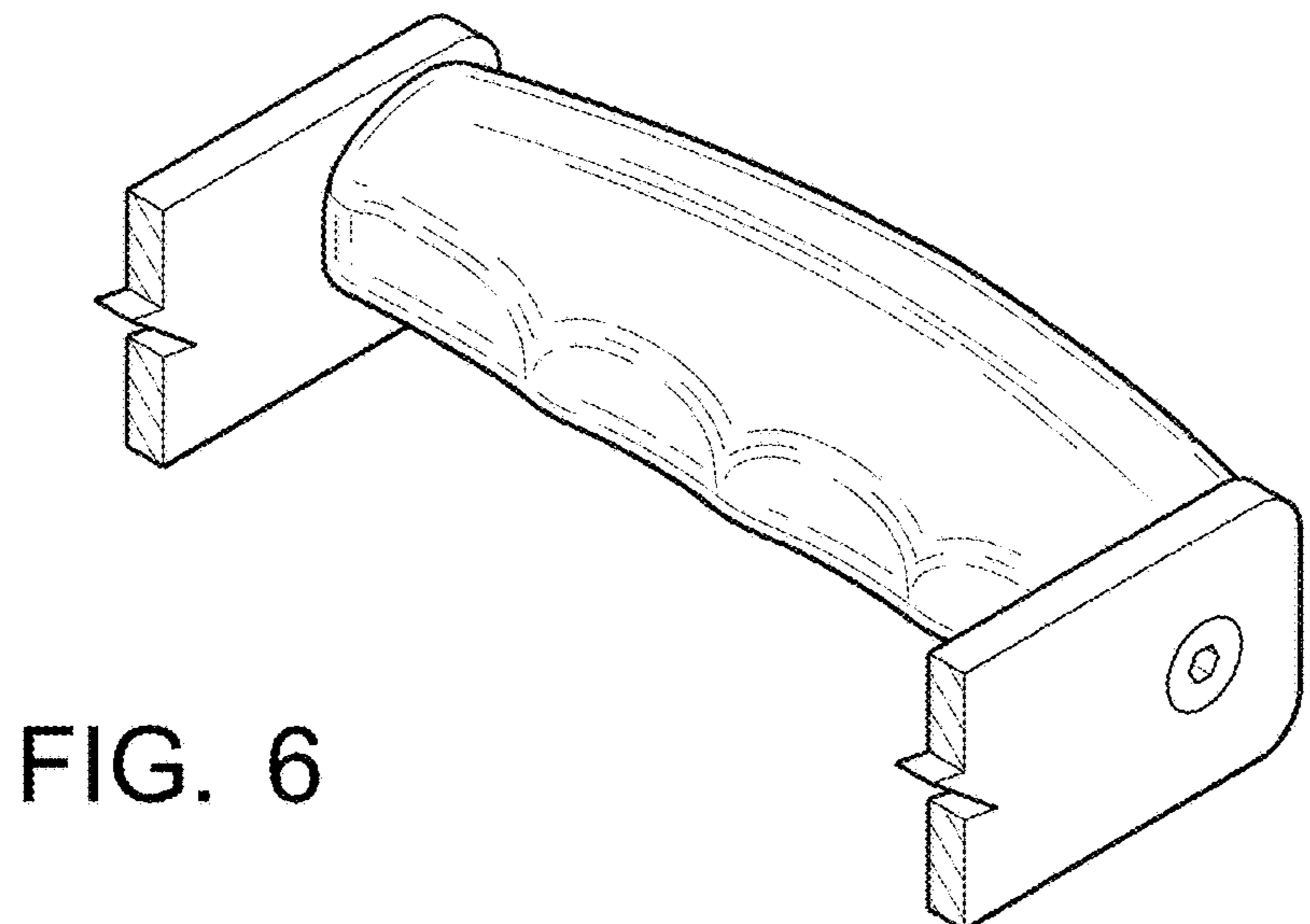


FIG. 6