



US00D791526S

(12) **United States Design Patent**  
**Rose et al.**

(10) **Patent No.:** **US D791,526 S**

(45) **Date of Patent:** **\*\* Jul. 11, 2017**

(54) **TOASTER**  
(71) Applicant: **Williams-Sonoma, Inc.**, San Francisco, CA (US)  
(72) Inventors: **Phillip John Patrick Rose**, San Francisco, CA (US); **Mihai Hoge**, Atlanta, GA (US)  
(73) Assignee: **Williams-Sonoma, Inc.**, San Francisco, CA (US)

D509,702 S \* 9/2005 Picozza ..... D7/330  
D548,512 S \* 8/2007 Nakatani ..... D7/330  
D553,421 S \* 10/2007 Kim ..... D7/330  
D567,570 S \* 4/2008 O'Loughlin ..... D7/330  
D640,893 S \* 7/2011 Lindquist ..... D7/330  
D644,473 S \* 9/2011 Pantaleo ..... D7/330  
D688,509 S \* 8/2013 Carlson ..... D7/330  
D724,885 S \* 3/2015 Kunz ..... D7/330  
D746,093 S \* 12/2015 Bazzicalupo ..... D7/330  
D761,610 S \* 7/2016 Carpenter ..... D7/330  
D765,456 S \* 9/2016 Lee ..... D7/330

\* cited by examiner

(\*\*) Term: **15 Years**

*Primary Examiner* — Ricky Pham

(21) Appl. No.: **29/572,078**

(74) *Attorney, Agent, or Firm* — Cook Alex Ltd.; R. Blake Johnston

(22) Filed: **Jul. 25, 2016**

(51) **LOC (10) Cl.** ..... **07-02**

(57) **CLAIM**

(52) **U.S. Cl.**  
USPC ..... **D7/330**

The ornamental design for a toaster, as shown and described.

(58) **Field of Classification Search**  
USPC ..... D7/323, 328-330, 390  
CPC ... A21B 2/00; A47J 37/00; A47J 37/06; A47J 37/0611; A47J 37/08; A47J 37/0807; A47J 37/0814; A47J 37/0835; A47J 37/0842; A47J 37/085; A47J 37/0864; A47J 37/0878; A47J 37/0885; A47J 37/0892; F24C 15/10; F24C 15/102  
See application file for complete search history.

**DESCRIPTION**

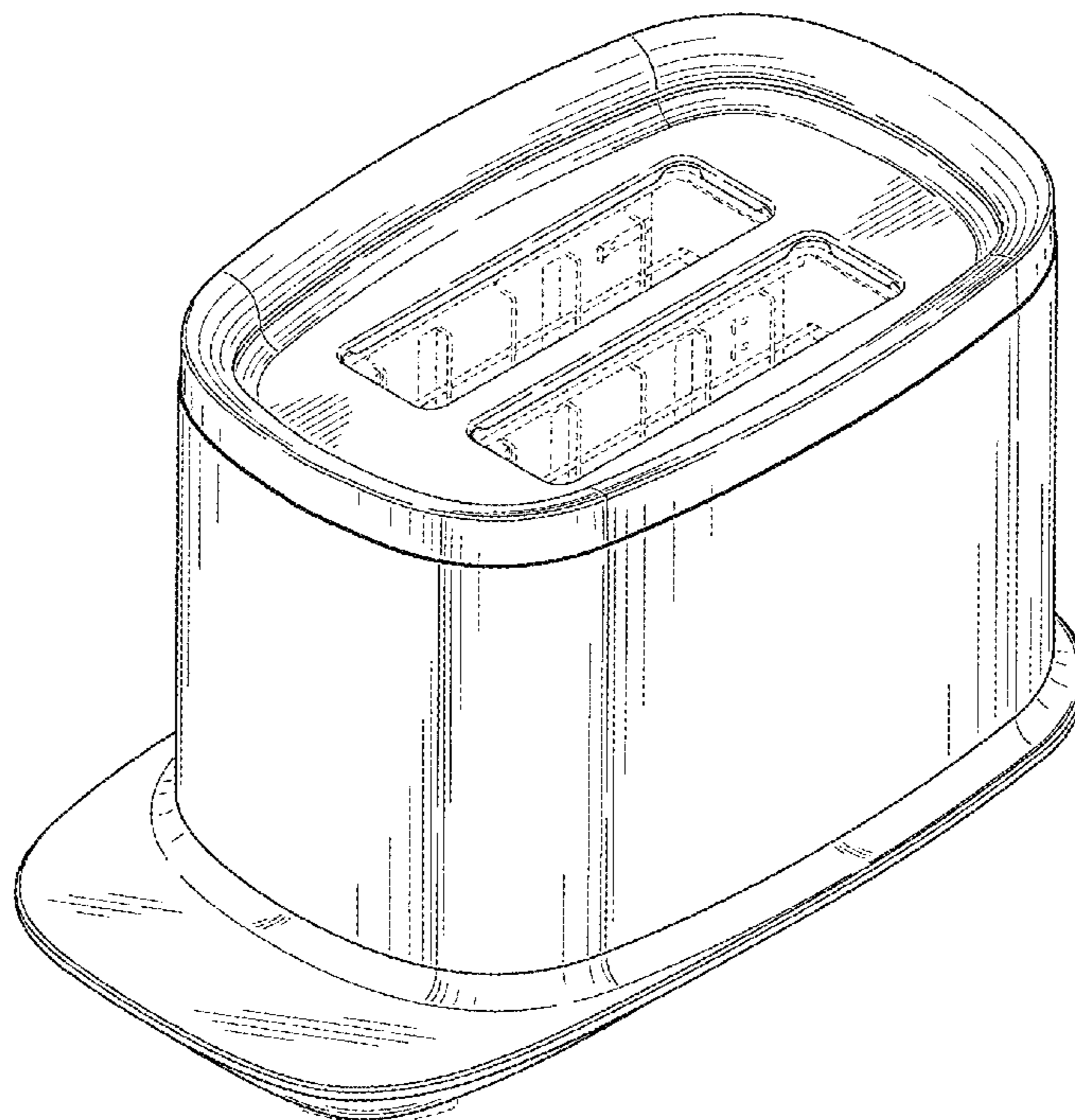
FIG. 1 is a perspective view of the toaster;  
FIG. 2 is a front elevational view of the toaster;  
FIG. 3 is a rear elevational view of the toaster;  
FIG. 4 is a left side elevational view of the toaster;  
FIG. 5 is a right side elevational view of the toaster;  
FIG. 6 is a top plan view of the toaster; and,  
FIG. 7 is a bottom plan view of the toaster.  
The broken lines shown in the drawings are for illustrative purposes only and form no part of the claimed design.

(56) **References Cited**

U.S. PATENT DOCUMENTS

D472,421 S \* 4/2003 To ..... D7/330  
D492,536 S \* 7/2004 Wong ..... D7/330

**1 Claim, 5 Drawing Sheets**



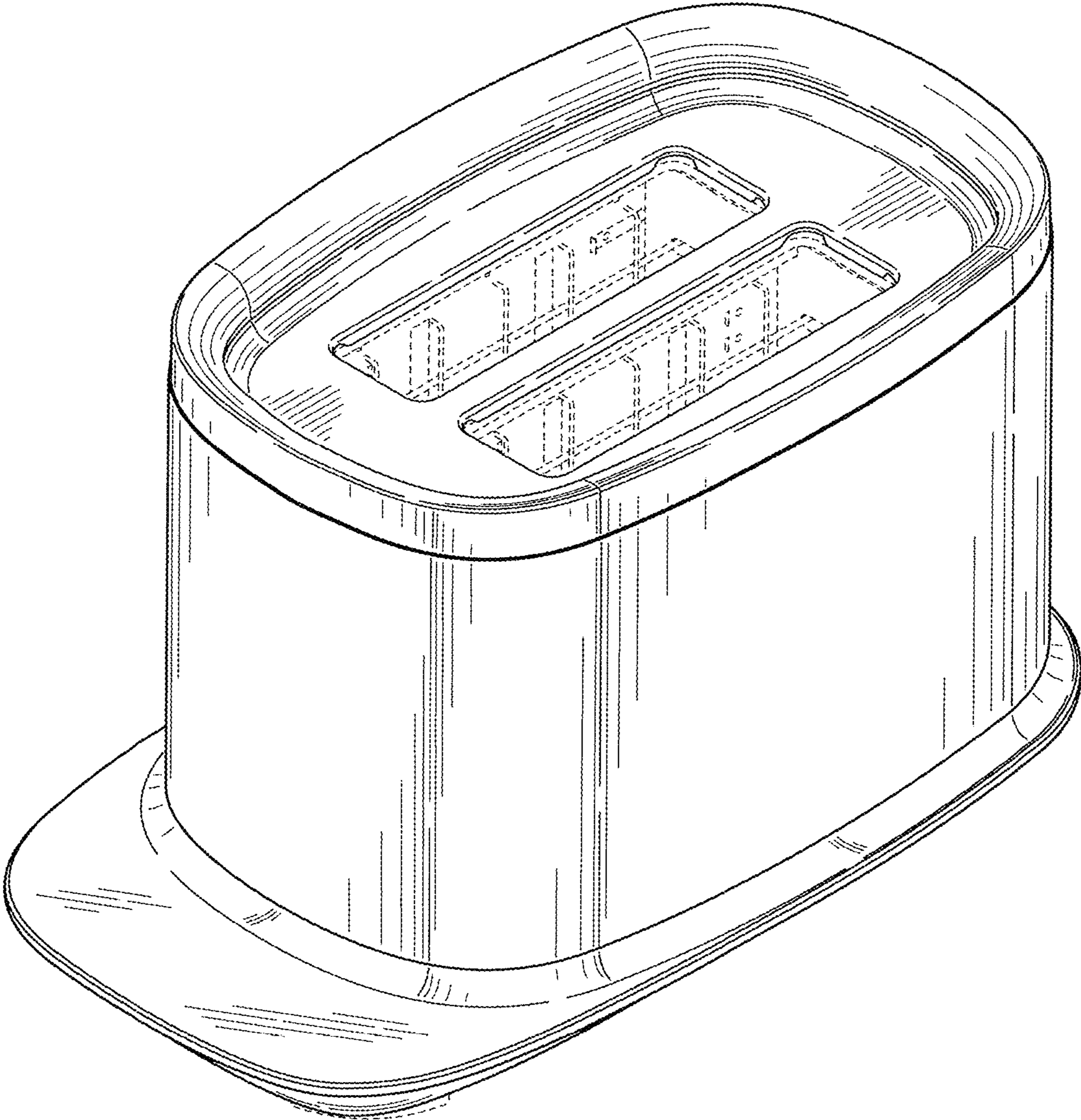


FIG. 1

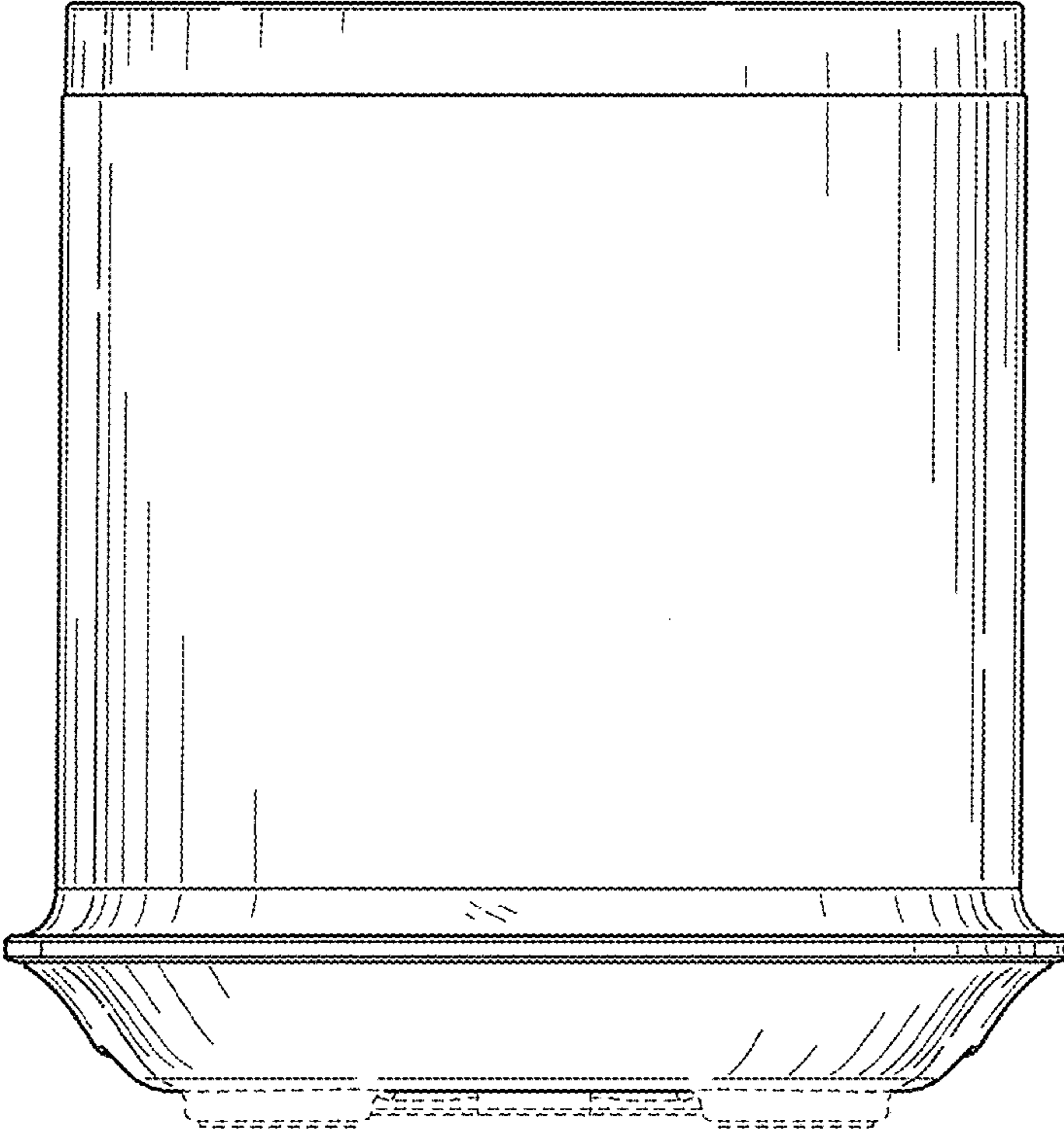


FIG. 2

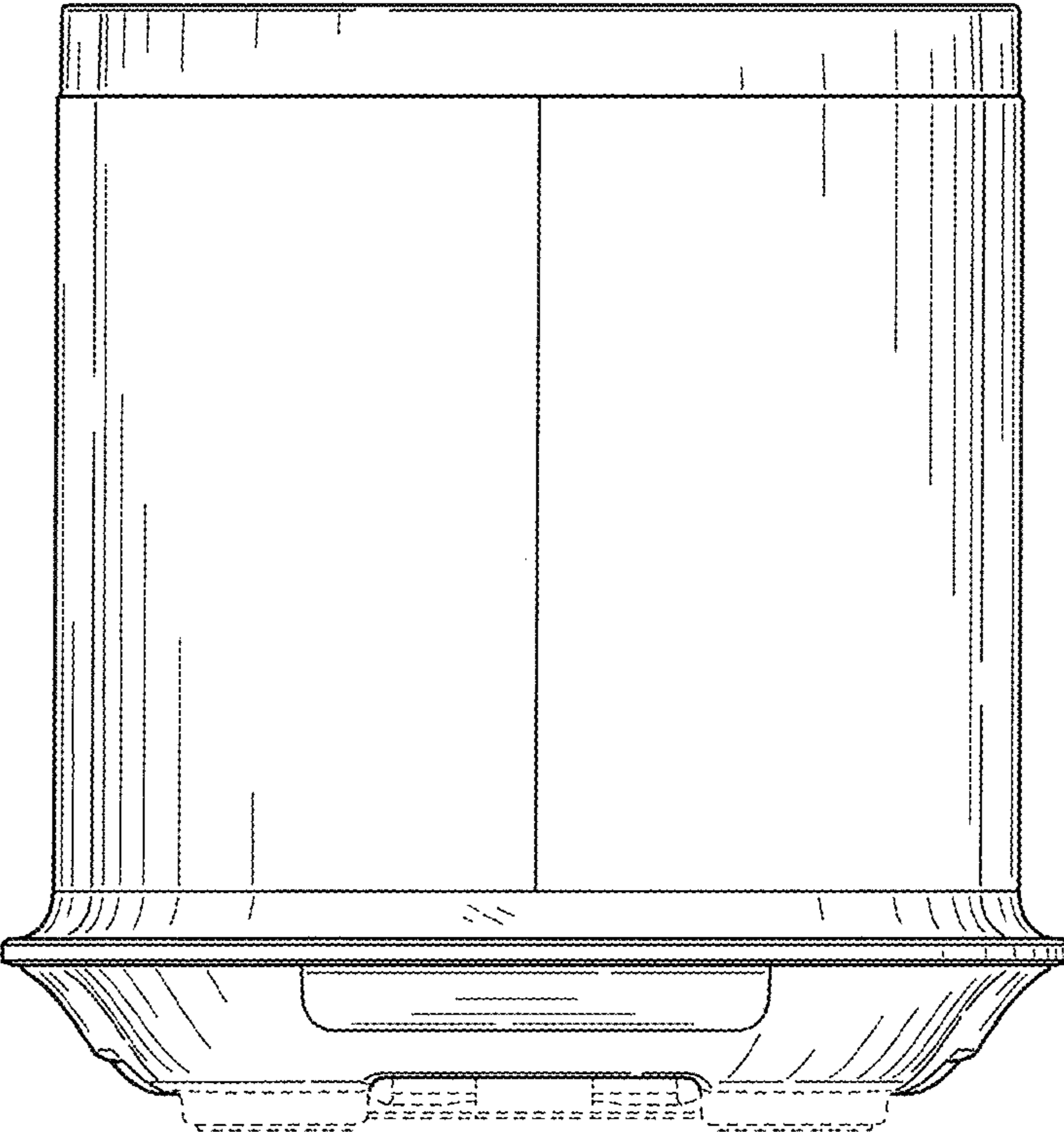


FIG. 3

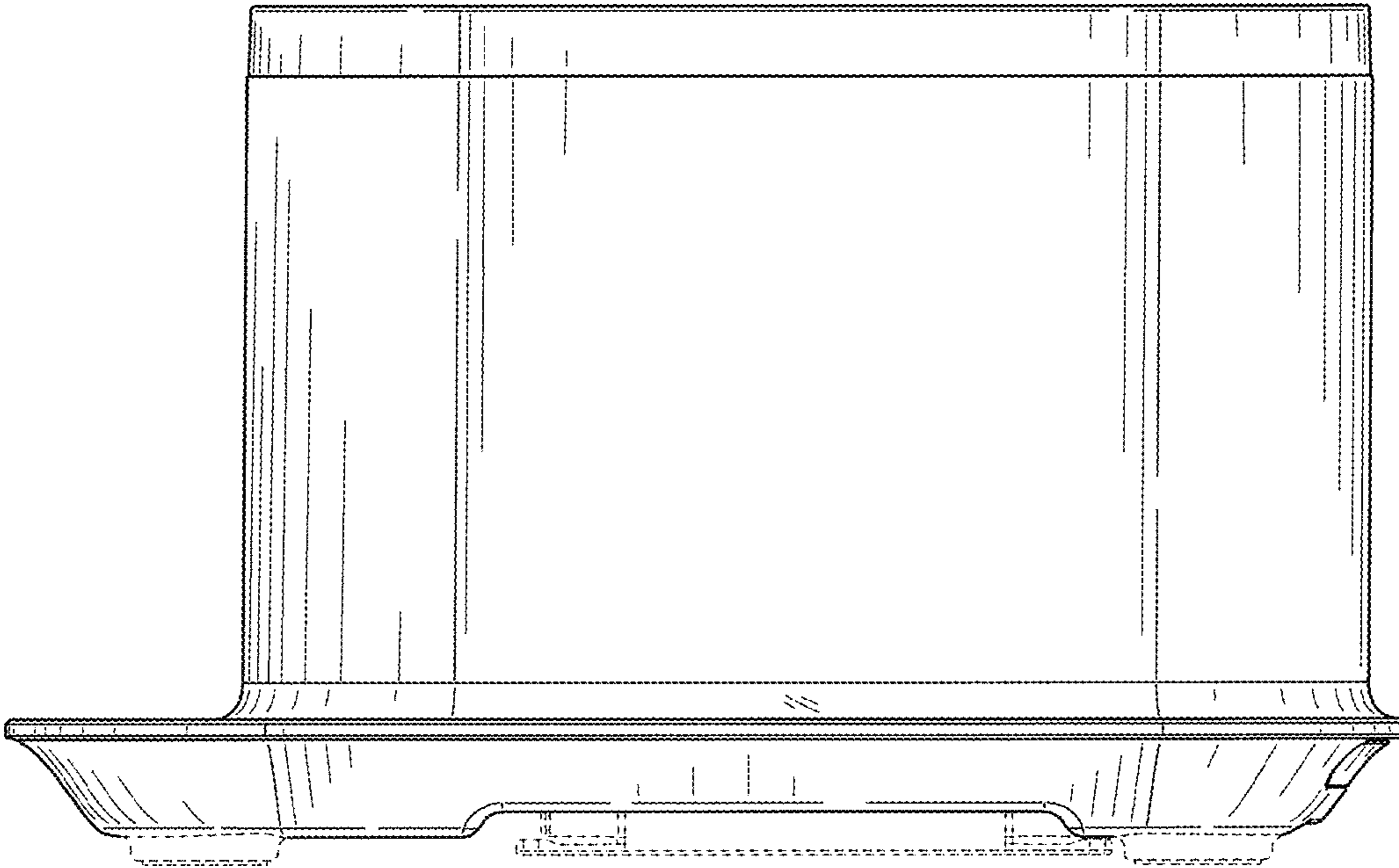


FIG. 4

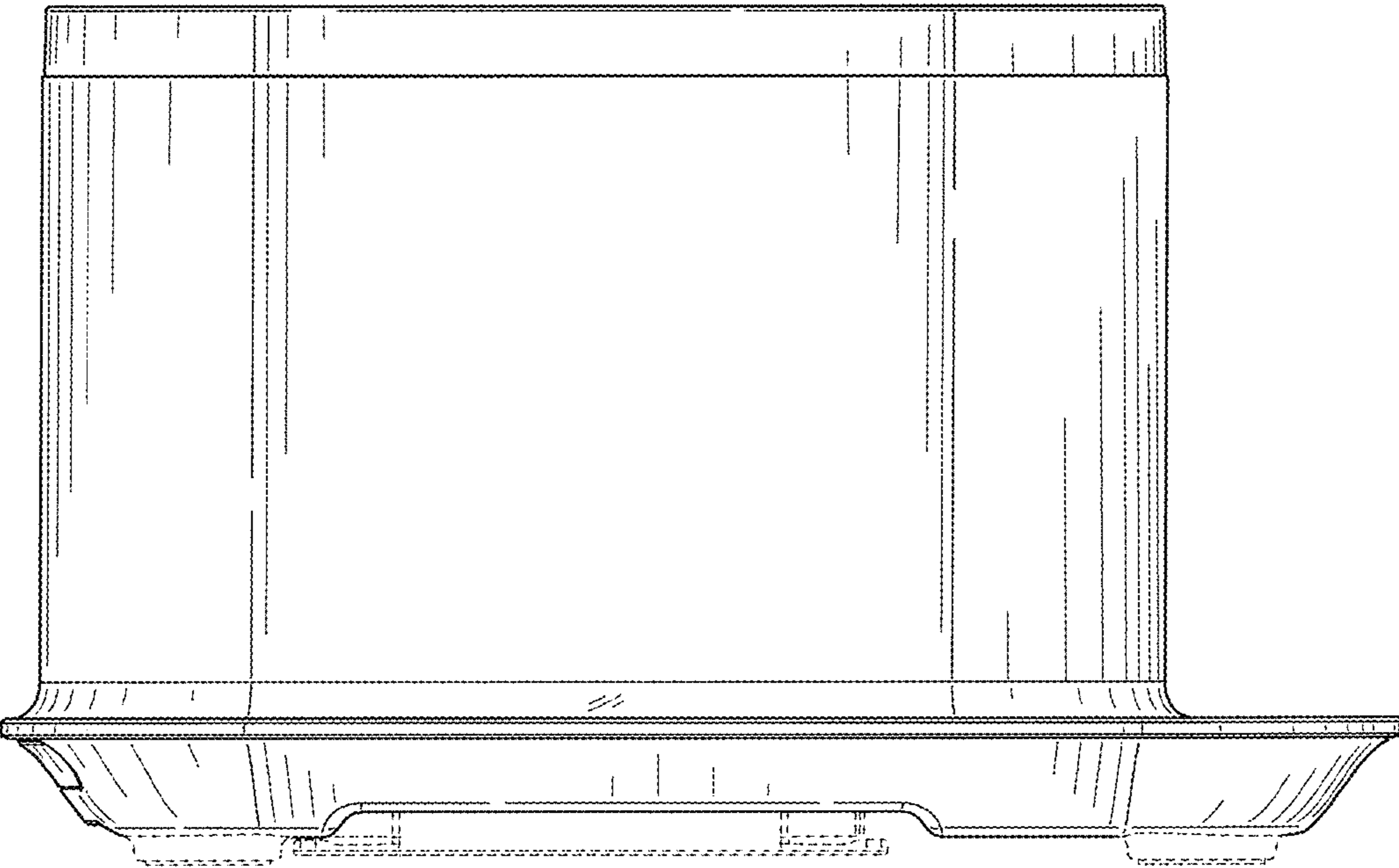


FIG. 5

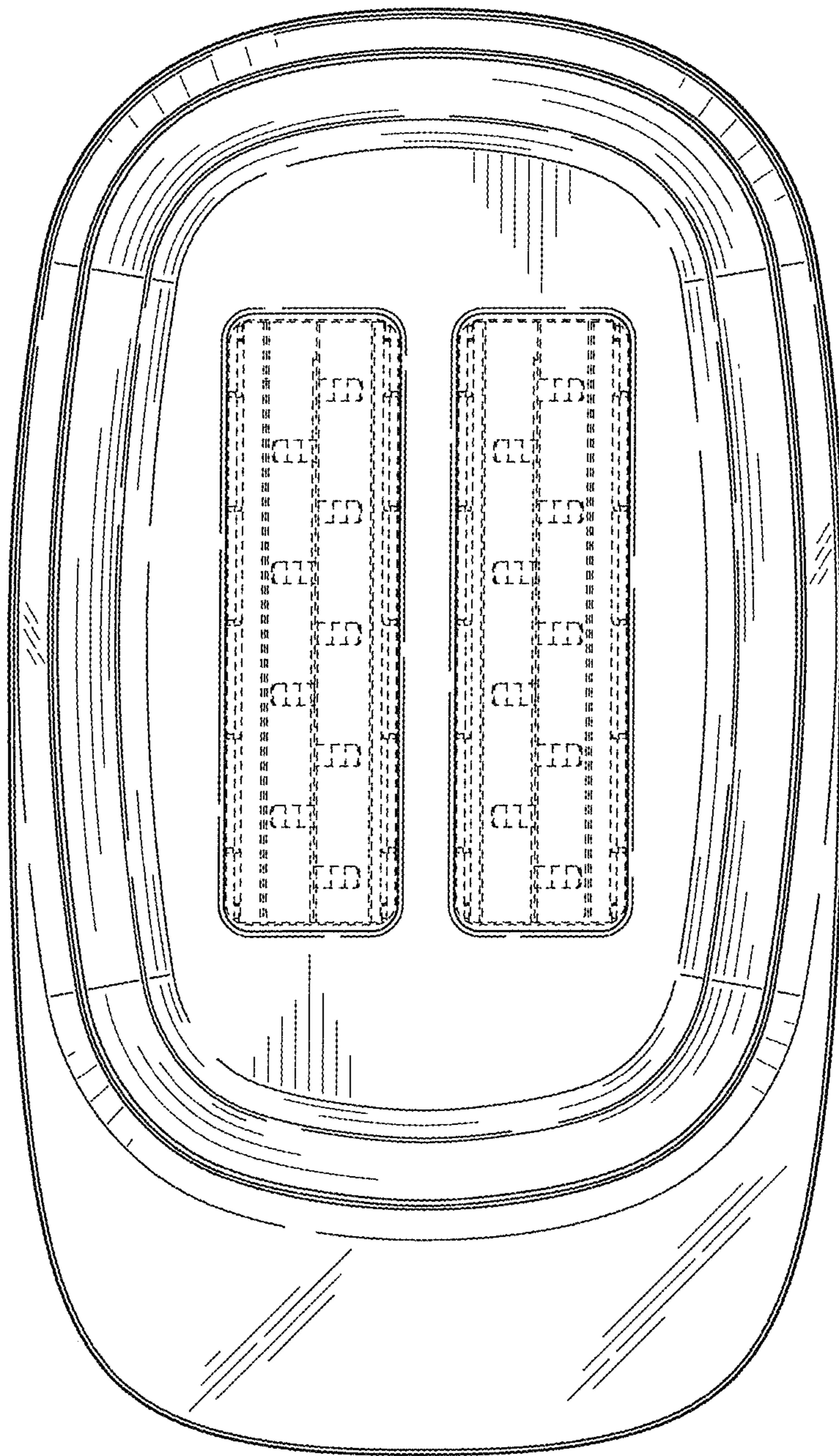


FIG. 6

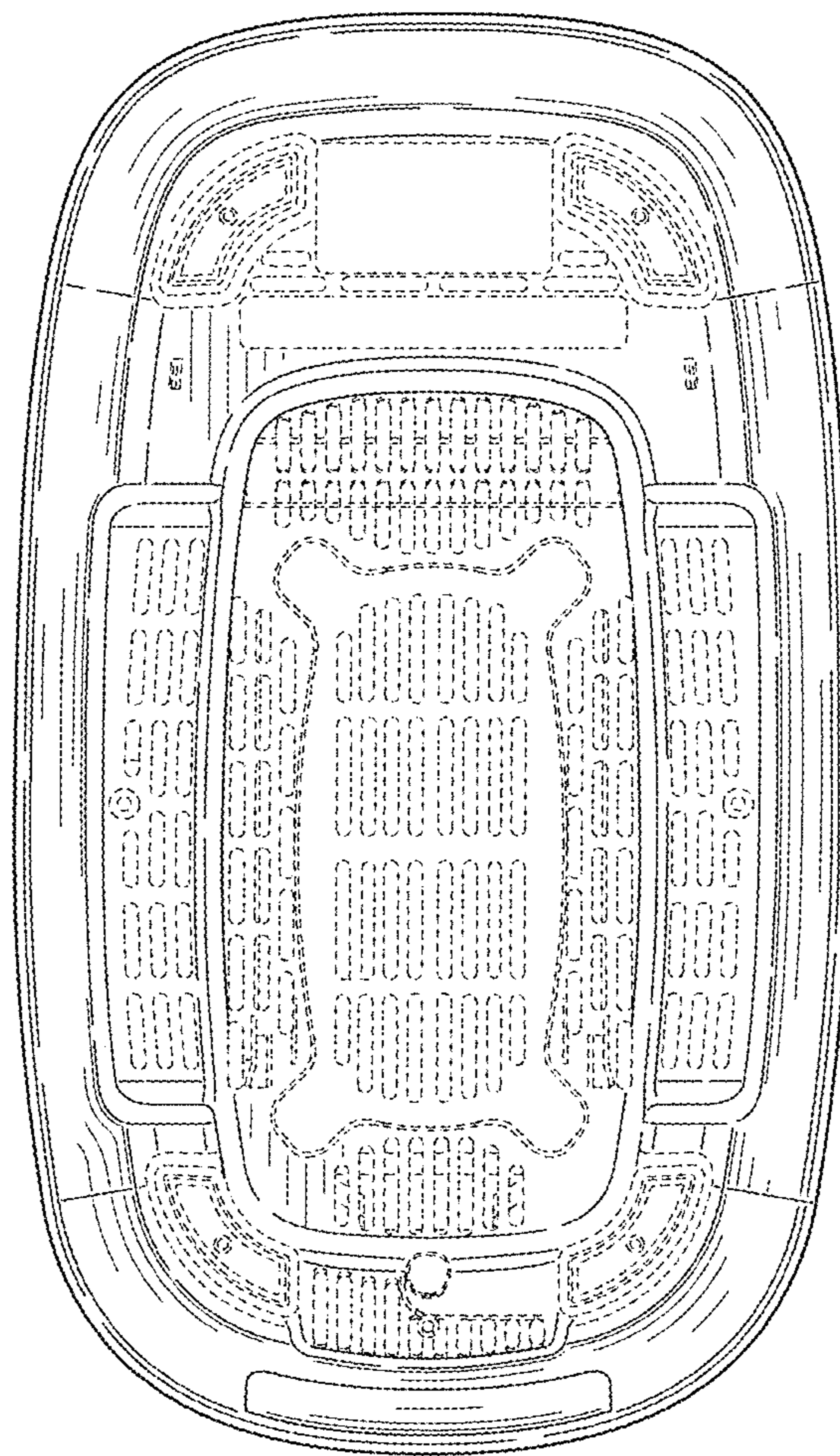


FIG. 7