

US00D791522S

(12) **United States Design Patent**
Rafieha

(10) **Patent No.:** **US D791,522 S**

(45) **Date of Patent:** **** Jul. 11, 2017**

(54) **END TABLE**

(71) Applicant: **Abbyson Living Corporation**,
Calabasas, CA (US)

(72) Inventor: **Rodd Rafieha**, Calabasas, CA (US)

(73) Assignee: **ABBYSON LIVING LLC**, Calabasas,
CA (US)

(**) Term: **15 Years**

(21) Appl. No.: **29/562,421**

(22) Filed: **Apr. 26, 2016**

(51) **LOC (10) Cl.** **06-03**

(52) **U.S. Cl.**
USPC **D6/689**; D6/691.9

(58) **Field of Classification Search**
USPC D6/349, 671, 677, 687, 690, 691, 691.1,
D6/691.2, 691.3, 691.4, 691.5, 693, 689,
D6/691.9, 695, 695.2
CPC A47B 7/00; A47B 13/08; A47B 13/10;
A47B 14/00; A47B 21/00; A47B 25/00;
A47B 2009/006; A47B 11/00; A47F
70/00; G09F 1/10; G09F 3/18
See application file for complete search history.

(56) **References Cited**

U.S. PATENT DOCUMENTS

D237,729 S *	11/1975	Coppa	D11/145
D240,582 S *	7/1976	Friedman	D6/691.8
D244,113 S *	4/1977	Friedman	D6/691.9
D255,519 S *	6/1980	Friedman	D6/691.9
D301,814 S *	6/1989	Bush	D6/691.9

D345,475 S *	3/1994	Ferguson	D6/691.7
D362,769 S *	10/1995	Paus	D6/691.1
D402,828 S *	12/1998	Hutton	D6/691
D414,354 S *	9/1999	Gower	D6/691.1
D557,036 S *	12/2007	Bates	D6/657
D559,017 S *	1/2008	Domack	D6/691.9
D595,979 S *	7/2009	Schweikarth	D6/691.1
D749,345 S *	2/2016	Everson	D6/691.1
D776,469 S *	1/2017	Gasic	D6/691

OTHER PUBLICATIONS

Willow & Reed. Rattan furniture. 1970. [retrieved on Jan. 13, 2017]. Retrieved from E2D2/ STIC <<http://uspto.pi2solutions.com/Records/recorddisplay.aspx?record=1&PUI=uspdrgr130303016842&searchid=13208&StemID=78037>>.*

* cited by examiner

Primary Examiner — Mary Ann Calabrese

Assistant Examiner — Sloan Rozin

(74) *Attorney, Agent, or Firm* — Koppel, Patrick, Heybl & Philpott

(57) **CLAIM**

The ornamental design for an end table, as shown and described.

DESCRIPTION

FIG. 1 is a perspective view of an end table according to this design;

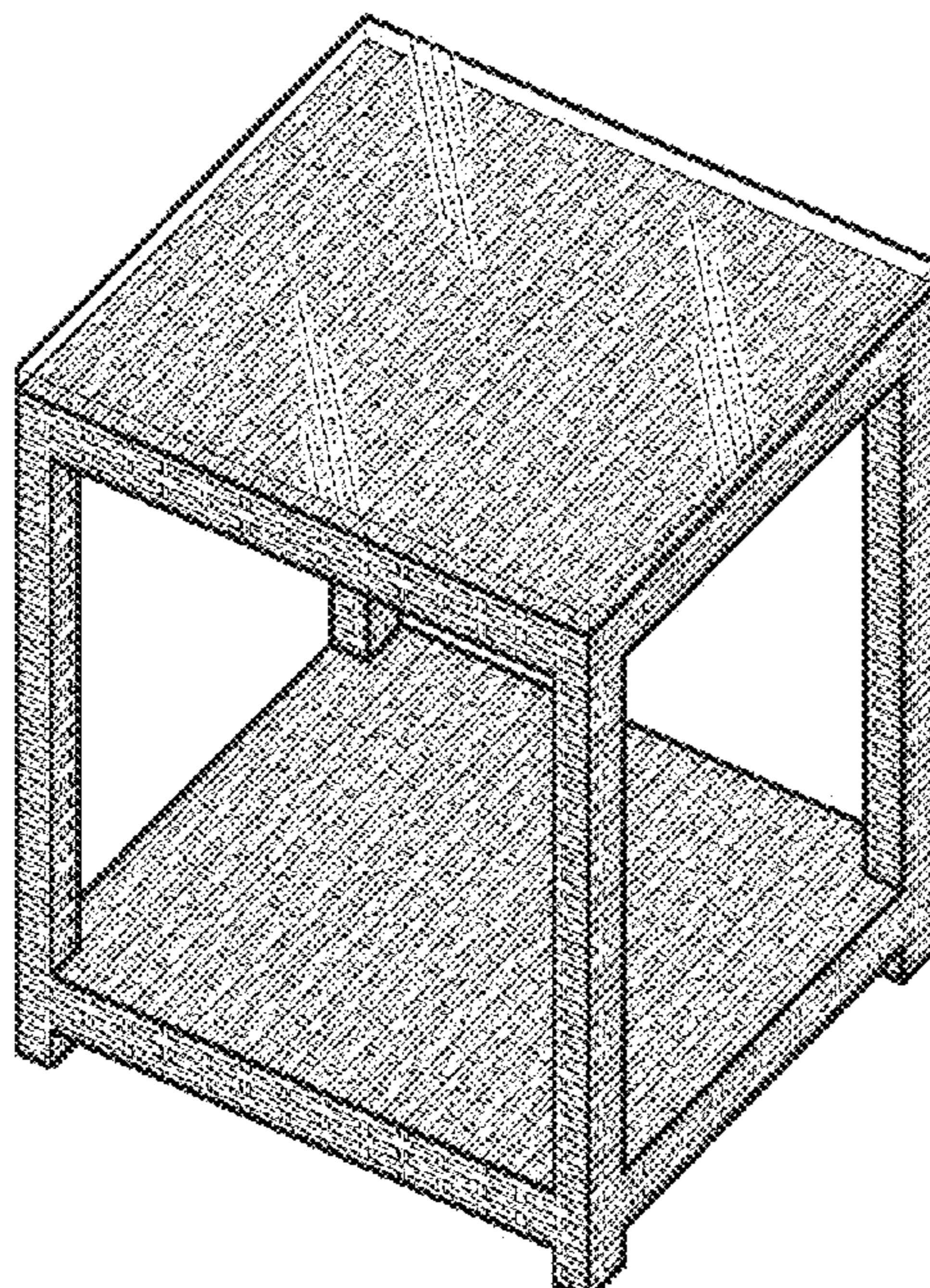
FIG. 2 is a front view thereof;

FIG. 3 is a right side view thereof; the left side being a mirror image of the right side view.

FIG. 4 is a top view thereof; and,

FIG. 5 is a bottom view thereof.

1 Claim, 3 Drawing Sheets



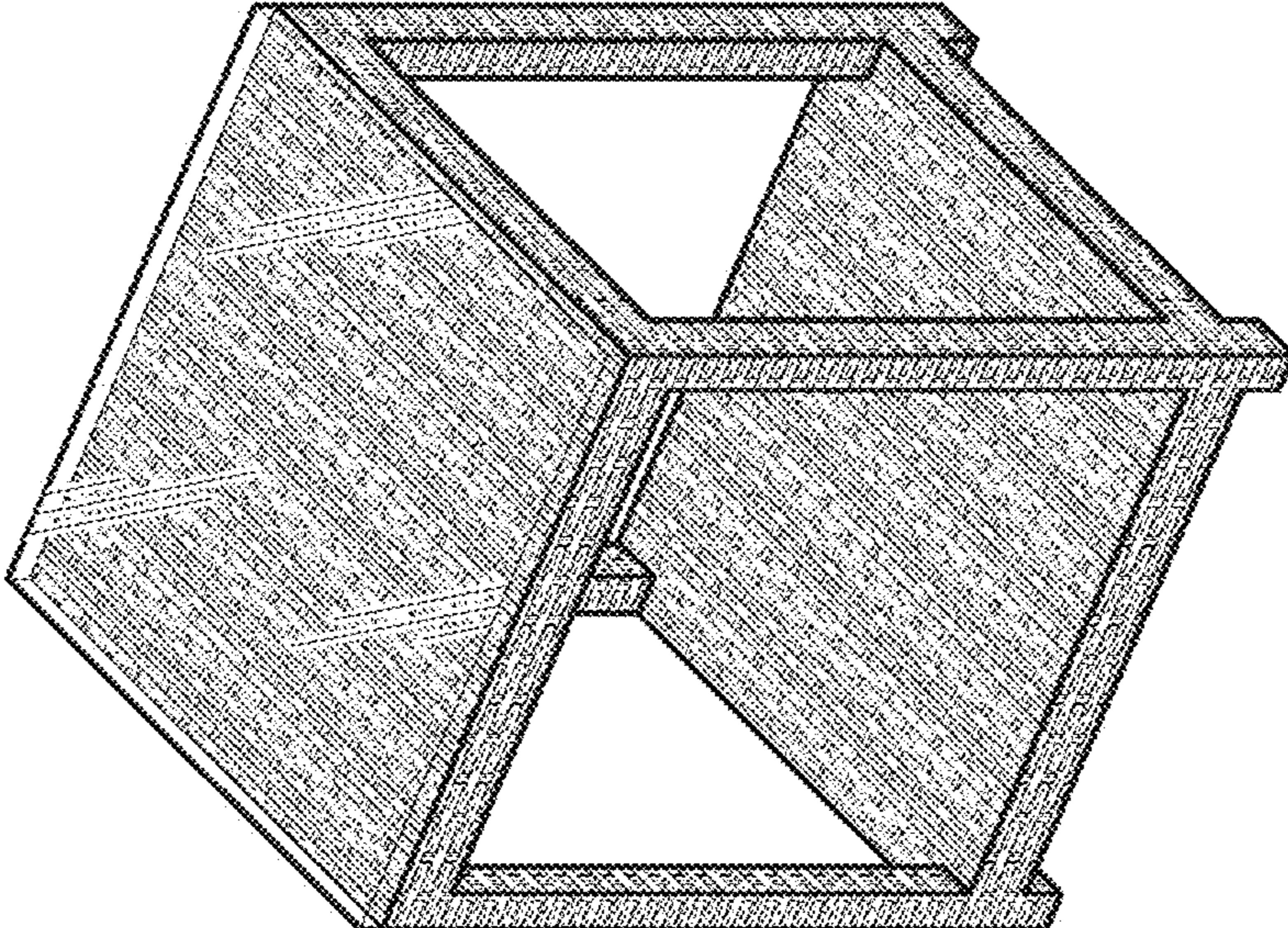


FIG. 1

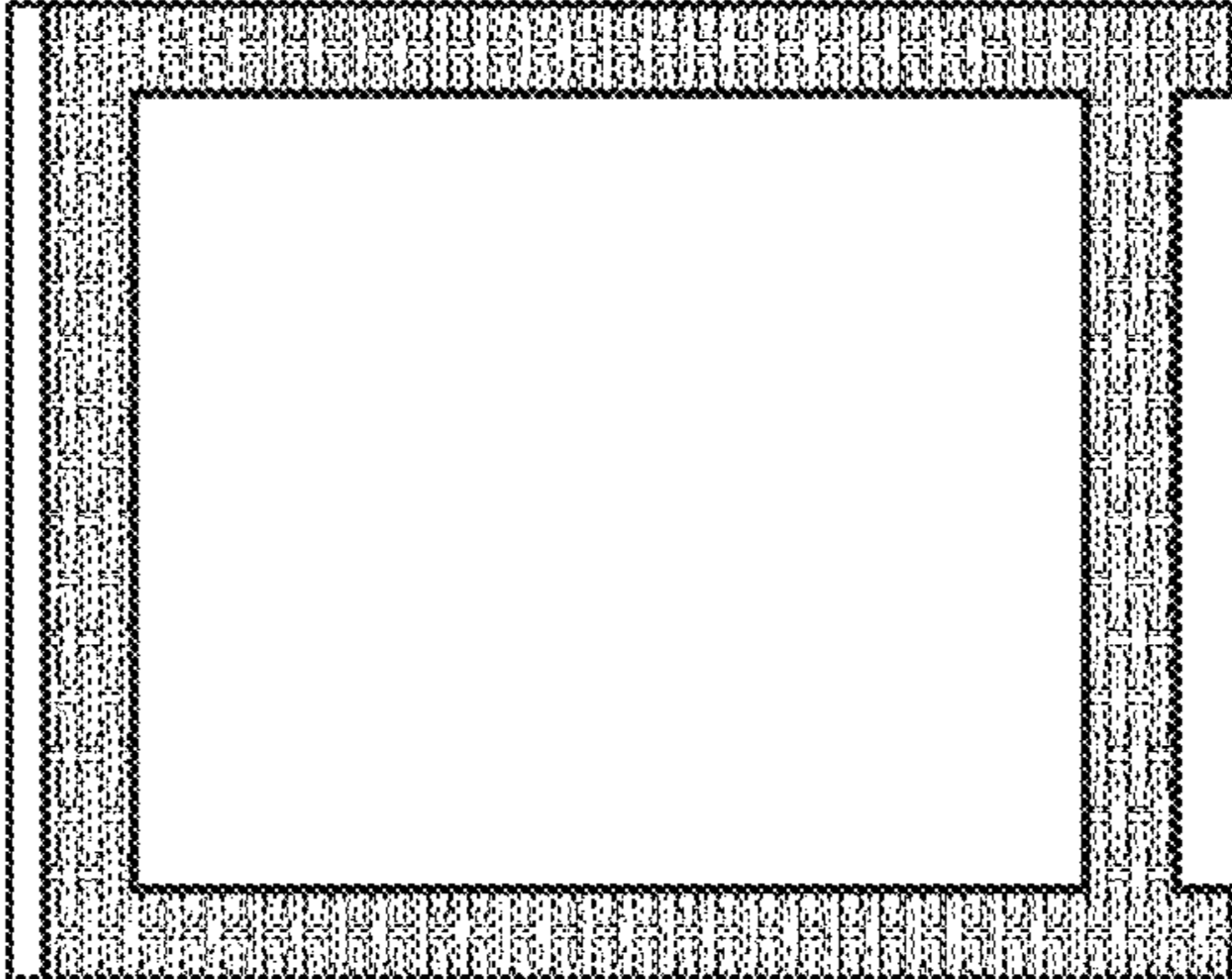


FIG. 3

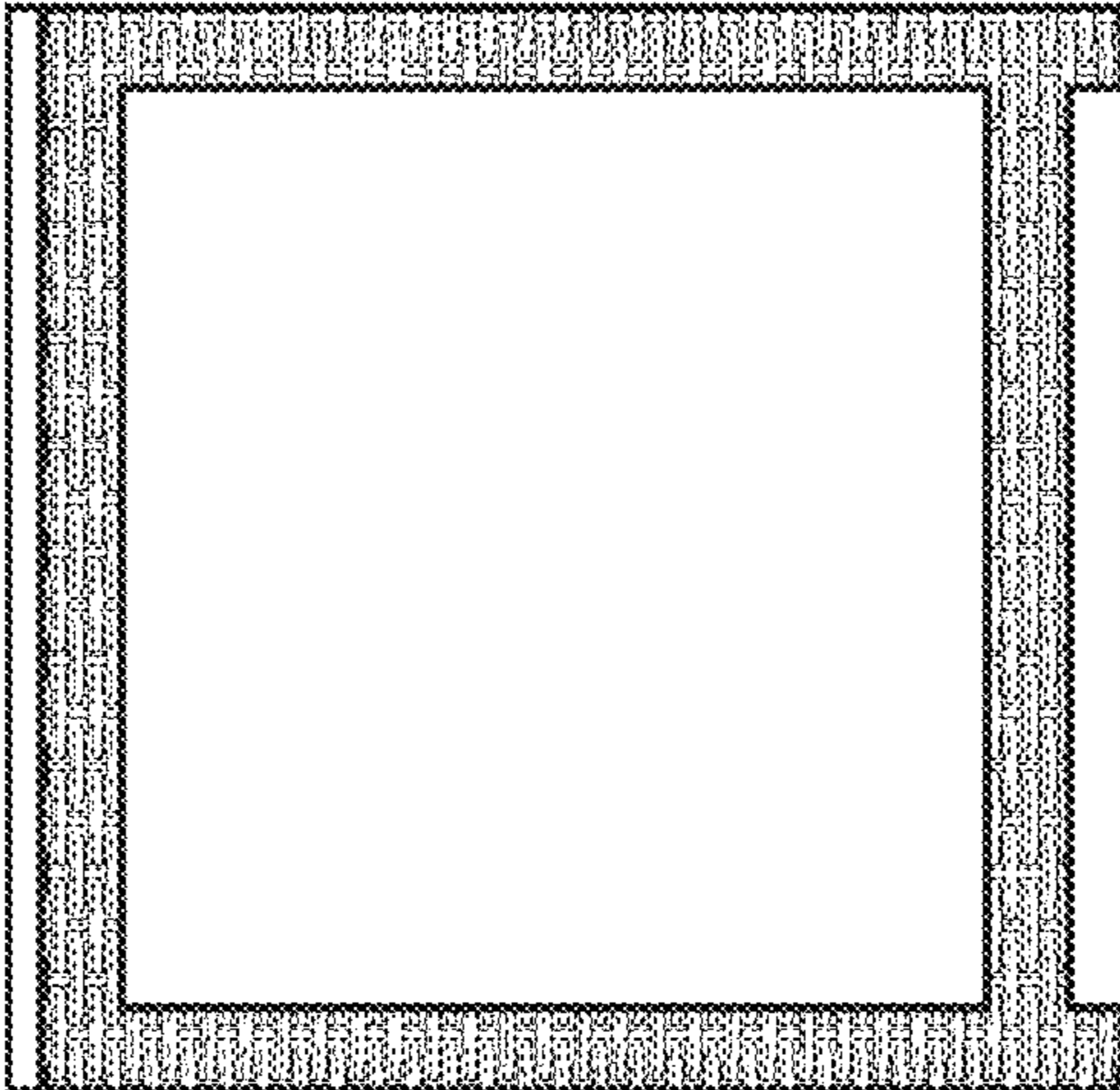


FIG. 2

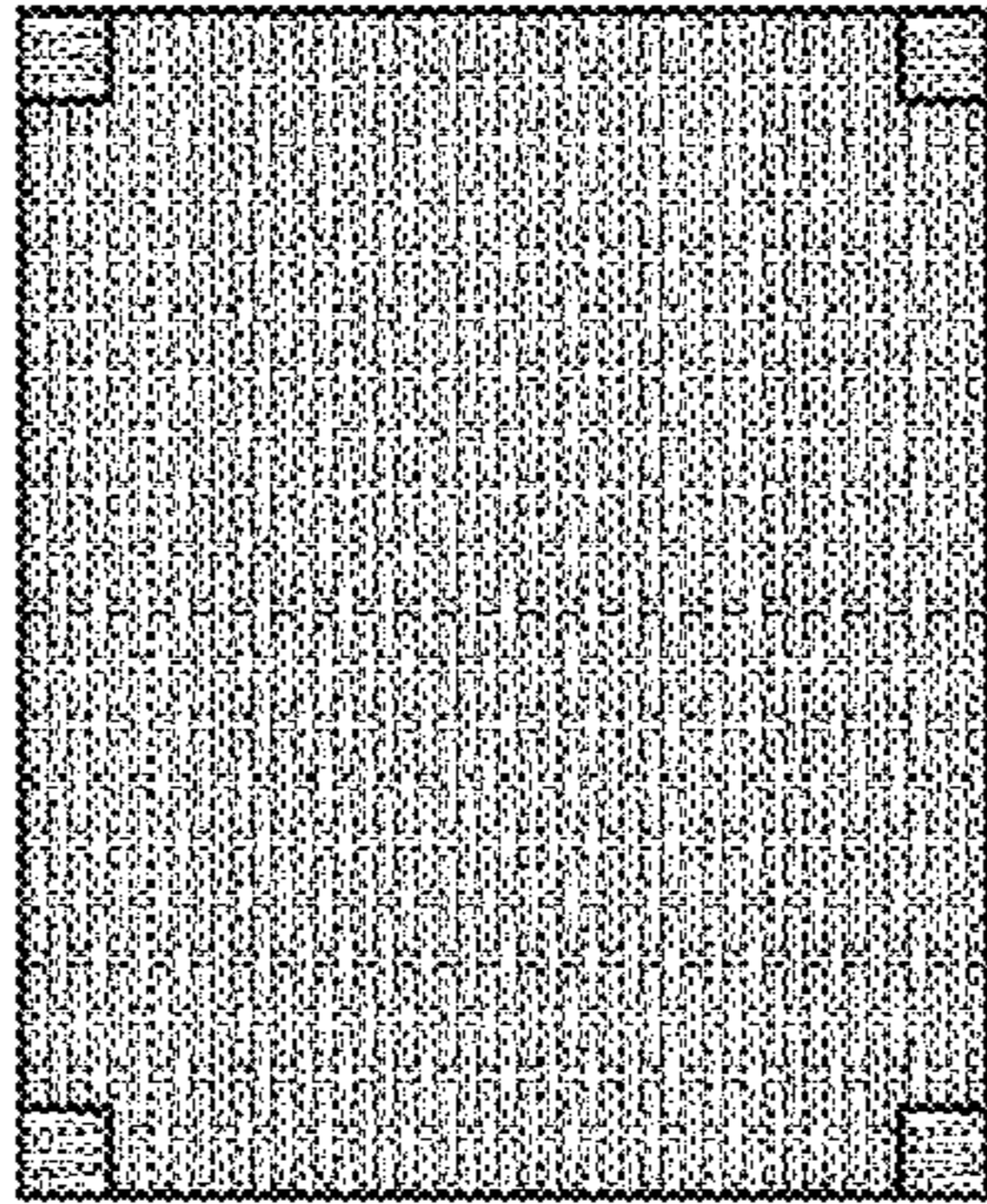


FIG. 5

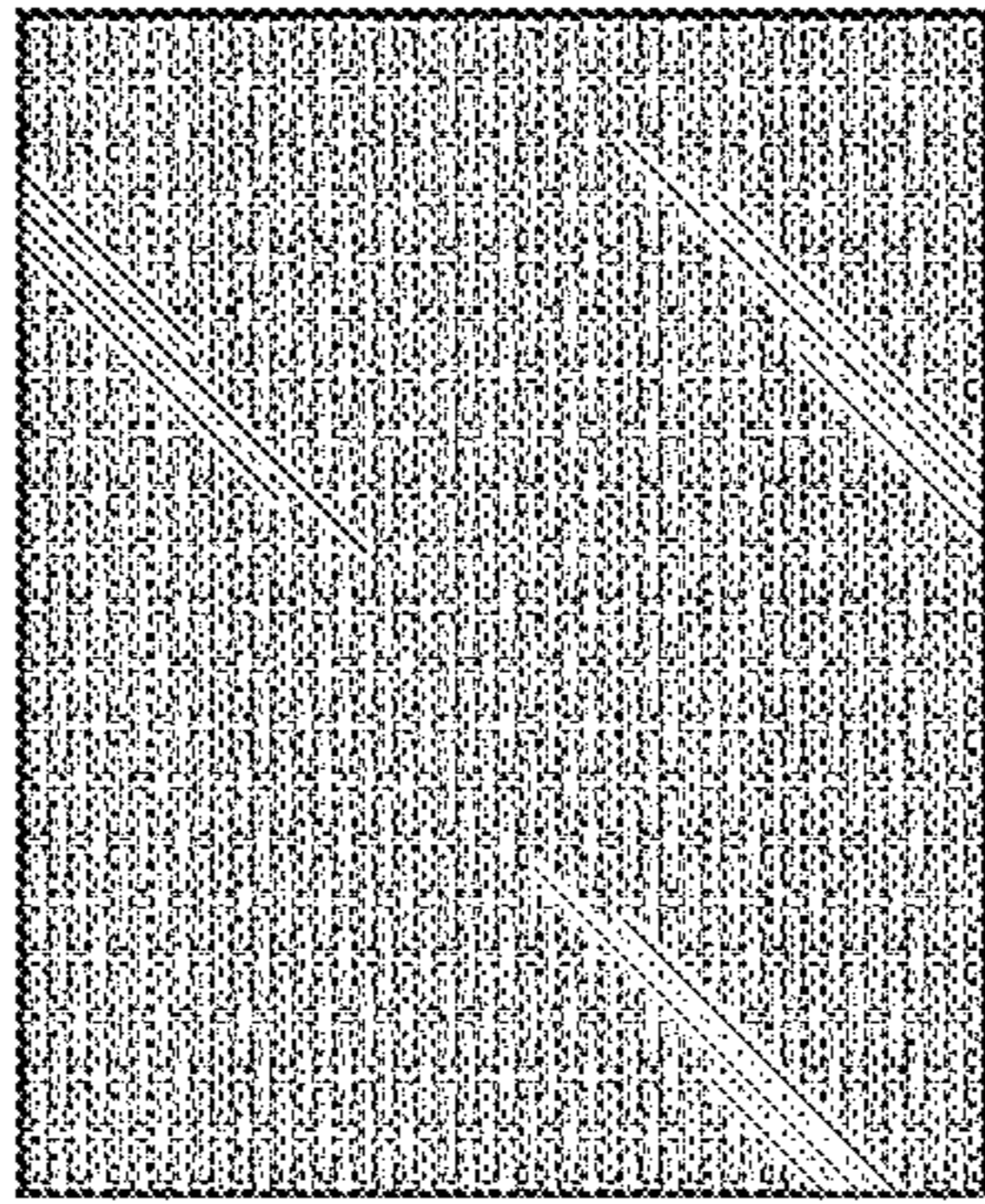


FIG. 4