



US00D791521S

(12) **United States Design Patent** (10) **Patent No.:** **US D791,521 S**
Schwalbach et al. (45) **Date of Patent:** **** Jul. 11, 2017**

(54) **DISPLAY STAND COMPONENT**

FOREIGN PATENT DOCUMENTS

(71) Applicant: **Apple Inc.**, Cupertino, CA (US)

JP D1430086 12/2011
KR 30-0337376 11/2003

(72) Inventors: **Charles A. Schwalbach**, Menlo Park, CA (US); **Sheng Yang**, Mountain View, CA (US); **Russell John Kaaihue Heirakuji**, Cupertino, CA (US); **Carly Lynn Marasco**, Los Gatos, CA (US); **Michael Gorman**, Dublin, CA (US)

OTHER PUBLICATIONS

“Freedom Series,” Takachiho Koheki Co., Ltd., cited in Office Action mailed Apr. 6, 2016, in Japanese Patent Application No. 2015-009263, Apple Inc., filed Apr. 24, 2015.

(Continued)

(73) Assignee: **Apple Inc.**, Cupertino, CA (US)

Primary Examiner — Kelley Donnelly

(**) Term: **15 Years**

(74) *Attorney, Agent, or Firm* — Sterne, Kessler, Goldstein & Fox P.L.L.C.

(21) Appl. No.: **29/588,390**

(22) Filed: **Dec. 20, 2016**

(57) **CLAIM**

Related U.S. Application Data

The ornamental design for a display stand component, as shown and described.

(63) Continuation of application No. 29/564,382, filed on May 12, 2016, now Pat. No. Des. 777,482, which is a continuation of application No. 29/537,088, filed on Aug. 21, 2015, now Pat. No. Des. 756,152, which is a continuation of application No. 29/507,269, filed on Oct. 24, 2014, now Pat. No. Des. 737,081.

DESCRIPTION

(51) **LOC (10) Cl.** **06-06**

FIG. 1 is a top front perspective view of a display stand component showing the claimed design;

(52) **U.S. Cl.**

FIG. 2 is a front view thereof;

USPC **D6/682.3**

FIG. 3 is a rear view thereof;

(58) **Field of Classification Search**

FIG. 4 is a left side view thereof;

USPC D6/672, 673, 678, 681, 682, 682.1,

FIG. 5 is a right side view thereof;

D6/682.3, 702, 706; D14/432-433

FIG. 6 is a top view thereof; and,

CPC A47F 5/00; A47F 2005/0075; A47F 7/00;

FIG. 7 is a bottom view thereof.

A47B 96/06

See application file for complete search history.

The dashed broken lines in the figures show portions of the display stand component that form no part of the claimed design.

(56) **References Cited**

The dot-dash broken lines in the figures show boundaries that form no part of the claimed design.

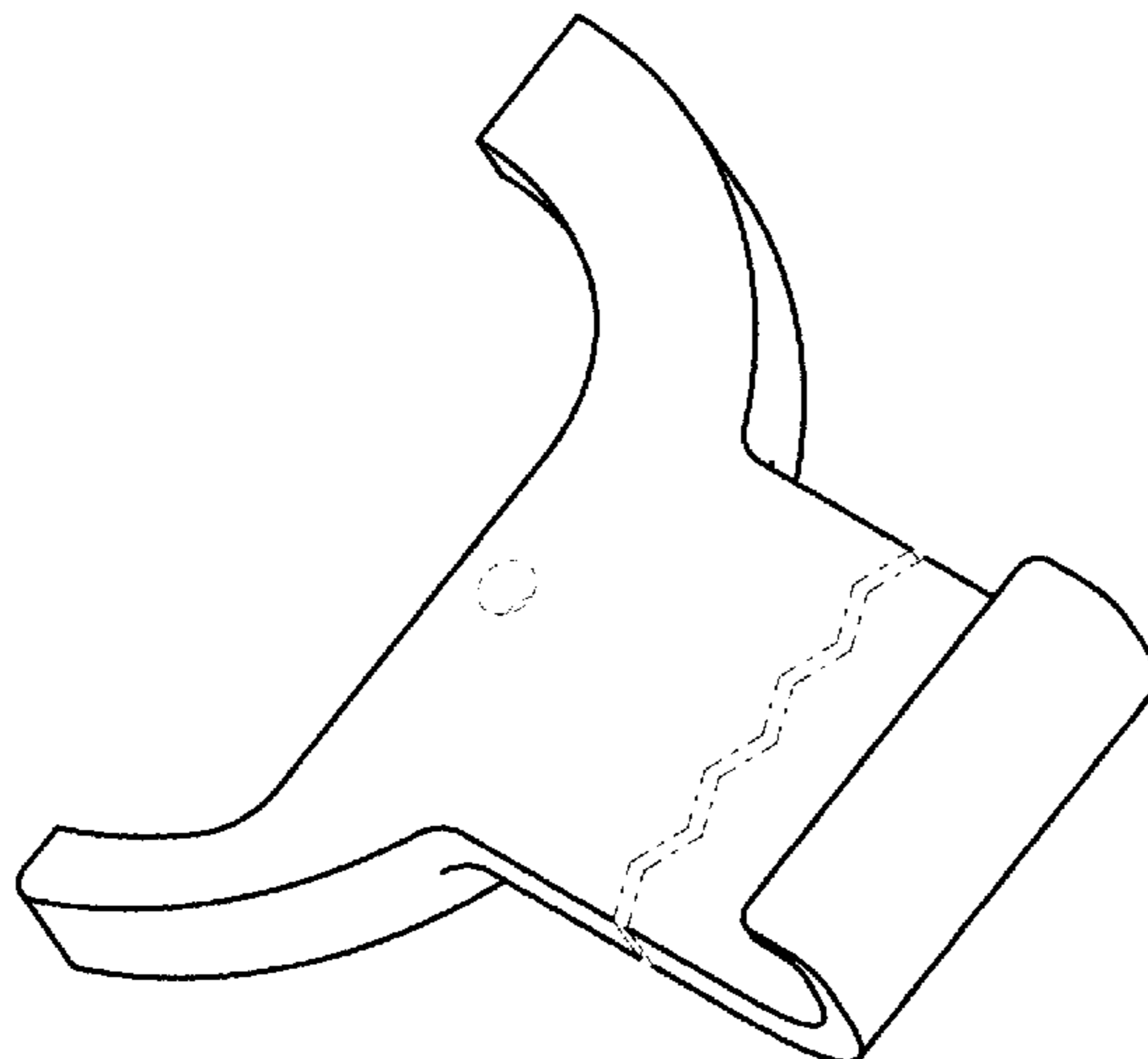
U.S. PATENT DOCUMENTS

The display stand component is shown in the figures with symbolic breaks in its length. The appearance of any portion or length of the article between the break lines forms no part of the claimed design.

D214,768 S 7/1969 Hillis
D244,857 S 6/1977 Hayes
D250,801 S 1/1979 Bergen et al.
D268,743 S 4/1983 Lubin

1 Claim, 4 Drawing Sheets

(Continued)



(56)

References Cited

U.S. PATENT DOCUMENTS

D314,501 S 2/1991 Pagano
 D367,408 S 2/1996 Fordyce
 D393,959 S 5/1998 Geier et al.
 D407,408 S 3/1999 Hoff
 D413,035 S * 8/1999 Weterrings D6/572
 6,109,569 A * 8/2000 Sakaida F16L 3/222
 248/316.7
 D446,043 S 8/2001 Stoppenhagen et al.
 6,476,717 B1 11/2002 Gross et al.
 D485,710 S 1/2004 Burkhart et al.
 D488,741 S 4/2004 Moya
 D490,559 S 5/2004 Small
 D510,358 S 10/2005 Ezure
 D510,822 S * 10/2005 Spiers D6/682.3
 7,209,038 B1 4/2007 Deconinck et al.
 D542,279 S 5/2007 Chan
 D545,826 S 7/2007 Richter
 D588,438 S * 3/2009 Keller D8/347
 D589,962 S 4/2009 Maruyama et al.
 D590,184 S 4/2009 Barabas et al.
 D599,241 S 9/2009 Andre et al.
 D608,718 S 1/2010 Nas et al.
 D612,837 S 3/2010 Murray
 7,724,135 B2 5/2010 Rapp et al.
 D617,383 S 6/2010 Yoon
 7,740,214 B2 6/2010 Marsilio et al.
 7,748,669 B2 7/2010 Lu et al.
 D628,203 S 11/2010 Noble
 D629,405 S 12/2010 Crysell
 D633,973 S * 3/2011 Ringl D21/793
 D641,610 S 7/2011 Sedalo
 D645,047 S 9/2011 Wike
 8,020,816 B2 9/2011 Laitila et al.
 D652,422 S 1/2012 Cheng
 8,087,625 B2 1/2012 Chang

8,145,821 B2 3/2012 Mead et al.
 D663,972 S 7/2012 Alexander et al.
 D673,960 S 1/2013 Lindfield et al.
 D682,814 S 5/2013 Kadivar et al.
 D685,253 S 7/2013 Hiebert
 D687,440 S 8/2013 Shieh
 D695,714 S 12/2013 Lee
 D696,259 S 12/2013 Howarth et al.
 D696,674 S 12/2013 Vogel
 D703,657 S 4/2014 Carnevali
 D704,199 S 5/2014 Byun
 D709,066 S 7/2014 Byun
 D709,357 S 7/2014 Bell
 D709,607 S 7/2014 Wang
 D720,752 S 1/2015 Bleads
 D729,043 S 5/2015 Poppell
 D731,496 S 6/2015 Voorhees
 D733,967 S 7/2015 Schlatter
 D734,746 S 7/2015 Vogel
 D735,162 S 7/2015 Allen
 D741,093 S 10/2015 McKinney et al.
 D743,941 S 11/2015 Patsis
 D744,621 S 12/2015 Shavatt et al.
 2006/0198692 A1 9/2006 Petit
 2009/0218240 A1 9/2009 Allen et al.
 2011/0047844 A1 3/2011 Fawcett et al.
 2011/0068919 A1 3/2011 Rapp et al.
 2011/0084838 A1 4/2011 Fawcett
 2011/0187531 A1 8/2011 Oehl et al.
 2012/0188082 A1 7/2012 Berglund et al.
 2012/0280810 A1 11/2012 Wheeler
 2014/0106608 A1 4/2014 Howarth et al.
 2015/0021458 A1 1/2015 Zorovich et al.

OTHER PUBLICATIONS

U.S. Appl. No. 29/470,931, filed Oct. 25, 2013; Howarth et al.

* cited by examiner

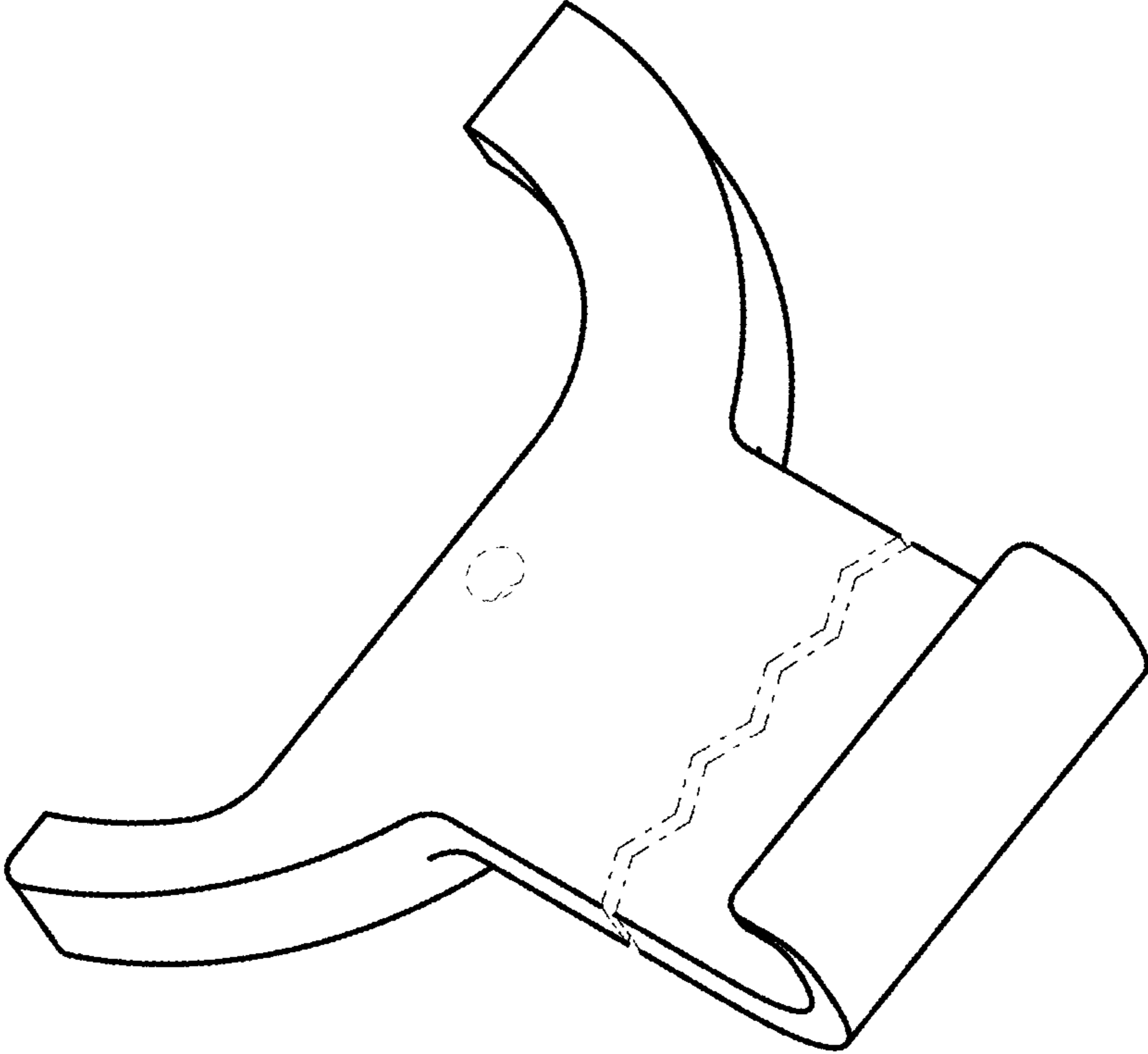


FIG. 1

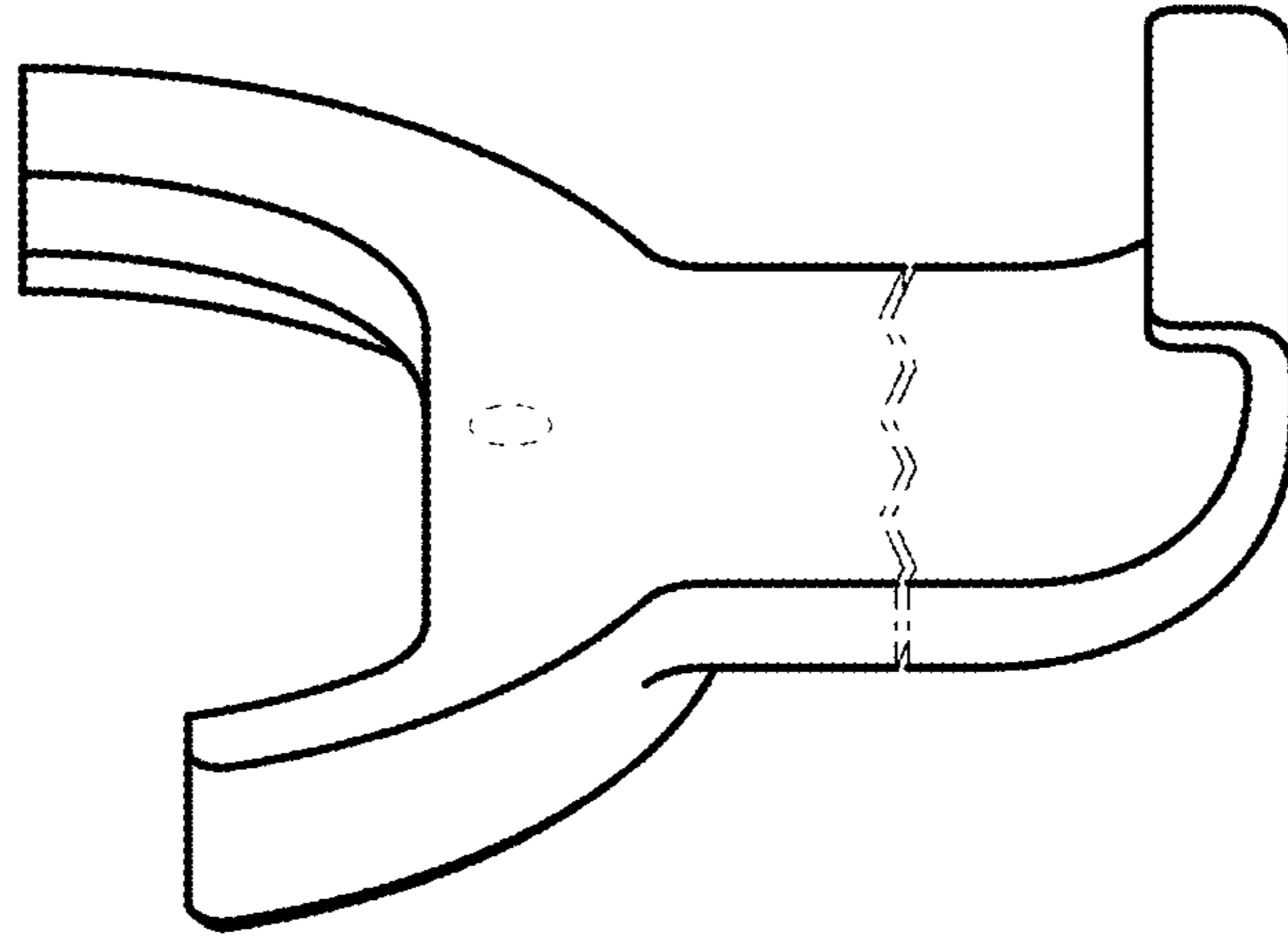


FIG. 2

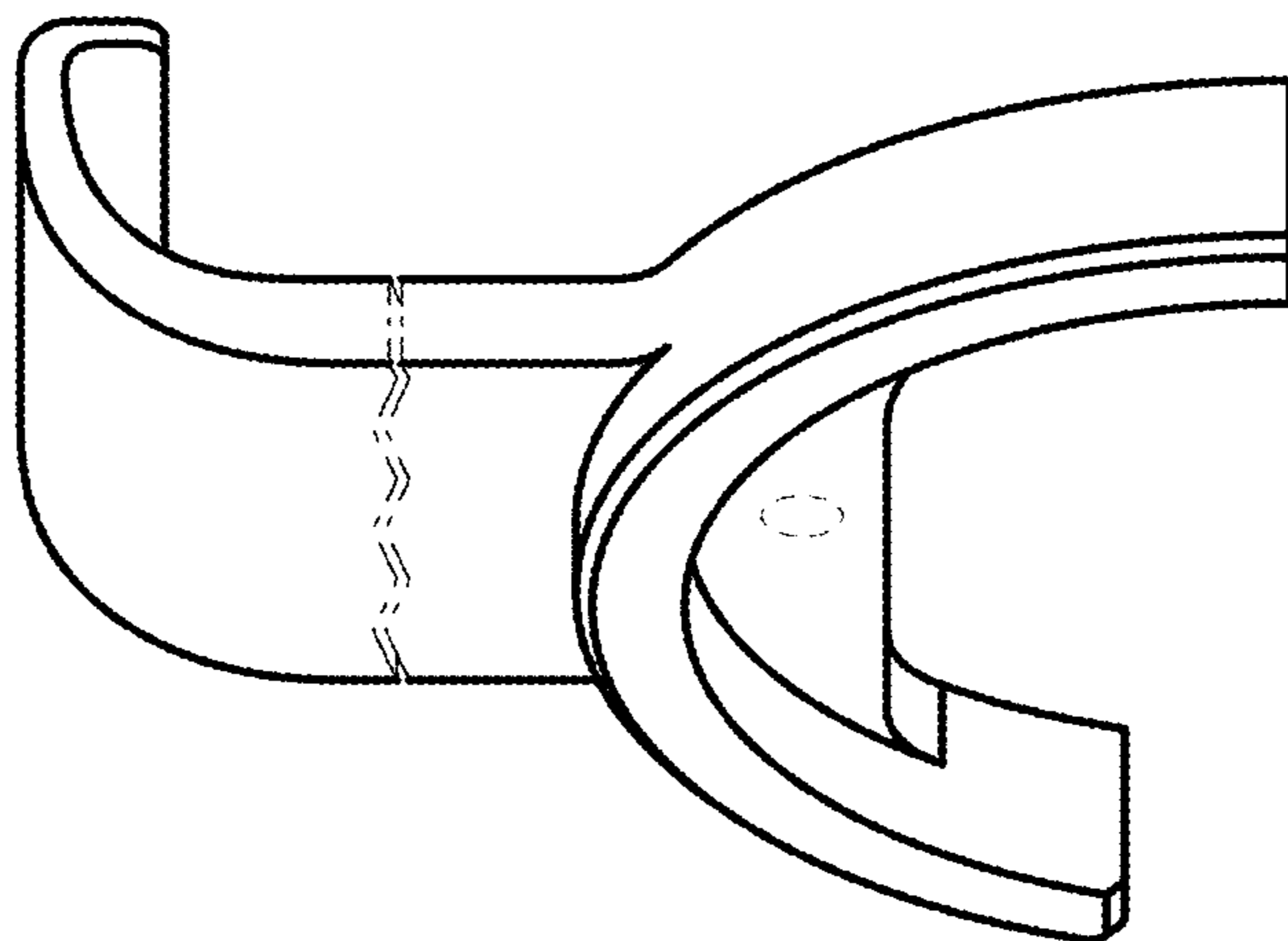
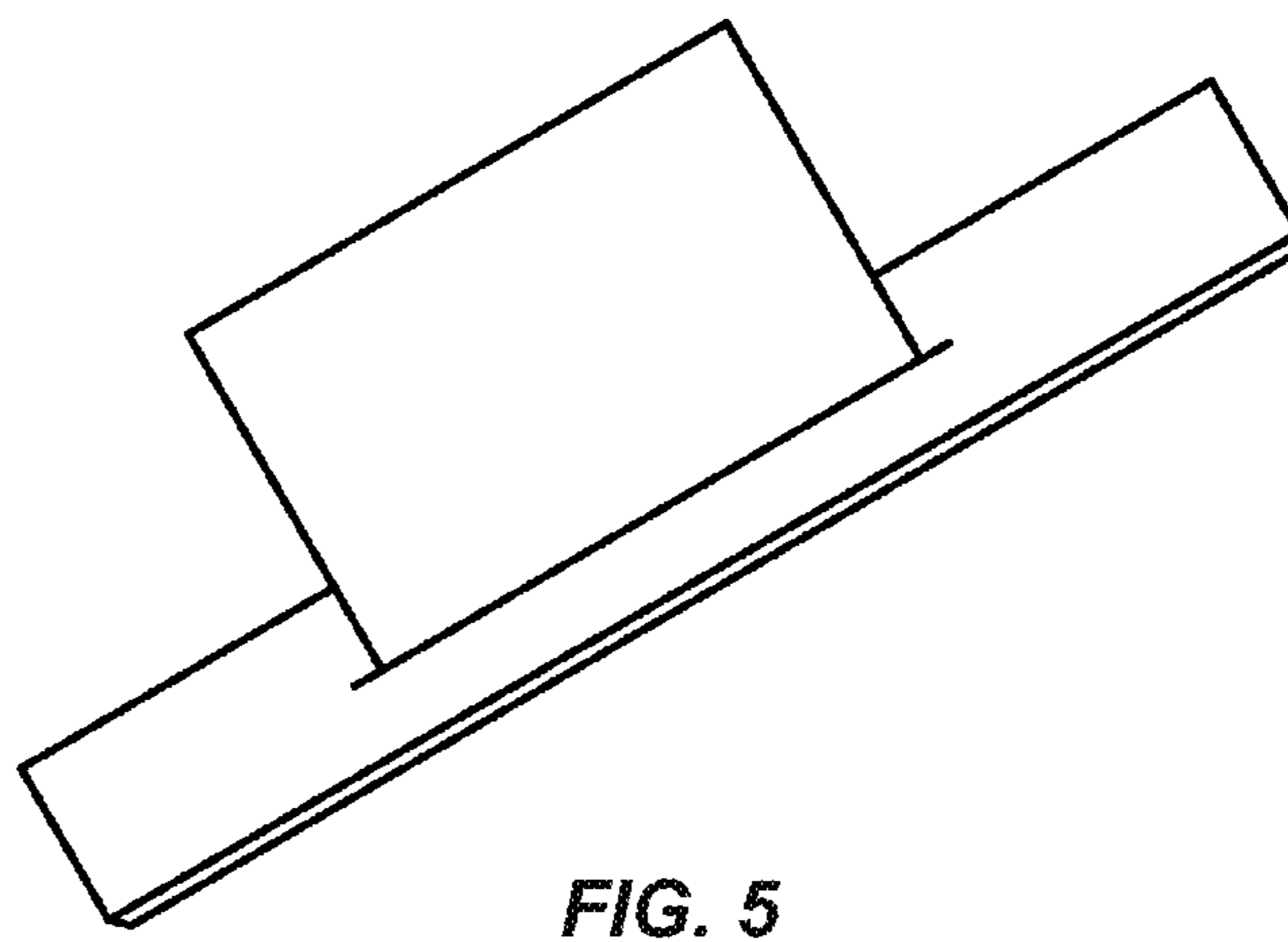
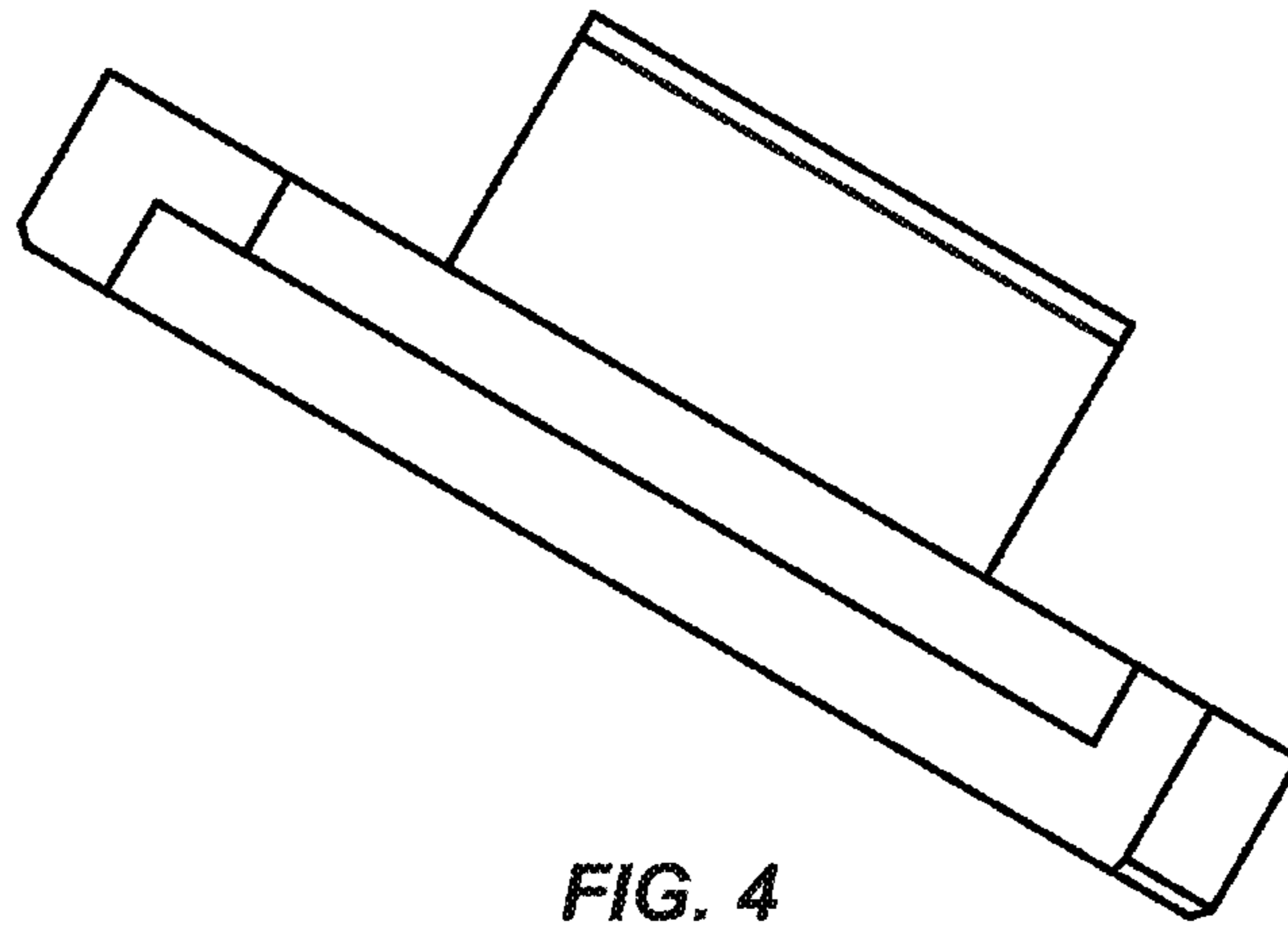


FIG. 3



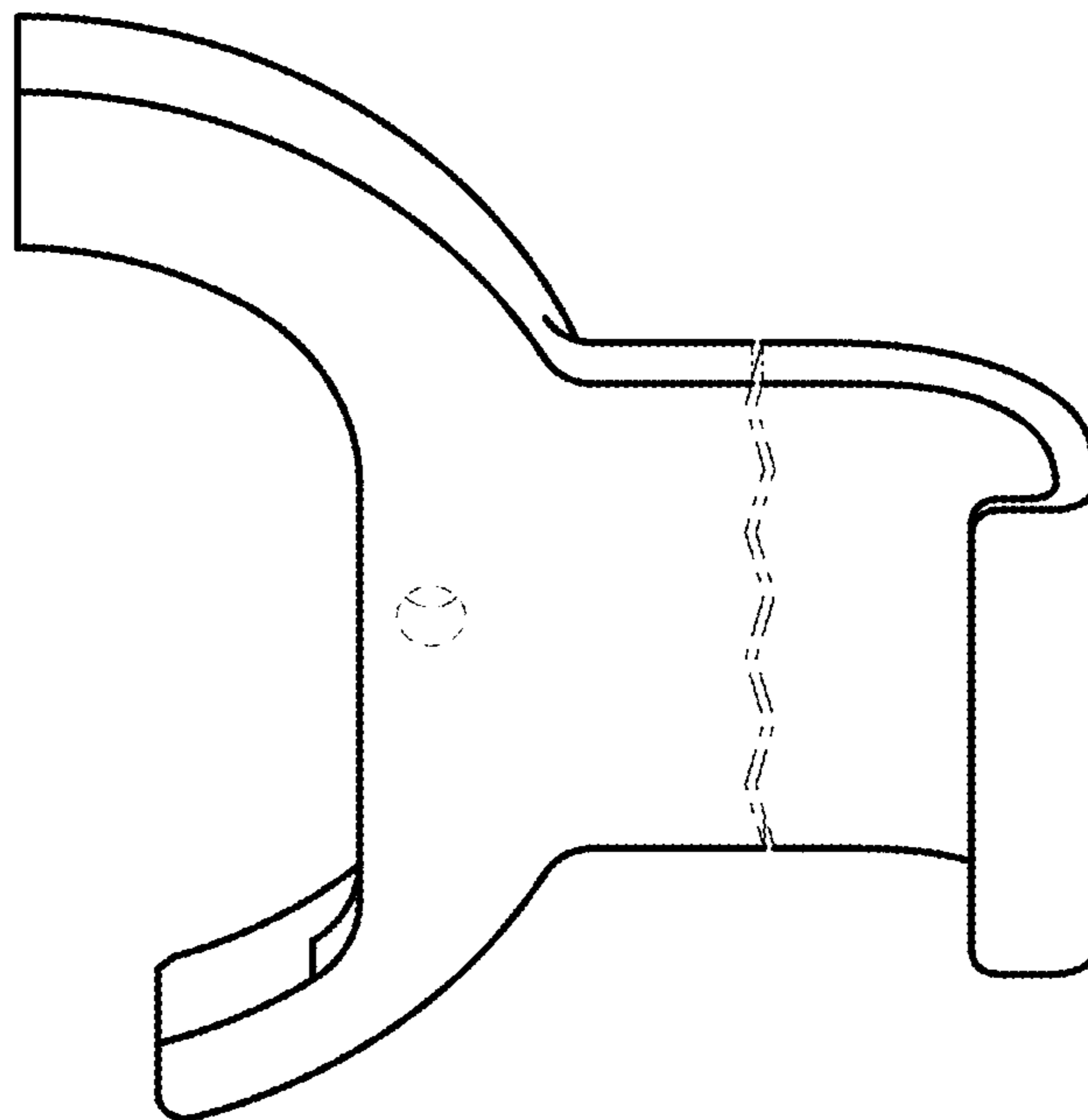


FIG. 6

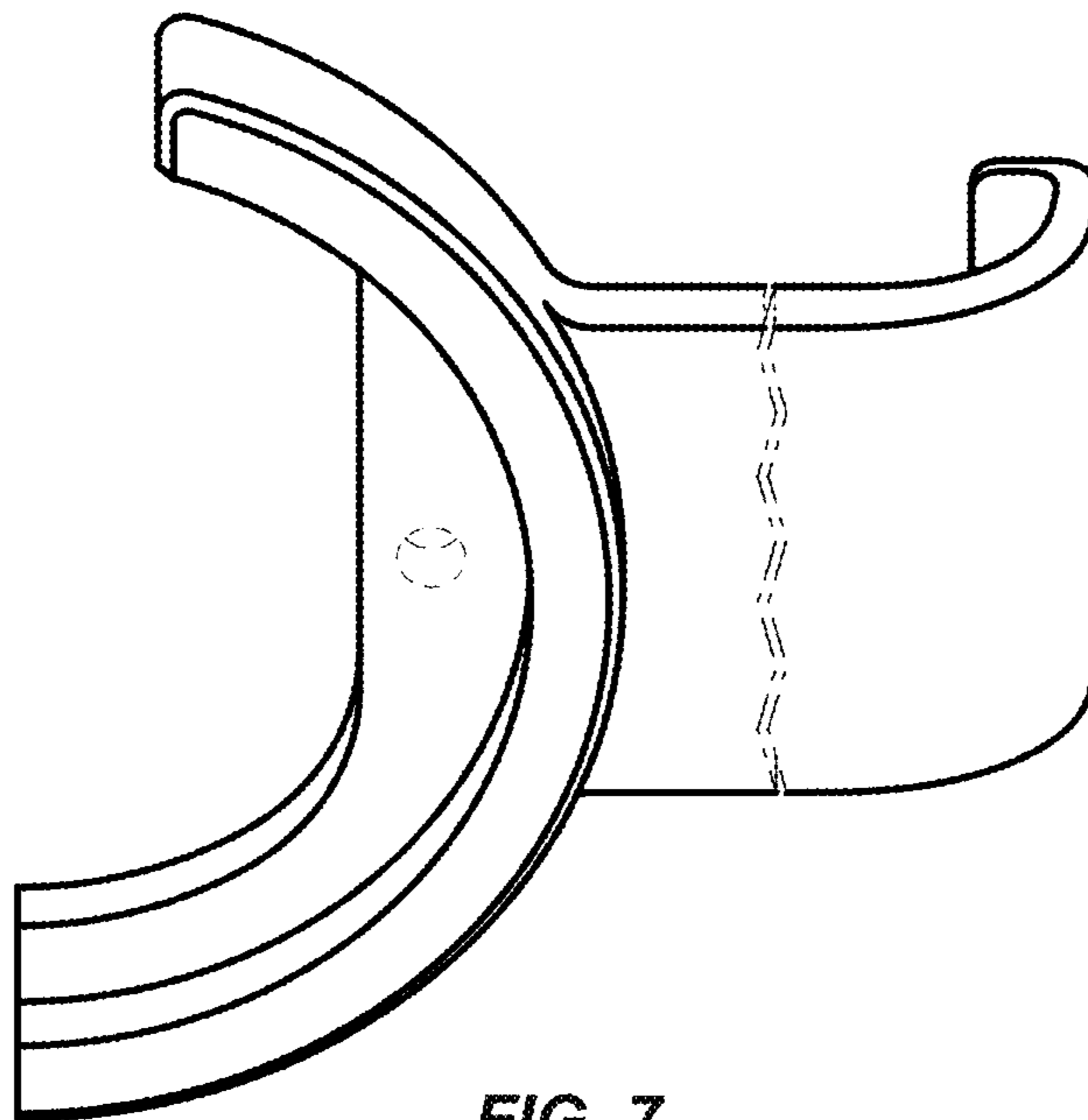


FIG. 7