

US00D791518S

(12) **United States Design Patent** (10) **Patent No.:** **US D791,518 S**  
**Basch** (45) **Date of Patent:** **\*\* Jul. 11, 2017**

(54) **MODULAR CLOSET SECTION**  
(71) Applicant: **Modular Closets Limited Liability Company**, Lakewood, NJ (US)  
(72) Inventor: **Mordechai Basch**, Lakewood, NJ (US)  
(73) Assignee: **Modular Closets Limited Liability Company**, Lakewood, NJ (US)  
(\*\*) Term: **15 Years**  
(21) Appl. No.: **29/534,420**

D614,888 S \* 5/2010 Sexton ..... D6/675.1  
D617,581 S \* 6/2010 Bauchet ..... D6/675.1  
7,900,783 B2 3/2011 Fernandez et al.  
7,938,279 B2 5/2011 Kaplan  
D655,948 S \* 3/2012 Dardashti ..... D6/675.1  
8,424,466 B2 4/2013 Botkin  
D715,077 S \* 10/2014 Everson ..... D6/675.1  
8,905,247 B2 12/2014 Artigues et al.  
9,138,052 B2 9/2015 Kagramanyan  
D741,629 S \* 10/2015 Meissner ..... D6/675.1  
D741,630 S \* 10/2015 Meissner ..... D6/675.1  
D744,773 S \* 12/2015 Yoon ..... D6/678  
9,282,816 B2 3/2016 Ahart  
D766,626 S \* 9/2016 Peden ..... D6/675.3  
2007/0284974 A1\* 12/2007 Buhrman ..... A47B 47/042  
312/108

(22) Filed: **Jul. 28, 2015**  
(51) **LOC (10) Cl.** ..... **06-06**  
(52) **U.S. Cl.**  
USPC ..... **D6/675**  
(58) **Field of Classification Search**  
USPC ..... D6/641, 672, 675, 675.1, 675.3  
CPC ... A47F 2003/066; A47F 5/0018; A47F 5/106  
See application file for complete search history.

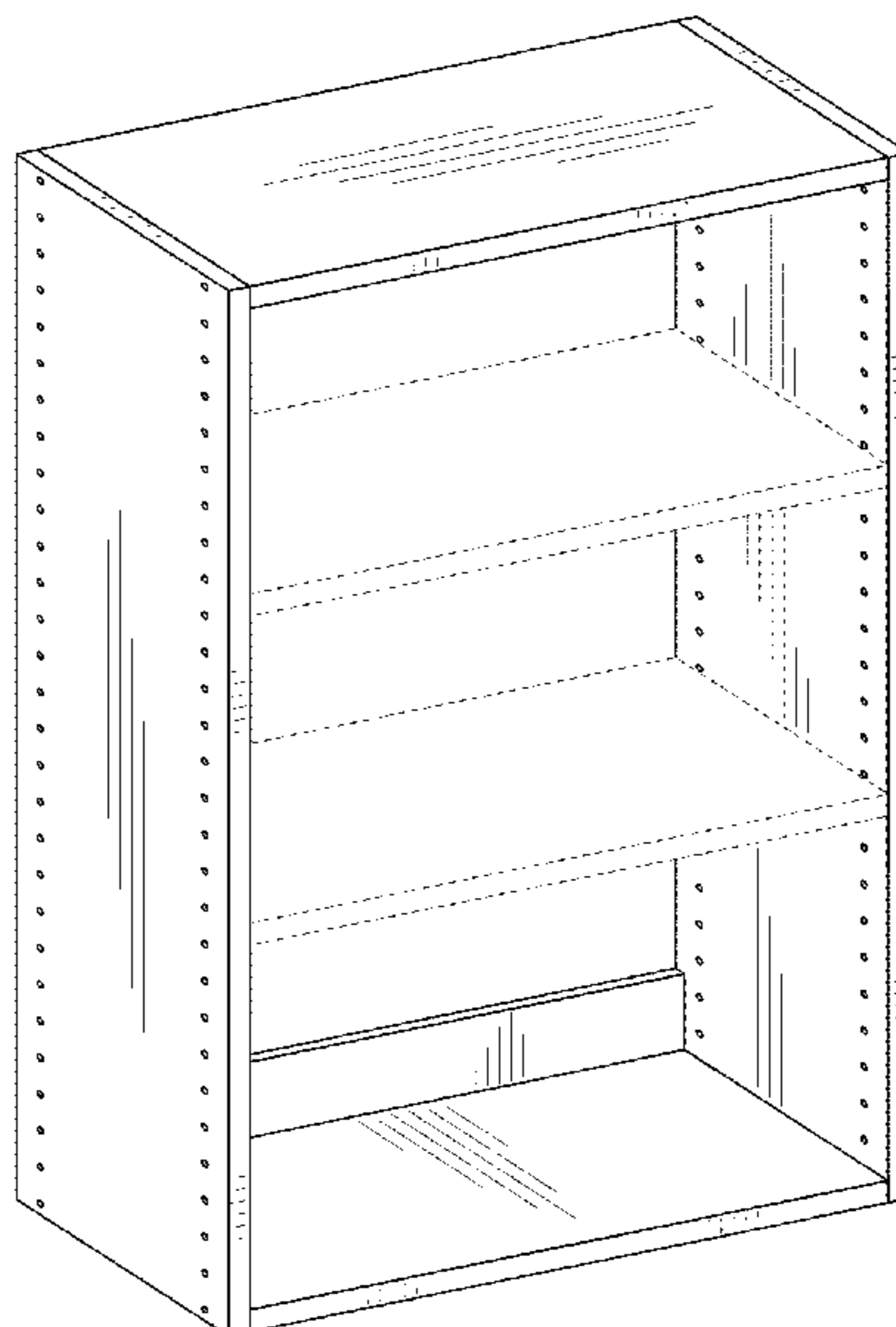
(Continued)  
*Primary Examiner* — Kelley Donnelly  
(74) *Attorney, Agent, or Firm* — Weiss & Arons LLP

(57) **CLAIM**  
The ornamental design for a modular closet section, as shown and described.

(56) **References Cited**  
U.S. PATENT DOCUMENTS  
3,195,968 A \* 7/1965 Freeman ..... A47B 47/042  
217/65  
4,186,666 A 2/1980 Honickman  
4,209,099 A 6/1980 Wickes  
D286,719 S \* 11/1986 Ferdinand ..... D6/703.4  
4,928,833 A 5/1990 Huizenga  
D313,134 S \* 12/1990 Pollack ..... D6/675.1  
D347,131 S \* 5/1994 Wolff ..... D6/675.1  
5,337,905 A 8/1994 Gast  
D361,680 S \* 8/1995 Palsson ..... D6/675.4  
5,582,306 A 12/1996 Balter et al.  
5,601,016 A 2/1997 Witte  
D450,488 S \* 11/2001 Stone ..... D6/675.1  
D456,641 S \* 5/2002 Carrabba ..... D6/675.1  
D496,544 S \* 9/2004 Bosman ..... D6/675.1  
D592,891 S \* 5/2009 Alfonso ..... D6/675.1

**DESCRIPTION**  
FIG. 1 is a top, front, left perspective view of a modular closet section showing my new design;  
FIG. 2 is a front view thereof;  
FIG. 3 is a rear view thereof;  
FIG. 4 is a right side view thereof;  
FIG. 5 is a left side view thereof;  
FIG. 6 is a top view thereof;  
FIG. 7 is a bottom view thereof;  
FIG. 8 is bottom, front, left perspective view thereof;  
FIG. 9 is a top, back, right perspective view thereof; and  
FIG. 10 is a bottom, back, right perspective view thereof.  
The broken line showing of the environment is for illustrative purposes only and forms no part of the claimed design.

**1 Claim, 8 Drawing Sheets**



(56)

**References Cited**

U.S. PATENT DOCUMENTS

2010/0224581 A1 9/2010 Hsien  
2016/0192775 A1\* 7/2016 Andersson ..... A47B 47/042  
312/108

\* cited by examiner

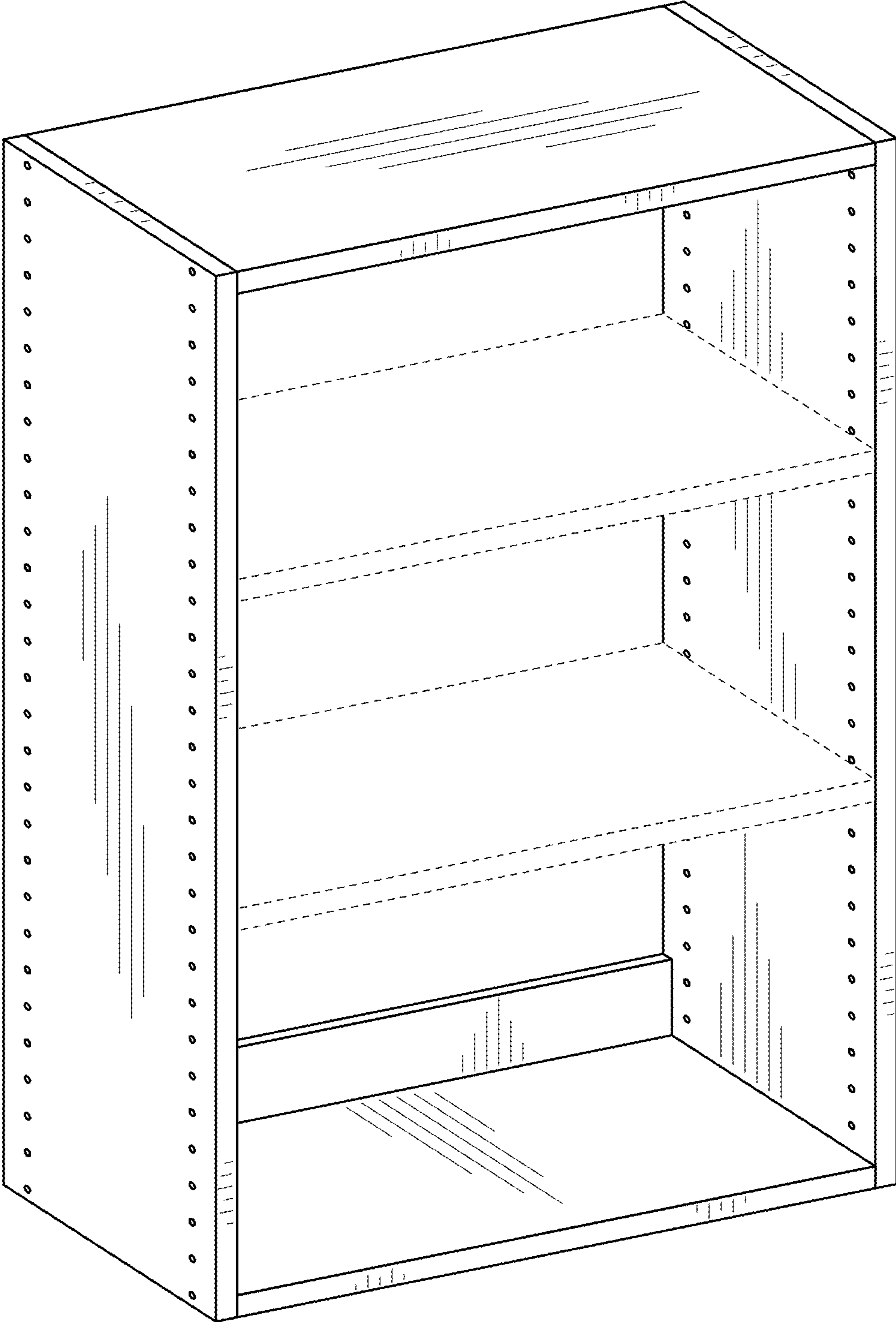


FIG. 1

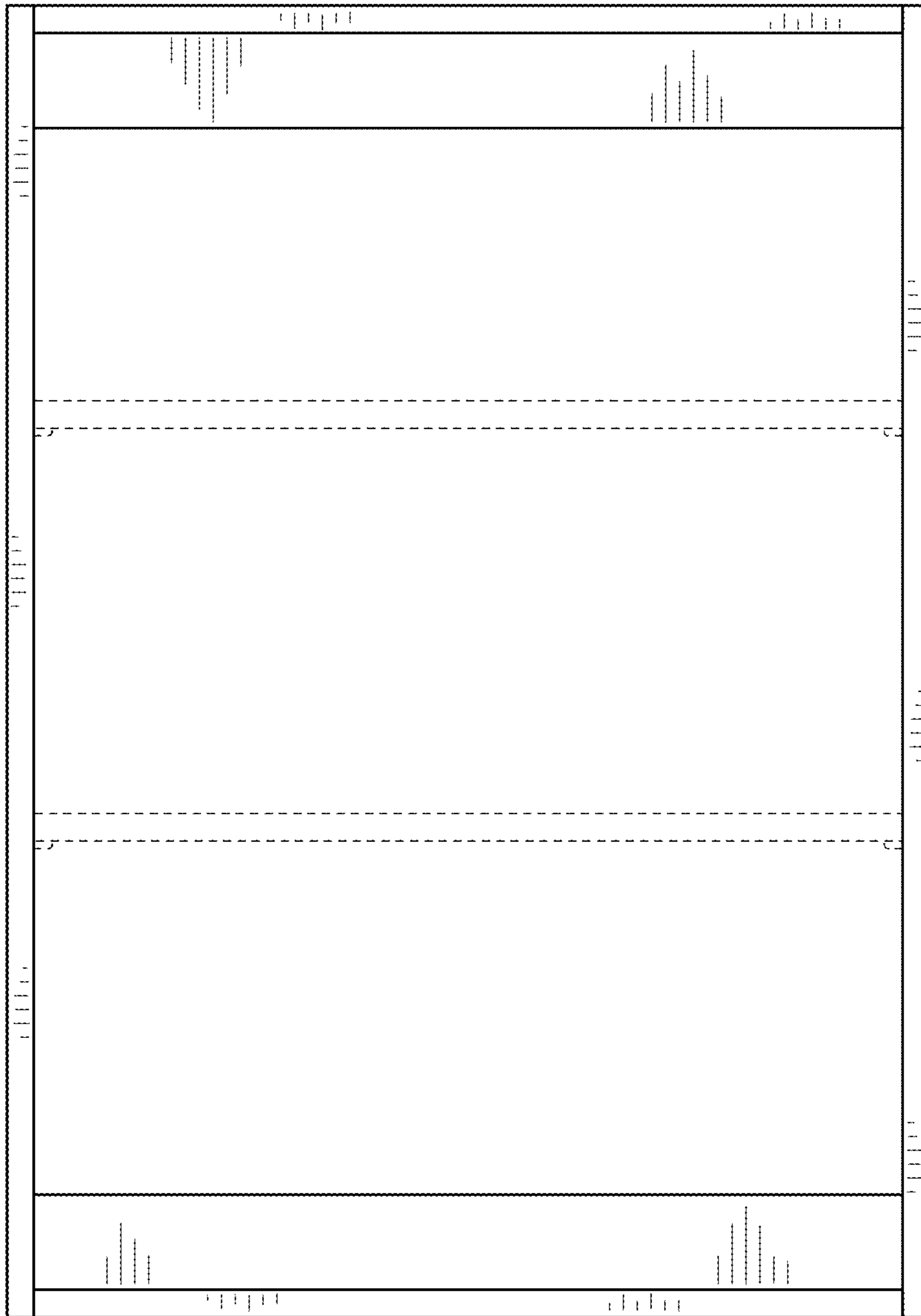


FIG. 2

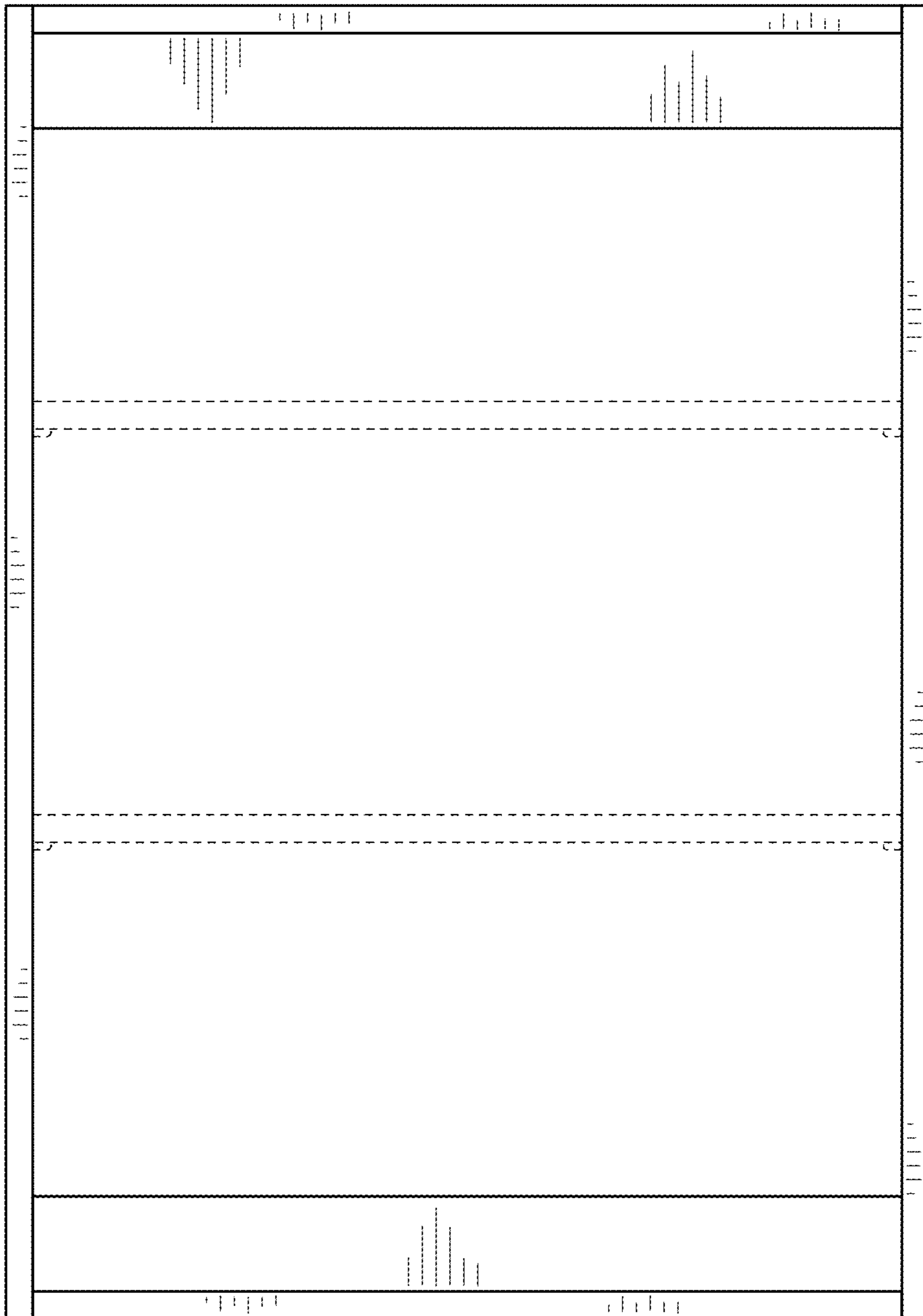


FIG. 3

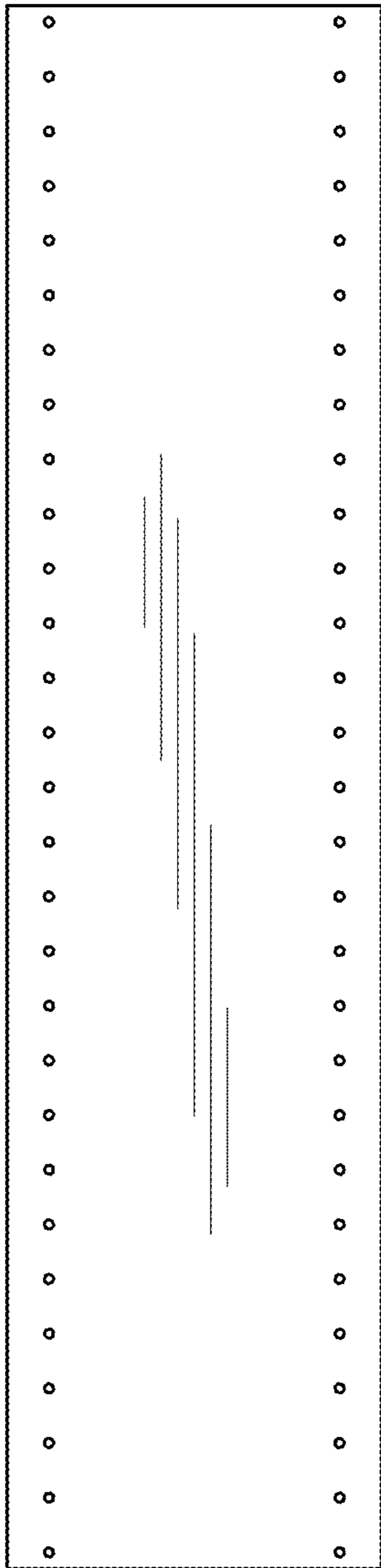


FIG. 4

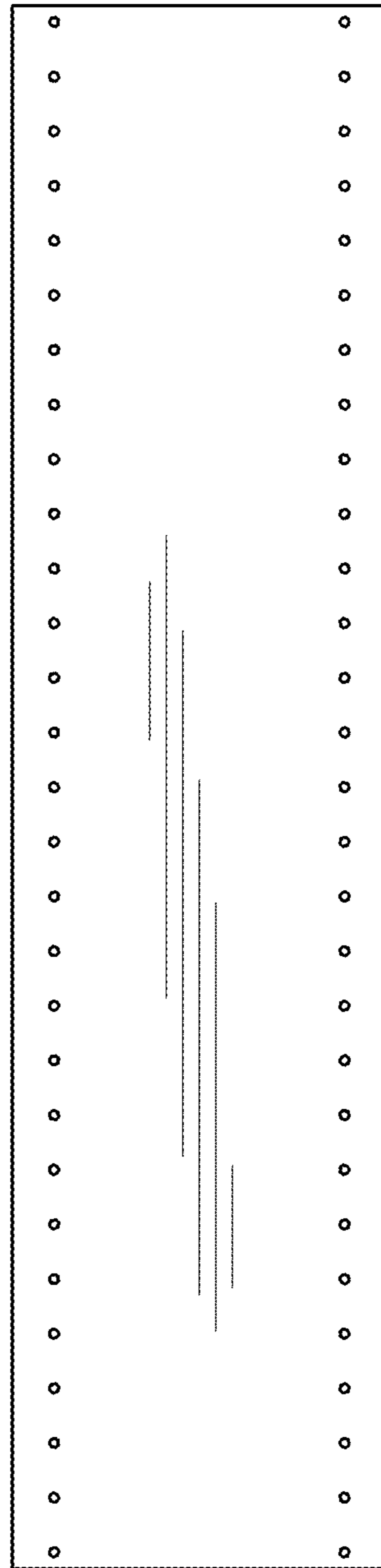


FIG. 5

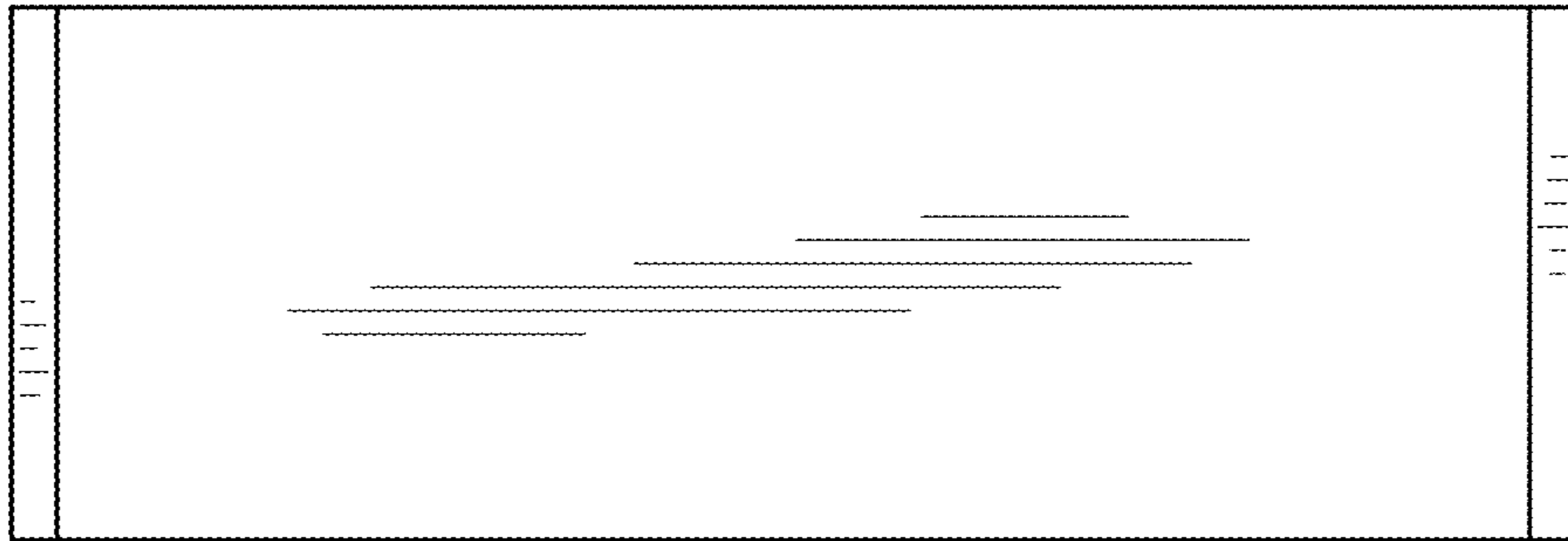


FIG. 6

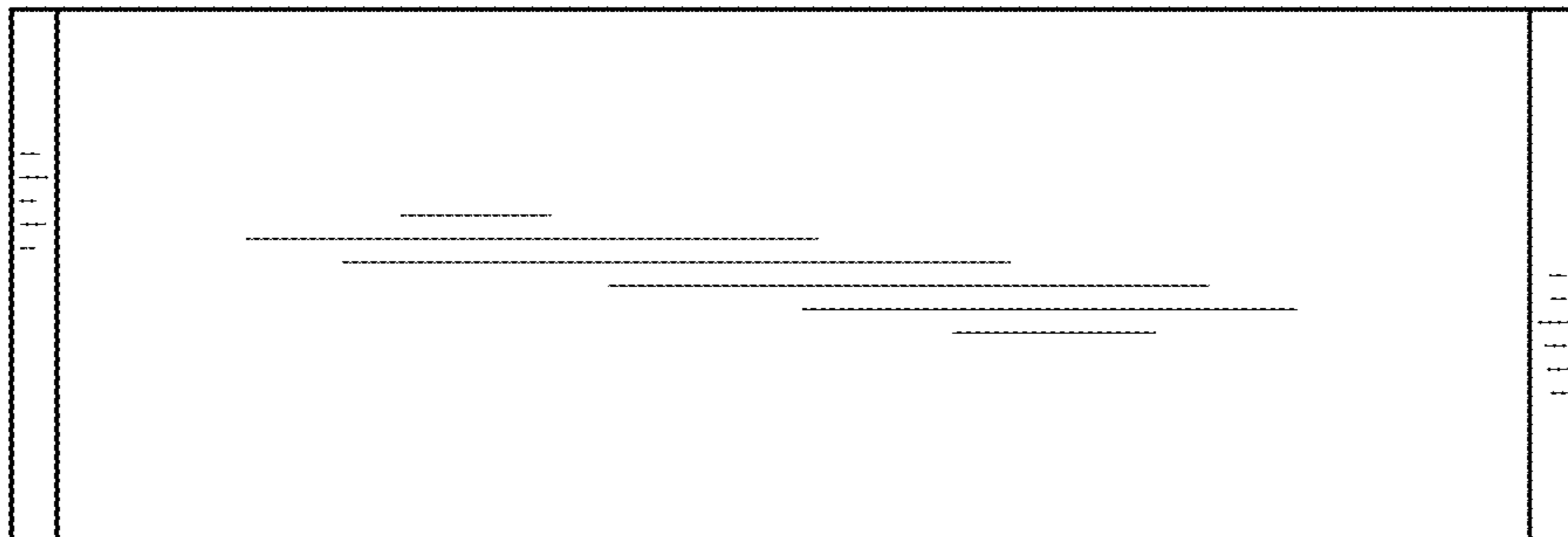


FIG. 7

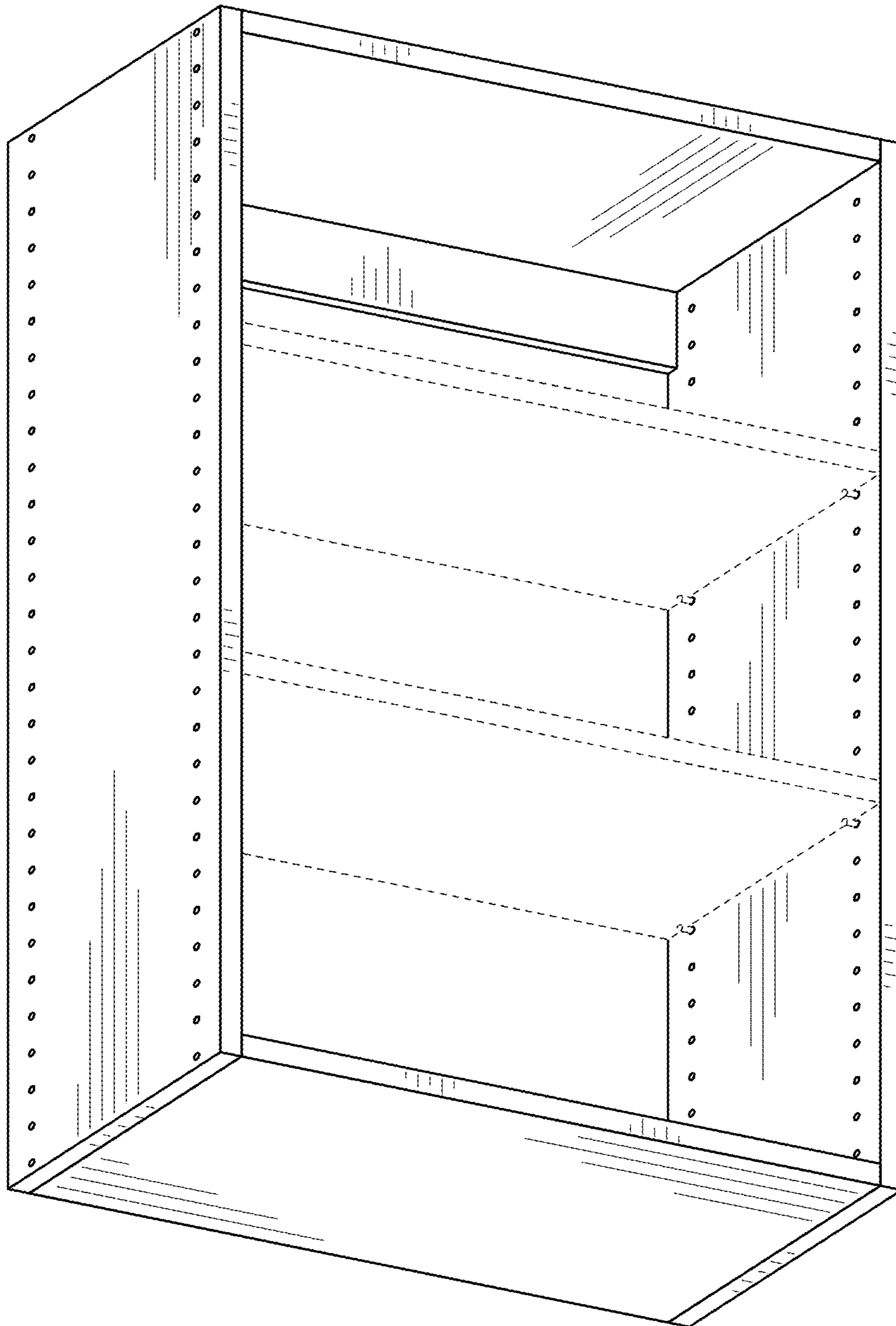


FIG. 8



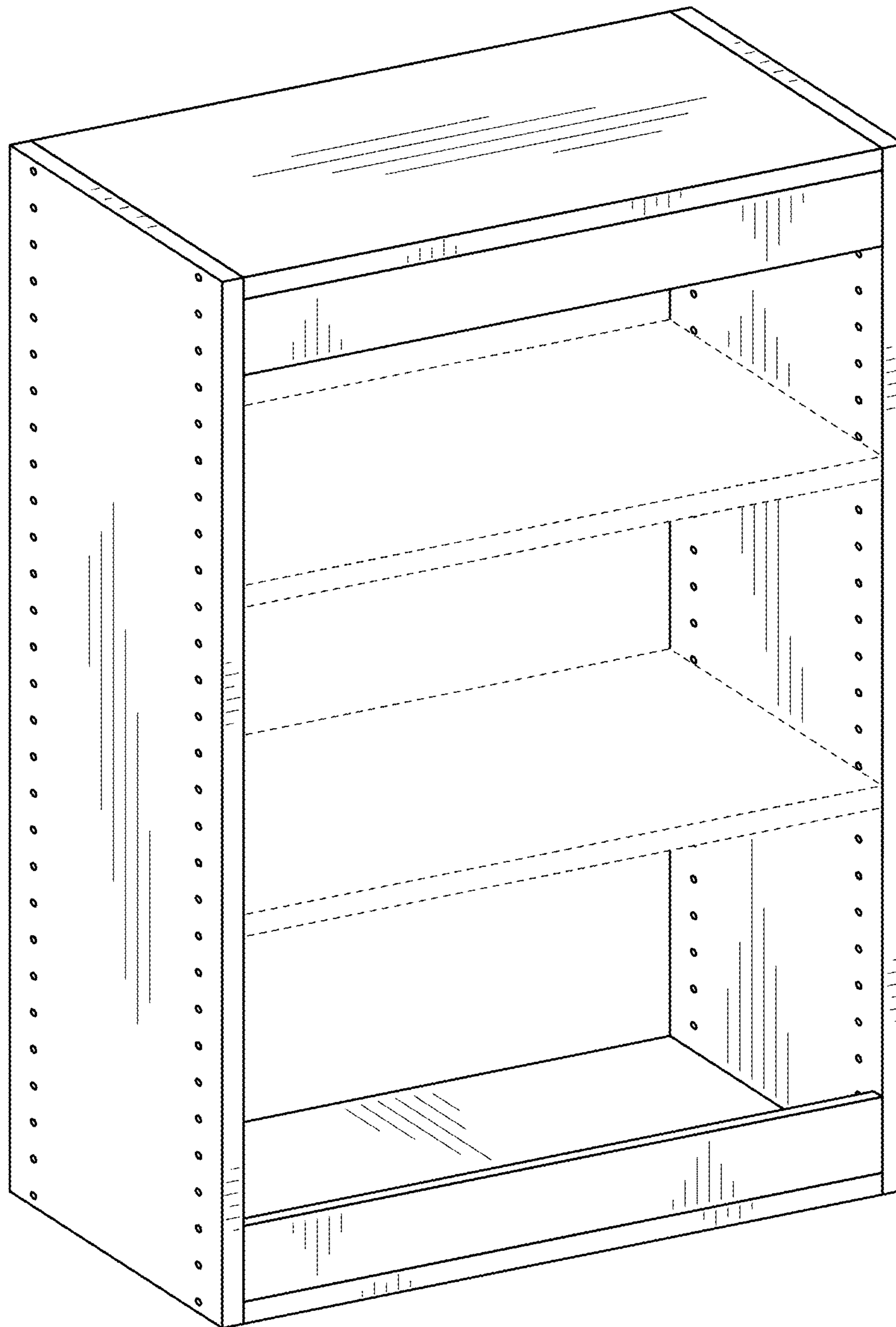


FIG. 9

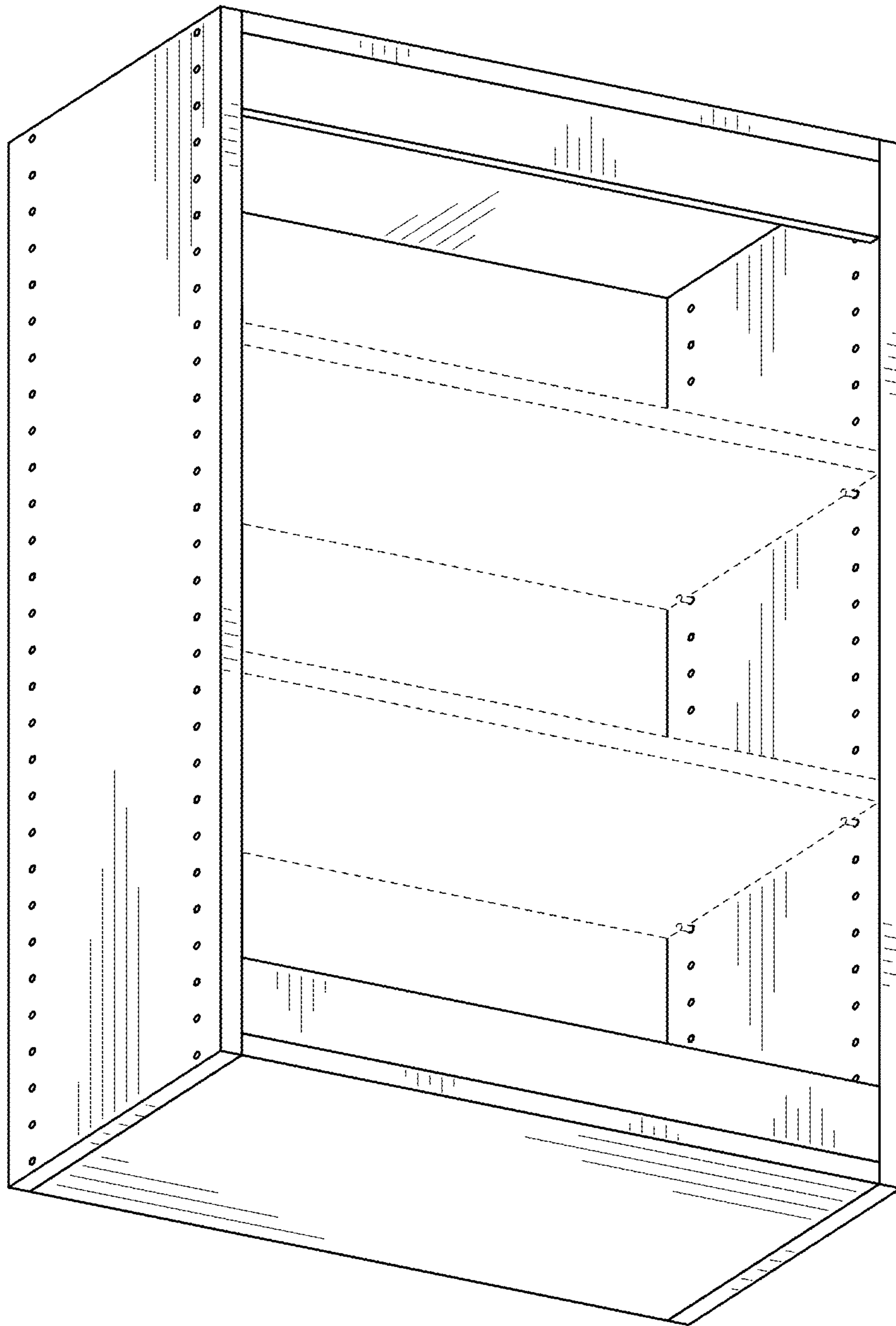


FIG. 10