



US00D791517S

(12) **United States Design Patent** (10) **Patent No.:** **US D791,517 S**  
**Feinstein et al.** (45) **Date of Patent:** **\*\* Jul. 11, 2017**

(54) **MODULAR BLOCK**  
(71) Applicant: **Eureka Exhibits LLC**, Greer, SC (US)  
(72) Inventors: **Keith Feinstein**, Stirling, NJ (US);  
**Mark Kirby**, Greer, SC (US)  
(73) Assignee: **Eureka Exhibits LLC**, Greer, SC (US)  
(\*\*) Term: **15 Years**  
(21) Appl. No.: **29/537,105**  
(22) Filed: **Aug. 21, 2015**

4,926,294 A \* 5/1990 Beaulieu ..... A47F 11/10  
248/240.4  
D331,077 S \* 11/1992 Foster ..... D20/10  
D359,988 S \* 7/1995 Lechleiter ..... D20/10  
D360,230 S \* 7/1995 Lechleiter ..... D20/10  
D373,641 S \* 9/1996 Lee ..... D20/10  
D435,597 S \* 12/2000 Febish ..... D20/10  
D453,224 S \* 1/2002 Sender ..... D25/16  
D476,507 S \* 7/2003 Holmes ..... D25/16  
D562,588 S \* 2/2008 Bays ..... D6/672  
D584,076 S \* 1/2009 Stengel ..... D6/672  
D603,180 S \* 11/2009 Urdarevik ..... D19/62  
D641,569 S \* 7/2011 Feldman ..... D6/672  
D657,589 S \* 4/2012 Watson ..... D6/678.4

(Continued)

**Related U.S. Application Data**

(63) Continuation of application No. 14/578,462, filed on Dec. 21, 2014, now Pat. No. 9,198,306.  
(51) **LOC (10) Cl.** ..... **06-04**  
(52) **U.S. Cl.**  
USPC ..... **D6/672**  
(58) **Field of Classification Search**  
USPC ..... D6/332, 657, 672, 682; D19/62;  
D20/10, 19, 20, 29, 39, 41, 42; D25/32,  
D25/113; 40/1, 124, 584, 585, 605, 608,  
40/618, 624; 160/135, 351; 211/135;  
463/25  
CPC .. H05K 5/0017; H05K 5/0204; H05K 5/0247;  
A47B 81/06; A47B 47/0091; A47F 3/004;  
A47F 3/06; A47F 10/02  
See application file for complete search history.

(56) **References Cited**

**U.S. PATENT DOCUMENTS**

D115,561 S \* 7/1939 Lee ..... D20/10  
D147,823 S \* 11/1947 Taylor ..... 40/584  
3,755,944 A \* 9/1973 Kaulfuss ..... G09F 13/04  
362/812  
4,030,219 A \* 6/1977 Donovan ..... G09F 19/18  
160/135

**OTHER PUBLICATIONS**

<http://spacecenter.org/wp-content/uploads/2015/07/BeTheAstro1.jpg> Available Jul. 2015.\*

*Primary Examiner* — Susan Bennett Hattan  
*Assistant Examiner* — Leanne Was-Englehart

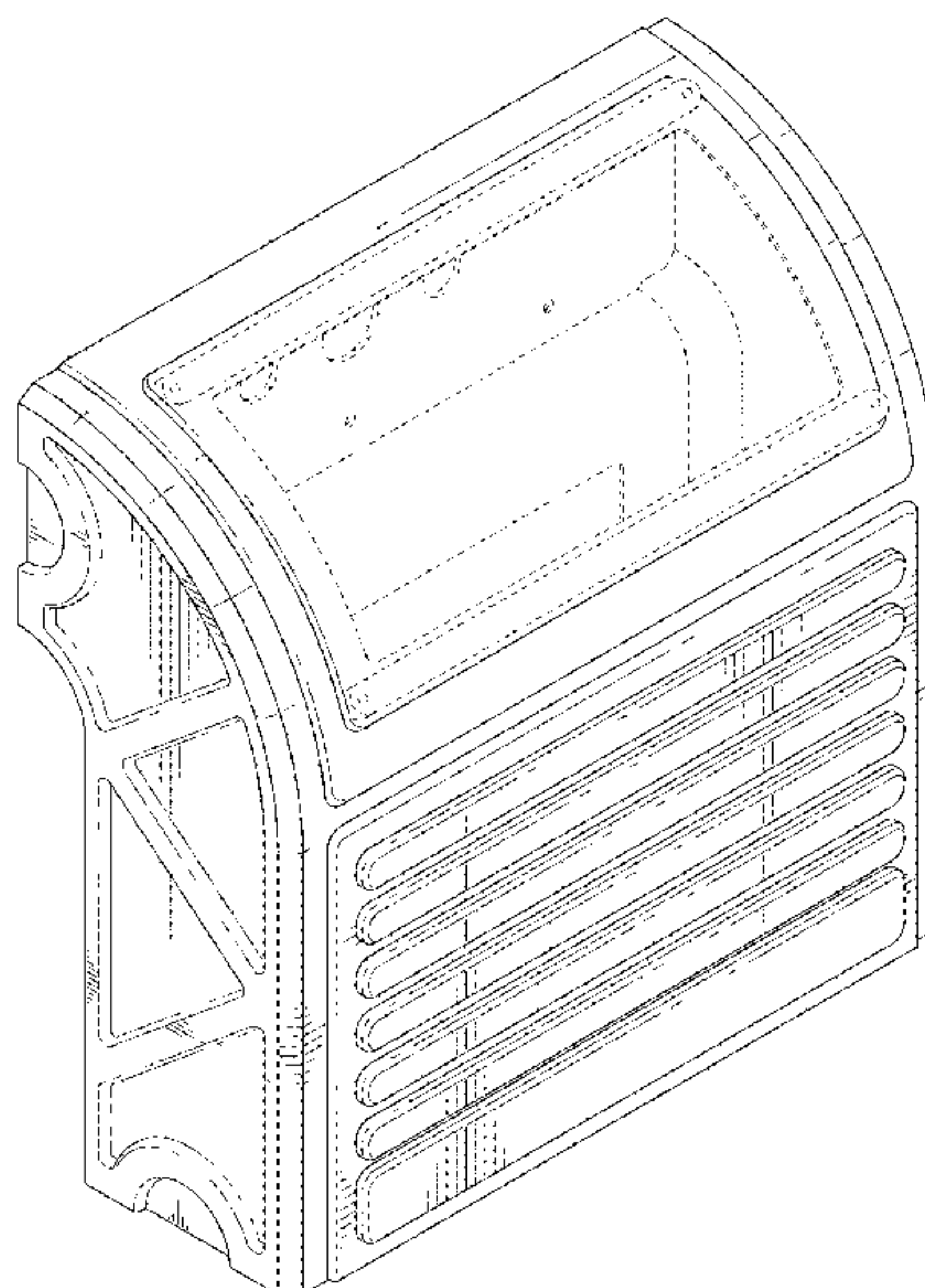
(57) **CLAIM**

The ornamental design for modular block, as shown and described.

**DESCRIPTION**

FIG. 1. Is a first perspective view of a modular block showing the new design;  
FIG. 2 is a front elevation view thereof;  
FIG. 3 is a back elevation view thereof;  
FIG. 4 is a left side elevation view thereof;  
FIG. 5 is a right side elevation view thereof;  
FIG. 6 is a top plan view thereof; and,  
FIG. 7 is a bottom plan view thereof.  
The long broken lines in FIGS. 1-7 depict shading and form no part of the claimed invention. The small broken lines in FIGS. 1-7 illustrate portions of the modular block that form no part of the claimed design.

**1 Claim, 5 Drawing Sheets**



(56)

**References Cited**

U.S. PATENT DOCUMENTS

8,348,757 B2 \* 1/2013 Kim ..... G07F 17/3209  
463/16  
D720,557 S \* 1/2015 Lehmann ..... D6/657  
D741,626 S \* 10/2015 Tapias ..... D6/672  
9,198,306 B1 \* 11/2015 Feinstein ..... A47F 3/00  
D758,105 S \* 6/2016 Taraczky ..... D6/672  
D763,466 S \* 8/2016 Alonso ..... D25/113  
2004/0209675 A1 \* 10/2004 Yaegashi ..... G07F 1/02  
463/25  
2005/0204598 A1 \* 9/2005 Labeledz ..... G09F 7/02  
40/585  
2010/0056258 A1 \* 3/2010 Hara ..... G07F 17/3297  
463/25

\* cited by examiner

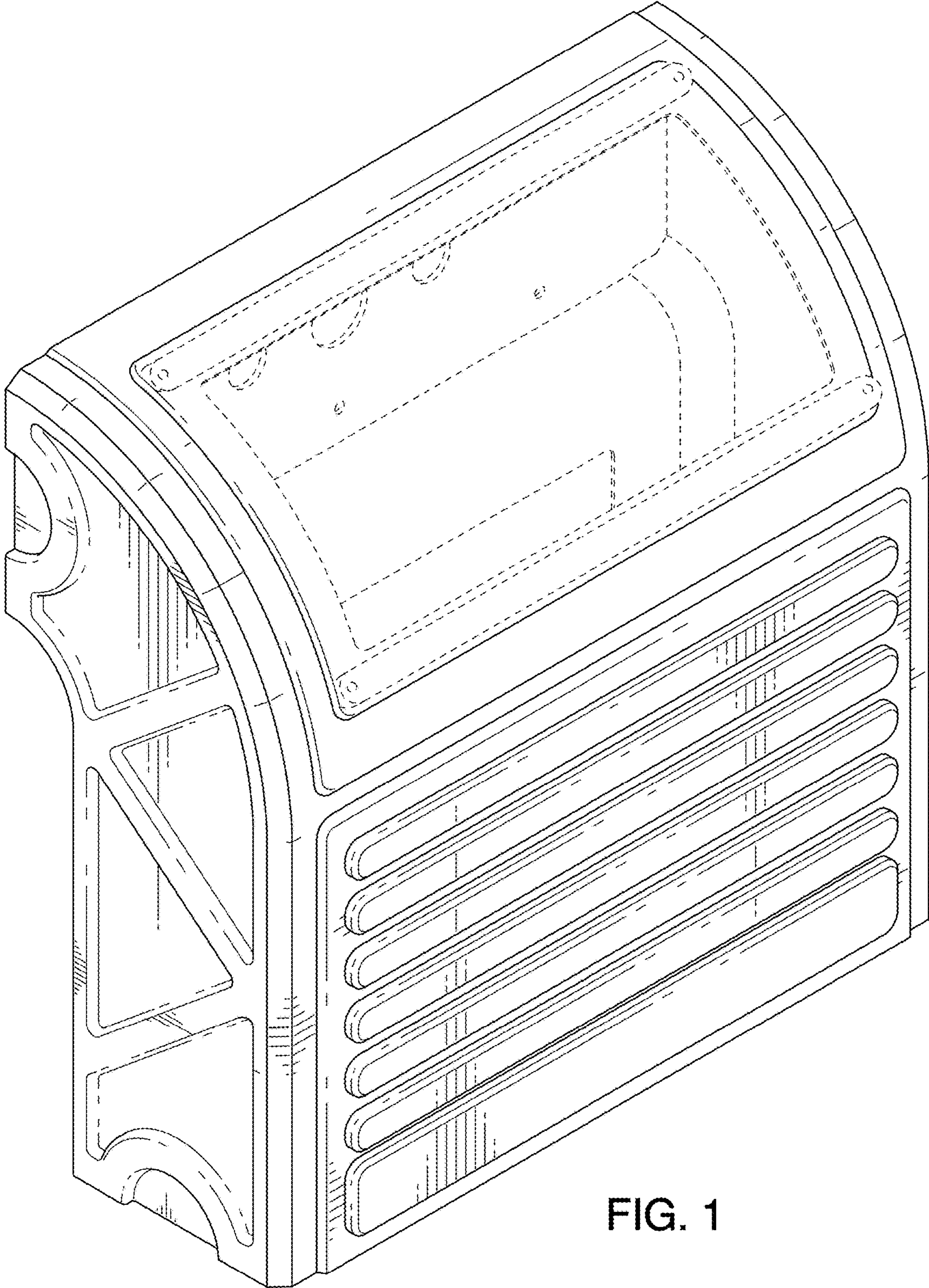


FIG. 1



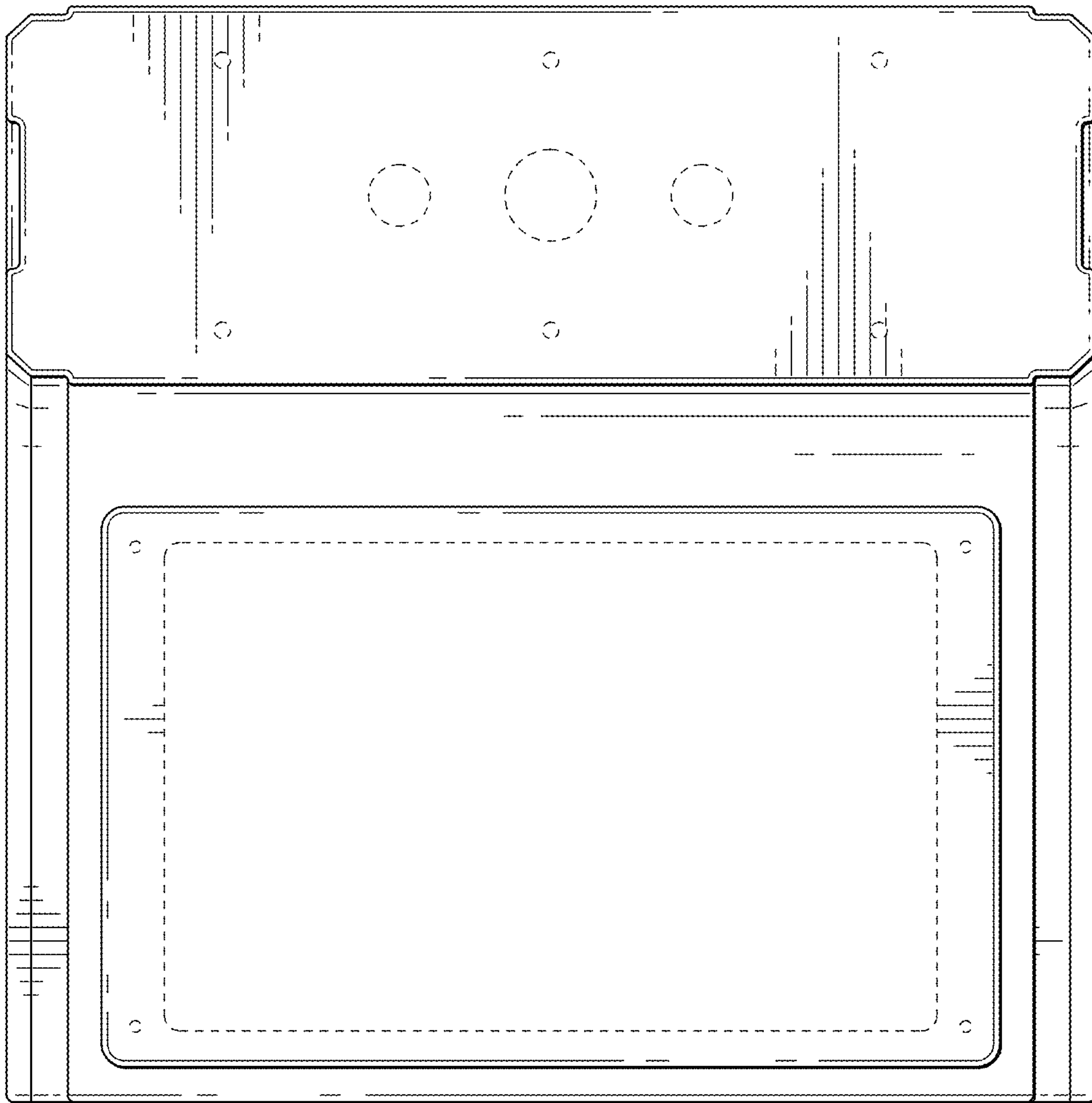


FIG. 2

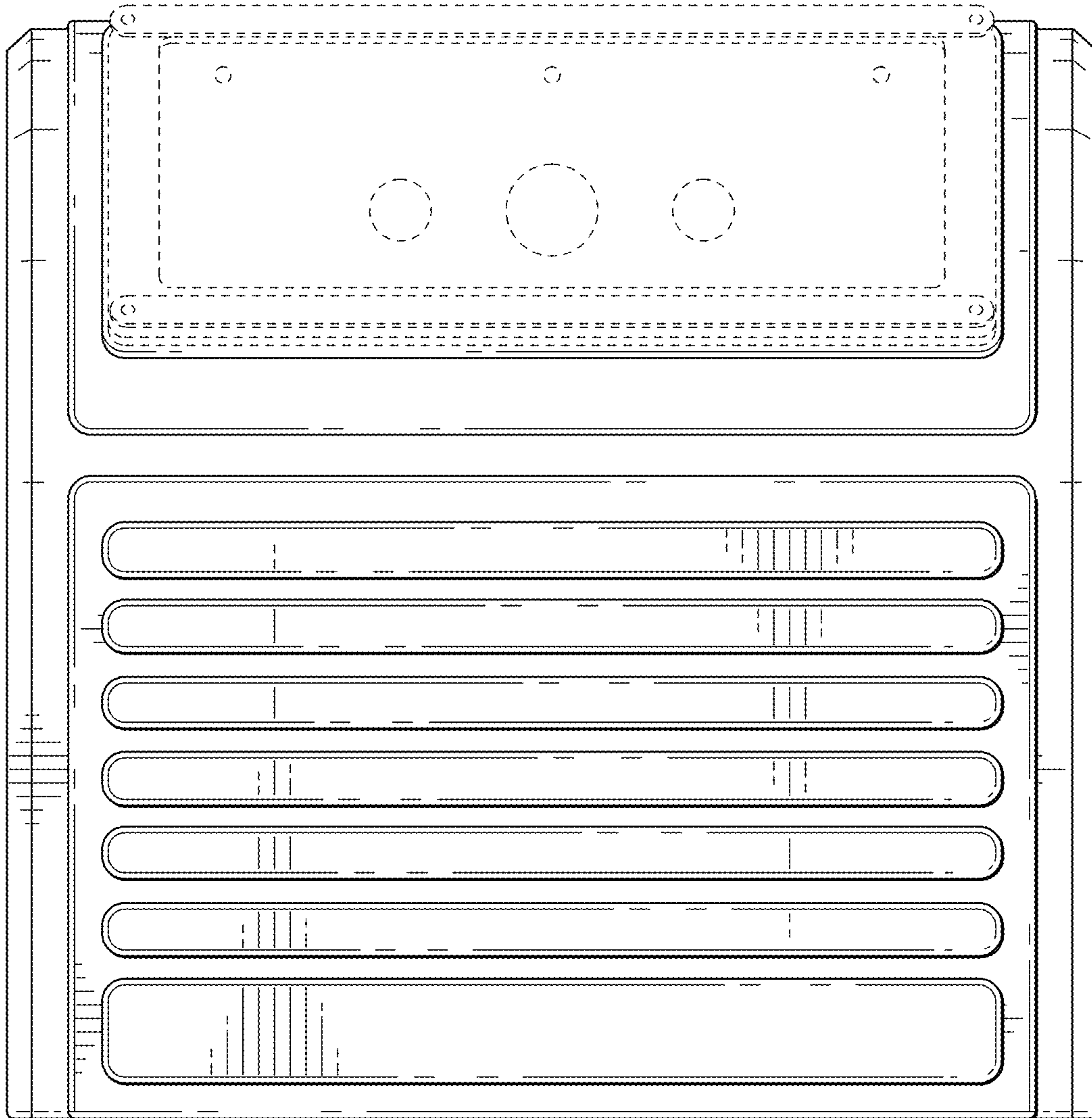


FIG. 3

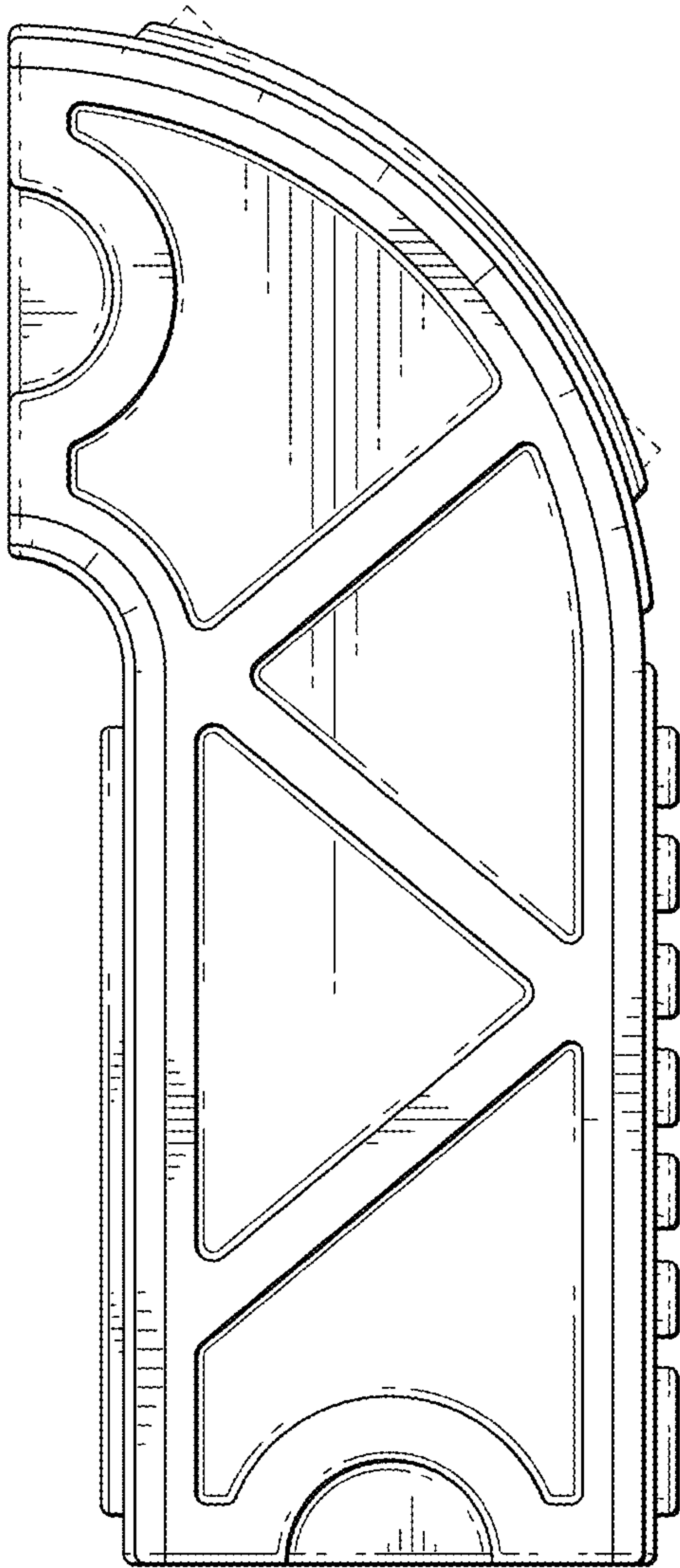


FIG. 4

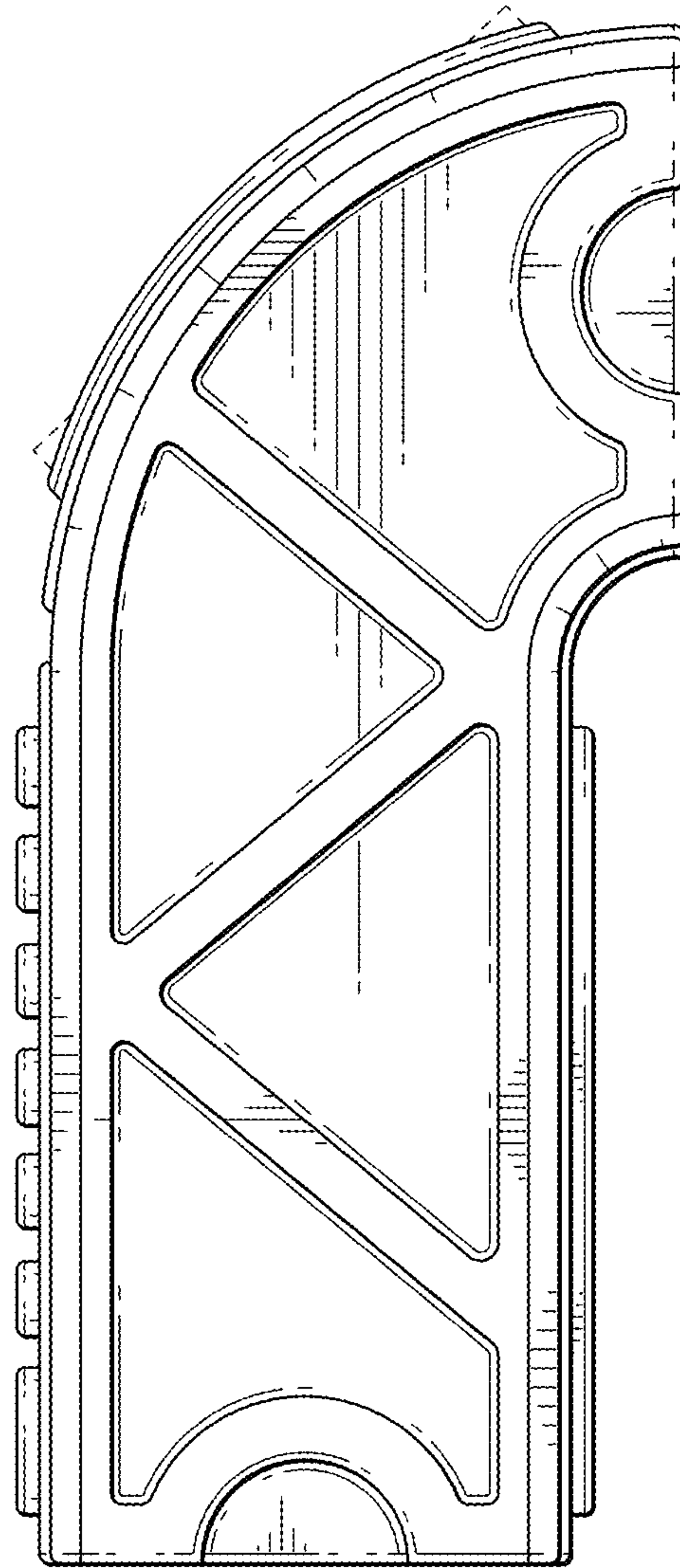


FIG. 5

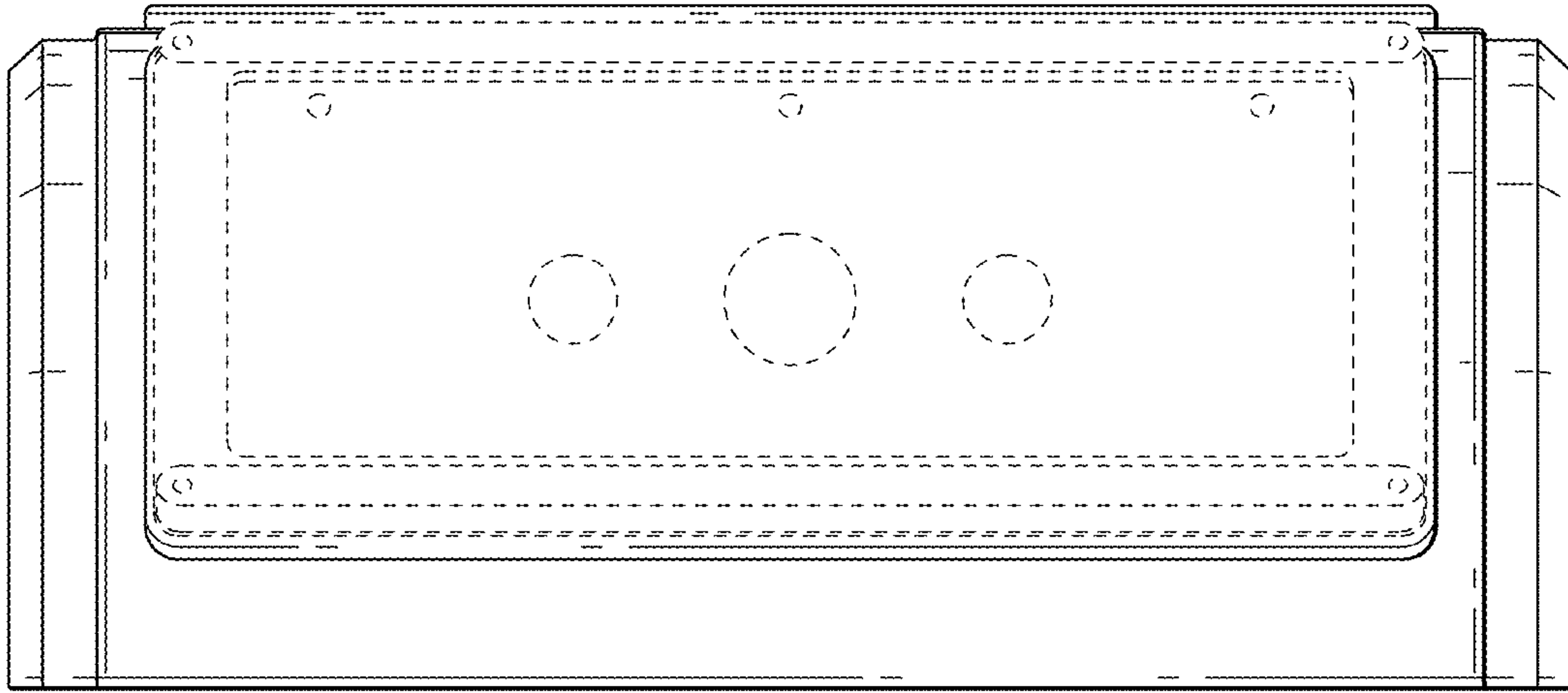


FIG. 6

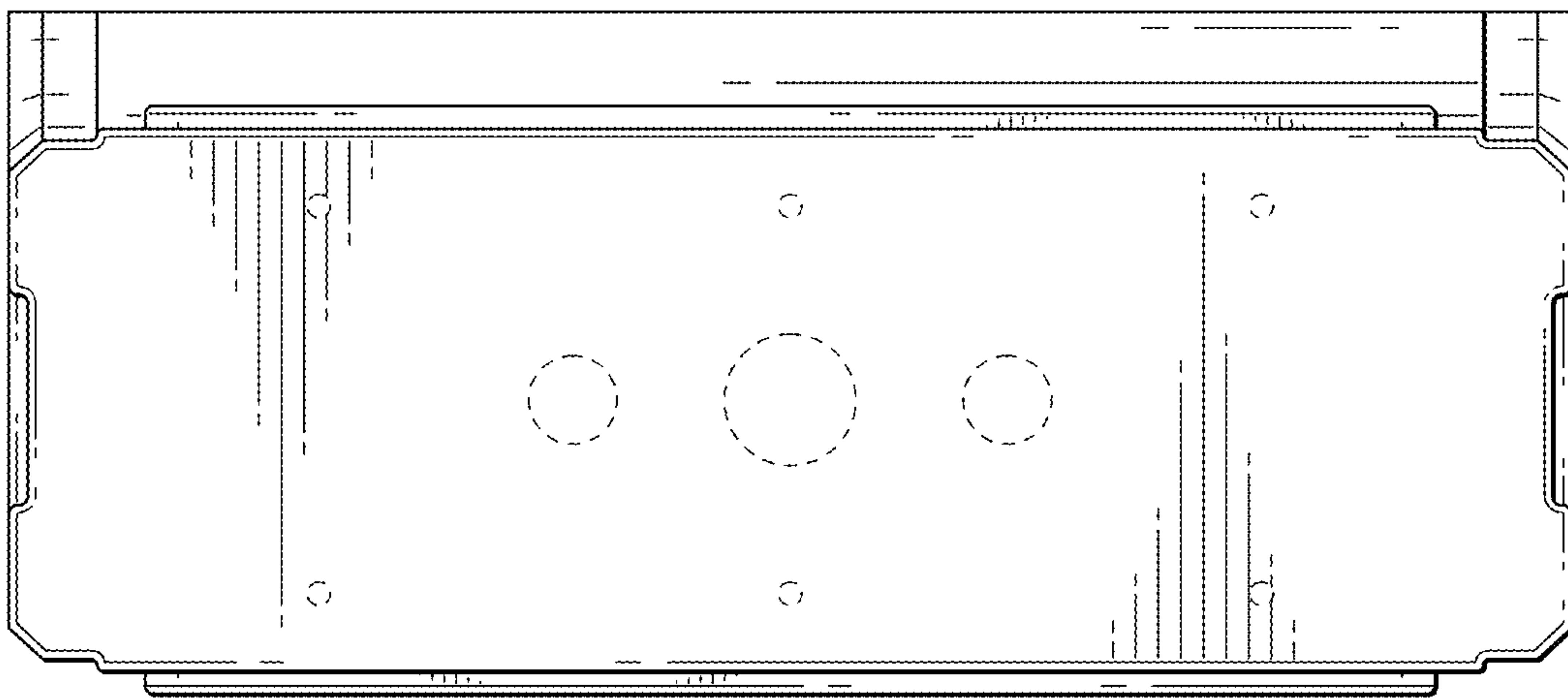


FIG. 7