



US00D791499S

(12) **United States Design Patent**
Hales et al.

(10) **Patent No.:** **US D791,499 S**

(45) **Date of Patent:** **** Jul. 11, 2017**

(54) **REUSABLE SOAP PACKAGE**

(71) Applicant: **Dirtybird Energy, LLC**, Redwood City, CA (US)

(72) Inventors: **Robert Hales**, Redwood City, CA (US);
Bryan Hyncek, Redwood City, CA (US)

(73) Assignee: **DIRTYBIRD ENERGY, LLC**, Redwood City, CA (US)

(**) Term: **15 Years**

(21) Appl. No.: **29/565,440**

(22) Filed: **May 20, 2016**

(51) **LOC (10) Cl.** **23-02**

(52) **U.S. Cl.**
USPC **D6/536**

(58) **Field of Classification Search**
USPC D6/536, 532, 537-540; D7/2, 550, D7/554.2; D9/682, 690, 692, 176, 504; 206/77.1, 557, 587, 823; 211/13.1, 85.4, 211/85.12, 88.01; 248/176.1
CPC A47K 5/02; Y10S 206/823; C11D 17/0095
See application file for complete search history.

(56) **References Cited**

U.S. PATENT DOCUMENTS

D266,934 S * 11/1982 King D19/75
4,371,140 A * 2/1983 von Obstfelder A47K 5/05
248/309.2

D282,380 S * 1/1986 King D19/75
D506,128 S * 6/2005 Foi D9/715
D720,155 S * 12/2014 Watabe D6/536
D740,029 S * 10/2015 Otto D3/302

* cited by examiner

Primary Examiner — Wan Laymon

Assistant Examiner — Mark Booker

(74) *Attorney, Agent, or Firm* — Marger Johnson

(57) **CLAIM**

The ornamental design for a reusable soap package, as shown and described.

DESCRIPTION

FIG. 1 is a closed perspective view of a reusable soap package.

FIG. 2 is a closed side view.

FIG. 3 is a closed top view.

FIG. 4 is a closed bottom view.

FIG. 5 is an open perspective view.

FIG. 6 is an open side view.

FIG. 7 is an open top view.

FIG. 8 is an open bottom view.

FIG. 9 is a separated perspective view.

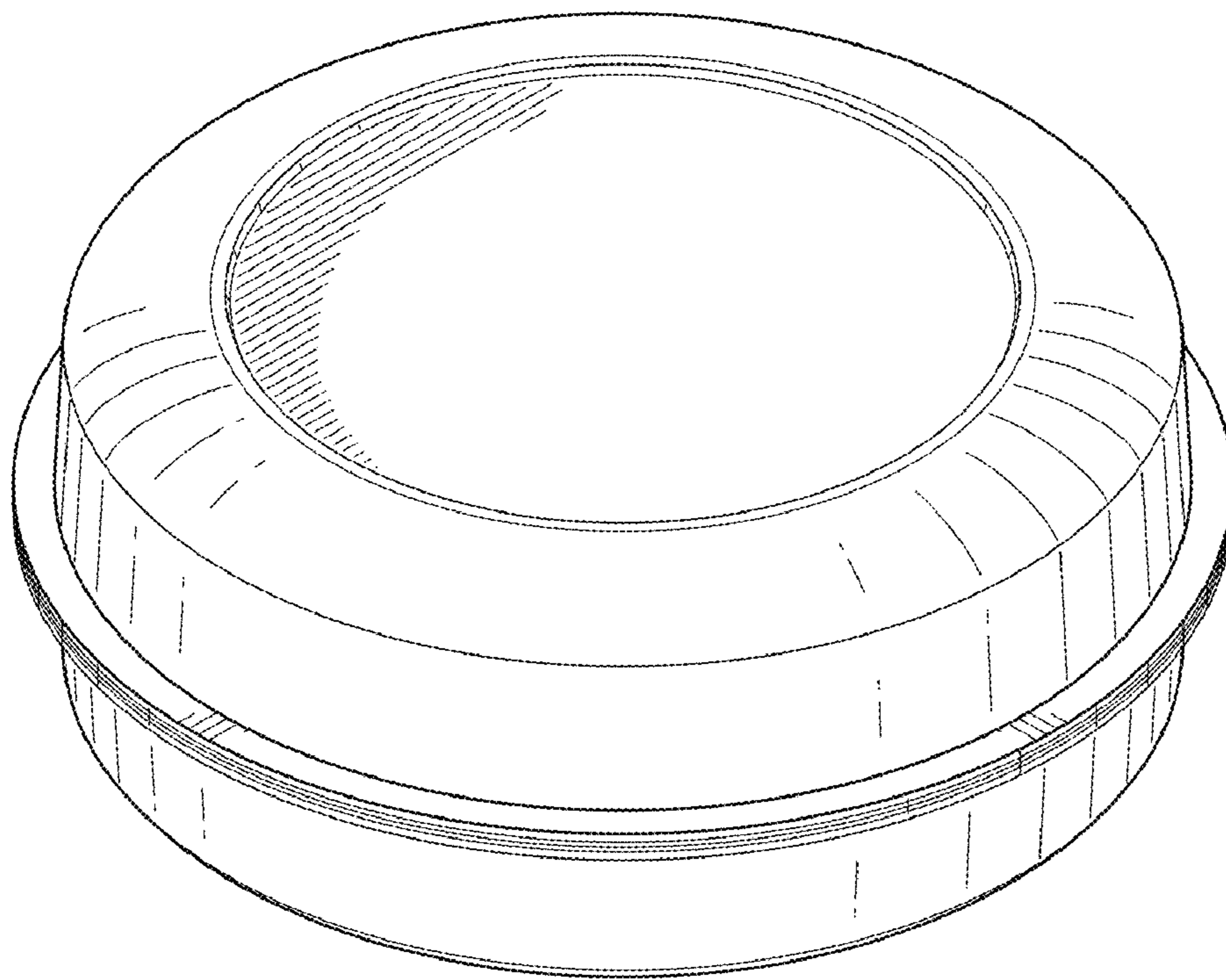
FIG. 10 is a separated side view.

FIG. 11 is a separated top view; and,

FIG. 12 is a separated bottom view.

The broken line showing in the figures is included for the purpose of illustrating portions of the reusable soap package and form no part of the claimed design.

1 Claim, 10 Drawing Sheets



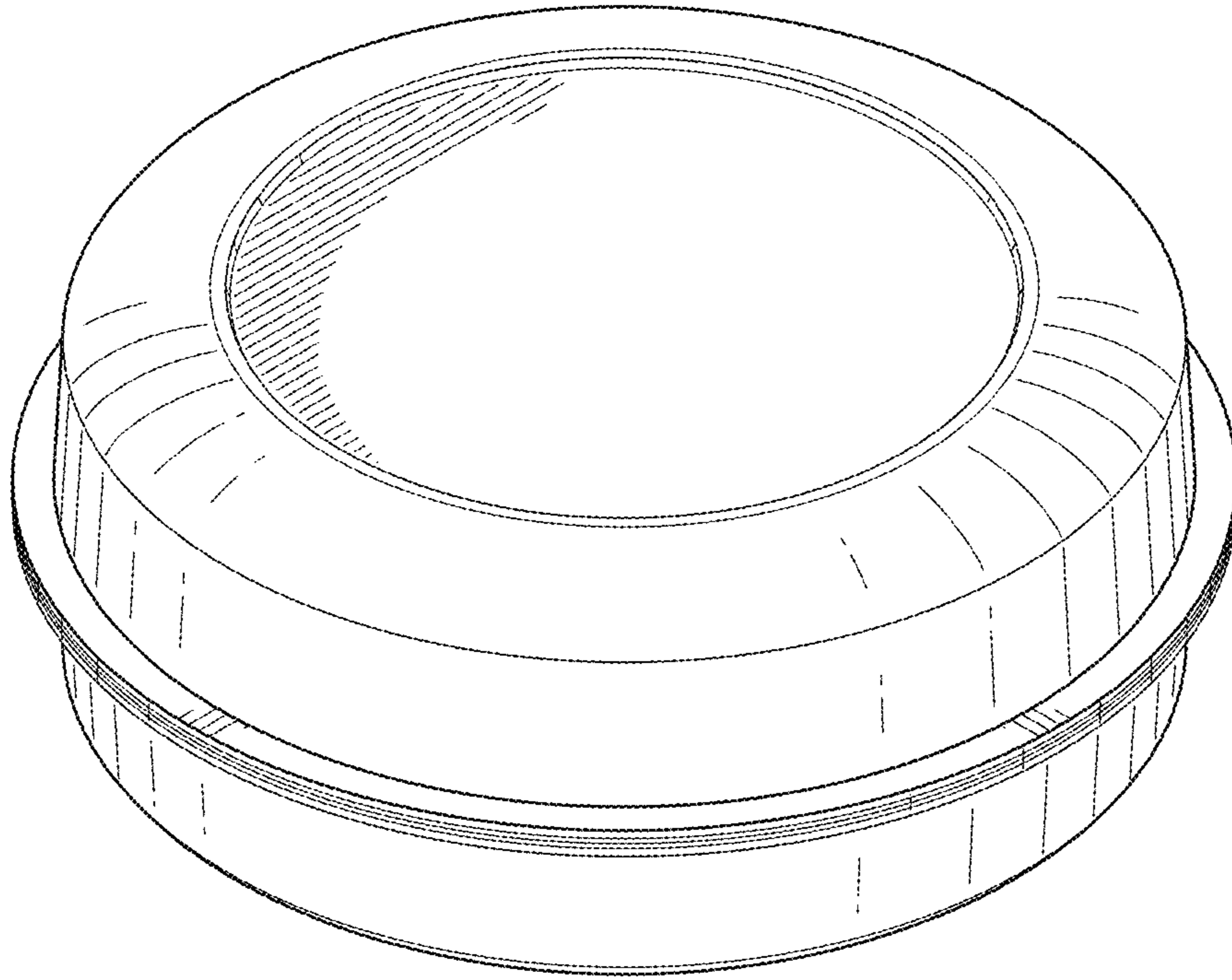


FIG. 1

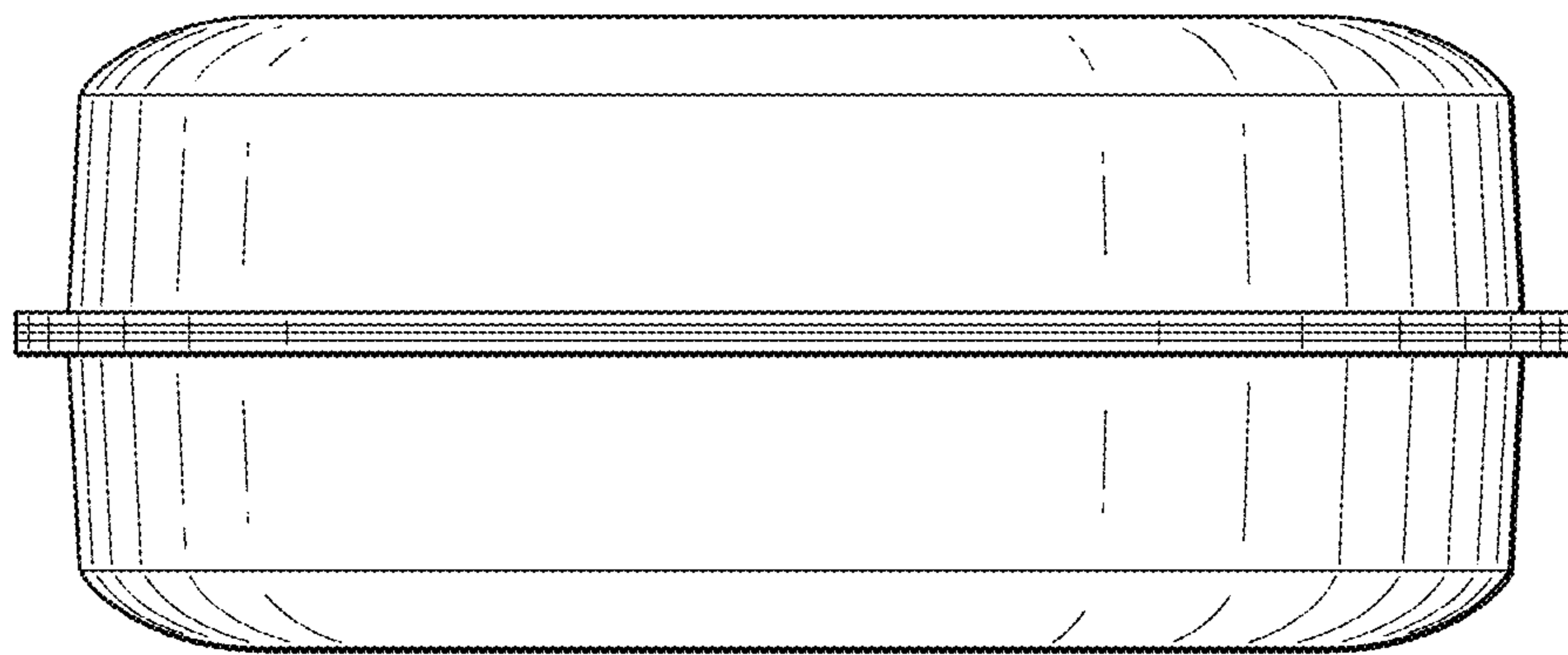


FIG. 2

FIG. 3

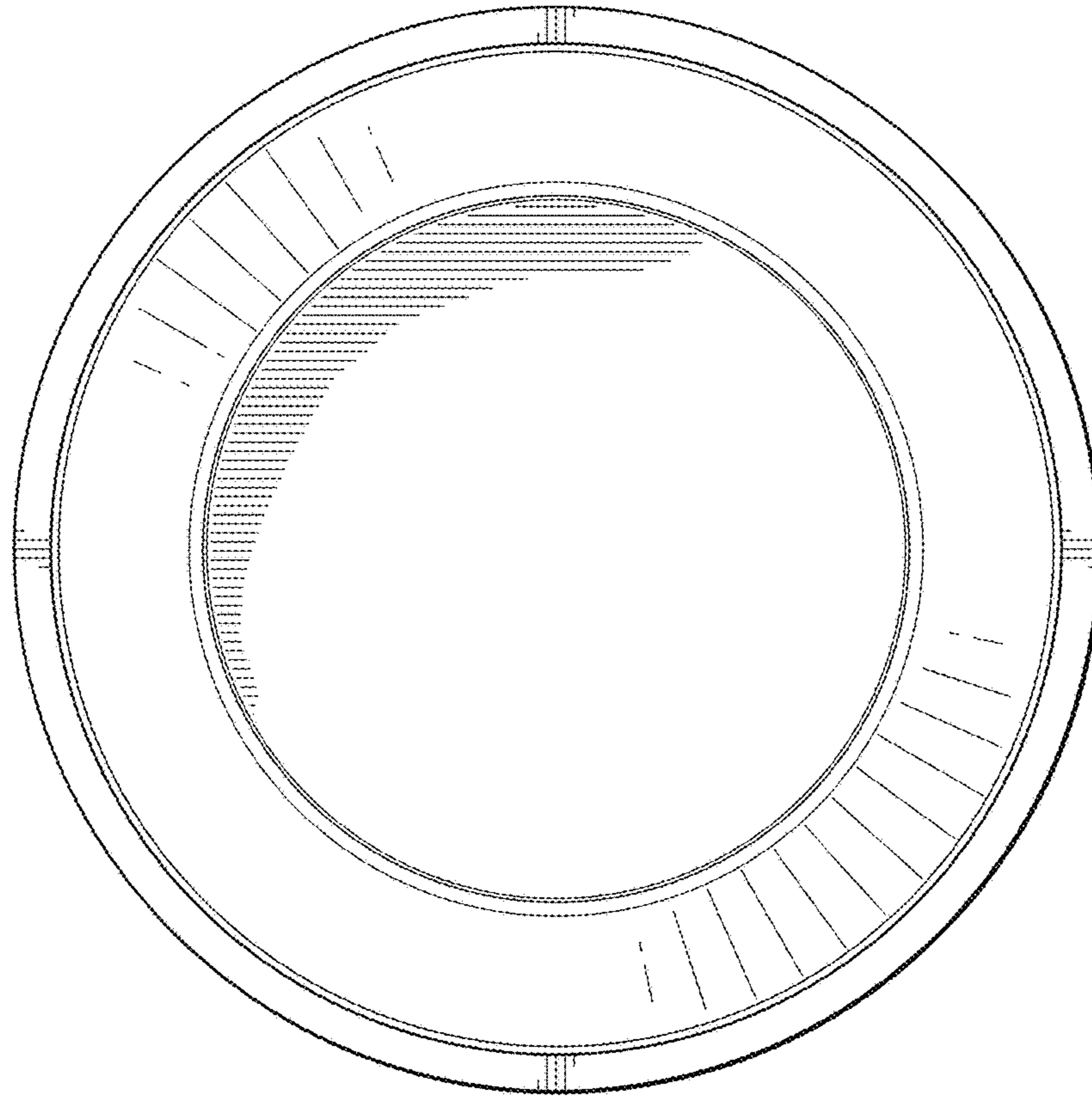
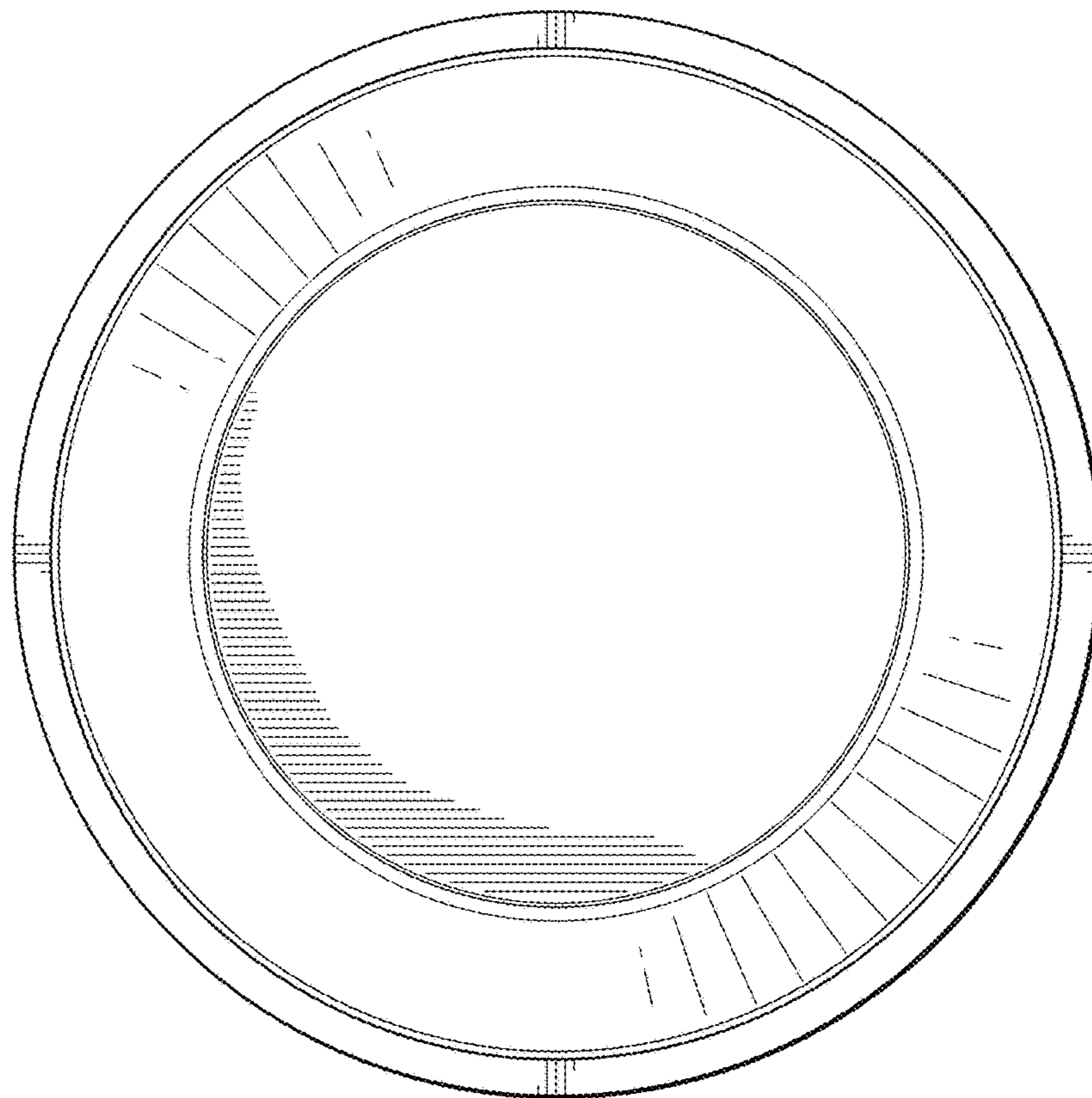


FIG. 4



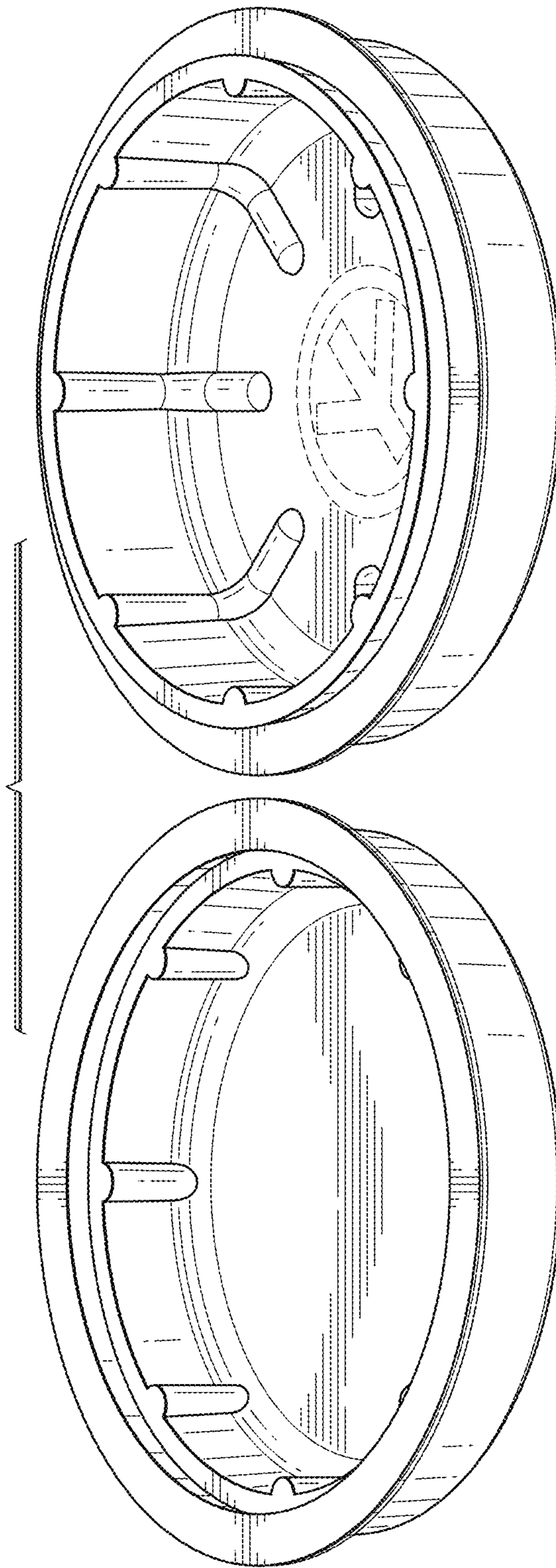


FIG. 5

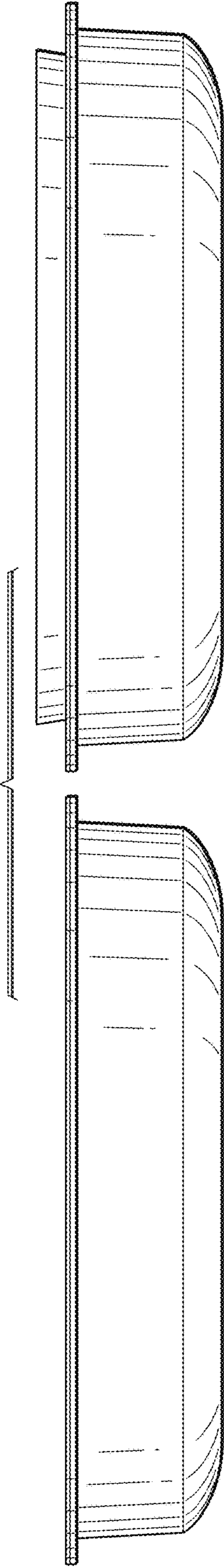


FIG. 6

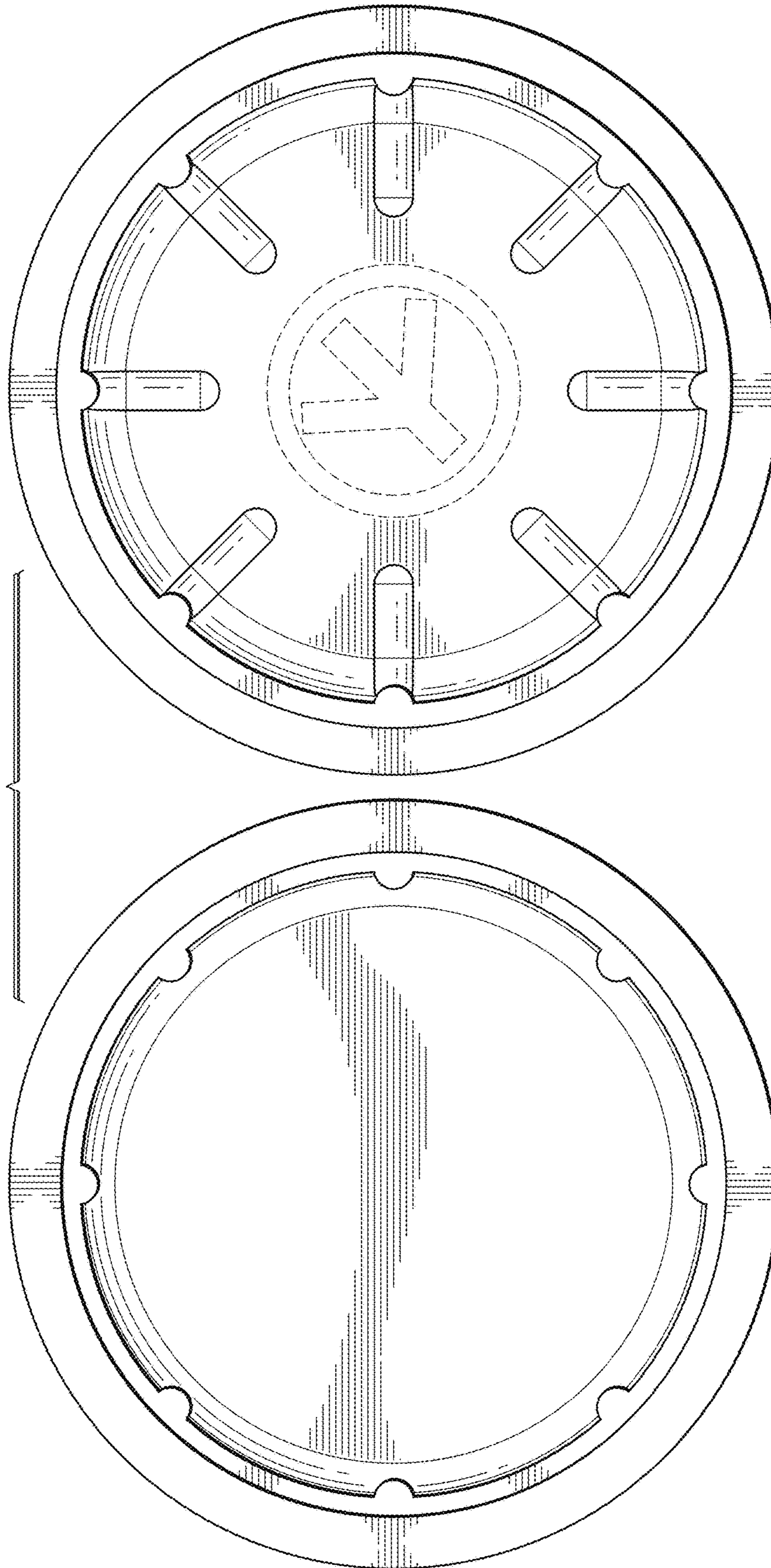


FIG. 7

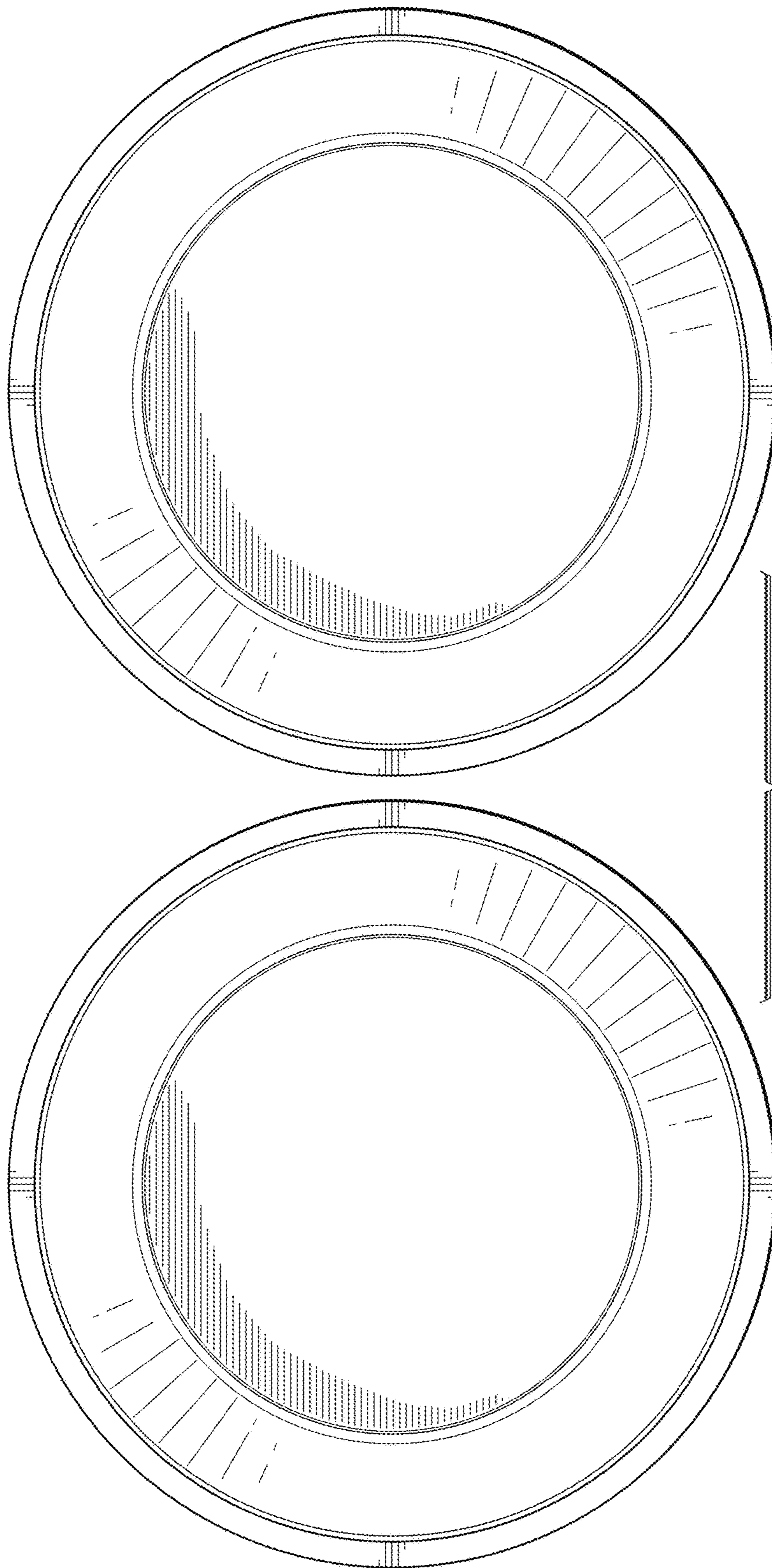


FIG. 8

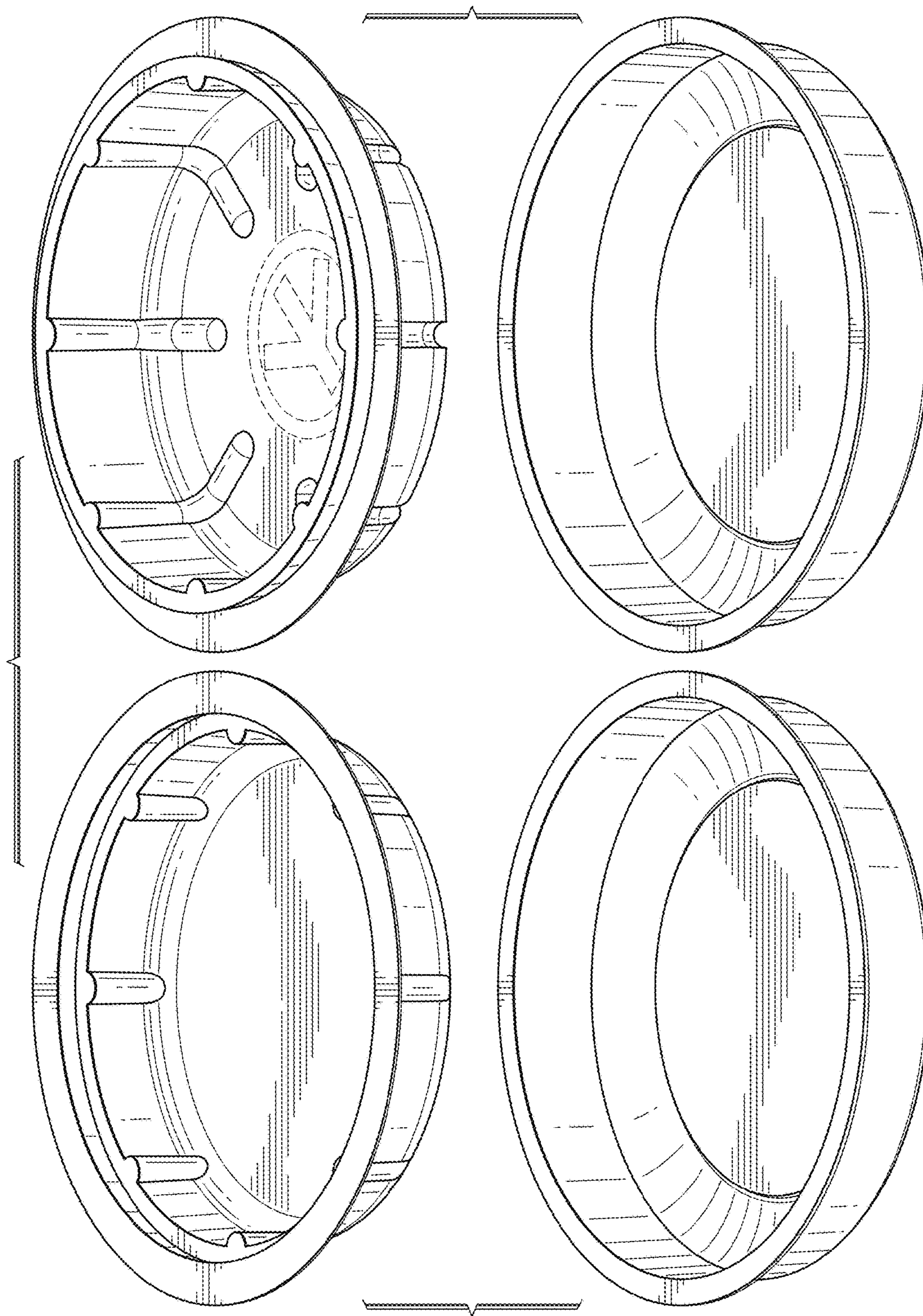


FIG. 9

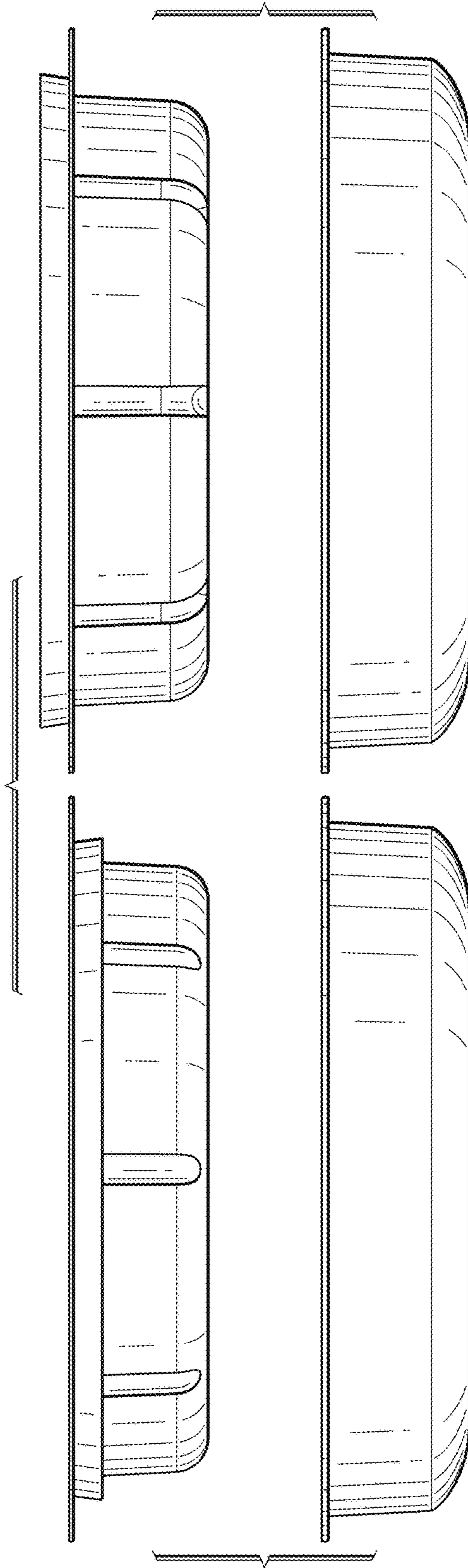


FIG. 10

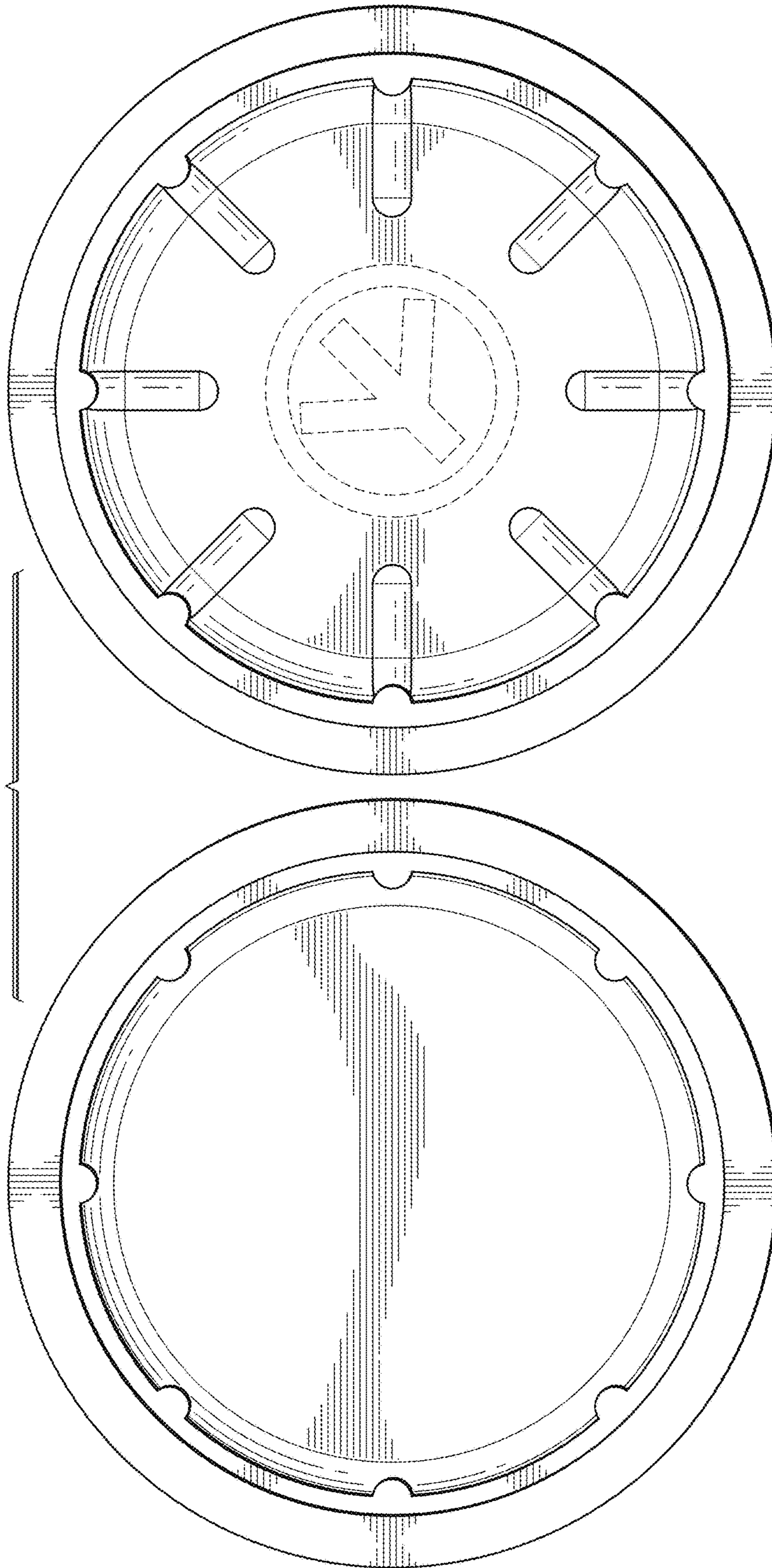


FIG. 11

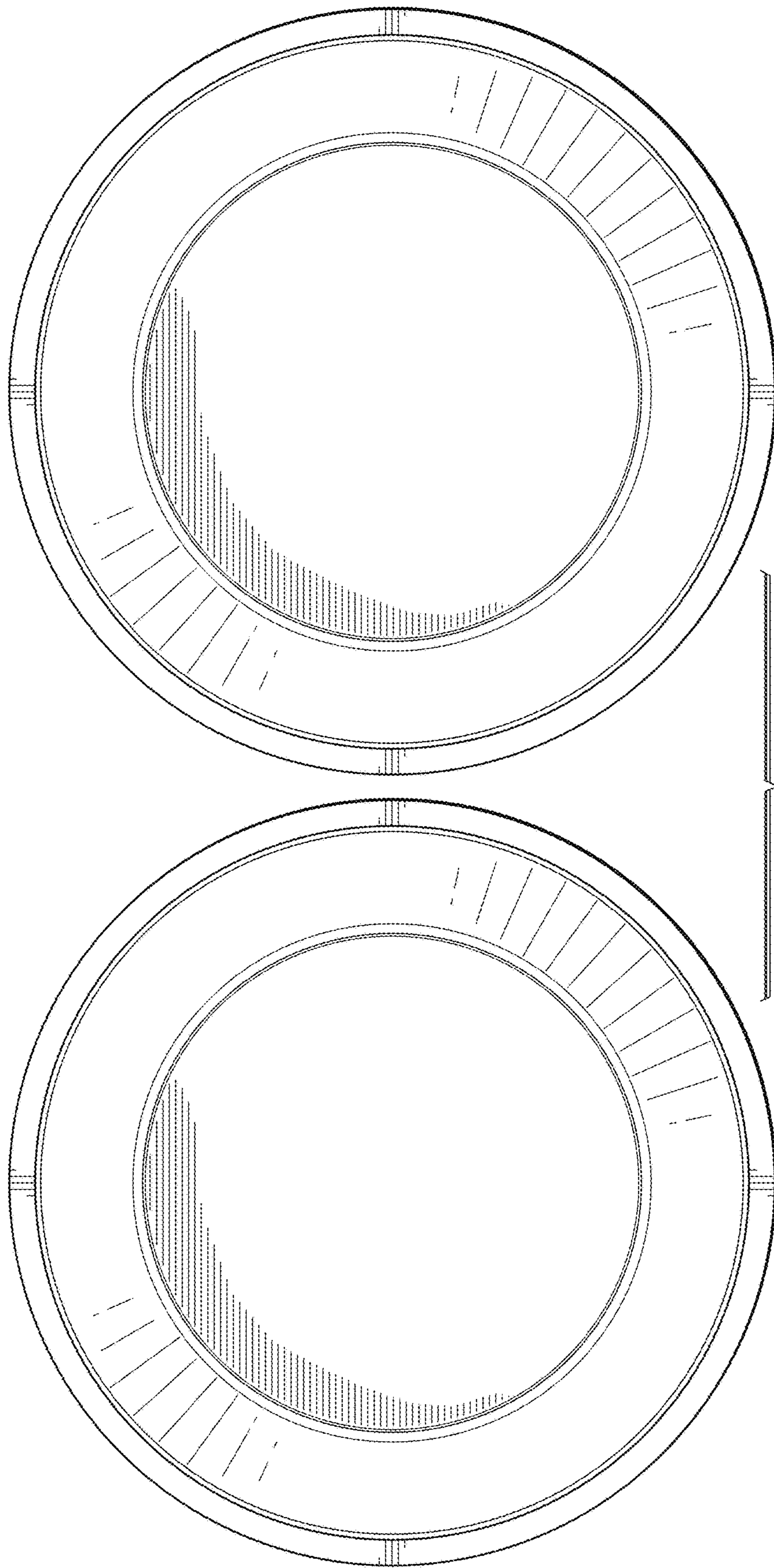


FIG. 12