



US00D791497S

(12) **United States Design Patent** (10) **Patent No.:** **US D791,497 S**  
**Wong** (45) **Date of Patent:** **\*\* Jul. 11, 2017**

(54) **BAG DISPENSER CLIP**

D728,259 S 5/2015 Gnanendran  
D780,474 S \* 3/2017 Wong ..... D3/215

(71) Applicant: **POOPBAGS.COM LLC**, Chicago, IL (US)

\* cited by examiner

(72) Inventor: **Fung Steven Wong**, Norcross, GA (US)

*Primary Examiner* — Mark Goodwin

(73) Assignee: **POOPBAGS.COM LLC**, Chicago, IL (US)

(74) *Attorney, Agent, or Firm* — Locke Lord LLP; Tim Tingkang Xia, Esq.

(\*\*) Term: **15 Years**

(57) **CLAIM**

The ornamental design for a bag dispenser clip, as shown and described.

(21) Appl. No.: **29/536,480**

**DESCRIPTION**

(22) Filed: **Aug. 17, 2015**

(51) **LOC (10) Cl.** ..... **20-02**

(52) **U.S. Cl.**  
USPC ..... **D6/518**; D3/215

(58) **Field of Classification Search**  
USPC ..... D6/515–523; D3/215, 218, 322, 329;  
206/391; 211/13.1; 221/173, 282;  
242/570, 590, 588.1, 598, 588.6;  
312/34.1, 34.8  
CPC .... A45F 5/00; A45F 5/021; A45F 5/14; A45F  
2003/001; A45F 2005/00; A45F  
2200/0591

See application file for complete search history.

FIG. 1 is a perspective view taken from a top, front, right side of a bag dispenser clip, according to my new design; FIG. 2 is a perspective view taken from a top, front, left side thereof; FIG. 3 is a front elevation view thereof; FIG. 4 is a rear elevation view thereof; FIG. 5 is a right side elevation view thereof; FIG. 6 is a left side elevation view thereof; FIG. 7 is a top plan view thereof; FIG. 8 is a bottom plan view thereof; FIG. 9 is a perspective view of a bag dispenser having the bag dispenser clip of the claimed design shown in FIGS. 1-8; FIG. 10 is another perspective view of the bag dispenser having the bag dispenser clip of the claimed design shown in FIGS. 1-8; and, FIG. 11 is yet another perspective view of the bag dispenser having the bag dispenser clip of the claimed design shown in FIGS. 1-8.

The broken lines showing of a bag dispenser are for the purpose of illustrating environmental structures of the bag dispenser clip and form no part of the claimed design.

(56) **References Cited**

**U.S. PATENT DOCUMENTS**

D670,903 S \* 11/2012 Ormsbee ..... D3/215  
D691,790 S \* 10/2013 Denzinger ..... D3/202  
D710,595 S \* 8/2014 Clifton, Jr. .... F41C 33/043  
D3/215  
D718,553 S 12/2014 Gnanendran

**1 Claim, 7 Drawing Sheets**





FIG. 2



FIG. 1

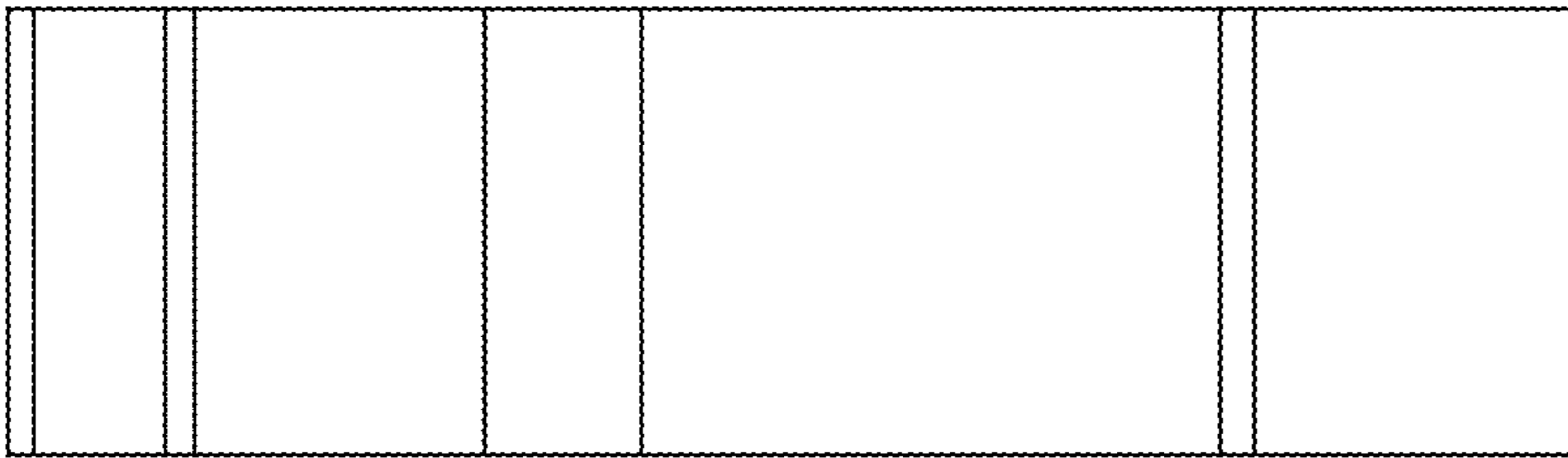


FIG. 4

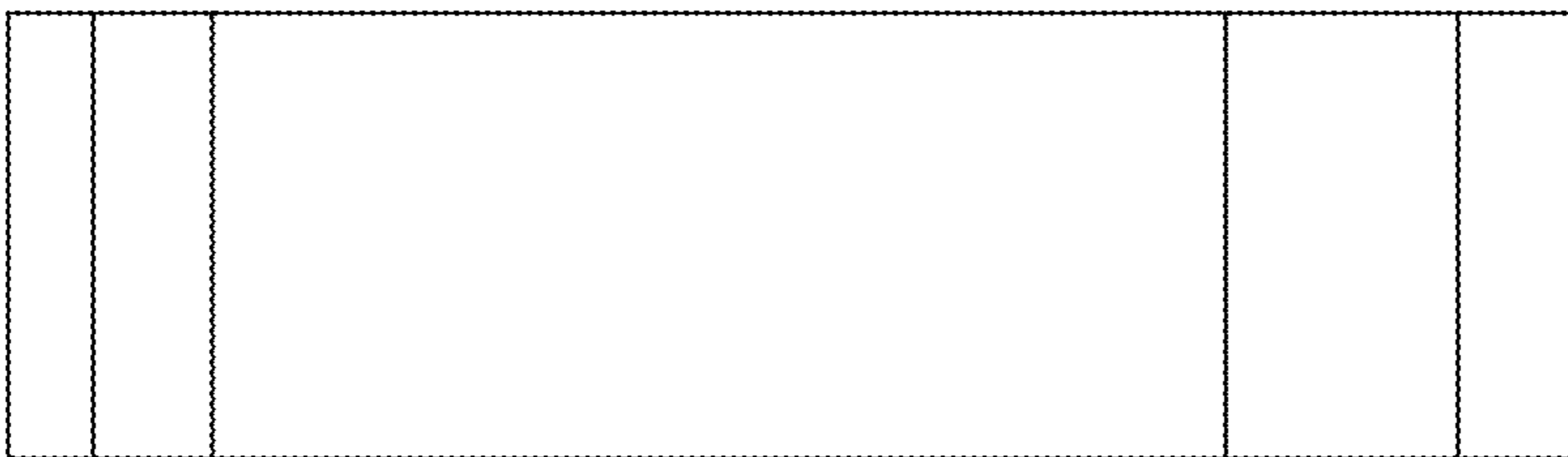


FIG. 3

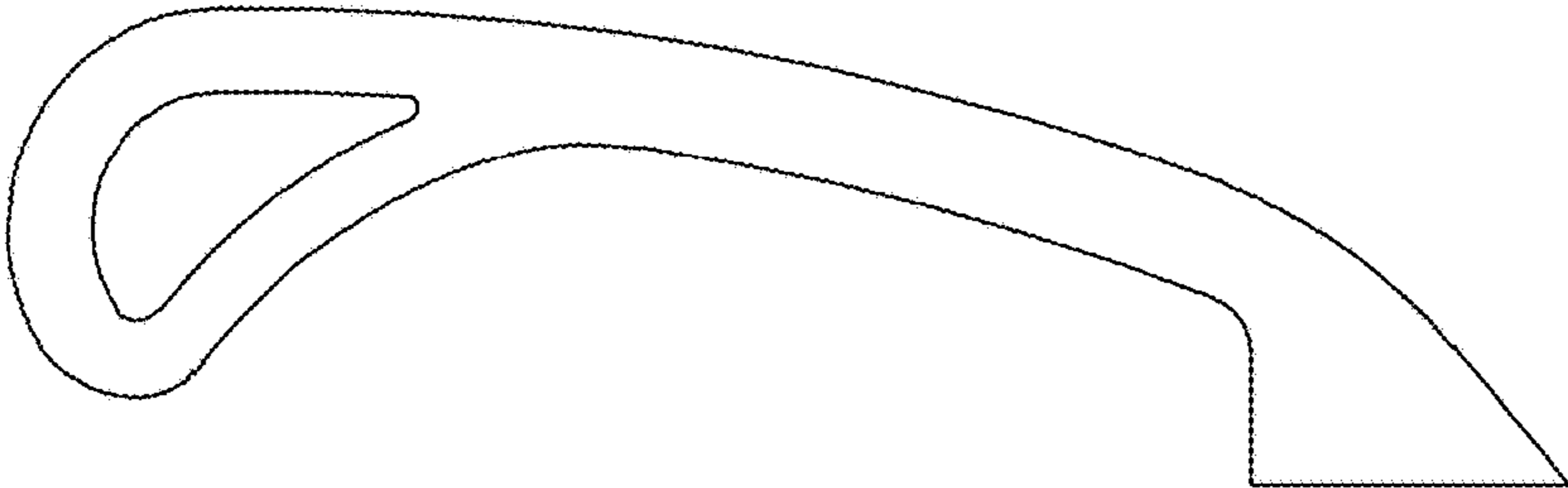


FIG. 5

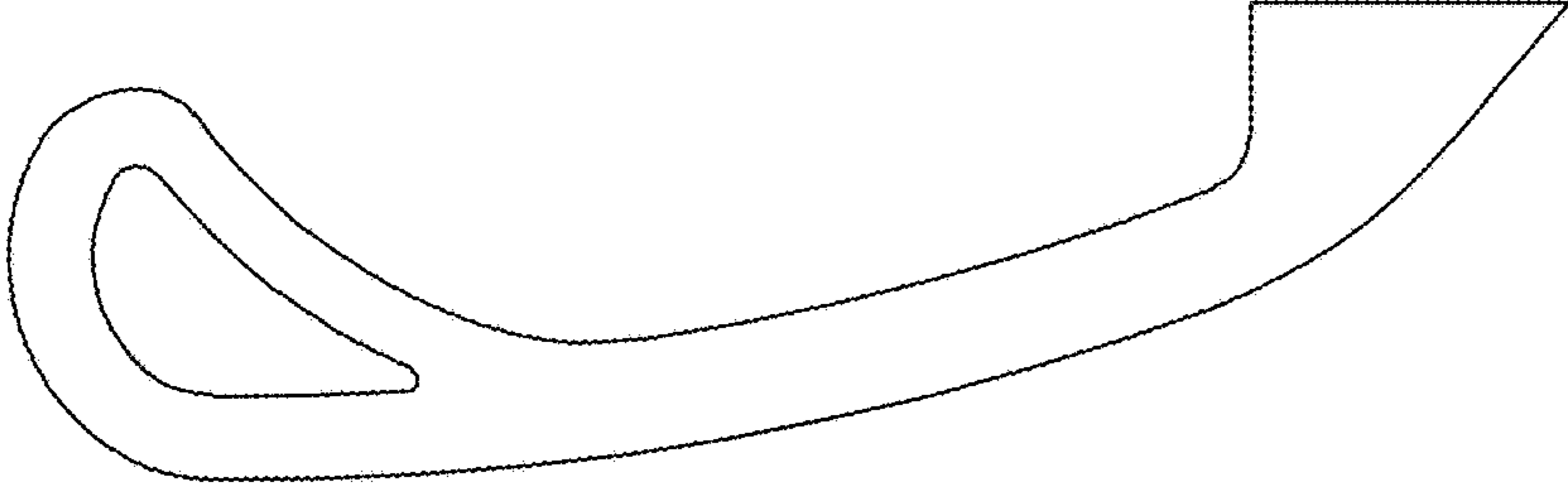


FIG. 6

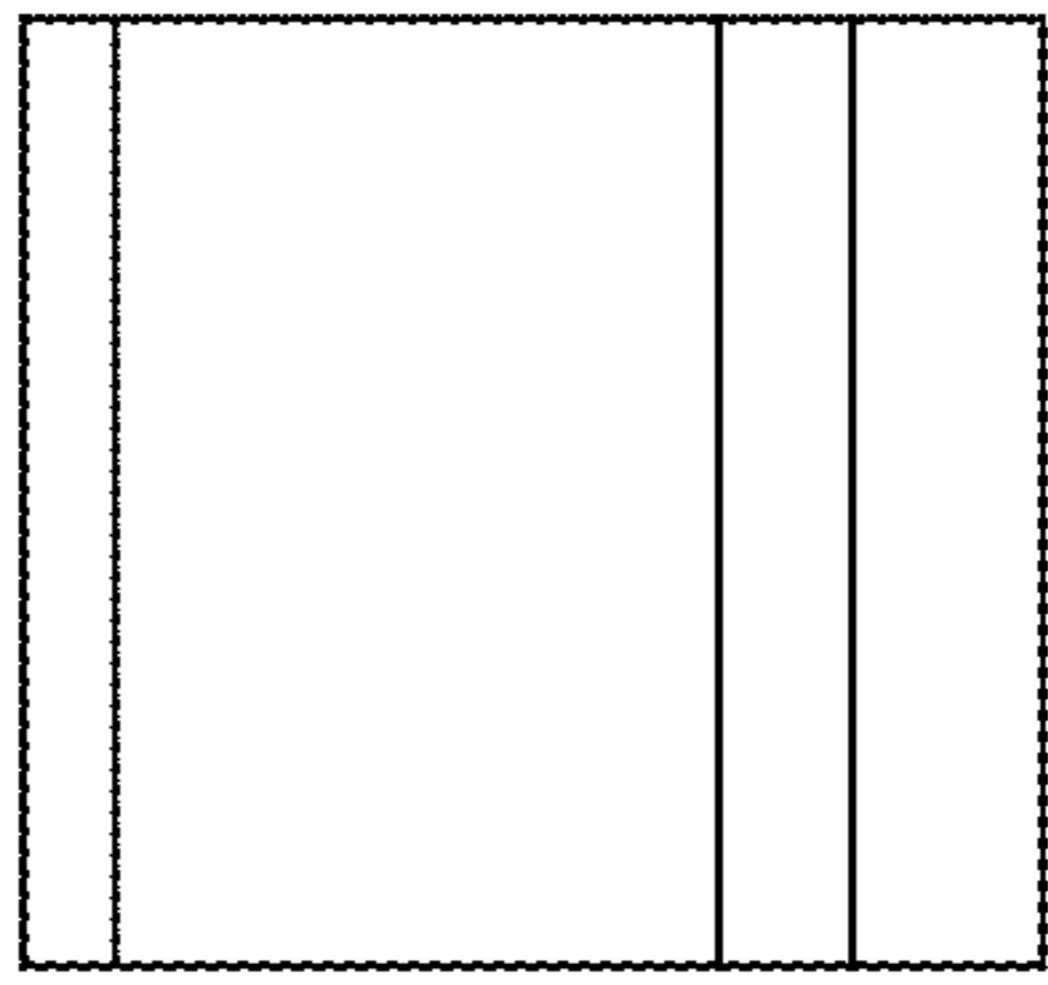


FIG. 8

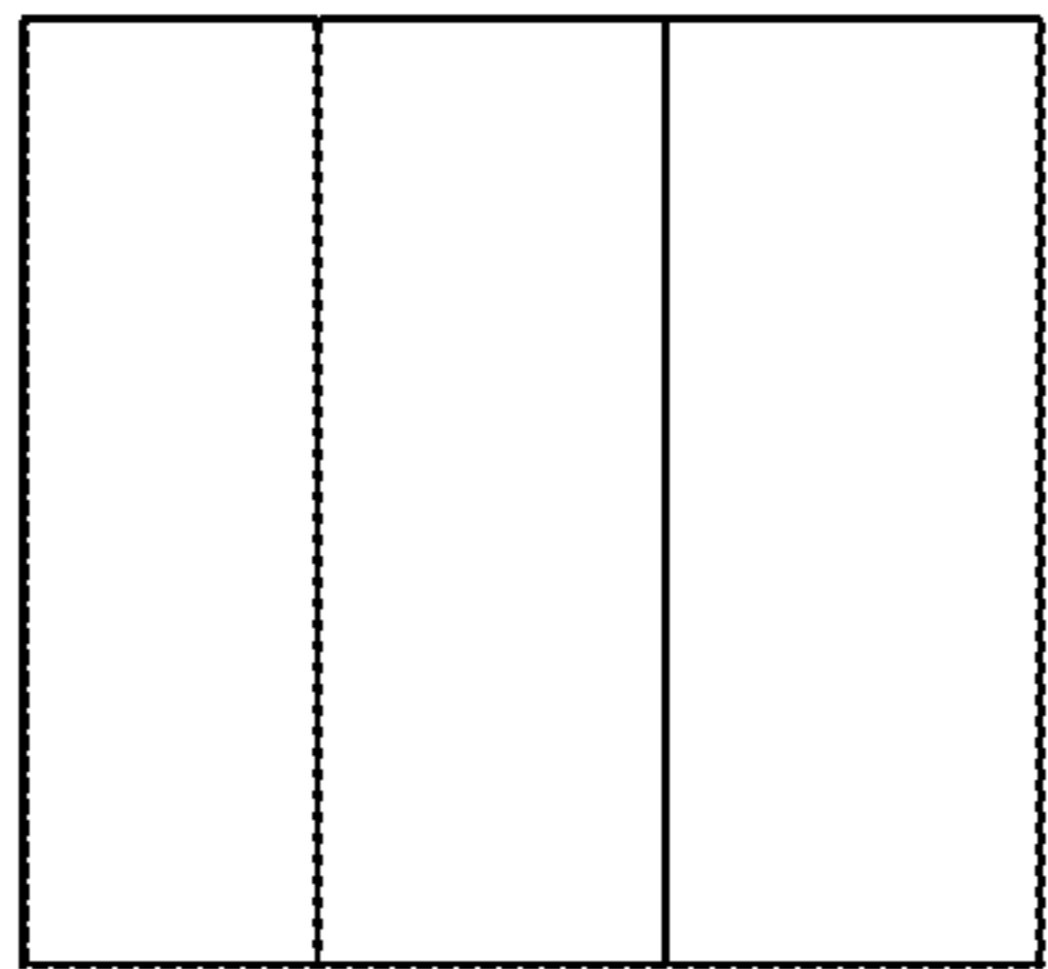


FIG. 7

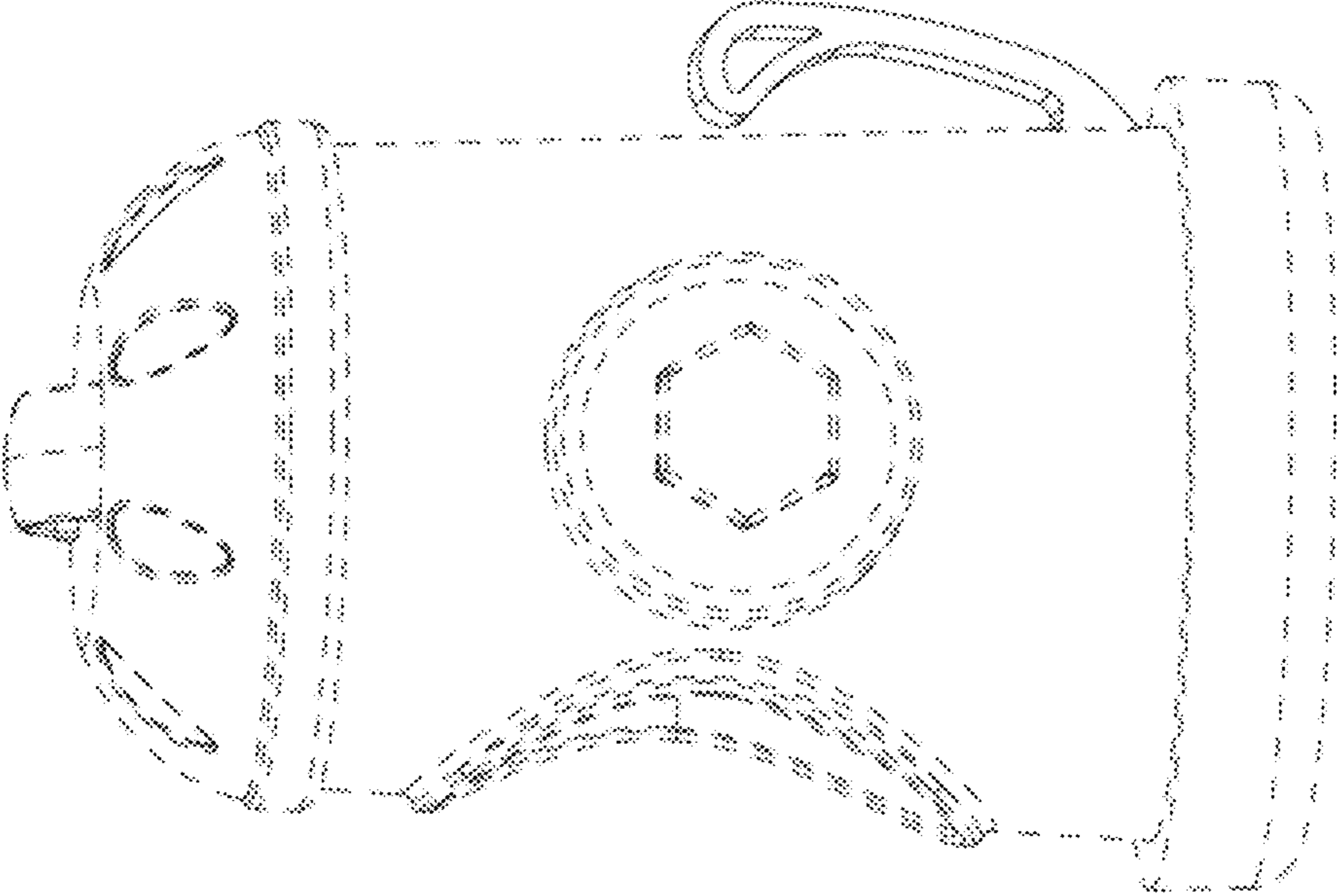


FIG. 9

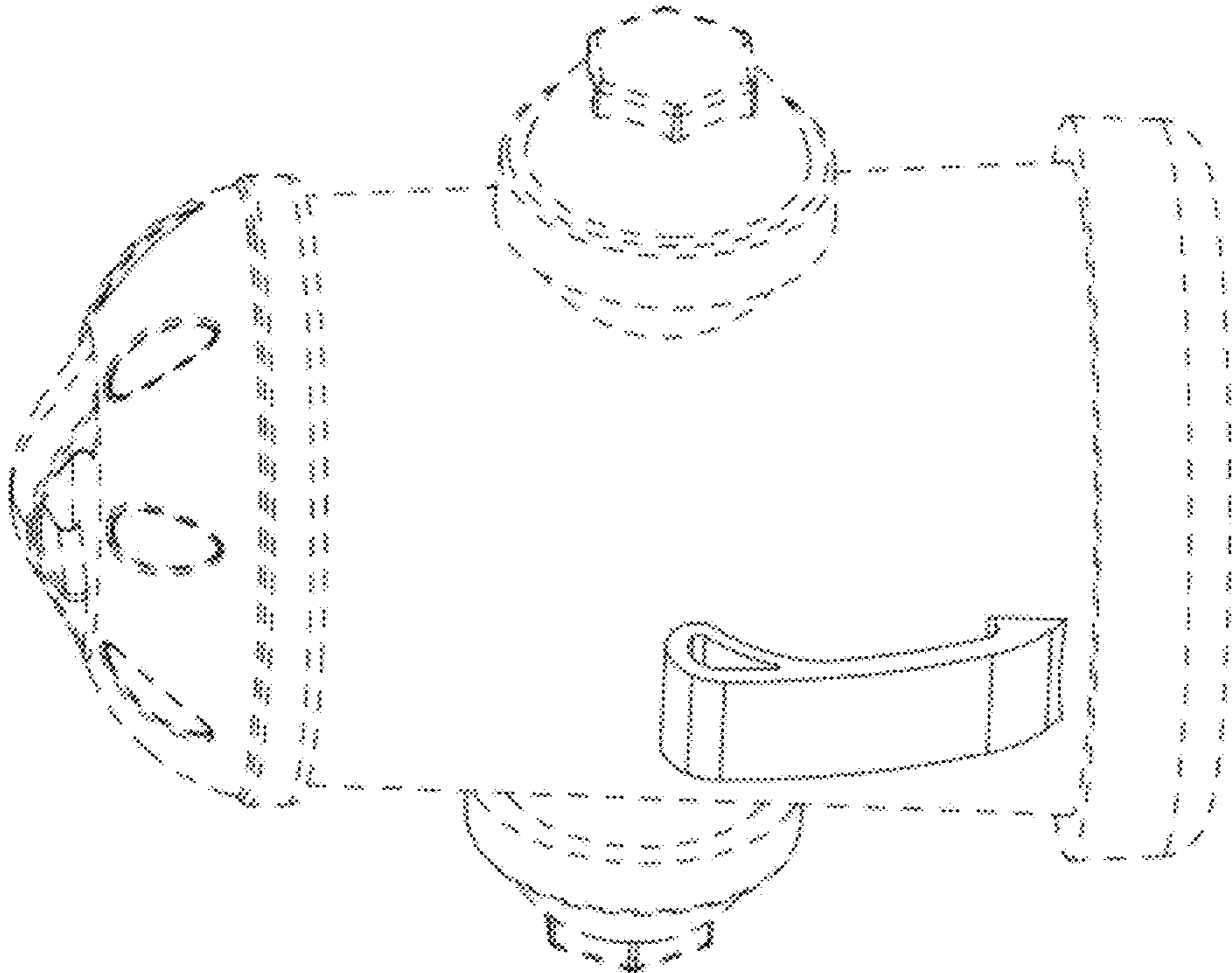


FIG. 10

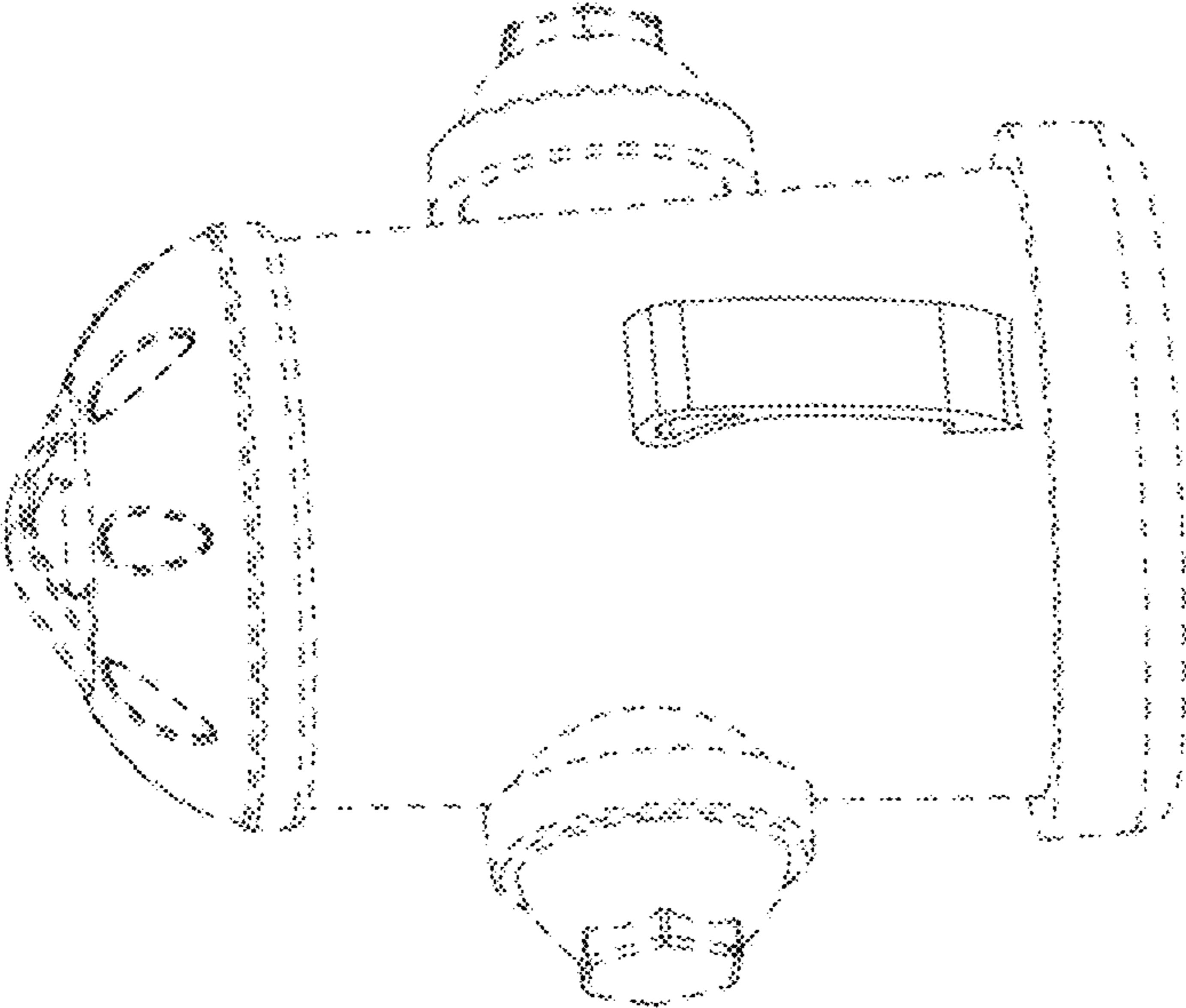


FIG. 11