



US00D791494S

(12) **United States Design Patent**
Bosch

(10) **Patent No.:** **US D791,494 S**
(45) **Date of Patent:** **** Jul. 11, 2017**

- (54) **BED**
- (71) Applicant: **M. SCHACK ENGEL A/S**, Højer (DK)
- (72) Inventor: **Jaco Bosch**, Sdr. Sejerslev (DK)
- (73) Assignee: **M. SCHACK ENGEL A/S**, Højer (DK)
- (**) Term: **14 Years**
- (21) Appl. No.: **29/521,183**
- (22) Filed: **Mar. 20, 2015**
- (51) **LOC (10) Cl.** **06-02**
- (52) **U.S. Cl.**
USPC **D6/383; D6/388**
- (58) **Field of Classification Search**
USPC **D6/383, 388, 389**
CPC **A47D 11/005; A47D 7/00**
See application file for complete search history.

available from internet: <URL:http://www.babyentiener.nl/lifetime-avonturenbed-my-hangout.html>.*
Lifetime Beds, Woonmooi Interieur, "Lifetime: Kinderkamers met een Verhaal", by Kevin, Aug. 1, 2014, site visited Aug. 31, 2016, available from internet: <URL:http://woonmooi.be/interieur/slaapkamer/lifetime-kinderkamers/>.*

* cited by examiner

Primary Examiner — Cathron Brooks
(74) *Attorney, Agent, or Firm* — Adam J. Cermak;
Cermak Nakajima & McGowan LLP

(57) **CLAIM**

The ornamental design for bed, as shown.

DESCRIPTION

FIG. 1 is a top, right, front perspective view of a bed showing my new design;
FIG. 2 is a top, left, rear perspective view of the bed shown in FIG. 1;
FIG. 3 is a front elevation view of the bed shown in FIG. 1;
FIG. 4 is a rear elevation view of the bed shown in FIG. 1;
FIG. 5 is a left side elevation view of the bed shown in FIG. 1;
FIG. 6 is a right side elevation view of the bed shown in FIG. 1;
FIG. 7 is a top plan view of the bed shown in FIG. 1; and,
FIG. 8 is a bottom plan view of the bed shown in FIG. 1.

(56) **References Cited**

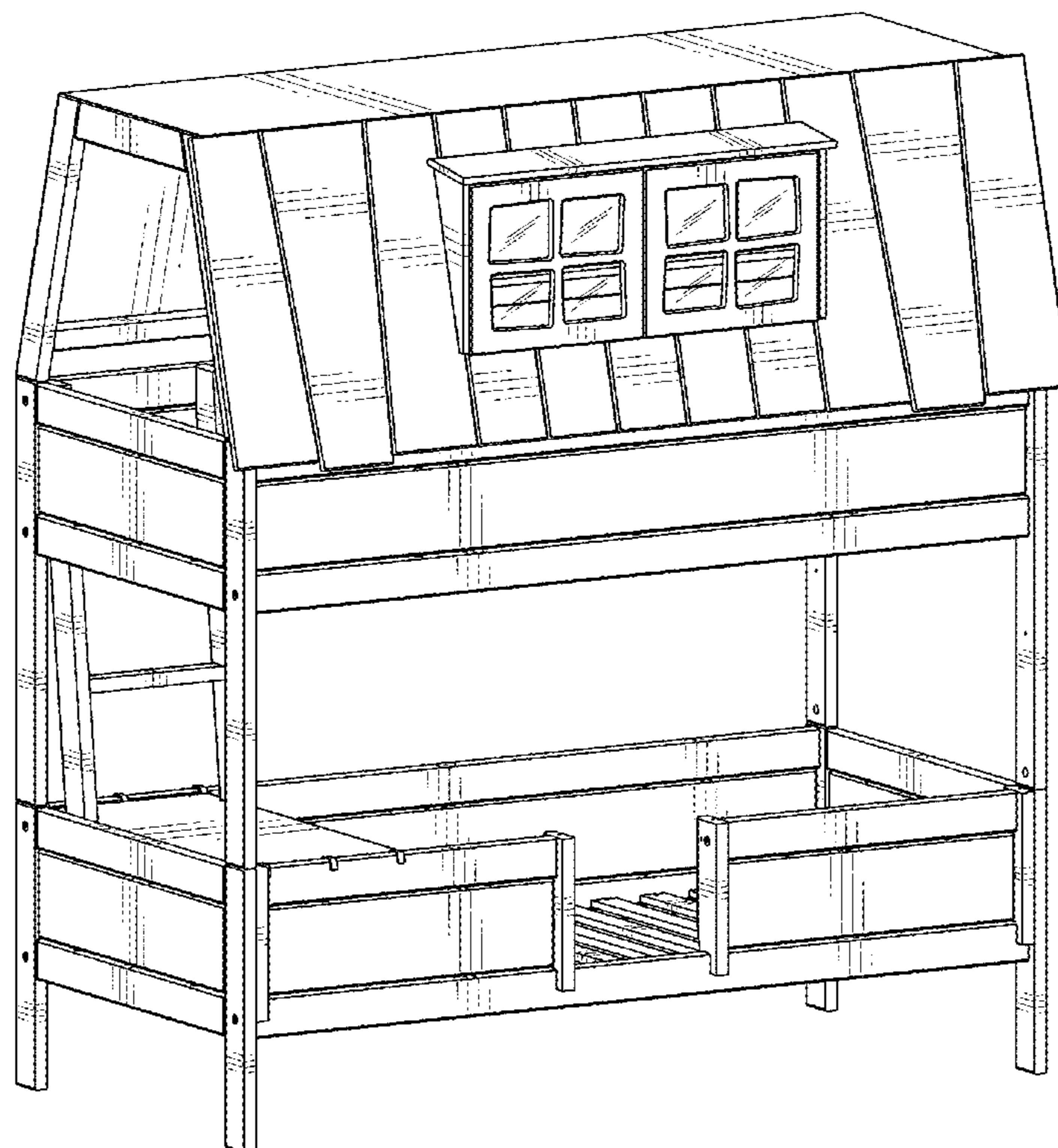
U.S. PATENT DOCUMENTS

D372,599 S	*	8/1996	Cacciola	D6/388
D400,026 S	*	10/1998	Bender	D6/388
D418,340 S	*	1/2000	Bender	D6/388
D720,552 S		1/2015	Grigaliunas		
D754,452 S	*	4/2016	Kingston	D6/383

OTHER PUBLICATIONS

Life Time Avonturenbed My Hangout, Baby & Tiener website, google update date of Apr. 11, 2014, site visited Aug. 31, 2016,

1 Claim, 8 Drawing Sheets



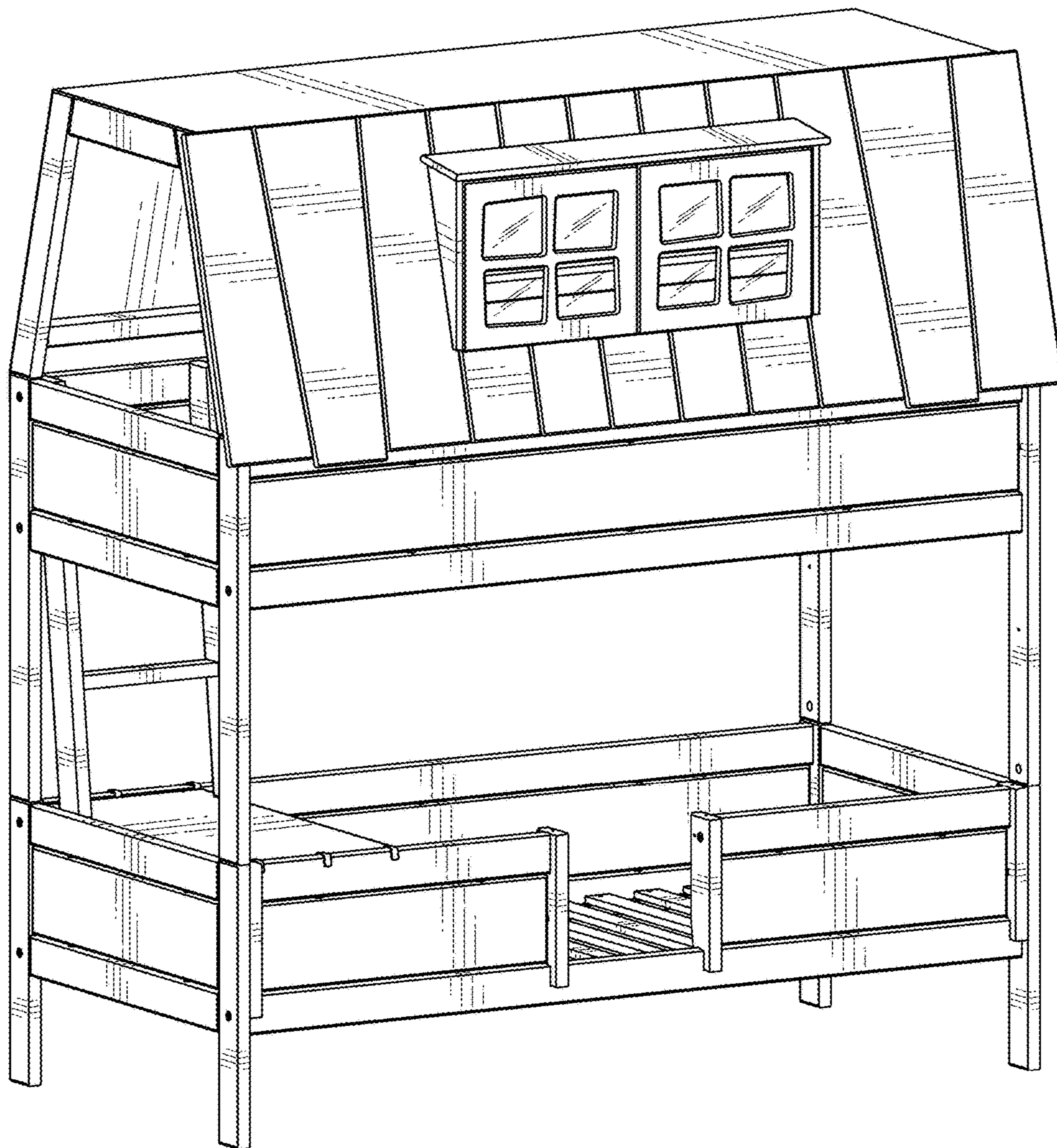


FIG. 1

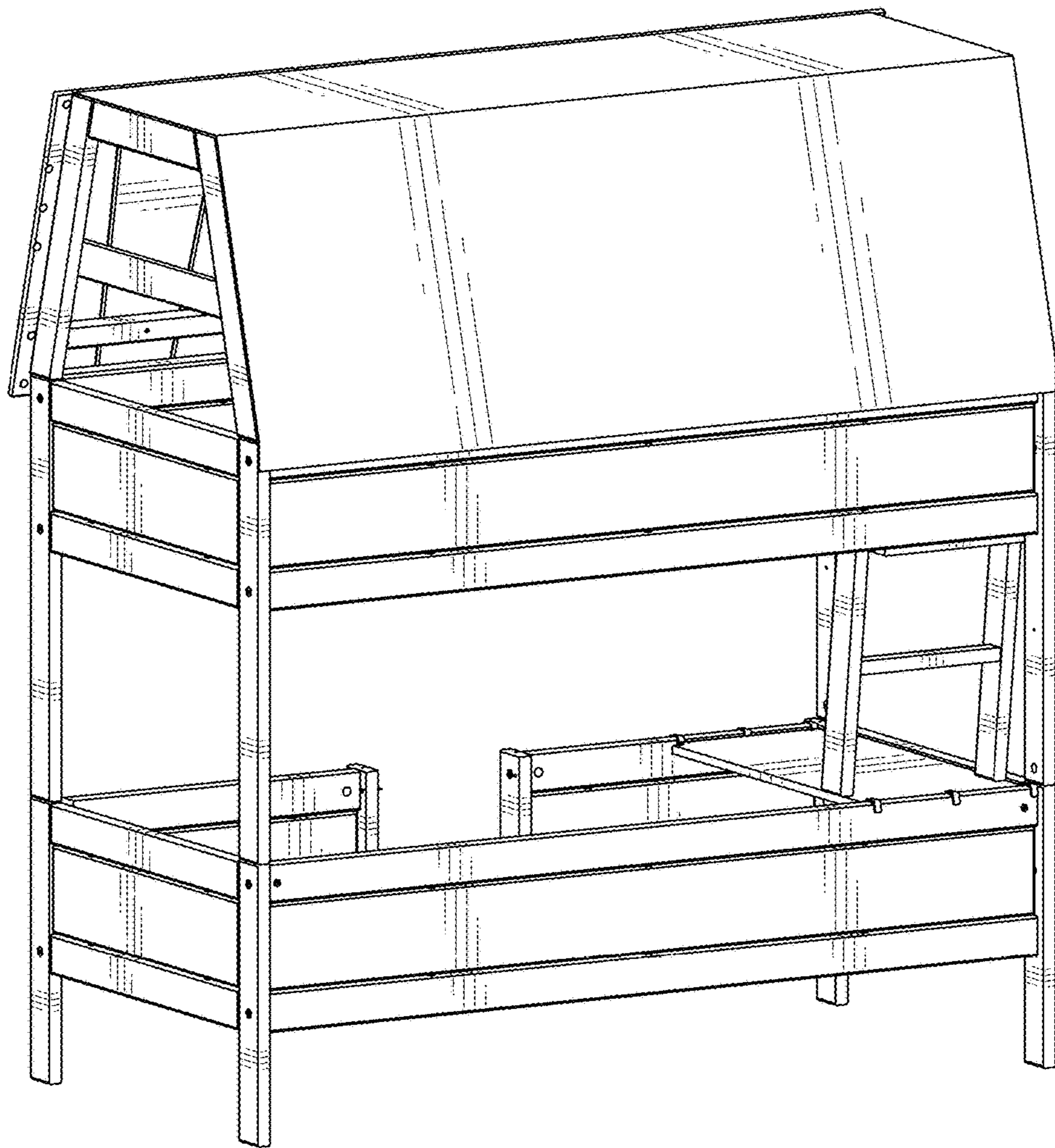


FIG. 2

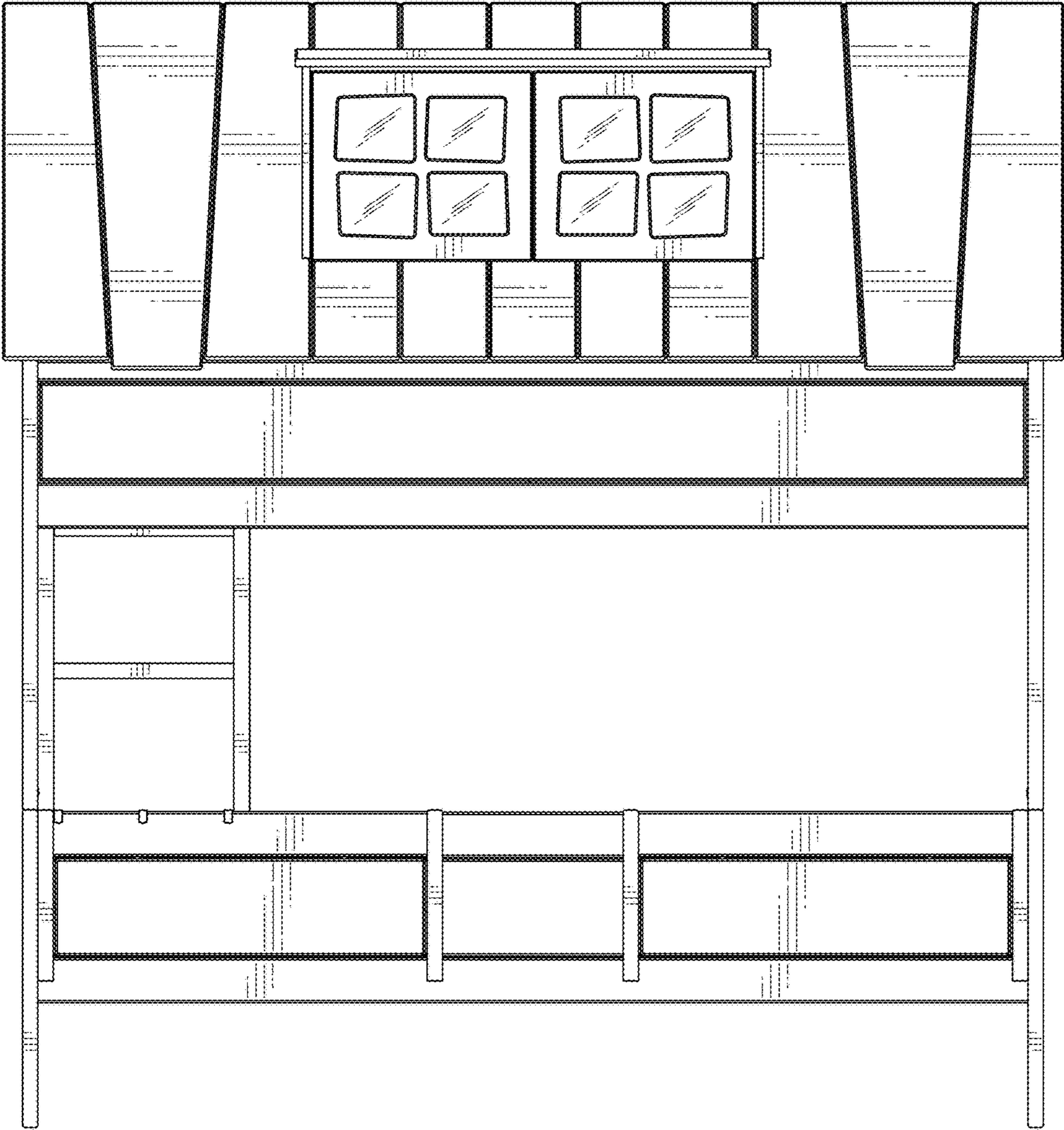


FIG. 3

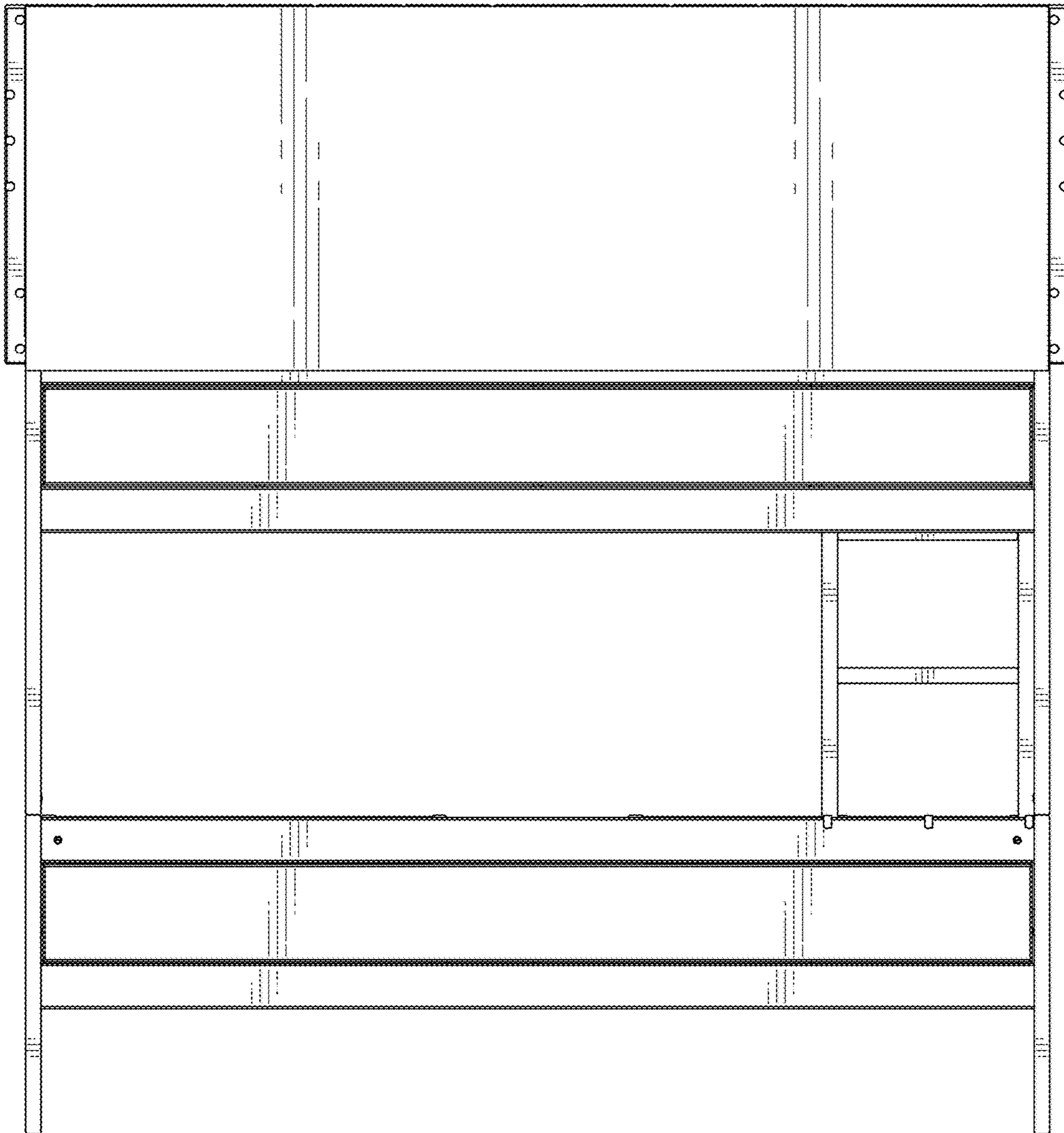


FIG. 4

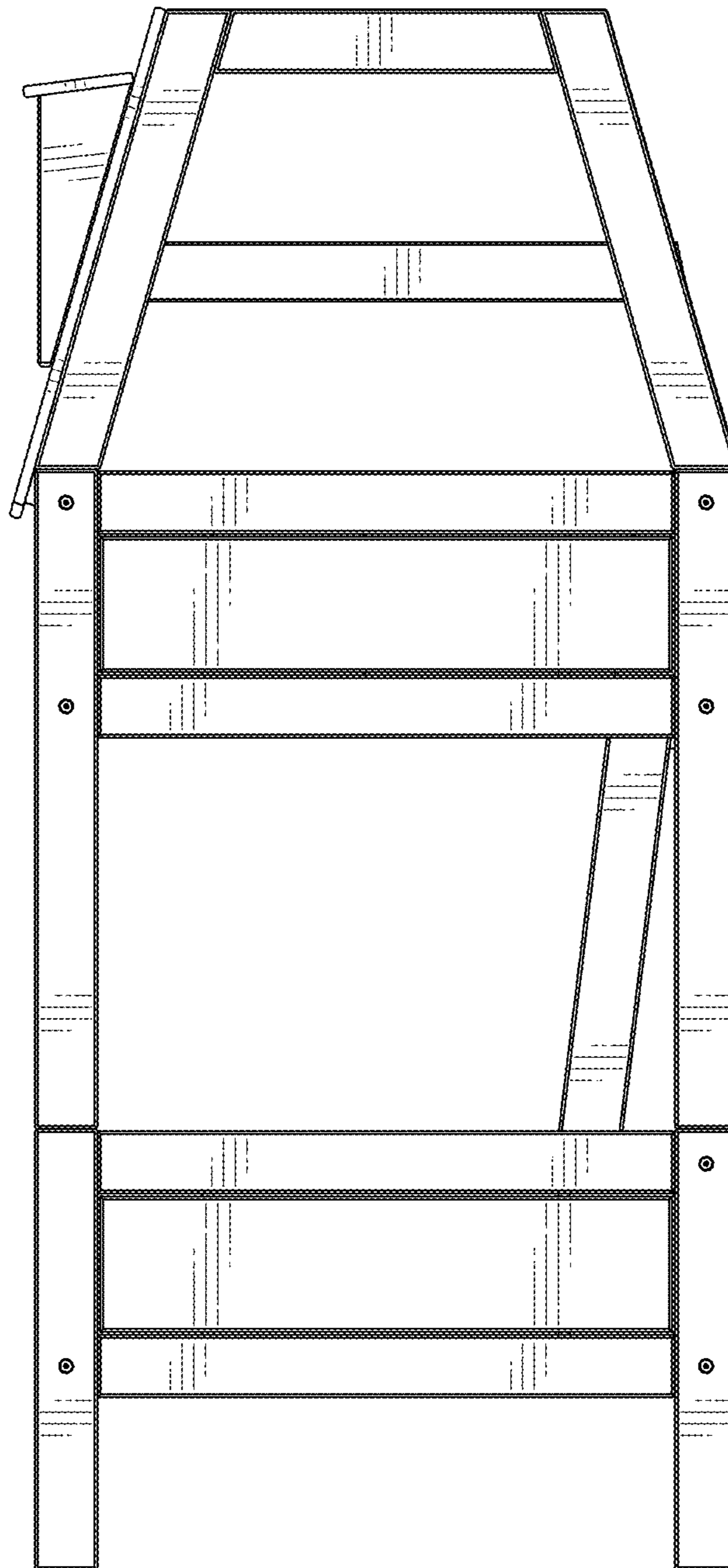


FIG. 5

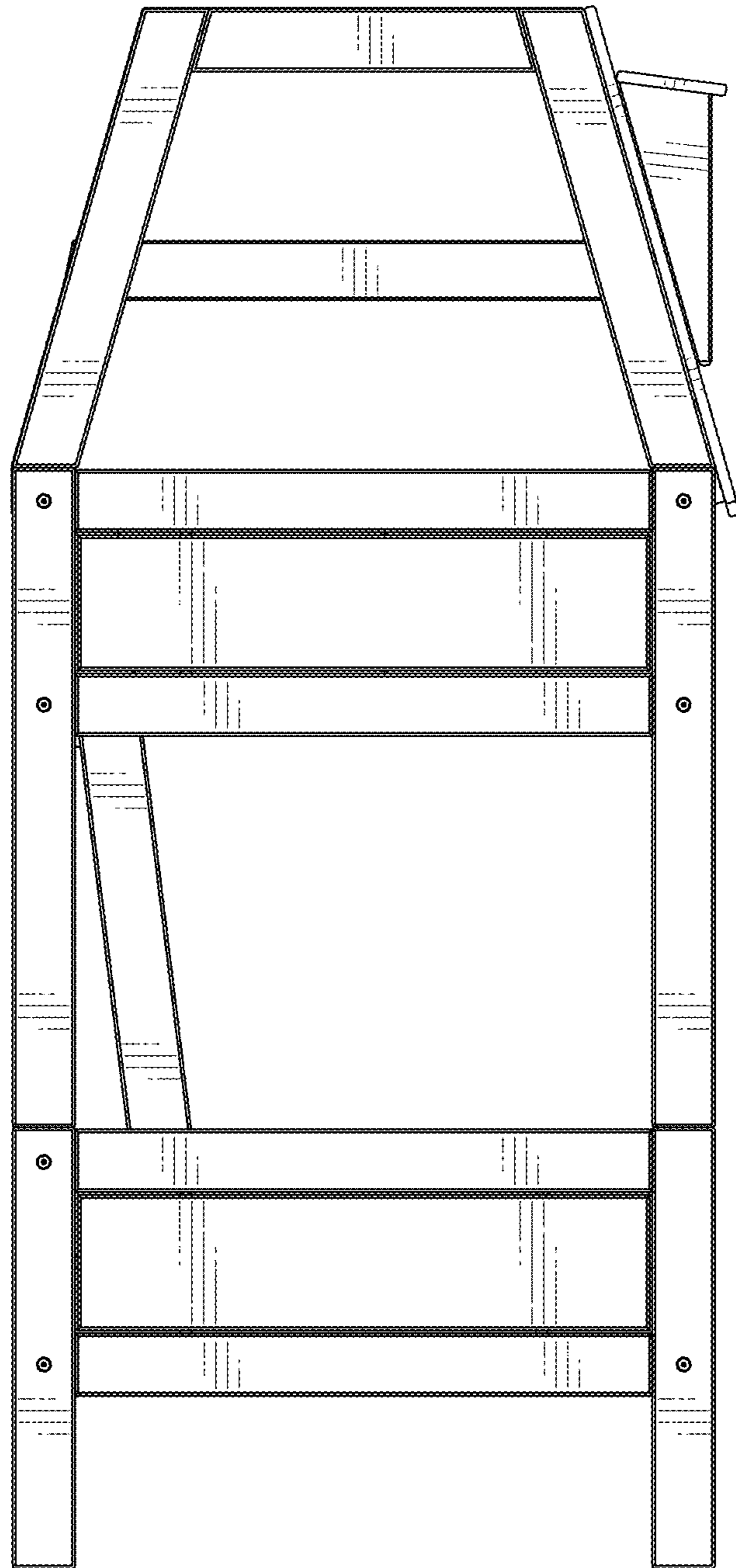


FIG. 6

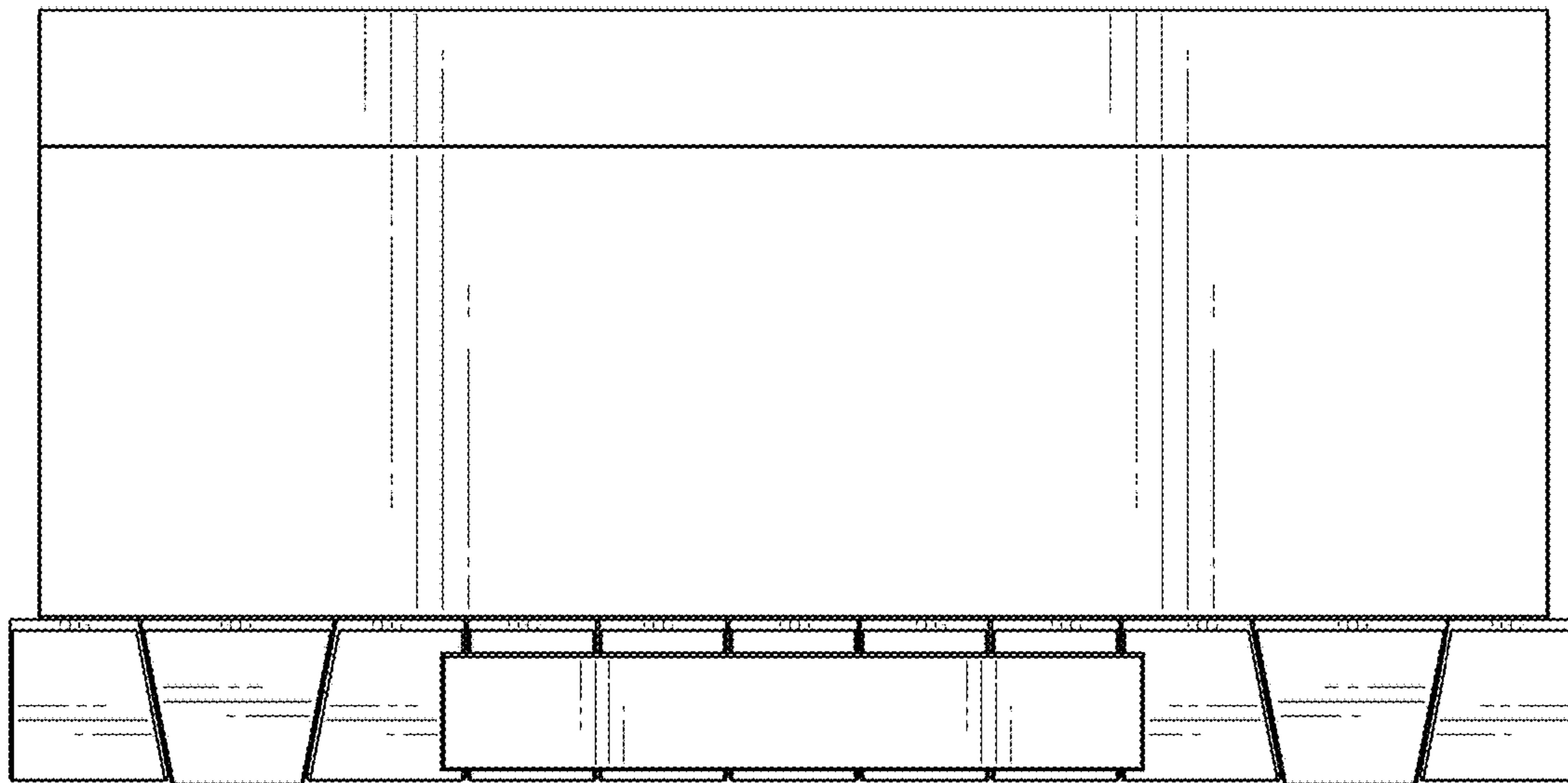


FIG. 7

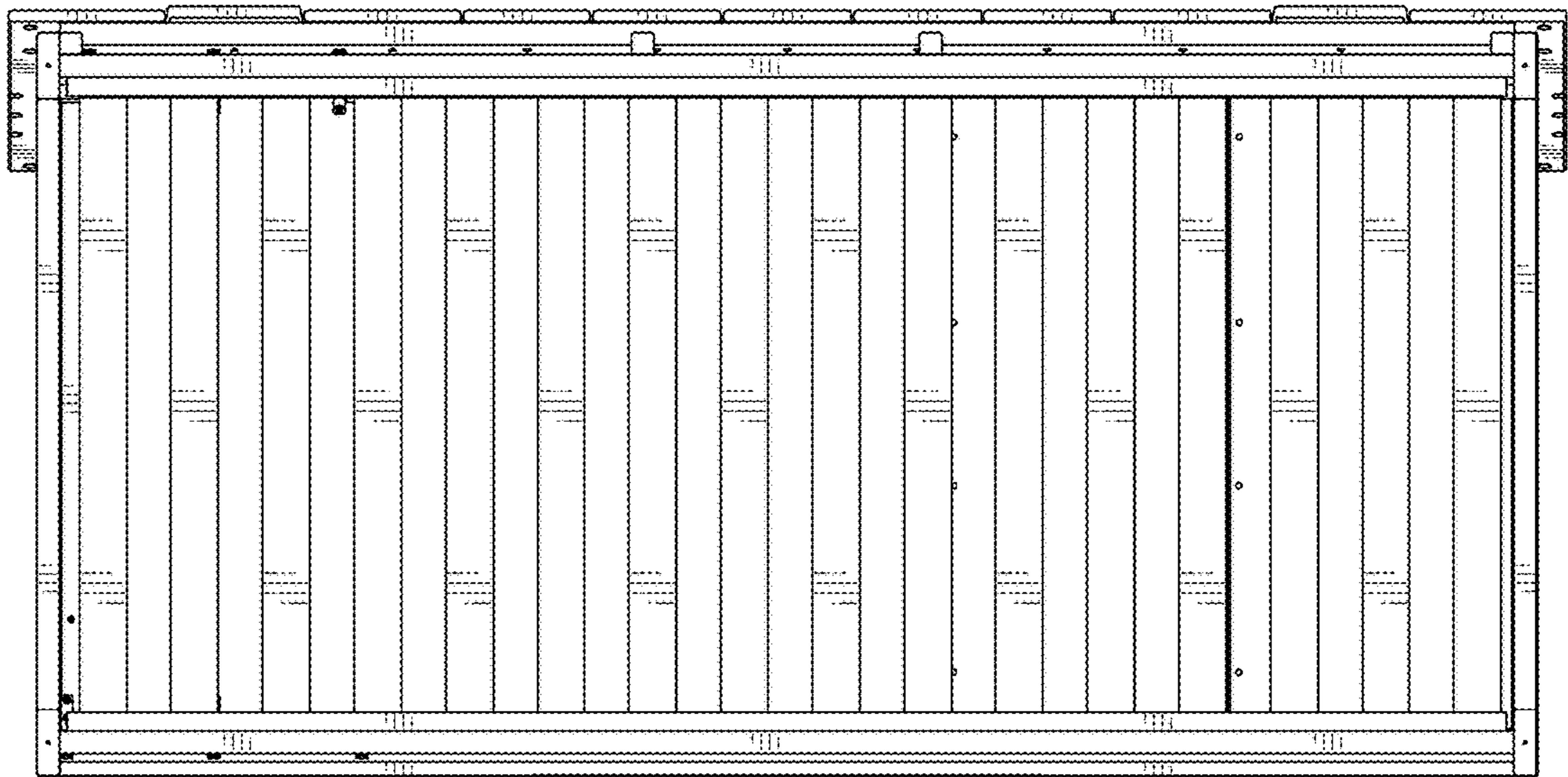


FIG. 8