



US00D791492S

(12) **United States Design Patent** (10) **Patent No.:** **US D791,492 S**
Mann (45) **Date of Patent:** **** Jul. 11, 2017**

(54) **CHAIR**
(71) Applicant: **Kohler Interiors Furniture Company,**
Hickory, NC (US)
(72) Inventor: **Kara Mann,** New York, NY (US)
(73) Assignee: **KOHLER CO.,** Kohler, WI (US)
(**) Term: **15 Years**
(21) Appl. No.: **29/542,793**
(22) Filed: **Oct. 16, 2015**
(51) **LOC (10) Cl.** **06-01**
(52) **U.S. Cl.**
USPC **D6/334**
(58) **Field of Classification Search**
USPC 297/16.1, 42, 94, 135, 175, 232, 233,
297/313, 330, 339, 350, 351, 445.1,
297/448.1, 448.2, 451.9; 5/12.1, 12.2;
D6/334, 335, 336, 349, 353, 354, 355,
D6/360, 367, 368, 369, 371, 373, 374,
D6/375, 376, 377, 379, 380, 403.4, 406.5,
D6/650, 708.21, 716, 716.1, 716.2, 716.4;
D21/483, 519, 521, 687, 695, 828
CPC .. A47C 3/04; A47C 4/02; A47C 4/024; A47C
4/028; A47C 4/03; A47C 5/06; A47C
7/16; A47C 7/18; A47C 3/00; A47C 4/00;
A47B 83/02
See application file for complete search history.

(56) **References Cited**
U.S. PATENT DOCUMENTS

D372,806 S * 8/1996 Martin D6/376
D417,558 S * 12/1999 Staubach D6/334
D460,875 S * 7/2002 Schweikarth D6/379

D468,914 S * 1/2003 Clark D6/334
D475,539 S * 6/2003 Savini D6/334
D475,543 S * 6/2003 Savini D6/374
D477,720 S * 7/2003 Diaz-Azcuy D6/334
D550,465 S * 9/2007 Bouroullec D6/334
D593,336 S * 6/2009 Ciani D6/374
D657,148 S * 4/2012 Ciani D6/334

OTHER PUBLICATIONS

Cane Side Chair, posted at Mr.bakerfurniture.com, posting date Jan. 17, 2016, [online], [site visited Sep. 20, 2016]. Available from Internet, <URL: <https://mr.bakerfurniture.com/dining/seating/chairs/cane-side-chair-mr7040>>.*

(Continued)

Primary Examiner — Thomas Johannes
Assistant Examiner — Catherine Ho
(74) *Attorney, Agent, or Firm* — Foley & Lardner LLP

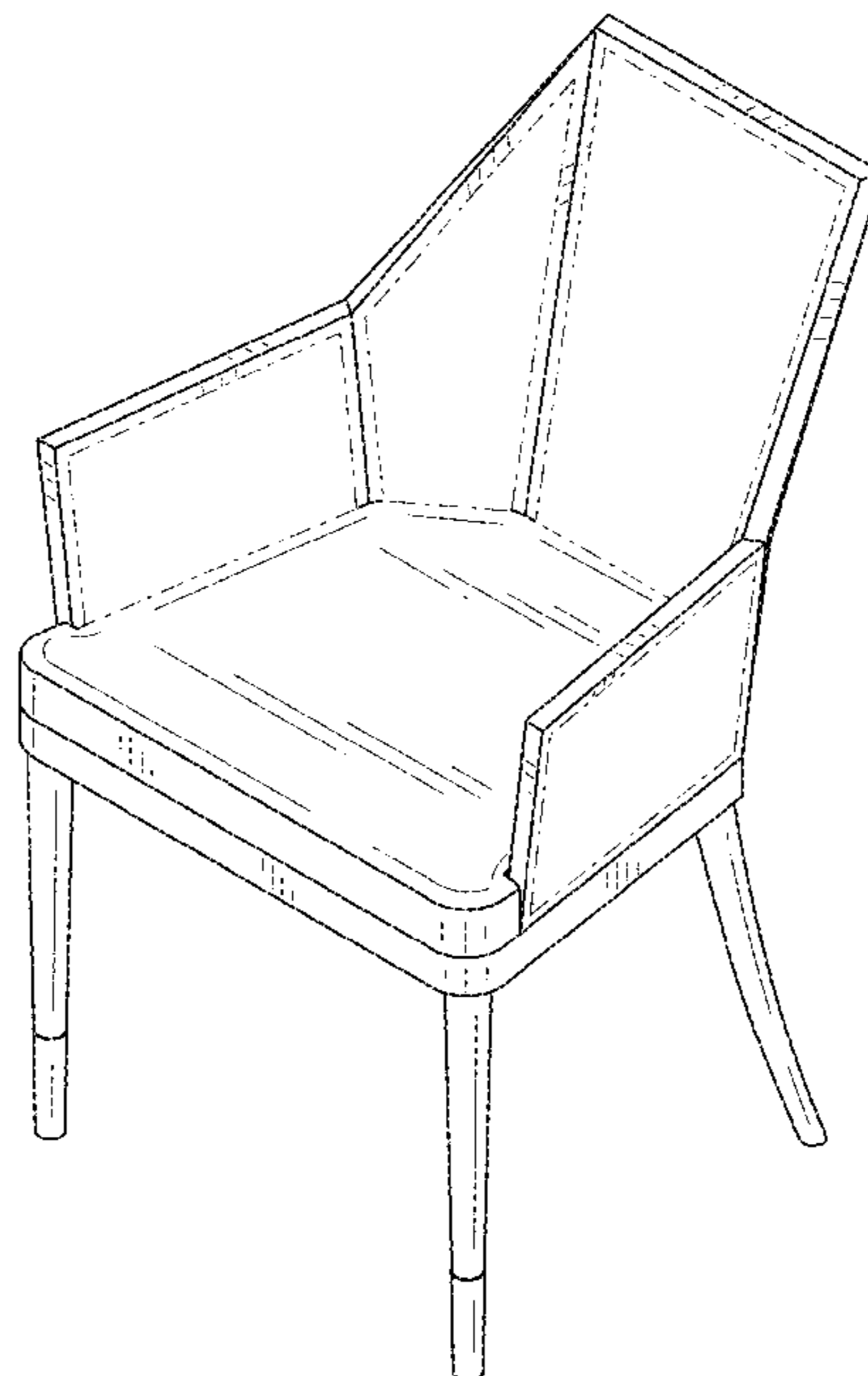
(57) **CLAIM**

I claim the ornamental design for a chair, as shown and described.

DESCRIPTION

FIG. 1 is a front perspective view of an embodiment the claimed design;
FIG. 2 is a rear perspective view of the embodiment shown in FIG. 1;
FIG. 3 is a front view of the embodiment shown in FIG. 1;
FIG. 4 is a rear view of the embodiment shown in FIG. 1;
FIG. 5 is a side view of the embodiment shown in FIG. 1;
FIG. 6 is another side view of the embodiment shown in FIG. 1; and,
FIG. 7 is a top view of the embodiment shown in FIG. 1.
The Dash-Dot-Dash broken line portion of the figure drawings is included to show portions of the article that form no part of the claimed design.

1 Claim, 7 Drawing Sheets



(56)

References Cited

OTHER PUBLICATIONS

Cane Arm Chair, posted at Mr.bakerfurniture.com, posting date Jan. 13, 2016, [online], [site visited Sep. 20, 2016]. Available from Internet, <URL: <https://mr.bakerfurniture.com/dining/seating/chairs/cane-arm-chair-mr7041#!fabric=12-865&finish=NATW>>.*

Kite Chair, posted at Behance.net, posting date Jul. 7, 2013, [online], [site visited Sep. 21, 2016]. Available from Internet, <URL: <https://www.behance.net/gallery/9698699/Kite-Chair>>.*

Dr. No Arm Chair, posted at Wayfair.com, posting date Aug. 18, 2014, [online], [site visited Sep. 21, 2016]. Available from Internet, <URL: <http://www.wayfair.com/Kartell-Dr.-No-Arm-Chair-4848-KTL1559.html>>.*

* cited by examiner

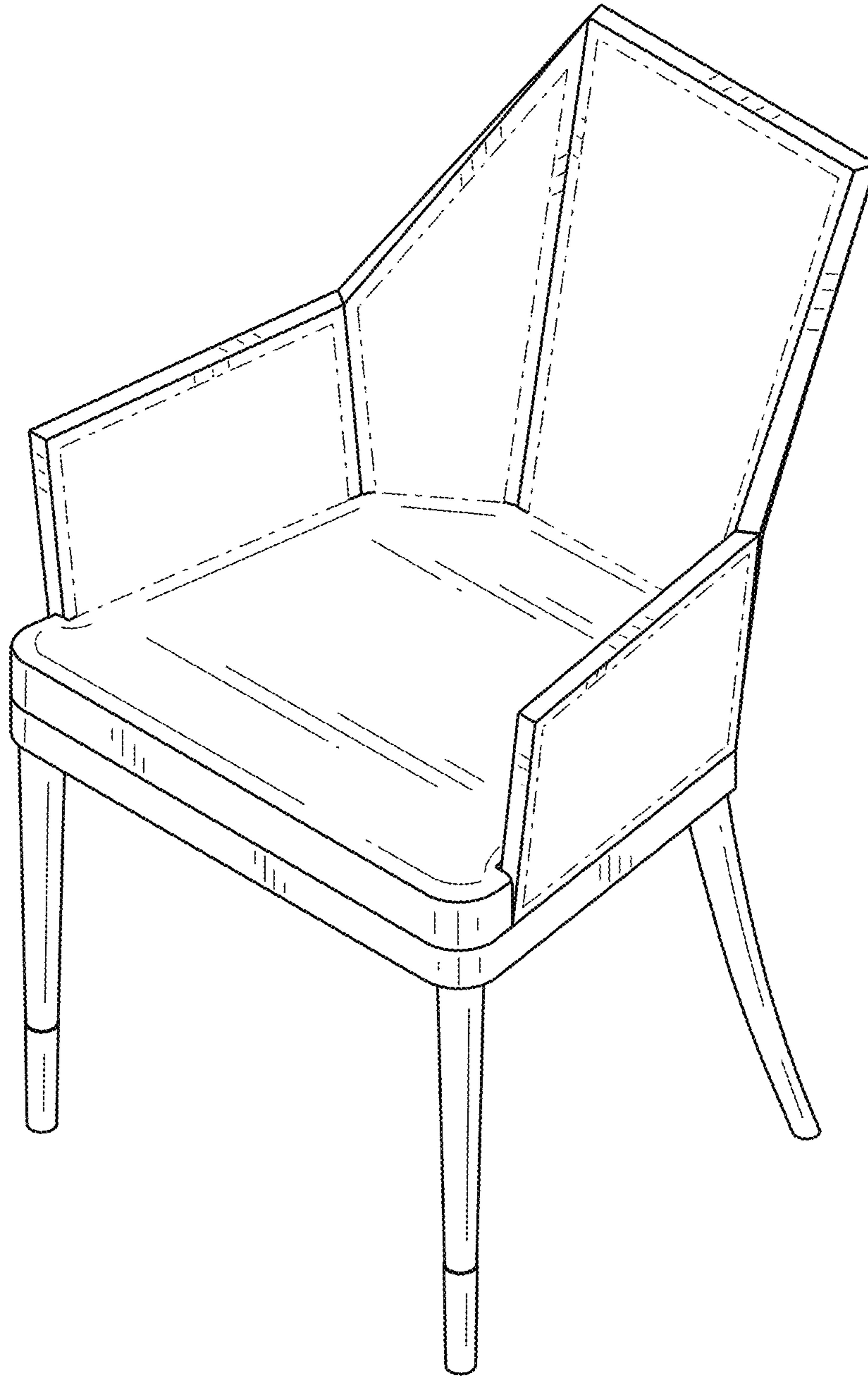


FIG. 1

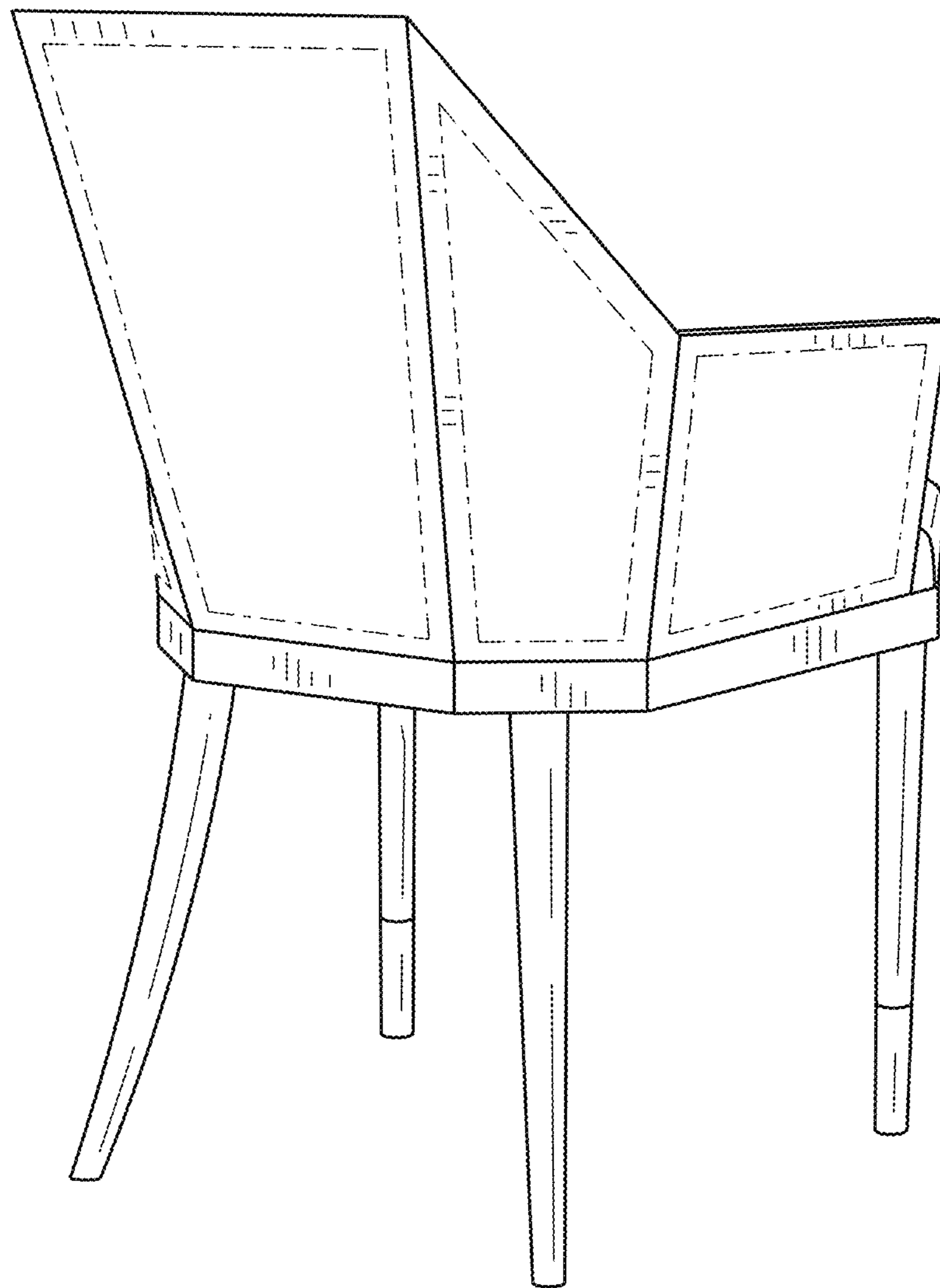


FIG. 2

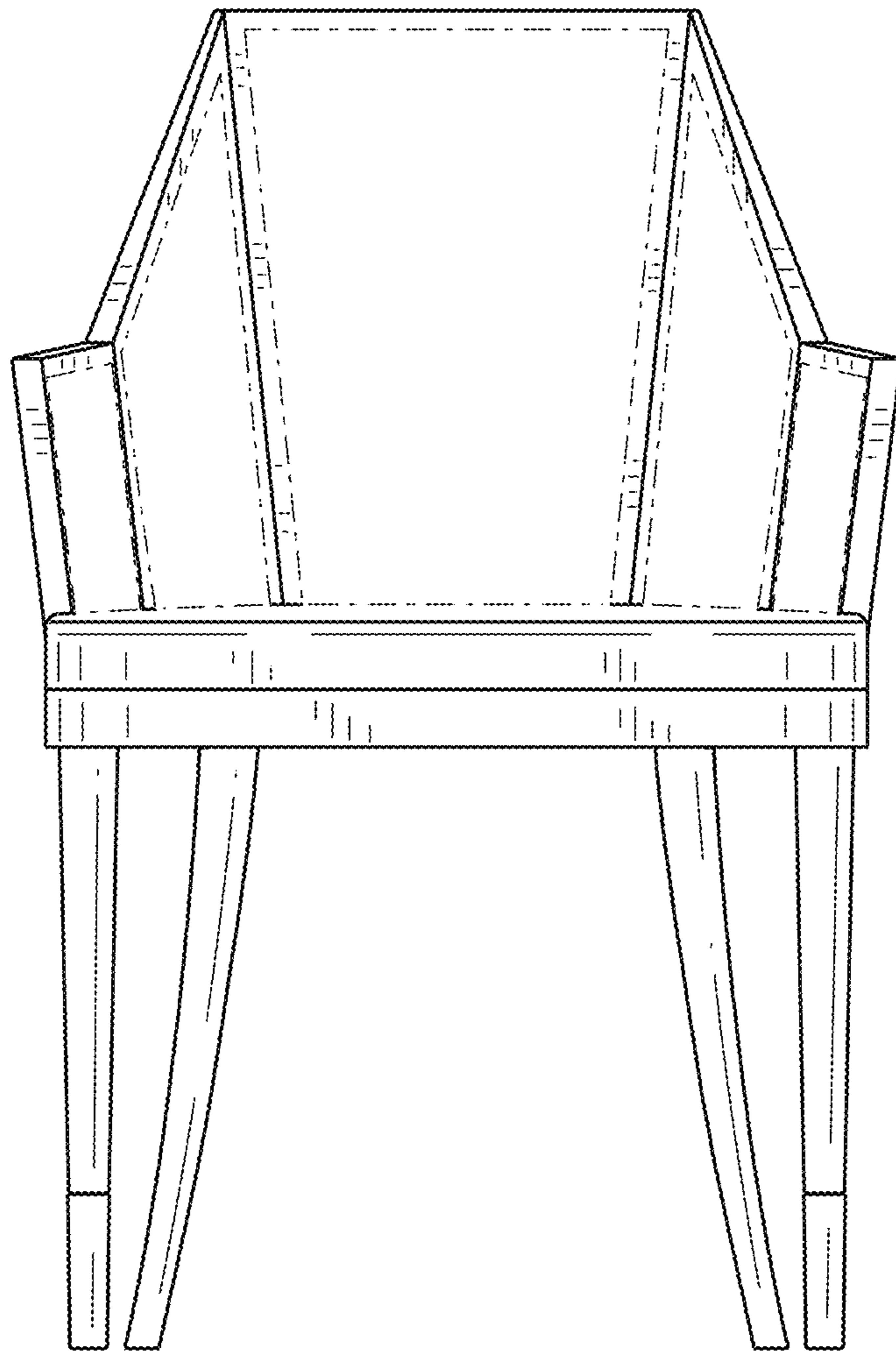


FIG. 3

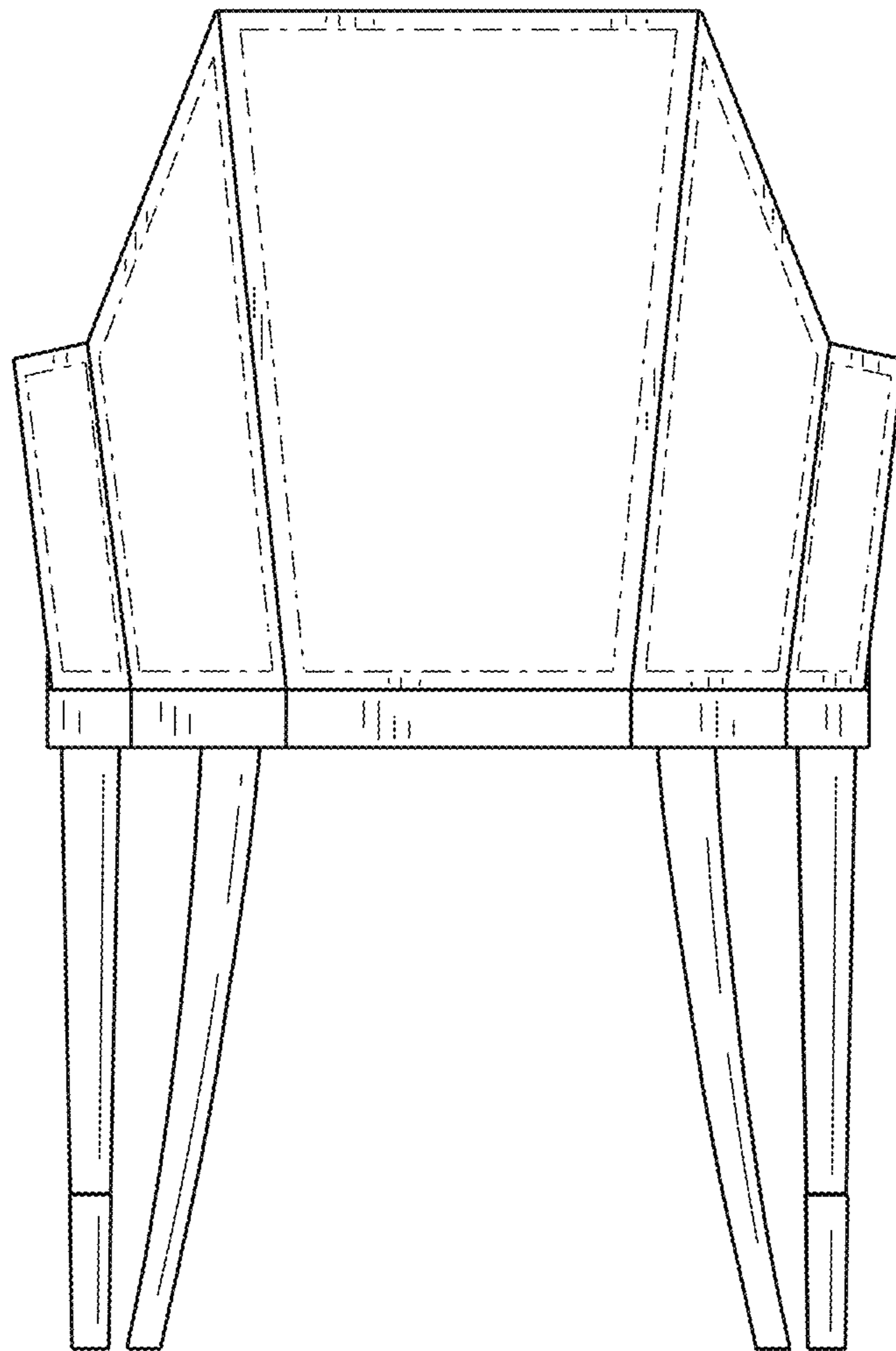


FIG. 4

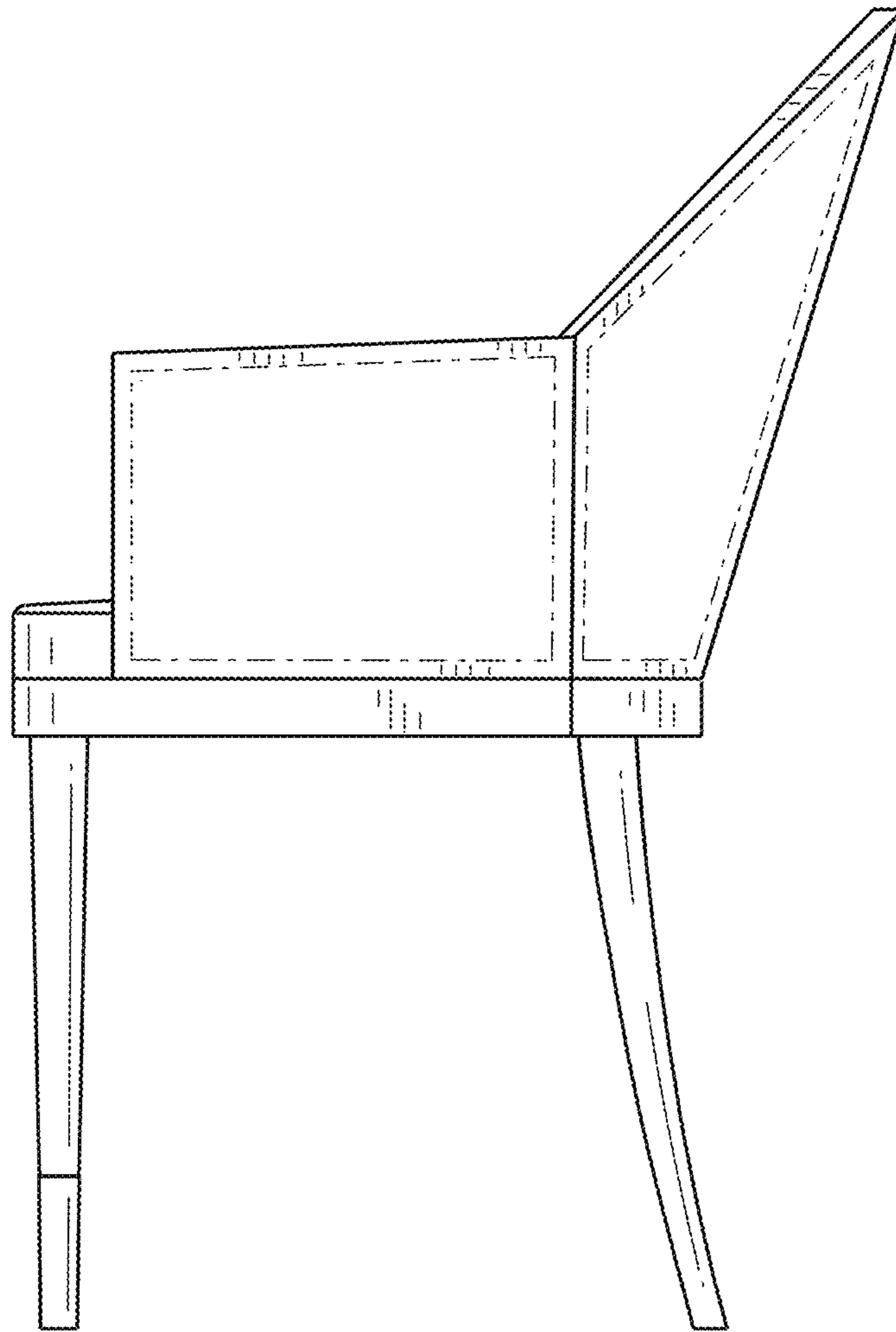


FIG. 5

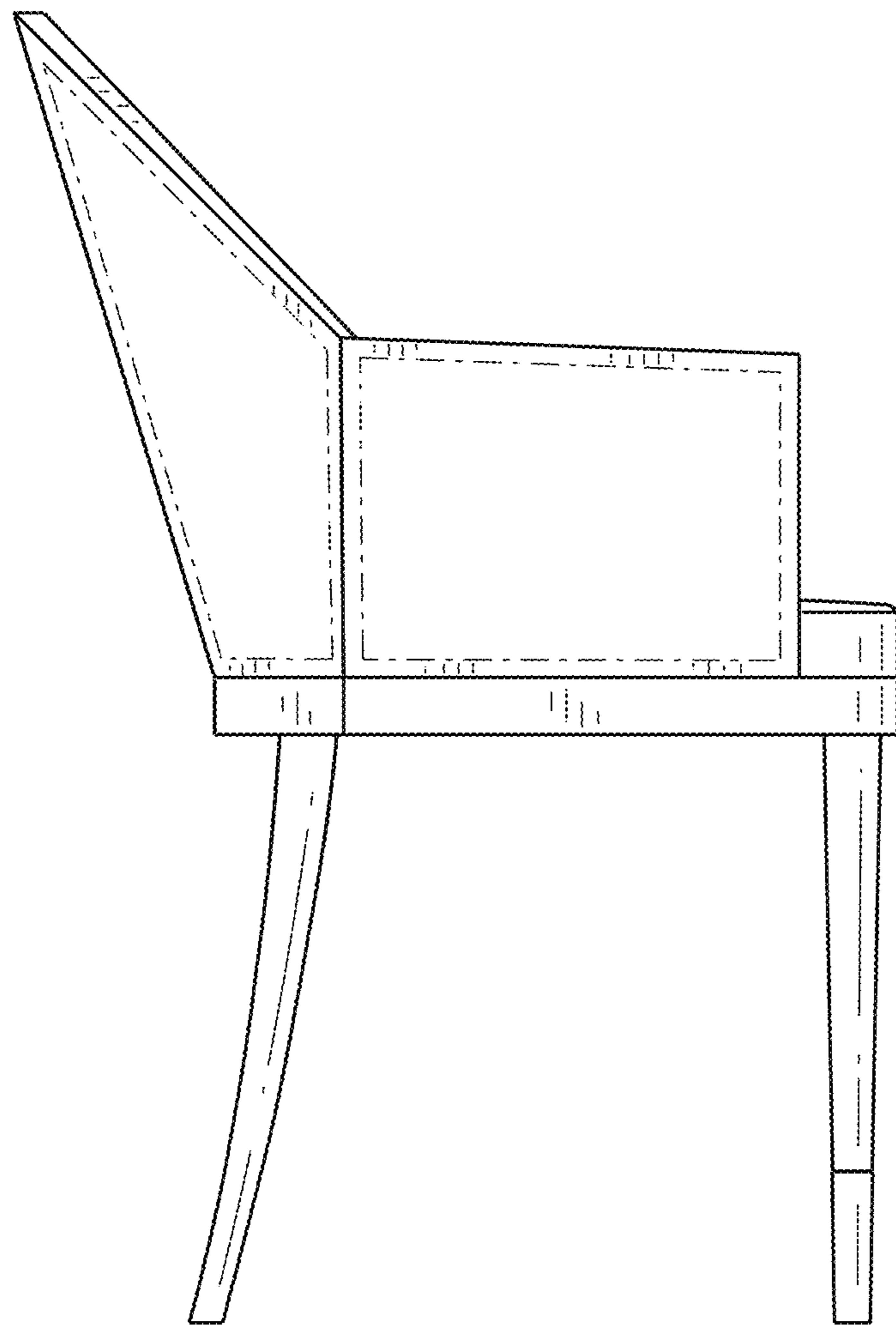


FIG. 6

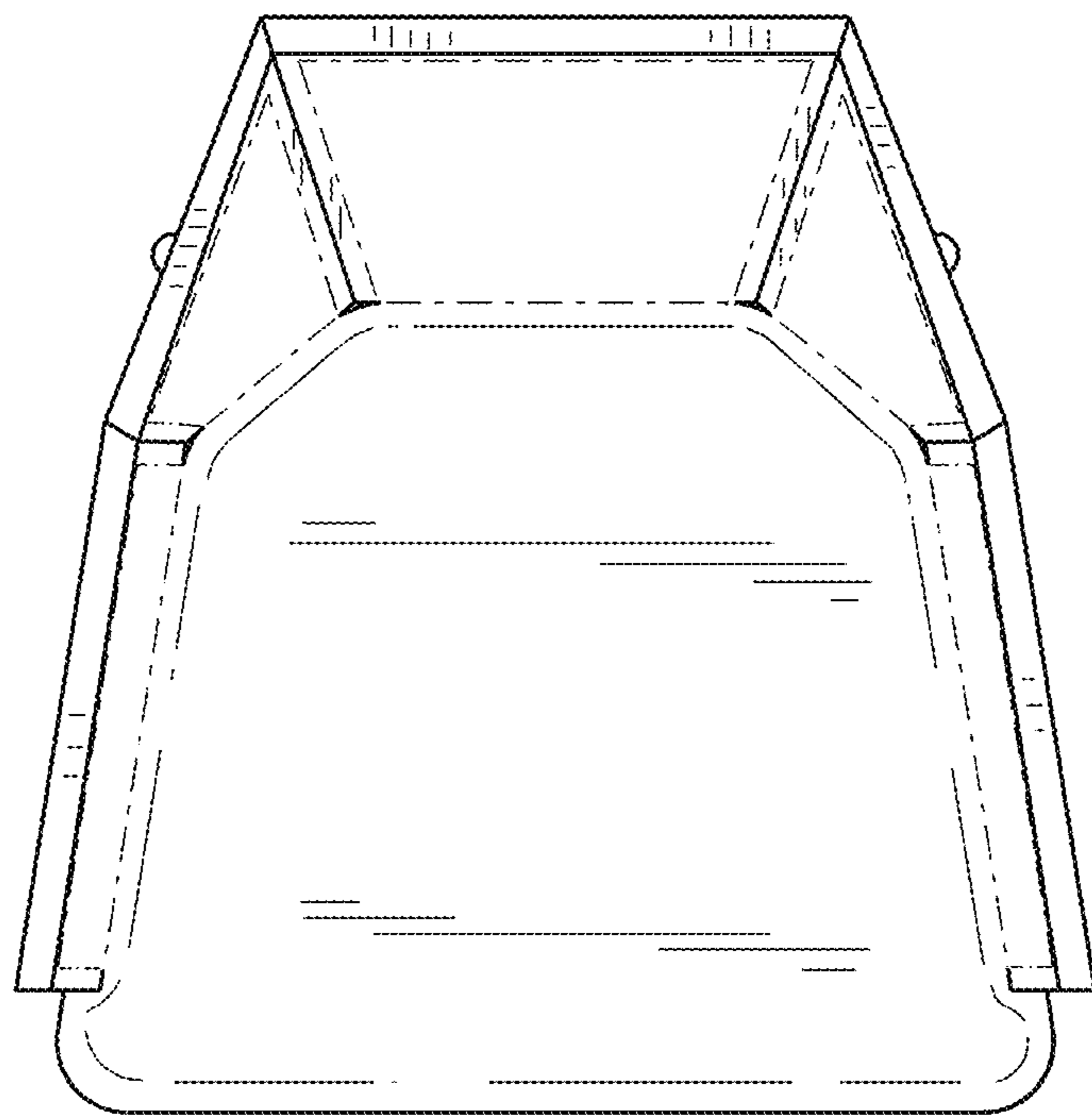


FIG. 7