



US00D791491S

(12) **United States Design Patent**
Hill

(10) **Patent No.:** **US D791,491 S**

(45) **Date of Patent:** **** Jul. 11, 2017**

(54) **BRUSH HANDLE**

(71) Applicant: **Lloyd R Hill**, Santa Ana, CA (US)

(72) Inventor: **Lloyd R Hill**, Santa Ana, CA (US)

(**) Term: **15 Years**

(21) Appl. No.: **29/548,586**

(22) Filed: **Dec. 15, 2015**

(51) **LOC (10) Cl.** **04-01**

(52) **U.S. Cl.**
USPC **D4/138; D4/119**

(58) **Field of Classification Search**

USPC D4/100, 101, 105, 106, 110, 119, 130,
D4/132, 138; D8/107, 300, 303, 313;
D24/147, 152; D28/7, 63; D32/49, 51;
15/106, 107, 143.1, 159.1, 187; 16/430
CPC .. A46B 1/00; A46B 5/00; A46B 5/008; A46B
5/0012; A46B 5/0033; A46B 5/0062;
A46B 5/02; A46B 5/021; A46B 9/04;
A46B 9/045
See application file for complete search history.

(56) **References Cited**

U.S. PATENT DOCUMENTS

375,773 A * 1/1888 Rockwell B25G 1/105
15/143.1
2,236,034 A * 3/1941 Luce A46B 9/04
15/106
D364,275 S * 11/1995 Lewkowicz D4/105
6,308,365 B1 * 10/2001 Huang A46B 5/02
15/106
D468,109 S * 1/2003 Plante D4/138
D489,533 S * 5/2004 Yost D4/106
D495,881 S * 9/2004 Berti D4/138

D558,417 S * 12/2007 Libman D32/45
D580,659 S * 11/2008 Zemel D4/132
D661,964 S * 6/2012 Pangborn D8/107

* cited by examiner

Primary Examiner — Karen E. Eldridge Powers

Assistant Examiner — Jasmine Mlinarcik

(74) *Attorney, Agent, or Firm* — Morland C. Fischer

(57) **CLAIM**

The ornamental design for a brush handle, as shown and described.

DESCRIPTION

FIG. 1 is a perspective view showing the top, left side and front of a first embodiment for a brush handle which forms my new design, the brush shown in broken lines in this and other figures being for environmental purposes only and forming no part of my design;

FIG. 2 is a top plan view thereof;

FIG. 3 is a left side elevational view thereof;

FIG. 4 is a bottom plan view thereof;

FIG. 5 is a right side elevational view thereof;

FIG. 6 is a front elevational view thereof; and

FIG. 7 is a rear elevational view thereof;

FIG. 8 is a perspective view showing the top, left side and front of a second embodiment for a brush handle which forms my new design, the brush shown in broken lines in this and other figures being for environmental purposes only and forming no part of my design;

FIG. 9 is a top plan view thereof;

FIG. 10 is a left side elevational view thereof;

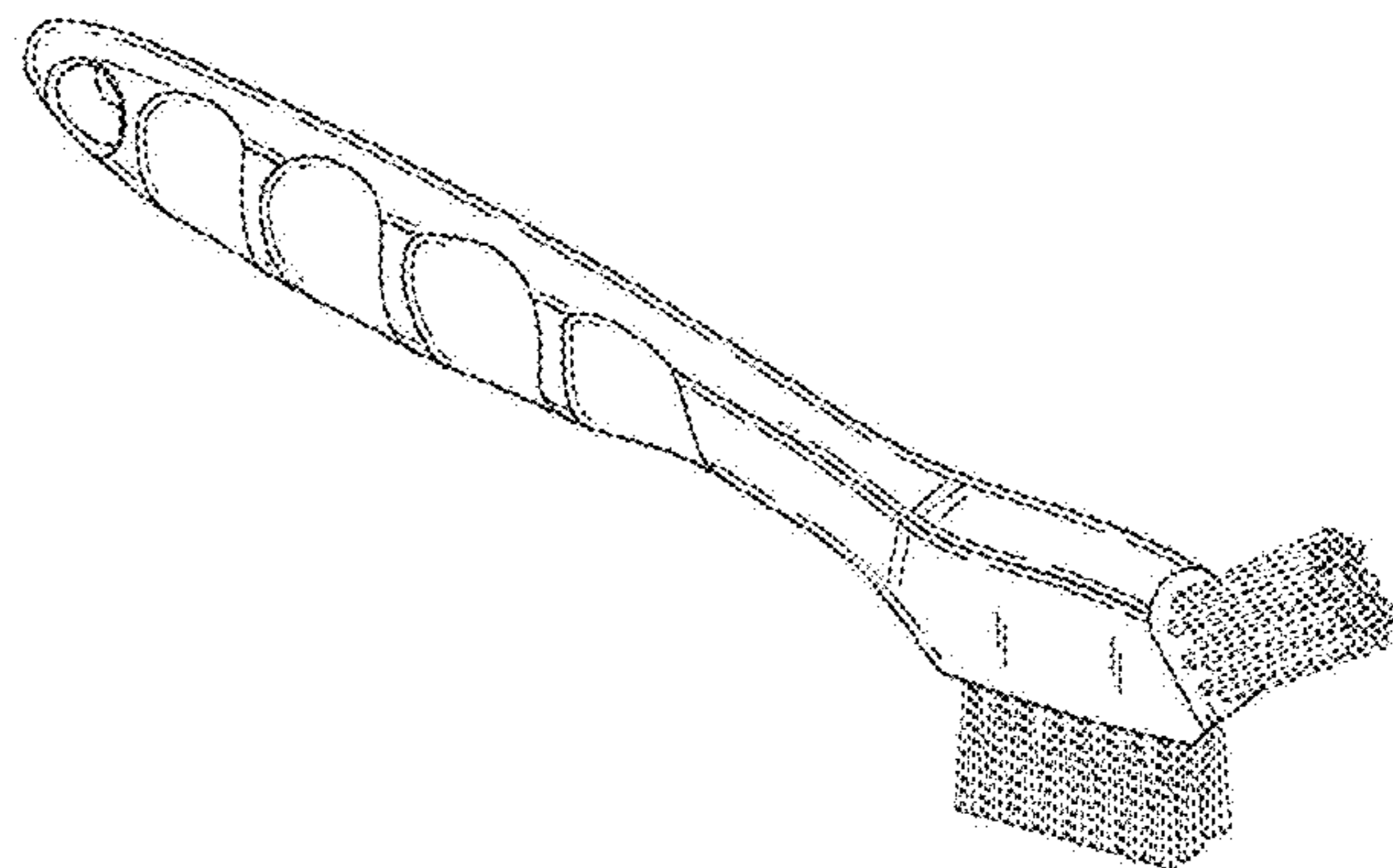
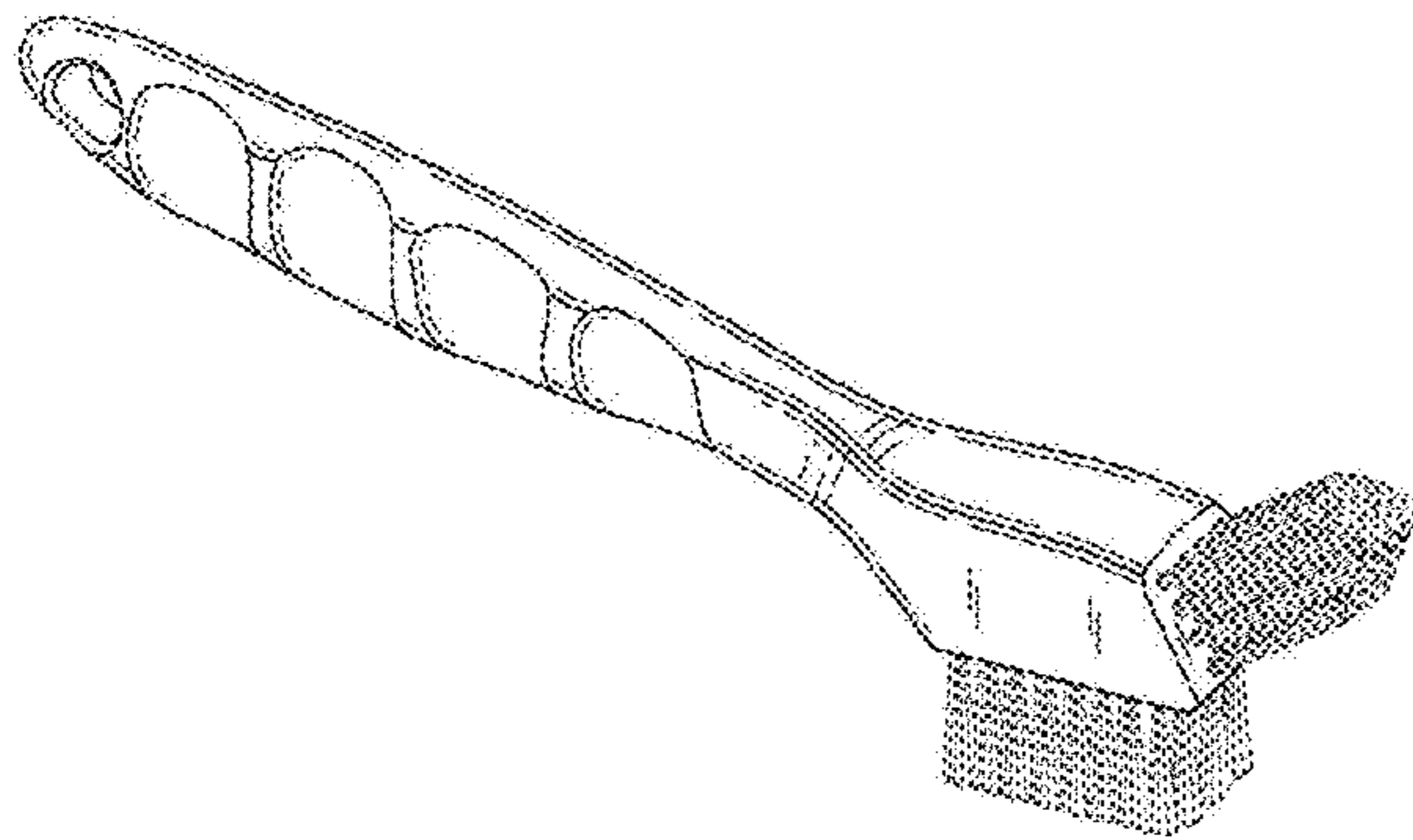
FIG. 11 is a bottom plan view thereof;

FIG. 12 is a right side elevational view thereof;

FIG. 13 is a front elevational view thereof; and

FIG. 14 is a rear elevational view thereof.

1 Claim, 6 Drawing Sheets



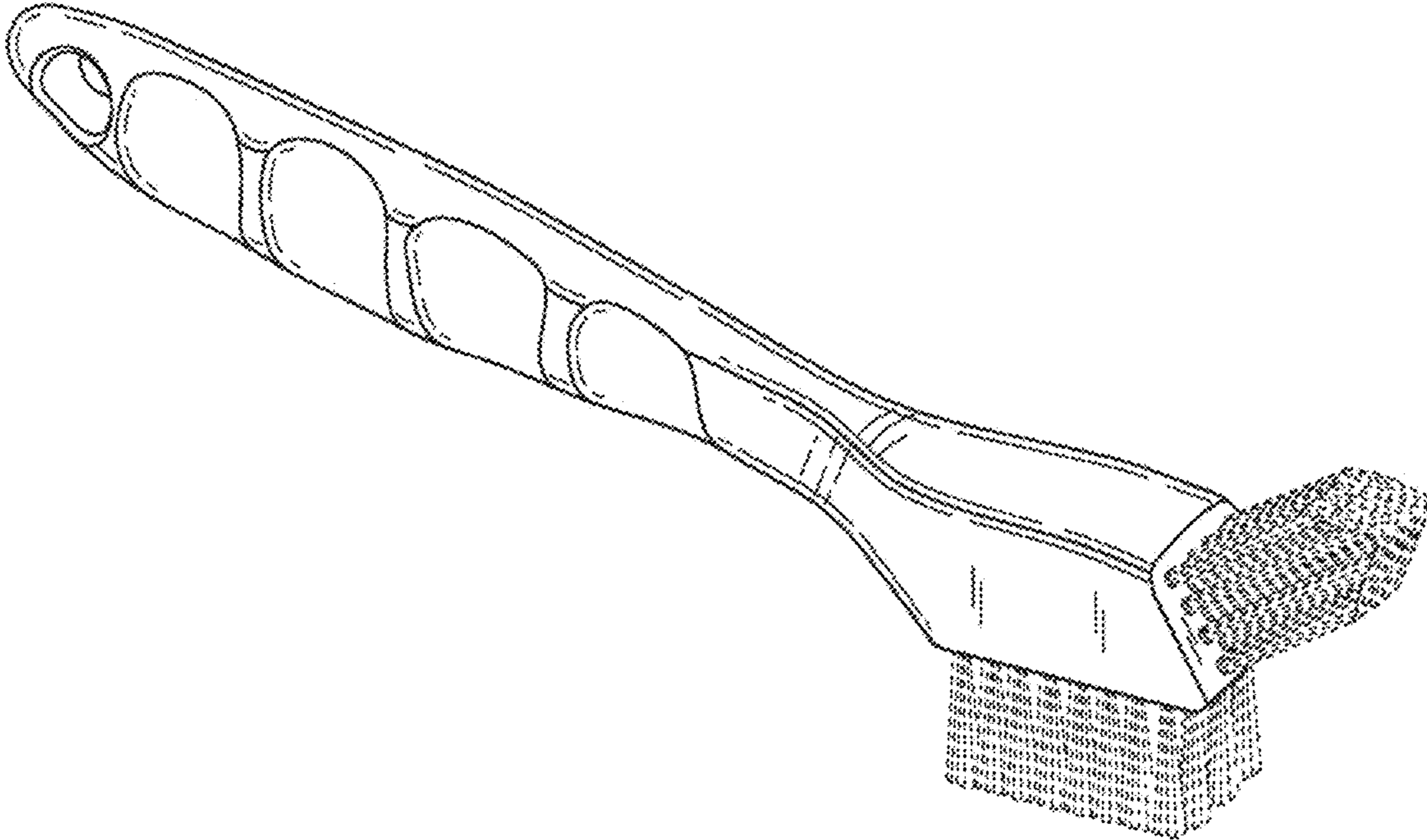


FIG. 1

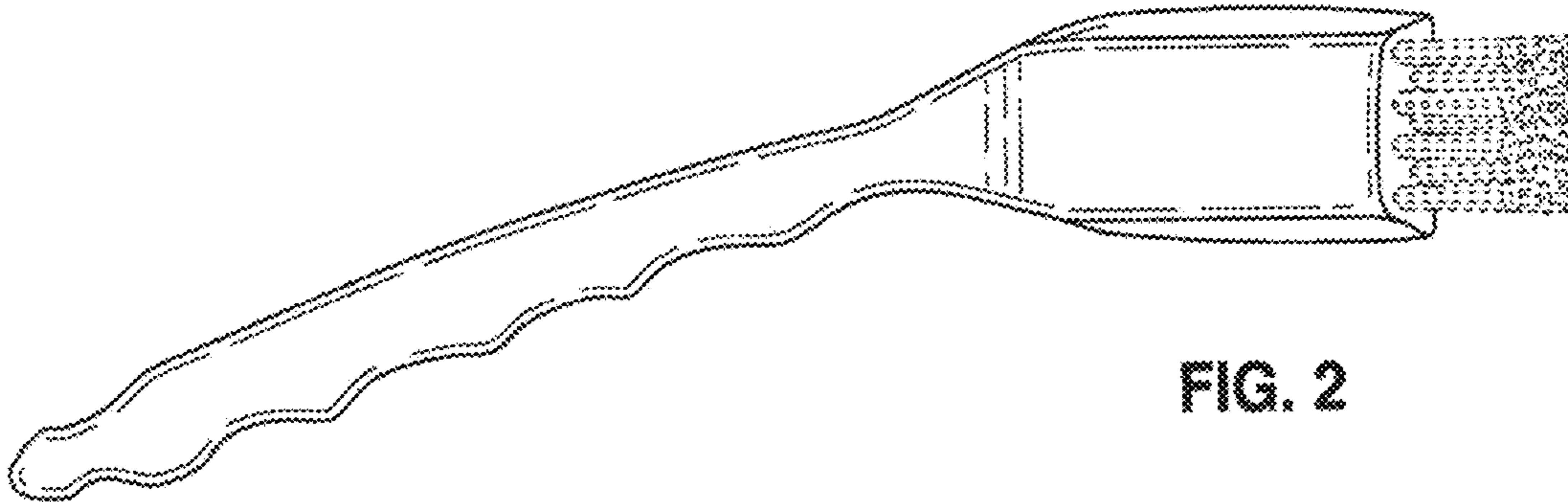


FIG. 2

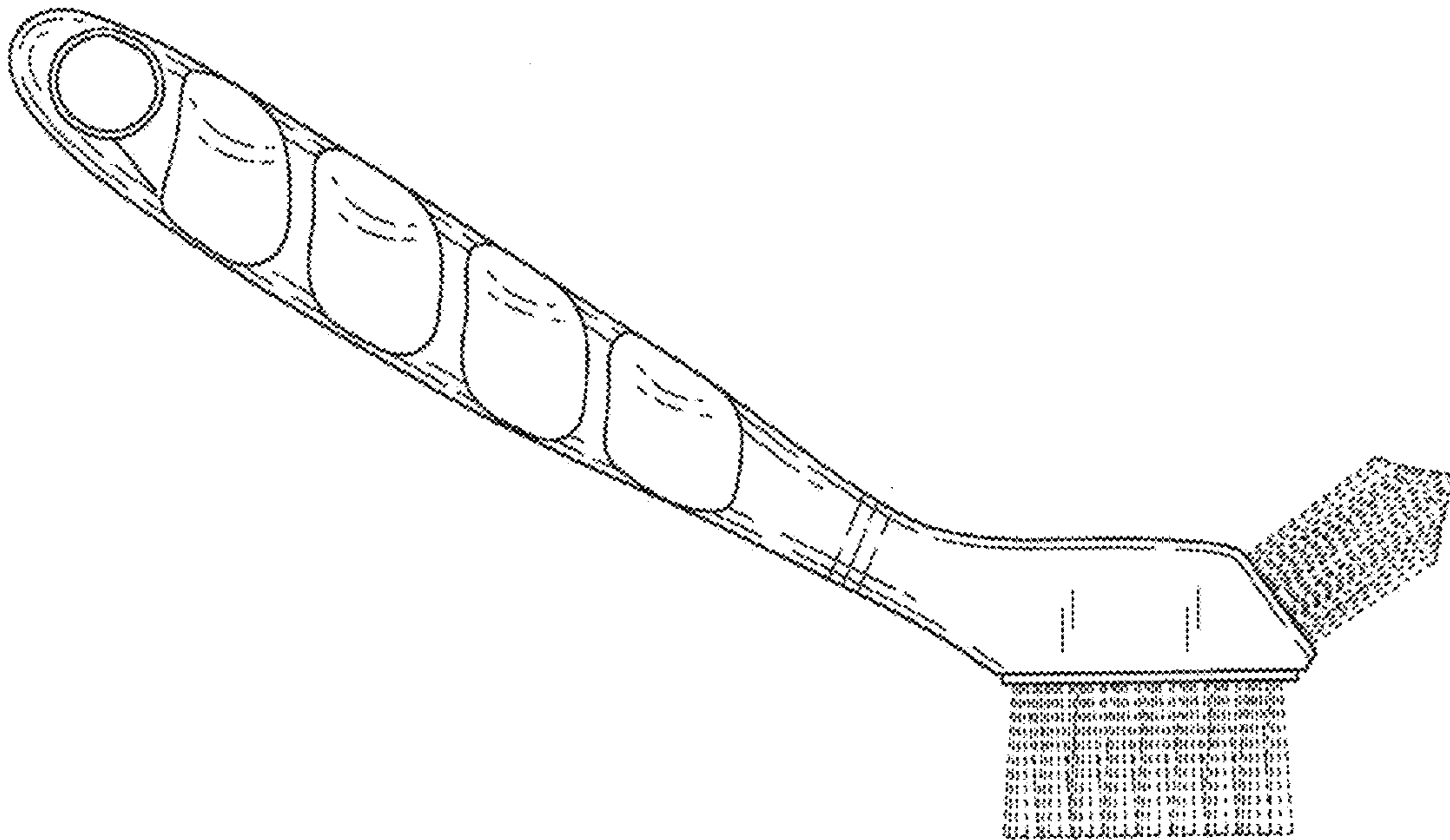


FIG. 3

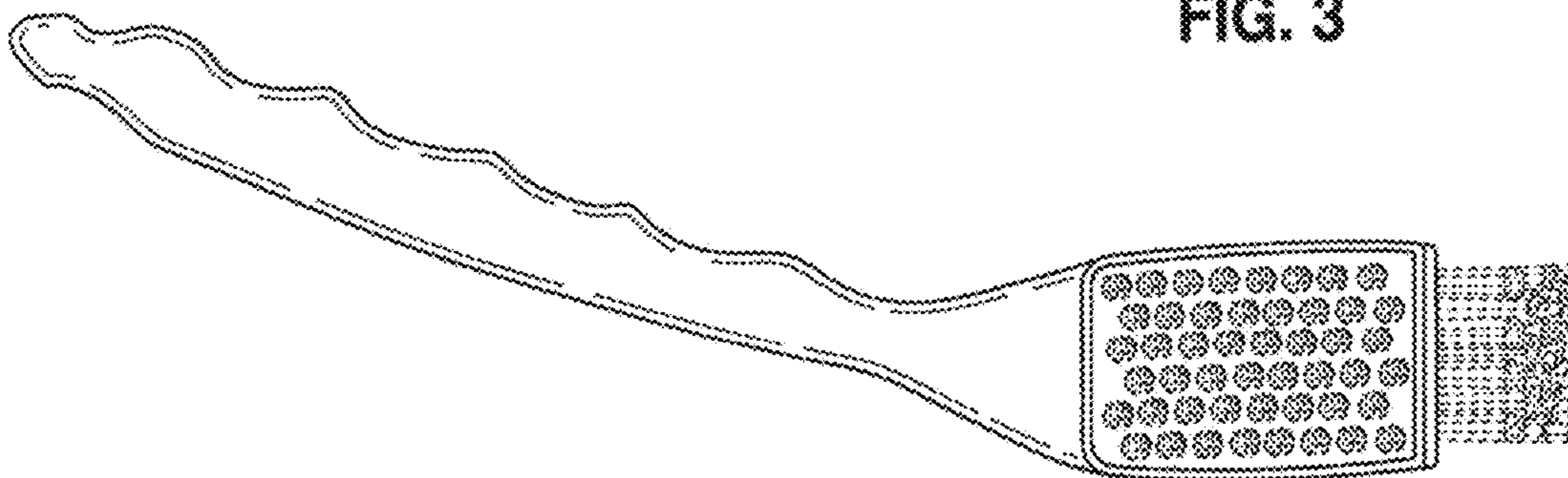


FIG. 4

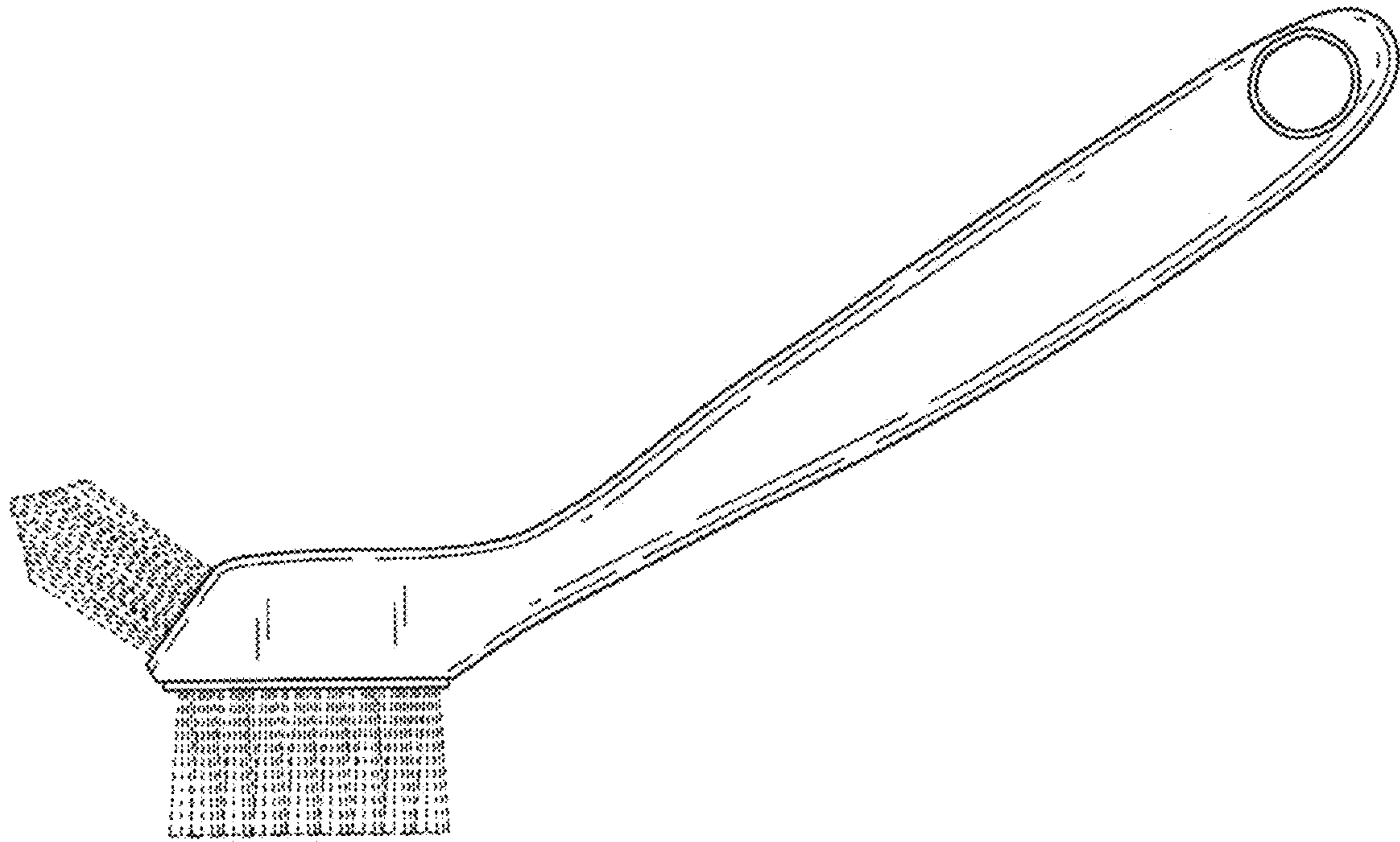


FIG. 5

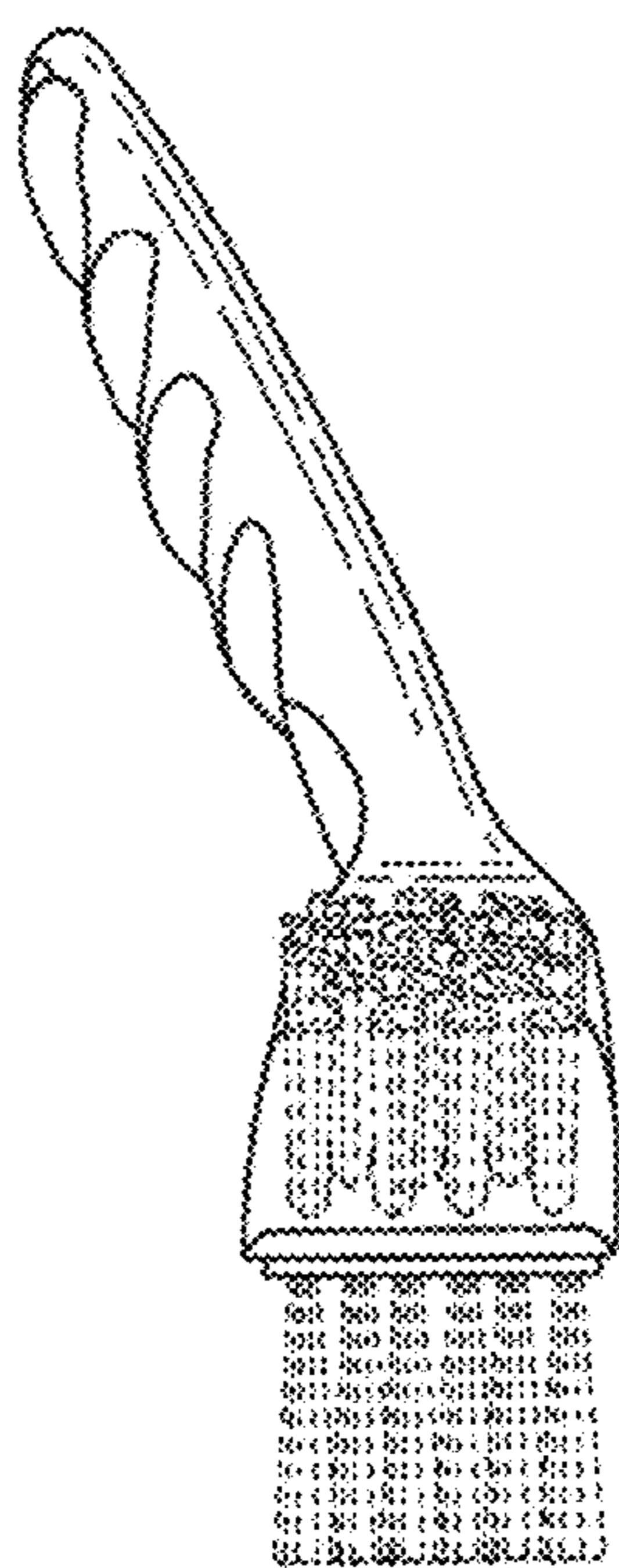


FIG. 6

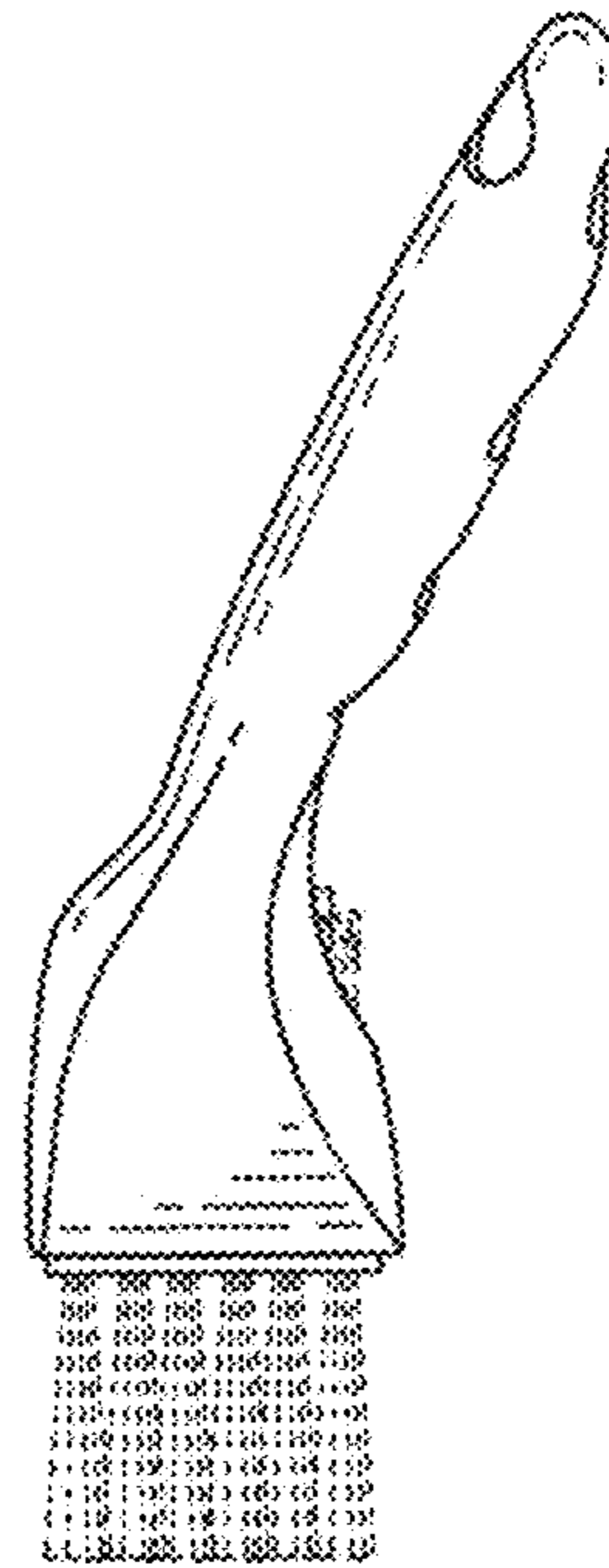


FIG. 7

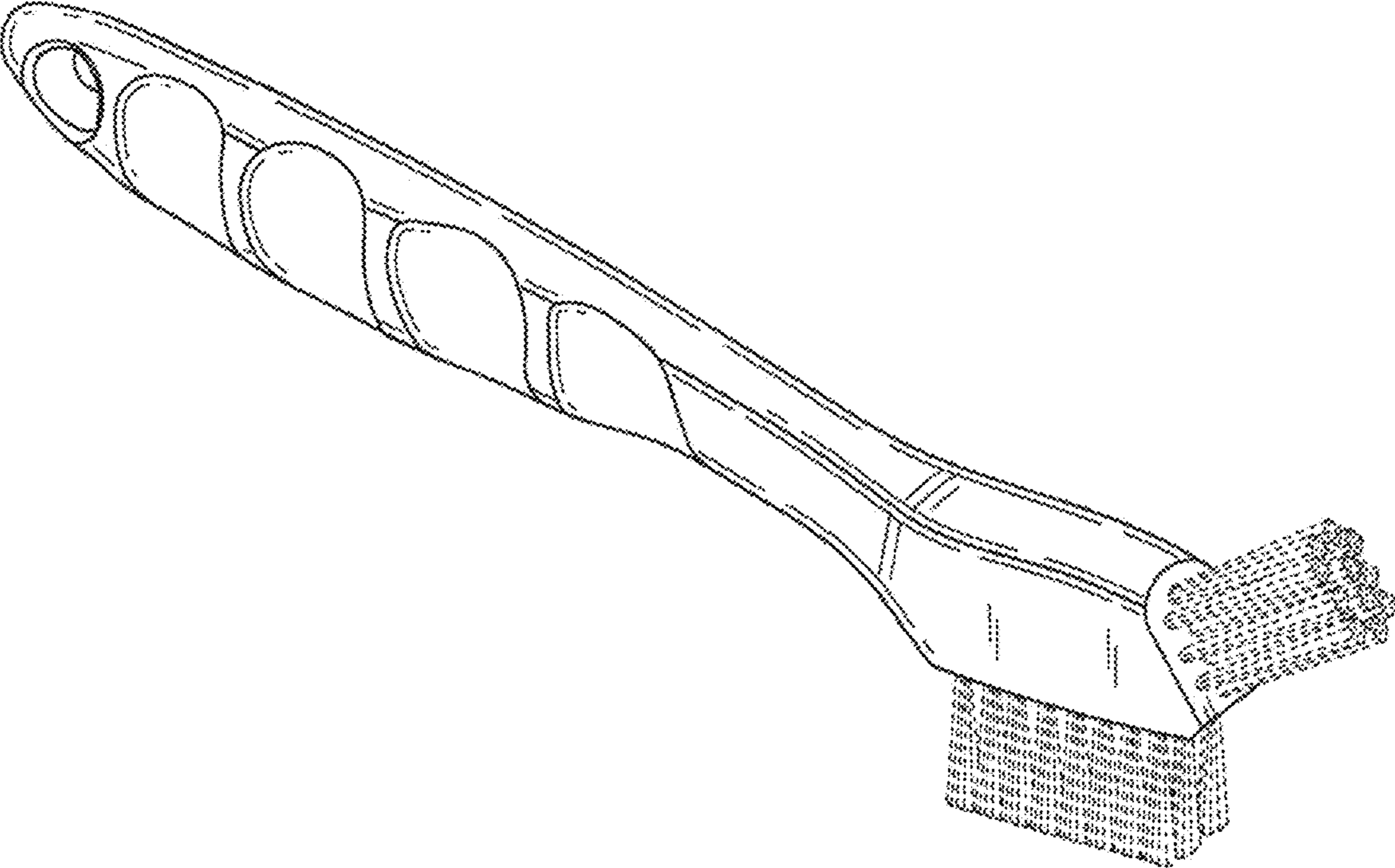


FIG. 8

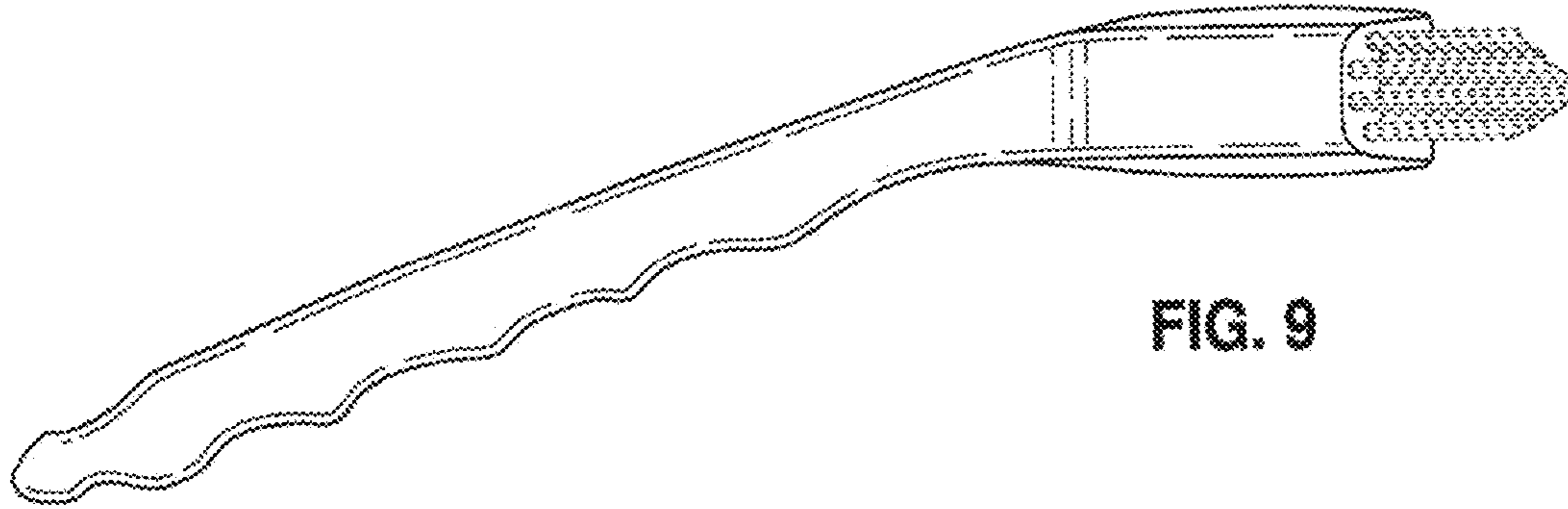


FIG. 9

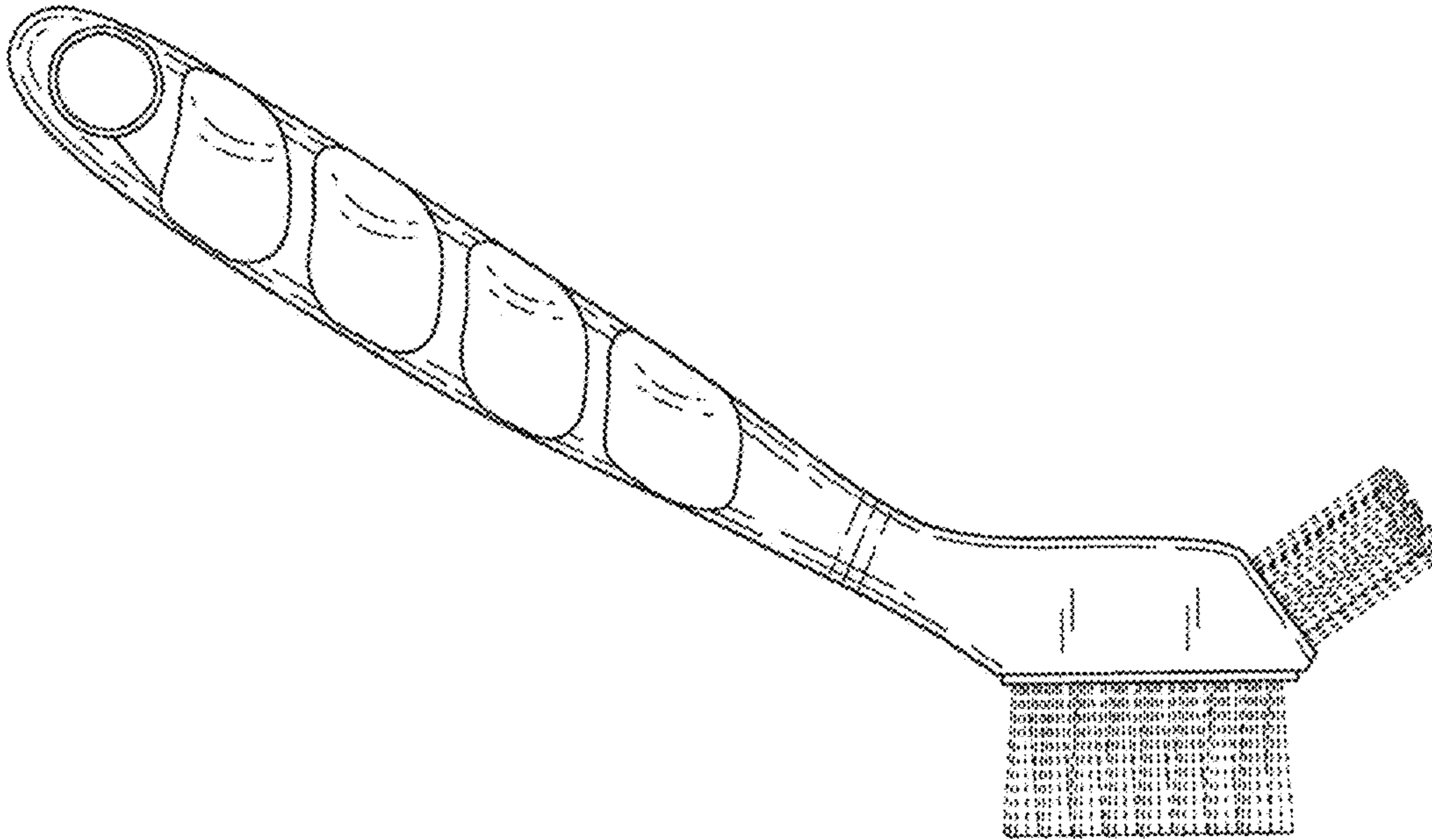


FIG. 10

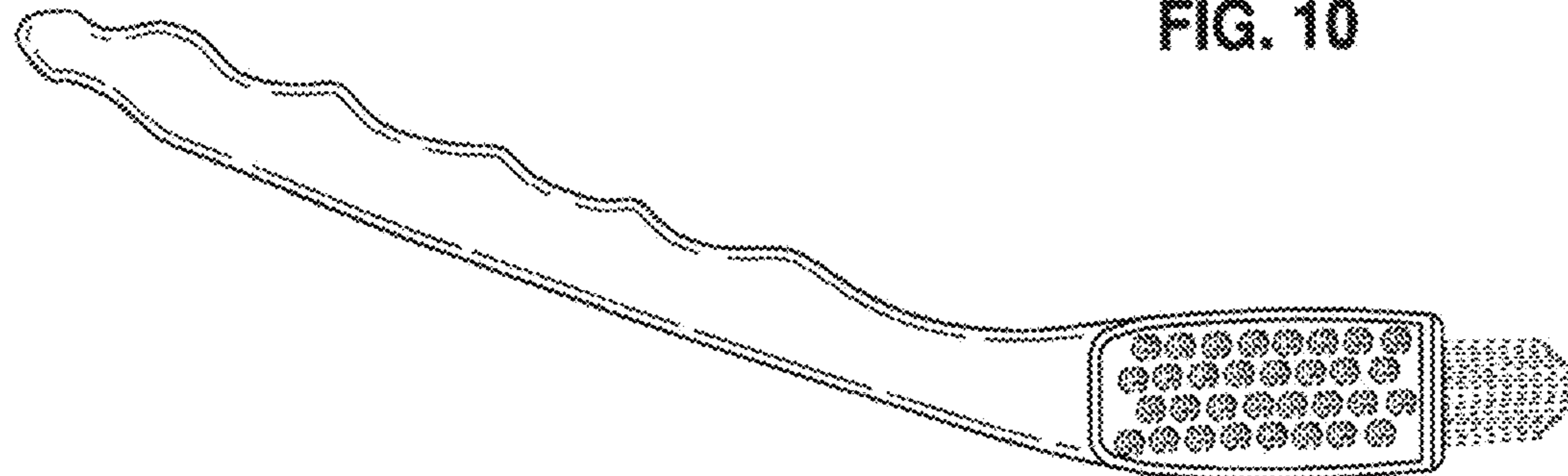


FIG. 11

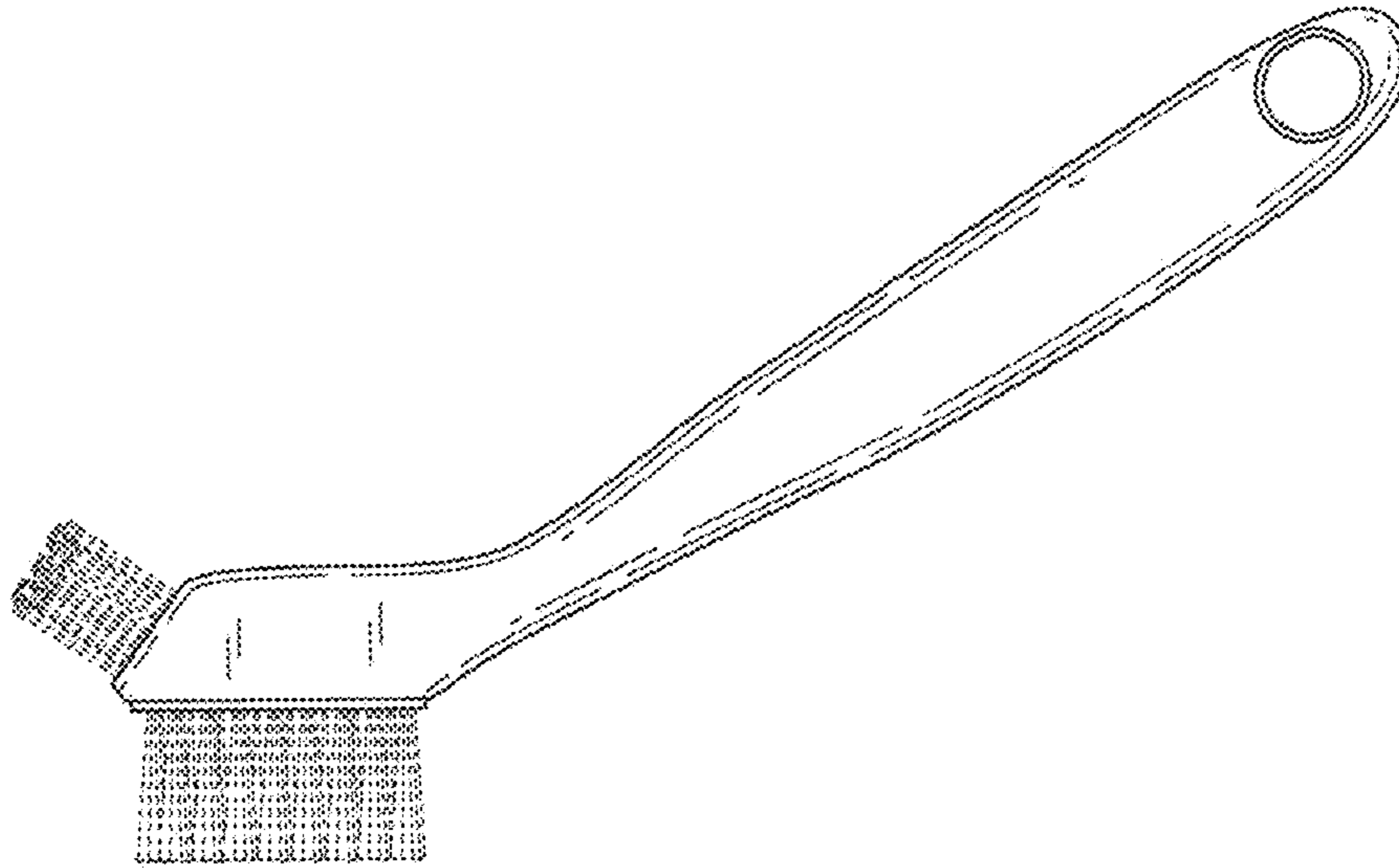


FIG. 12

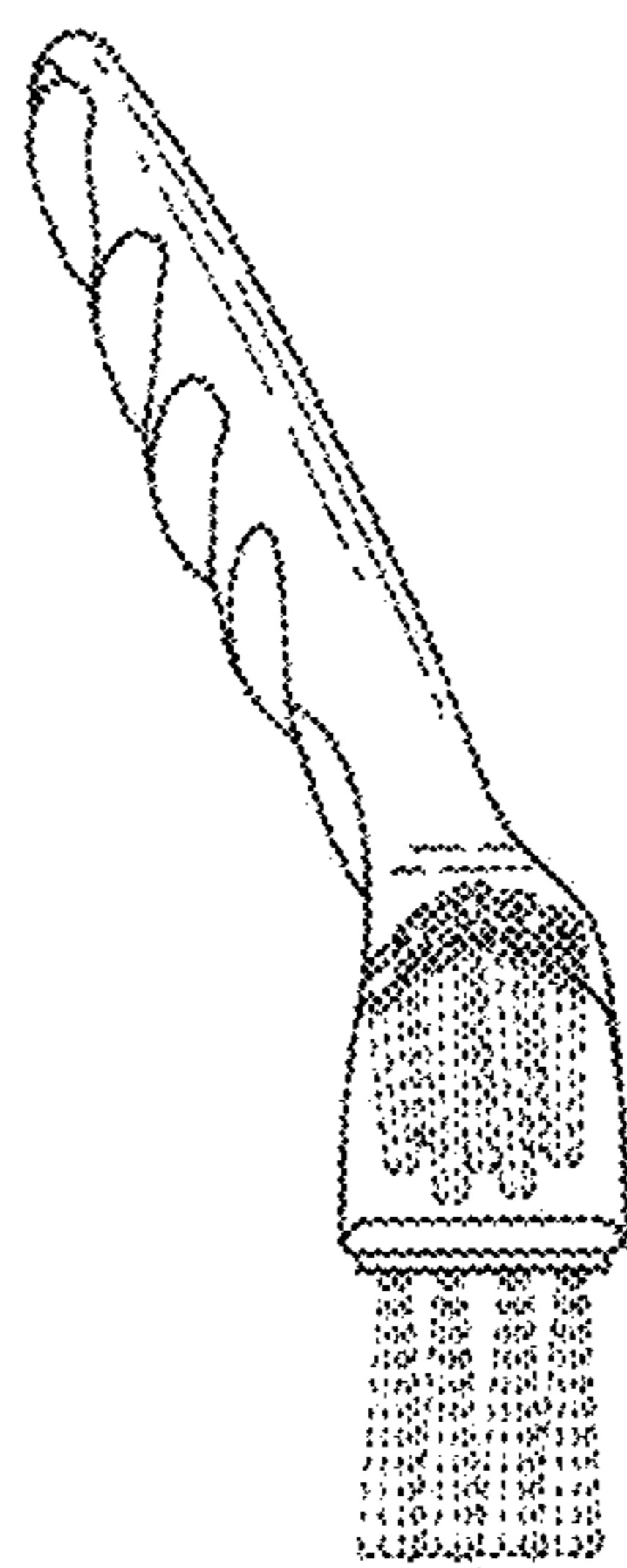


FIG. 13

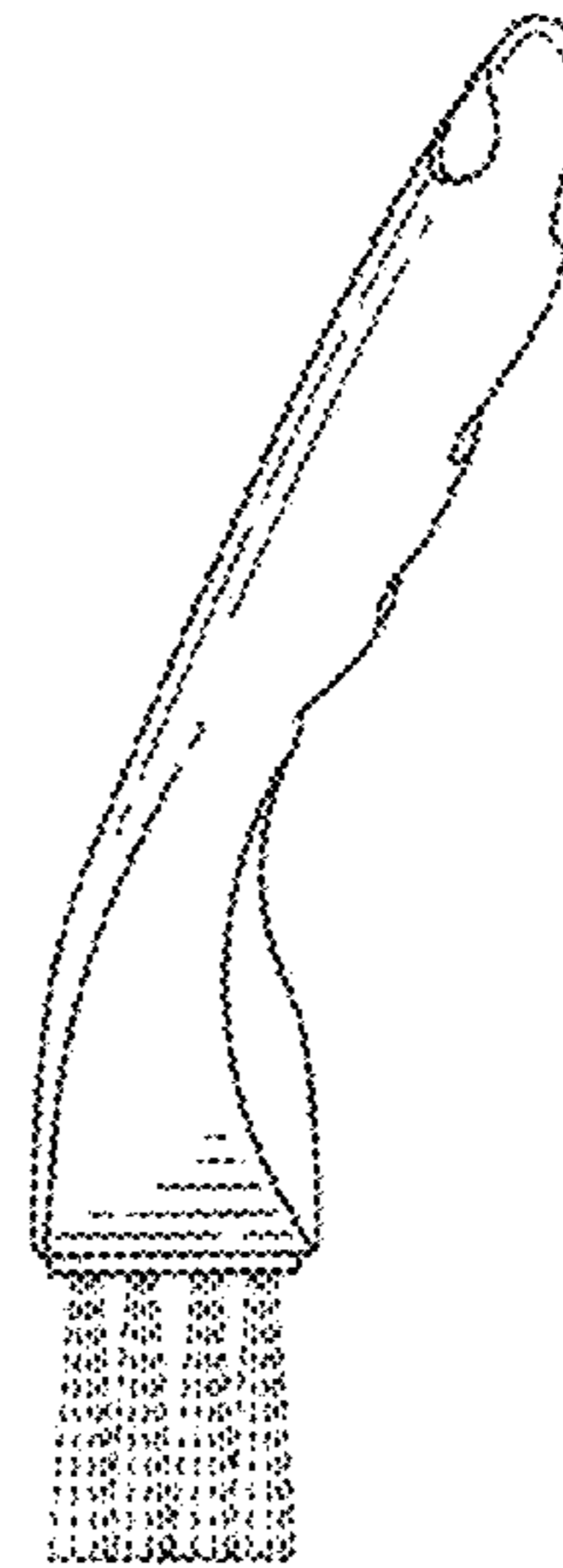


FIG. 14