



US00D791488S

(12) **United States Design Patent** (10) **Patent No.:** **US D791,488 S**
Jain (45) **Date of Patent:** **** Jul. 11, 2017**

(54) **COSMETIC BRUSH**
(71) Applicant: **Indeutsch Industries Private Limited,**
Noida (IN)
(72) Inventor: **Samir Jain,** Noida (IN)
(73) Assignee: **Indeutsch Industries Private Limited**
(IN)

(**) Term: **15 Years**

(21) Appl. No.: **29/548,886**

(22) Filed: **Dec. 17, 2015**

(30) **Foreign Application Priority Data**

Dec. 15, 2015 (EM) 002910968-0006

(51) **LOC (10) Cl.** **04-02**

(52) **U.S. Cl.**
USPC **D4/127**

(58) **Field of Classification Search**
USPC D4/102, 114, 116, 121, 127, 128, 131,
D4/132, 133, 134, 135, 138, 199; D28/7
CPC A46B 9/021; A46B 5/021; A46B 5/0095;
A46B 2200/1046; A46B 15/0087; A46B
5/00; A46B 3/02; A46B 3/12; A46D 1/00
See application file for complete search history.

(56) **References Cited**

U.S. PATENT DOCUMENTS

2,075,570 A * 3/1937 Carpenter A46B 3/02
15/160
2,202,292 A * 5/1940 Howard A46B 5/02
15/143.1
3,333,289 A * 8/1967 Maughan A46B 9/02
15/160
D249,600 S * 9/1978 Bowman D4/135
D391,671 S * 3/1998 Spencer D28/7
D450,931 S * 11/2001 Mink D4/135
D503,853 S * 4/2005 Vickerman D4/135

D562,566 S * 2/2008 Mink D4/135
7,416,080 B1 * 8/2008 Langer A45D 33/00
206/15.2
D637,404 S * 5/2011 Wang D4/135
8,074,666 B2 * 12/2011 Piao A45C 11/008
132/313
8,256,058 B2 * 9/2012 Telwar A46B 3/08
15/160

(Continued)

FOREIGN PATENT DOCUMENTS

EM 002910968-0006 * 12/2015
EM 002910968-0007 * 12/2015
EM 002910968-0008 * 12/2015

Primary Examiner — Karen E Eldridge Powers

(74) *Attorney, Agent, or Firm* — Katten Muchin
Rosenman LLP

(57) **CLAIM**

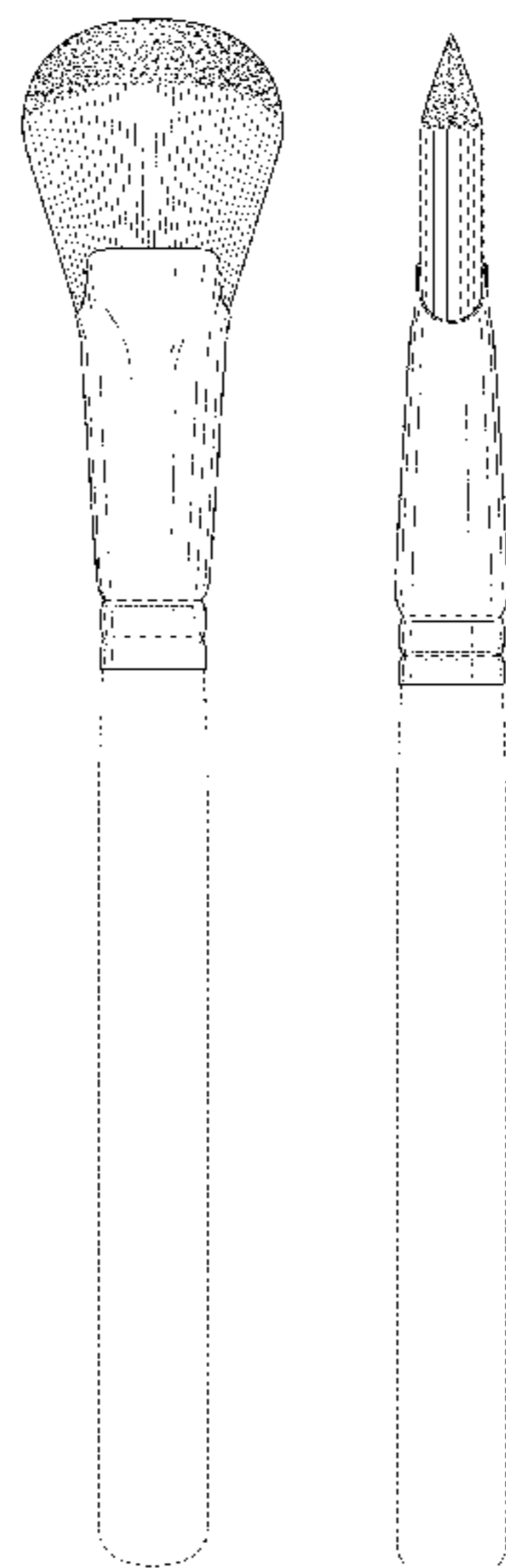
The ornamental design for the cosmetic brush, as shown and described.

DESCRIPTION

FIG. 1 is a front perspective view of a cosmetic brush of the present invention;
FIG. 2 is a frontal view of the cosmetic brush of the present invention;
FIG. 3 is a rear view of the cosmetic brush of the present invention;
FIG. 4 is a first side view of the cosmetic brush of the present invention;
FIG. 5 is a second side view of the cosmetic brush of the present invention;
FIG. 6 is a top view of the cosmetic brush of the present invention; and,
FIG. 7 is a bottom view of the cosmetic brush of the present invention.

The broken lines in the drawings represent unclaimed subject matter and form no part of the claim.

1 Claim, 4 Drawing Sheets



(56)

References Cited

U.S. PATENT DOCUMENTS

9,326,595	B2 *	5/2016	Lim	A46B 15/0055
2006/0123576	A1 *	6/2006	Howard	A46B 9/021
					15/195
2012/0298130	A1 *	11/2012	Telwar	A46B 3/08
					132/317
2014/0332027	A1 *	11/2014	Lim	A46B 9/021
					132/320
2015/0027496	A1 *	1/2015	Xavier	A46B 17/06
					134/6
2015/0053233	A1 *	2/2015	Lim	A45D 40/00
					132/218
2016/0066681	A1 *	3/2016	Xavier	A46B 9/021
					15/207.2

* cited by examiner

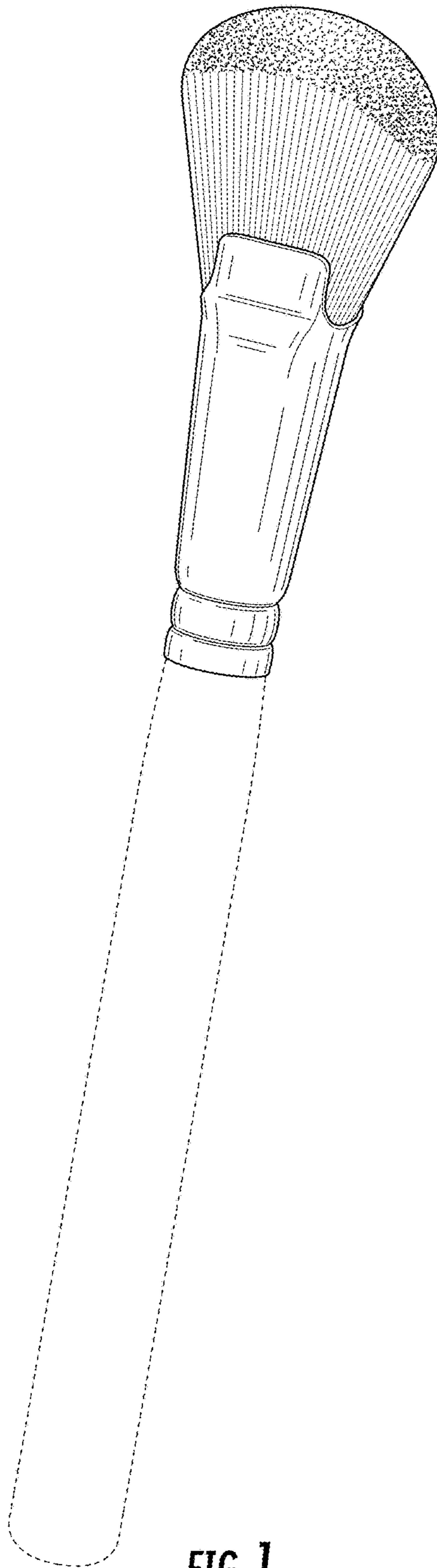


FIG. 1

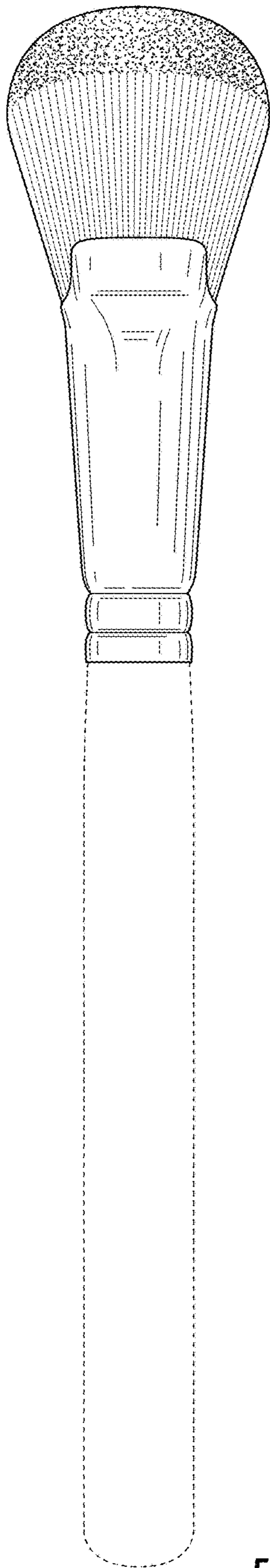


FIG. 2

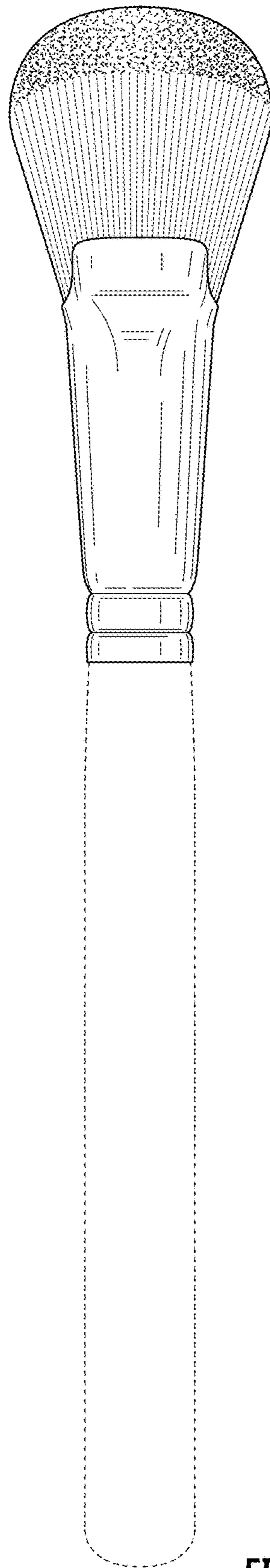


FIG. 3

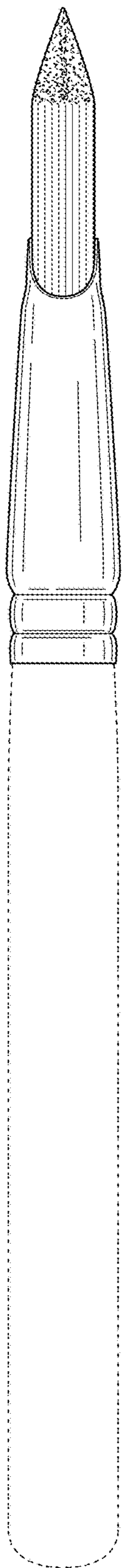


FIG. 4

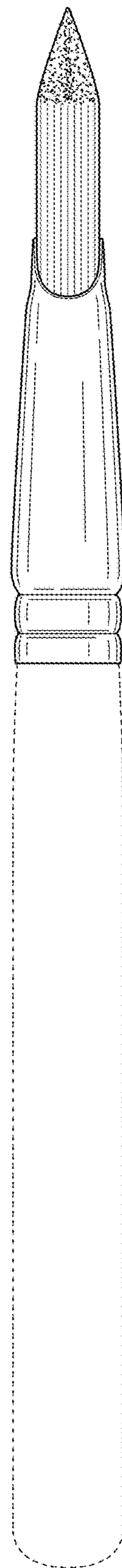


FIG. 5

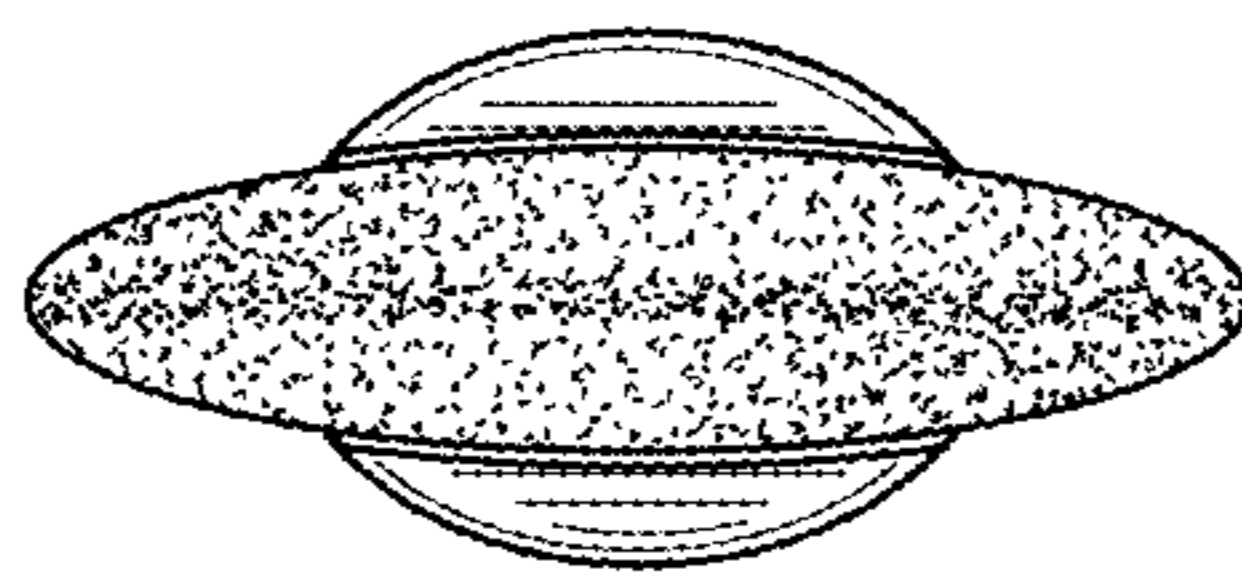


FIG. 6

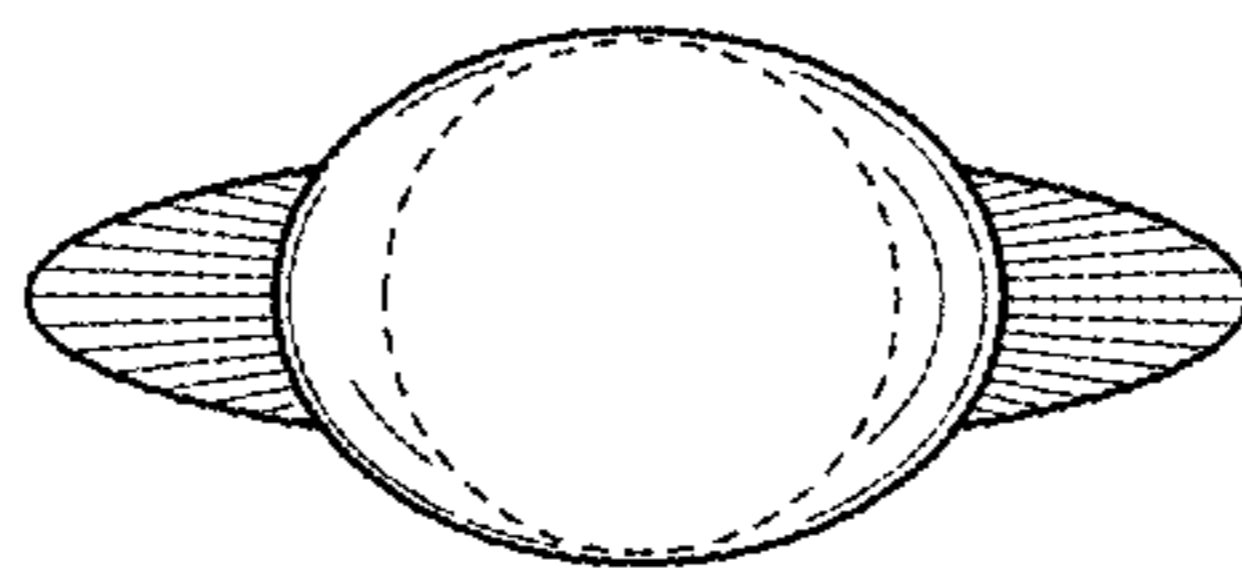


FIG. 7