



US00D791487S

(12) **United States Design Patent** (10) **Patent No.:** **US D791,487 S**
Ganzmann (45) **Date of Patent:** **** Jul. 11, 2017**

(54) **SHOE BRUSH**

(71) Applicant: **FRANK & CO. KG**, Schönau Im Schwarzwald (DE)

(72) Inventor: **Stefan Ganzmann**, Schönau (DE)

(**) Term: **15 Years**

(21) Appl. No.: **35/500,719**

(22) Filed: **Sep. 18, 2015**

(80) **Hague Agreement Data**

Int. Filing Date: **Sep. 18, 2015**

Int. Reg. No.: **DM/088048**

Int. Reg. Date: **Sep. 18, 2015**

Int. Reg. Pub. Date: **Mar. 18, 2016**

(51) **LOC (10) Cl.** **04-01**

(52) **U.S. Cl.**

USPC **D4/116**

(58) **Field of Classification Search**

USPC D4/100–102, 104, 108–113, 116, 117, D4/119, 121, 127–135, 137, 138, 199

CPC A46B 11/0017; A46B 2200/1033; A46B 7/042; A46B 9/021; A46B 2200/1046; A46B 9/06; A46B 17/02; A46B 2200/202; A46B 5/0016; A46B 13/001; A46B 3/005; A46B 5/021; A46B 2200/1053; A46B 2200/106; A46B 15/00; A46B 15/0085; A46B 3/20; A46B 9/025

See application file for complete search history.

(56) **References Cited**

U.S. PATENT DOCUMENTS

52,787	A *	2/1866	Gissinger	A46B 5/002
				15/107
378,784	A *	2/1888	Foster et al.	A46B 9/02
				15/106
668,993	A *	2/1901	Le Compte	A46B 15/0081
				15/107
2,190,277	A *	2/1940	Viragh	A46B 9/026
				138/38
5,596,785	A *	1/1997	Park	A46B 7/023
				15/114
6,112,357	A *	9/2000	Halloran	A46B 17/02
				15/106
D628,391	S *	12/2010	Knight	D4/120

* cited by examiner

Primary Examiner — Michael A Pratt

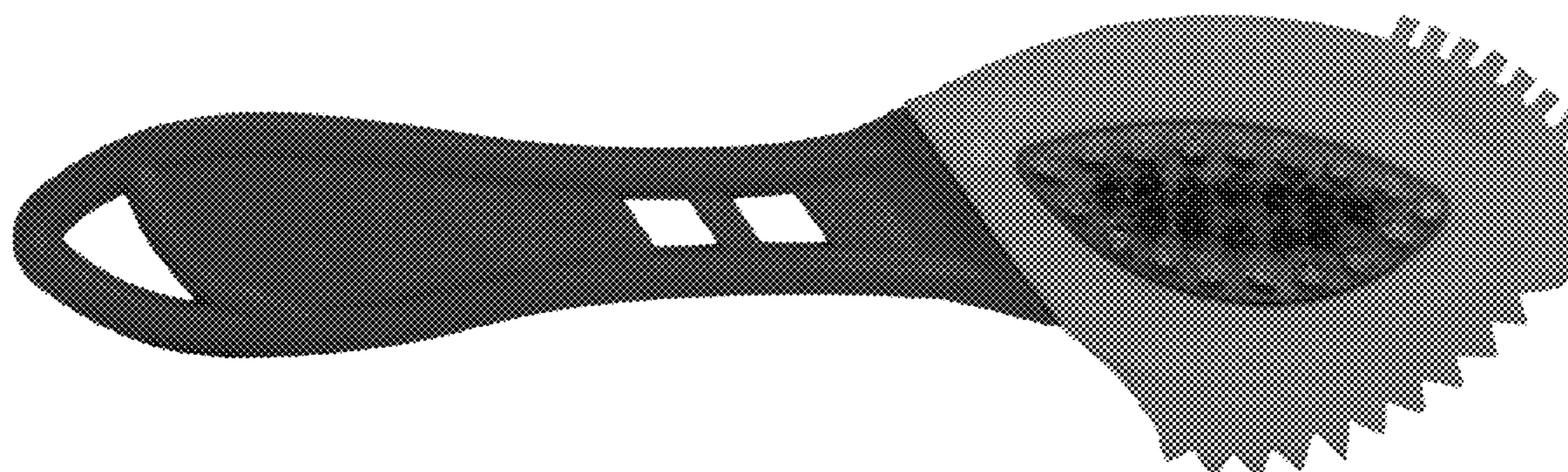
(57) **CLAIM**

The ornamental design for a shoe brush, as shown and described.

DESCRIPTION

1. Shoe brush
- 1.1 is a top view
- 1.2 is a perspective view
- 1.3 is a bottom view
- 1.4 is side view
- 1.5 is a side view
- 1.6 is an end view
- 1.7 is an end view

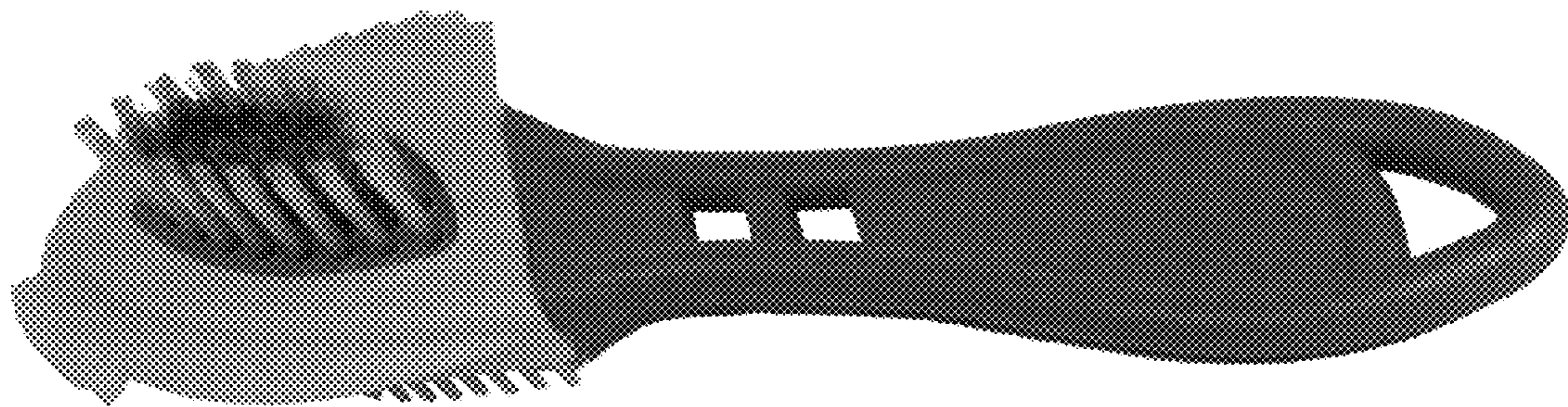
1 Claim, 7 Drawing Sheets



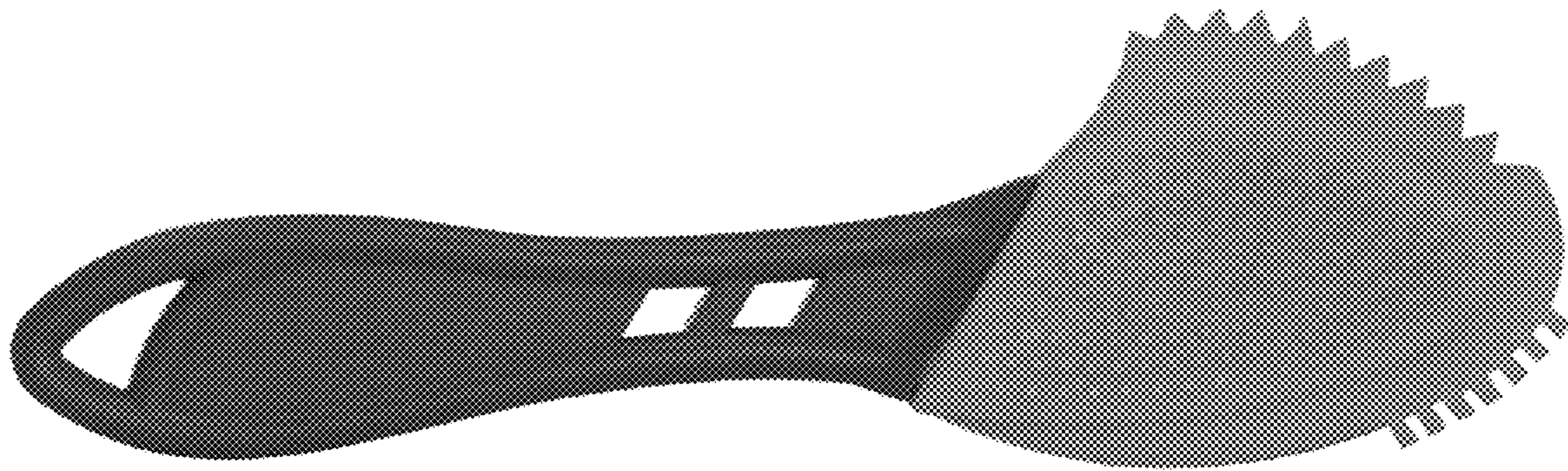
1.1



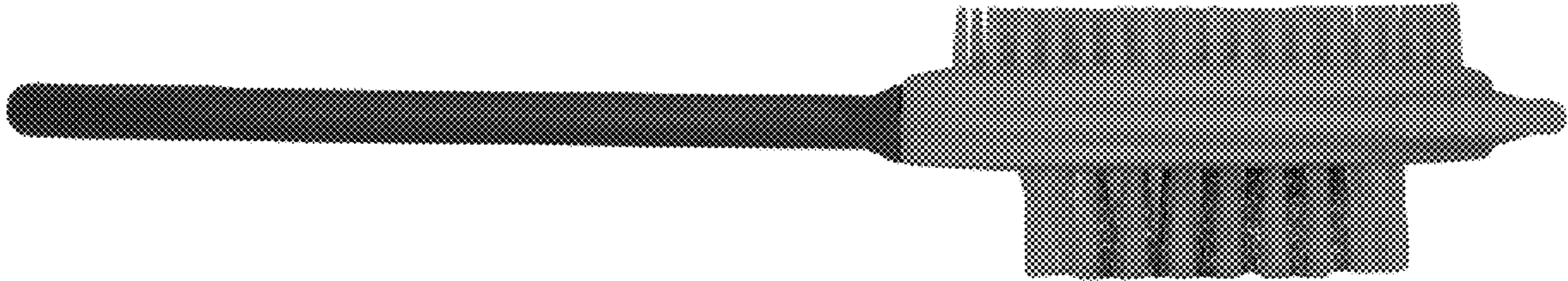
1.2



1.3



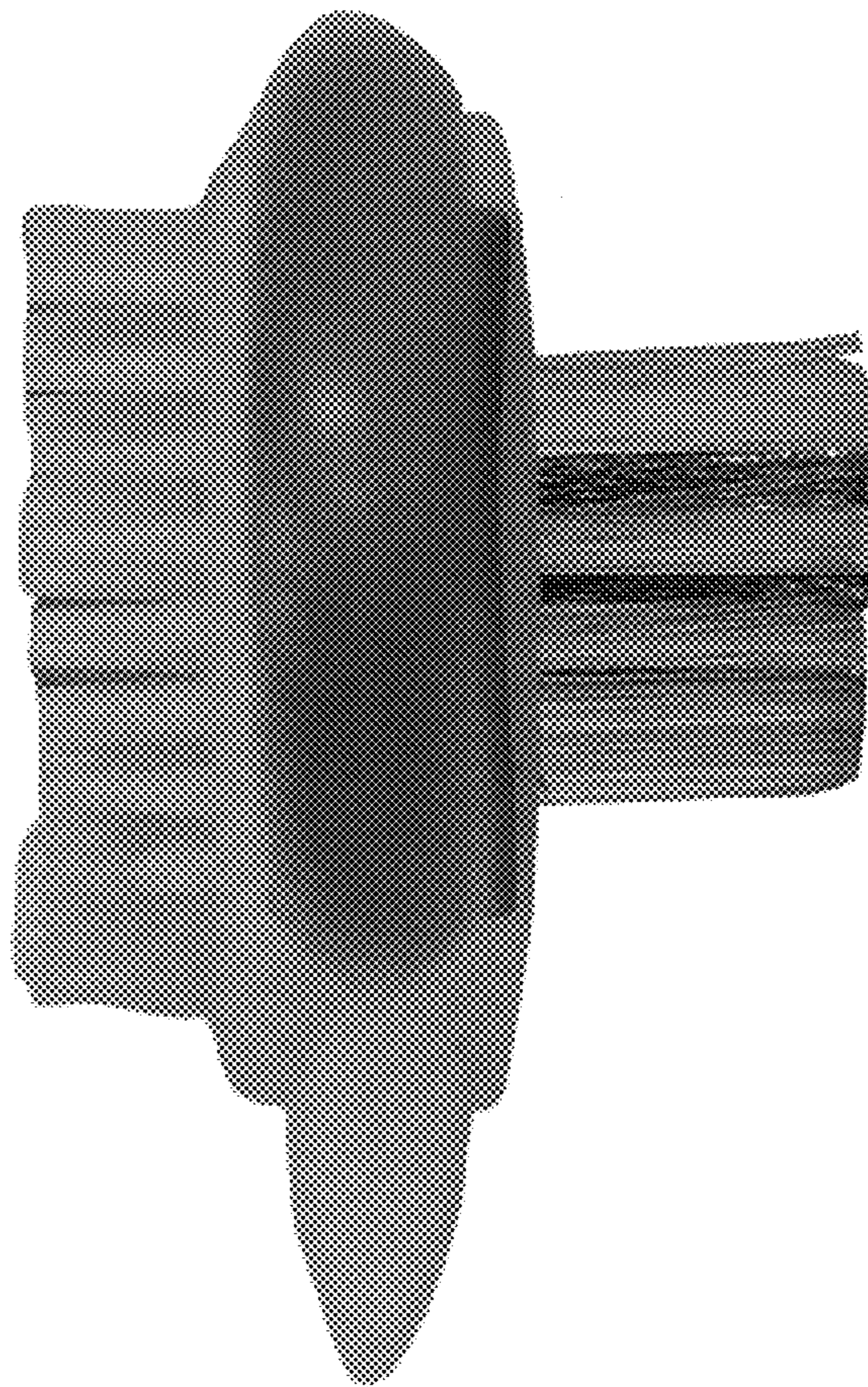
1.4



1.5



1.6



1.7

