



US00D791484S

(12) **United States Design Patent** (10) **Patent No.:** **US D791,484 S**  
**Jacob et al.** (45) **Date of Patent:** **\*\* Jul. 11, 2017**

(54) **LUGGAGE ASSEMBLY**  
(71) Applicant: **Matte-Veede, FZE**, Fujairah (AE)  
(72) Inventors: **Jonathan Jacob**, Dubai (AE); **Arman Emami**, Berlin (DE)  
(73) Assignee: **Matte-Veede, FZE**, Fujairah (AE)  
(\*\*) Term: **15 Years**  
(21) Appl. No.: **29/550,272**  
(22) Filed: **Dec. 31, 2015**  
(51) **LOC (10) Cl.** ..... **03-01**  
(52) **U.S. Cl.**  
USPC ..... **D3/323**; D3/318  
(58) **Field of Classification Search**  
USPC ..... D3/201, 204, 216, 272-275, 279, 280,  
D3/282, 283, 284, 288, 289, 294, 309,  
D3/315, 318, 321, 322, 323, 902;  
D9/430-433; D12/406, 409, 410, 412,  
D12/413; D34/25  
CPC ..... A45C 5/00; A45C 5/03; A45C 2005/032;  
A45C 2005/035; A45C 2005/037  
See application file for complete search history.

D664,355 S \* 7/2012 Moon ..... D3/279  
D671,745 S \* 12/2012 Wyner ..... D3/301  
D672,955 S \* 12/2012 Benshetrit ..... D3/279  
D705,813 S \* 5/2014 Deguchi ..... D14/498  
D709,695 S \* 7/2014 Yu ..... D3/279  
D710,608 S \* 8/2014 Yoneno ..... D3/279  
D724,323 S \* 3/2015 Wang ..... D3/279  
D726,405 S \* 4/2015 Nassanian ..... D3/216

(Continued)

**OTHER PUBLICATIONS**

Karat hard sided suitcase by Delsey, posted at Peepmystyles.com, posting date Mar. 25, 2012, [online], [site visited Dec. 5, 2016]. Available from Internet, <URL: <http://www.peepmystyles.com/2012/03/packingforhoneymoon.html>>.\*

*Primary Examiner* — Susan E Krakower  
*Assistant Examiner* — Lisa A Grabenstetter  
(74) *Attorney, Agent, or Firm* — Banner & Witcoff, Ltd.

(57) **CLAIM**

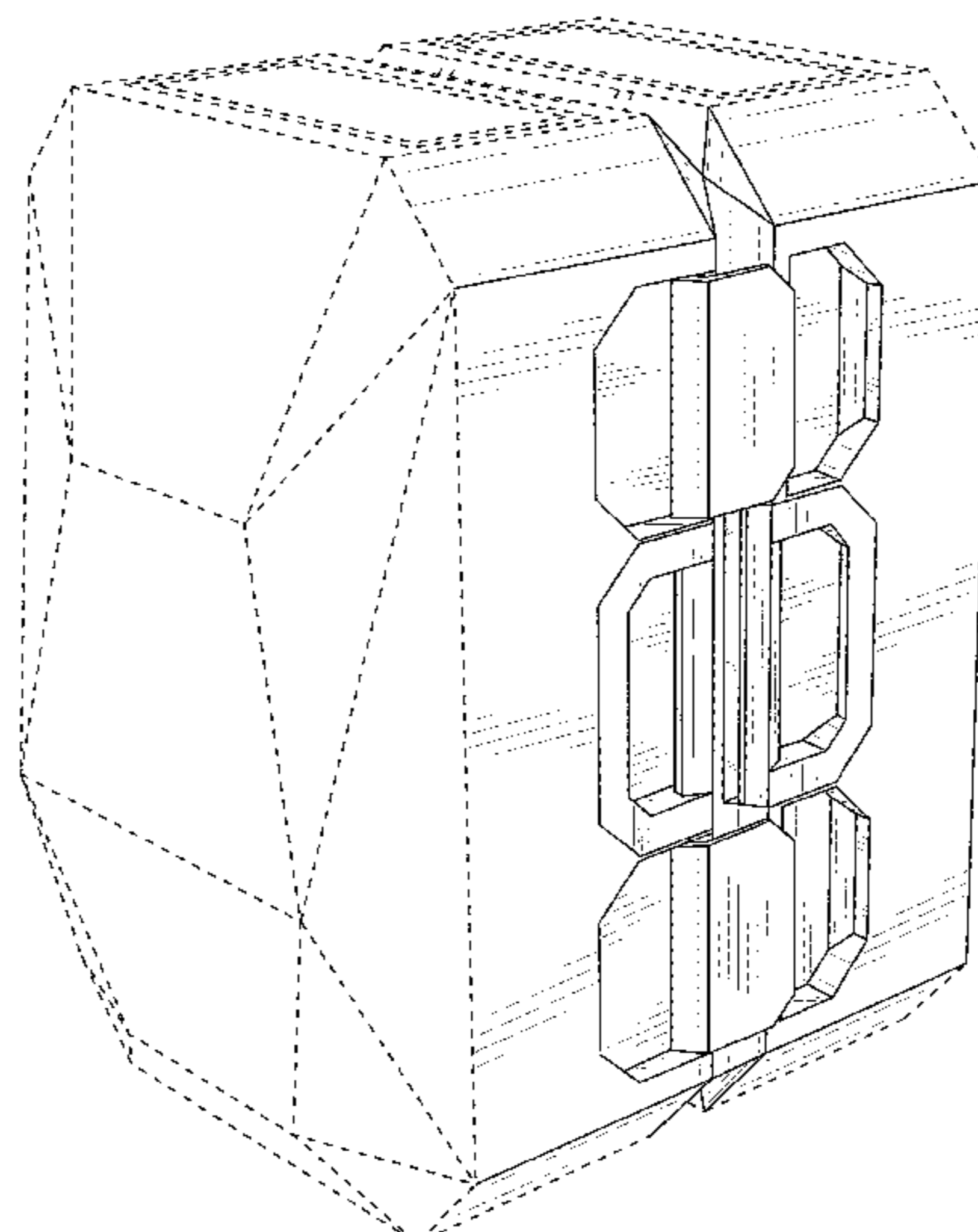
The ornamental design for a luggage assembly, as shown and described.

**DESCRIPTION**

FIG. 1 is a perspective front left view of a luggage assembly showing our new design;  
FIG. 2 is a perspective front right view thereof;  
FIG. 3 is a front view thereof;  
FIG. 4 is right side view thereof;  
FIG. 5 is a top view thereof; and,  
FIG. 6 is a bottom view thereof.  
The broken lines immediately adjacent to the shaded area represent unclaimed boundaries of the design. The broken lines showing the remainder of the luggage assembly are for environmental purposes only and form no part of the claimed design.  
The broken lines showing portions of the luggage assembly form no part of the claimed design.

**1 Claim, 6 Drawing Sheets**

(56) **References Cited**  
U.S. PATENT DOCUMENTS  
D79,531 S \* 10/1929 Schleicher ..... 229/163  
D268,141 S \* 3/1983 Miller ..... D3/279  
D336,875 S \* 6/1993 Cox ..... D12/413  
D342,193 S \* 12/1993 Smith ..... D7/629  
D392,563 S \* 3/1998 Iwanaga ..... D9/422  
D437,110 S \* 2/2001 Ivarson ..... D3/216  
D477,219 S \* 7/2003 Waterhouse ..... D9/430  
D507,176 S \* 7/2005 Abgarian ..... D9/416  
D592,050 S \* 5/2009 Casebasse ..... D9/431  
D630,426 S \* 1/2011 Wilfer ..... D3/204  
D637,138 S \* 5/2011 Ehrat ..... D12/413  
D639,057 S \* 6/2011 Presman ..... D3/279  
D645,341 S \* 9/2011 Bhattacharya ..... D9/430  
D660,584 S \* 5/2012 Cross ..... D3/216



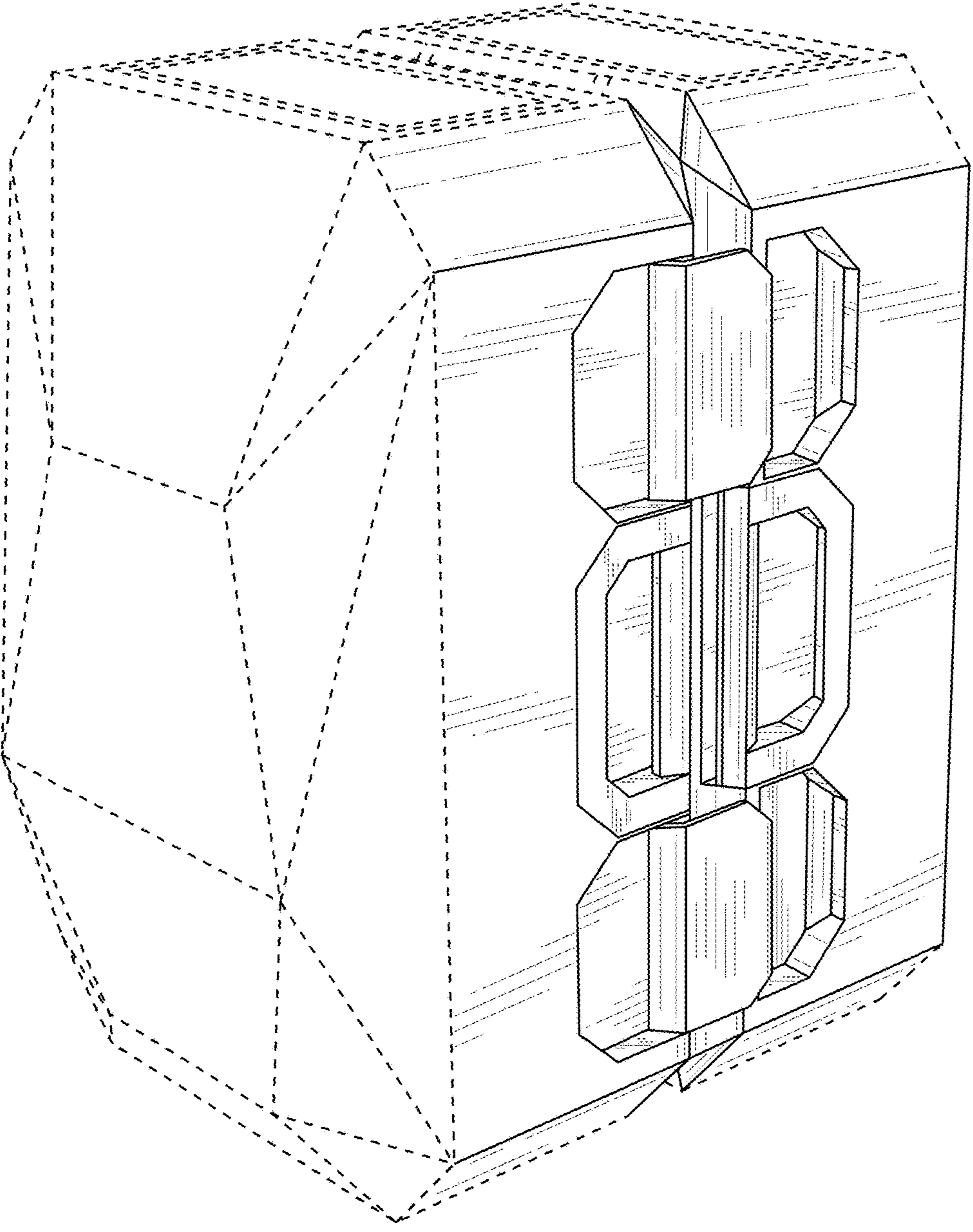
(56)

**References Cited**

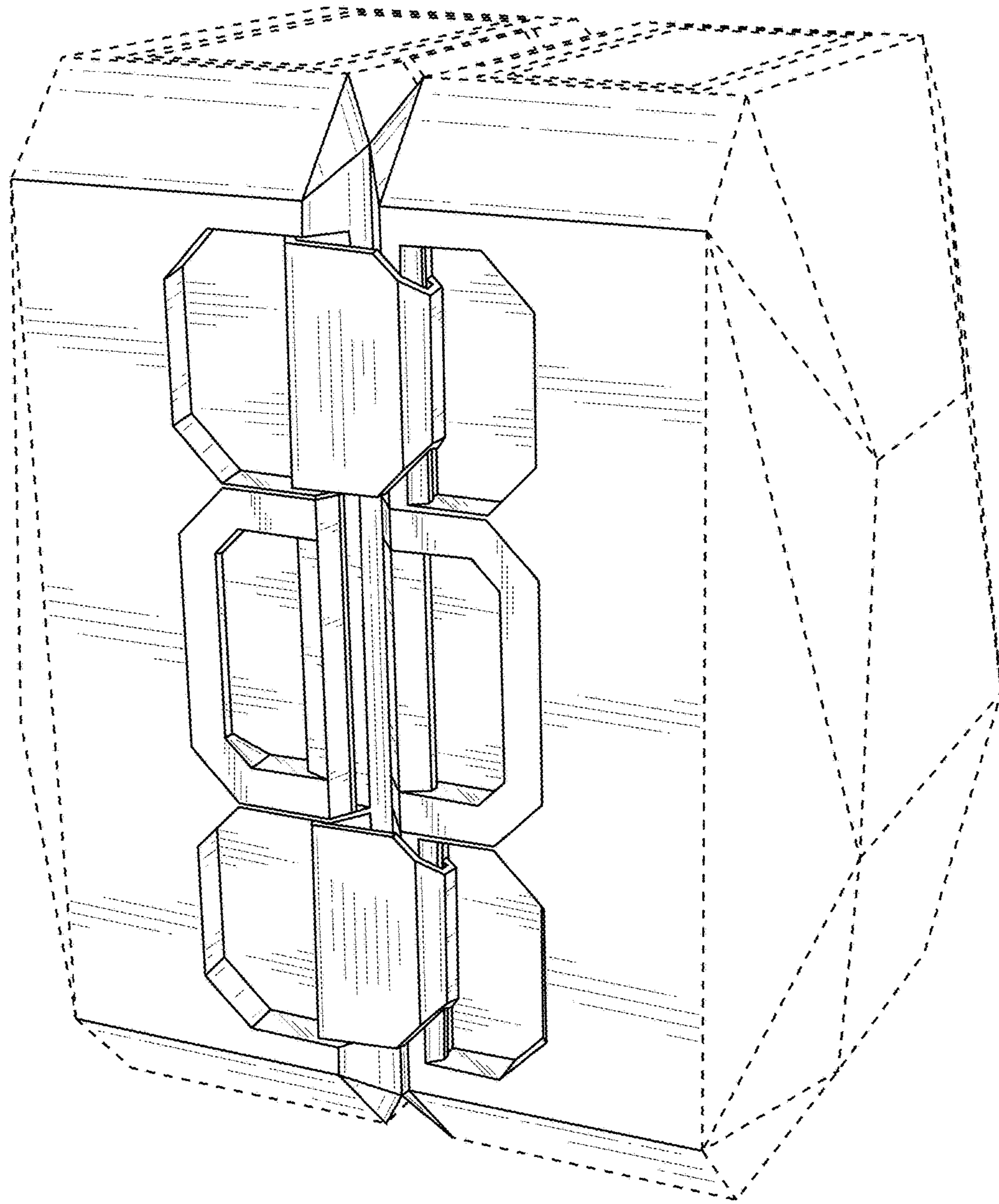
U.S. PATENT DOCUMENTS

D727,030	S *	4/2015	Tong .....	D3/321
D743,697	S *	11/2015	Tooze .....	D3/279
D751,293	S *	3/2016	Recchia .....	D3/318
D751,819	S *	3/2016	Vecellio .....	D3/318
D751,820	S *	3/2016	Recchia .....	D3/318
D755,523	S *	5/2016	Szyf .....	D3/318
2012/0210596	A1 *	8/2012	Lebel .....	A45C 5/00
				34/524
2013/0279090	A1 *	10/2013	Brandt .....	H05K 7/00
				361/679.01

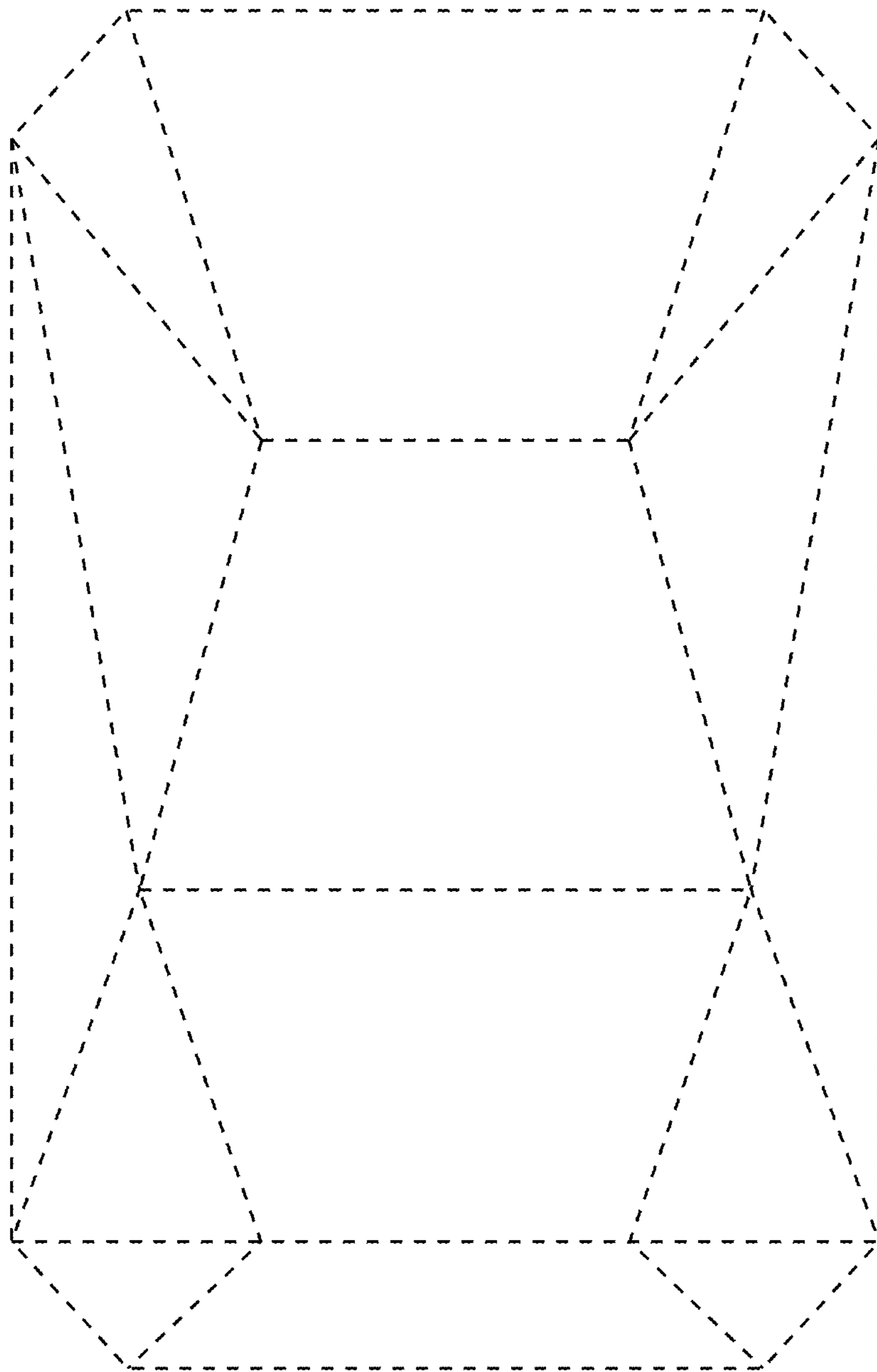
\* cited by examiner



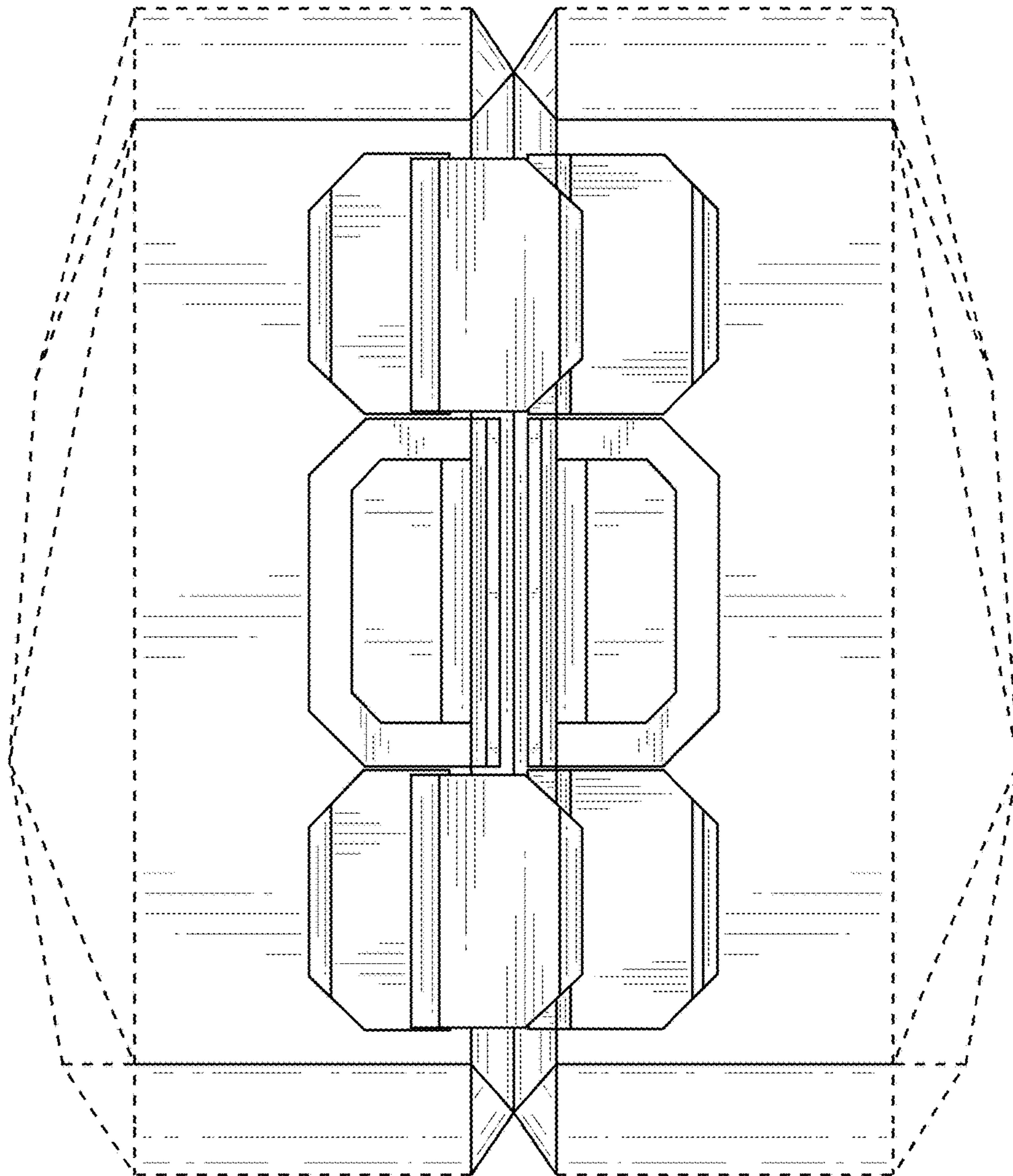
**FIG. 1**



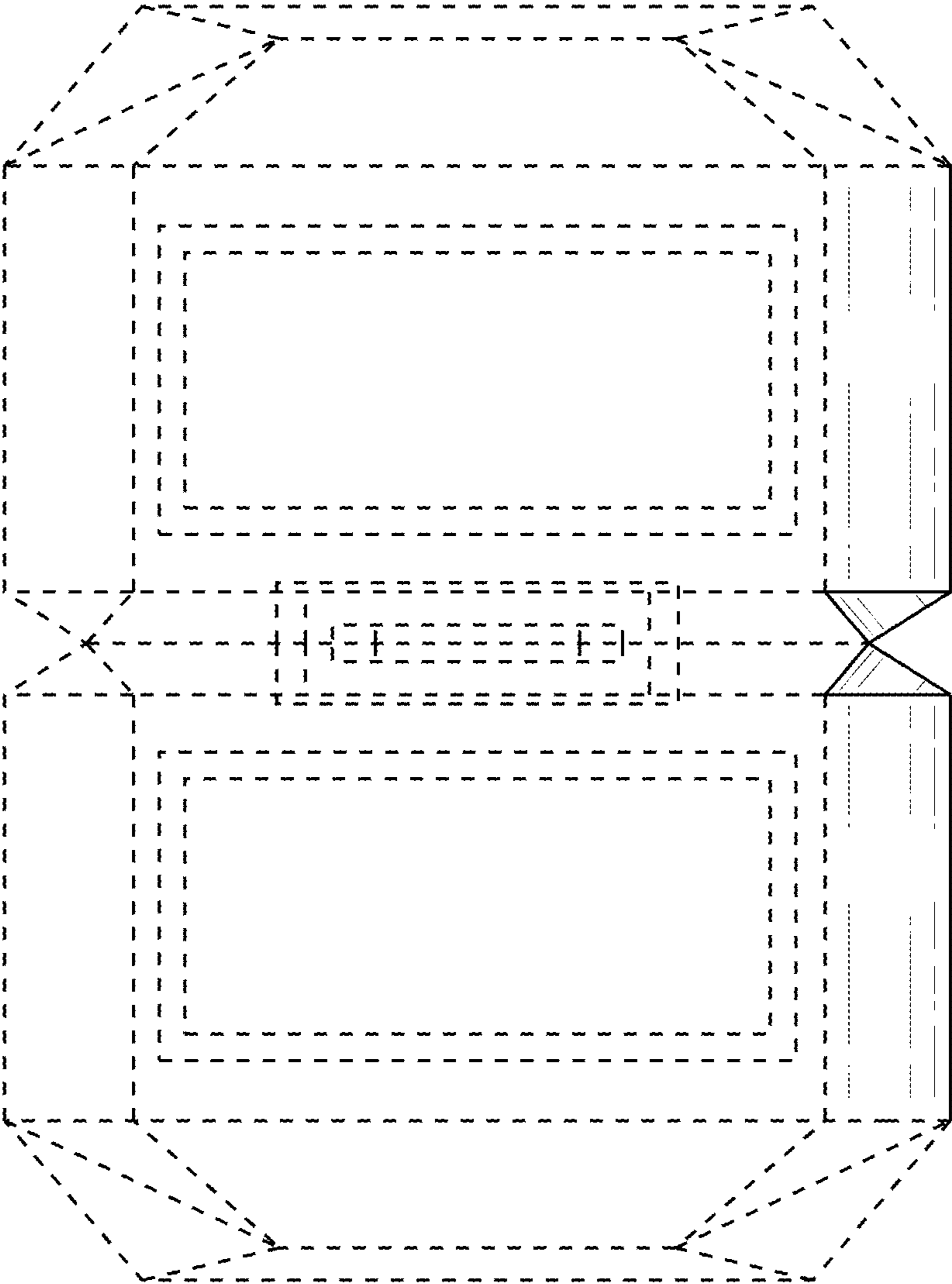
**FIG. 2**



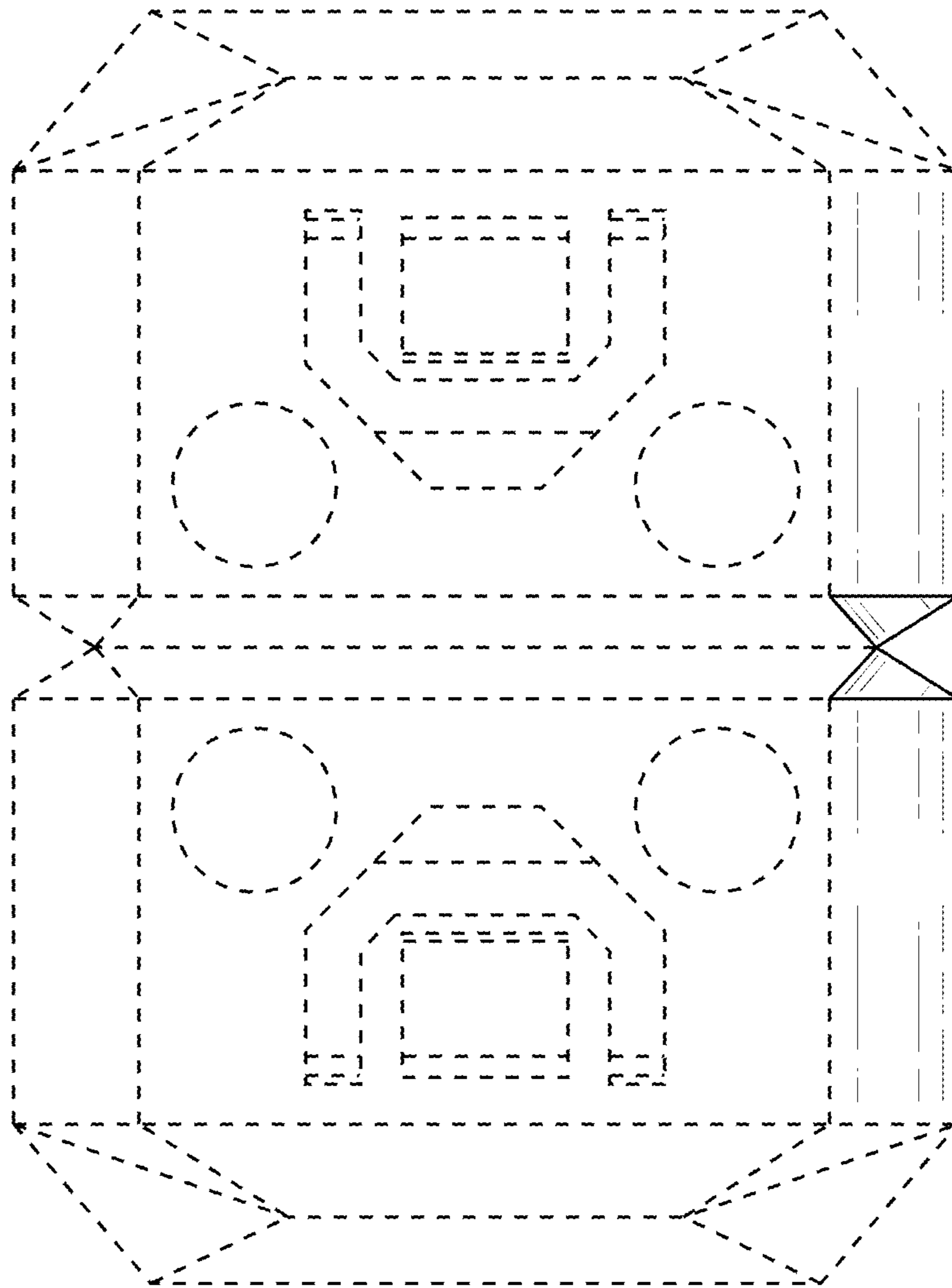
**FIG. 3**



**FIG. 4**



**FIG. 5**



**FIG. 6**