



US00D791481S

(12) **United States Design Patent** (10) **Patent No.:** **US D791,481 S**  
**Frank et al.** (45) **Date of Patent:** **\*\* Jul. 11, 2017**

(54) **BIN**

(56) **References Cited**

(71) Applicant: **Amazon Technologies, Inc.**, Seattle, WA (US)  
(72) Inventors: **Daniel Jeffry Frank**, Seattle, WA (US); **Benjamin Alan Dawson**, Sunnyvale, CA (US); **Christopher Frederic Lobo**, Seattle, WA (US); **Anthony David Givan**, Louisville, KY (US); **Christopher Alan Winfield**, Louisville, KY (US); **Charles Norman Pomles**, Louisville, KY (US)  
(73) Assignee: **Amazon Technologies, Inc.**, Seattle, WA (US)  
(\*\*) Term: **15 Years**  
(21) Appl. No.: **29/575,095**  
(22) Filed: **Aug. 22, 2016**

U.S. PATENT DOCUMENTS

D327,561 S *	6/1992	Hradisky .....	D3/307
D351,889 S	10/1994	Buchanan	
D467,052 S *	12/2002	Van Ledingham, Jr. ....	D34/1
D517,319 S	3/2006	Wisnoski et al.	
D538,539 S *	3/2007	Richardson .....	D3/314
D583,562 S *	12/2008	Ghiorghie .....	D3/304
D589,728 S	4/2009	Shaha et al.	
D594,229 S	6/2009	Barkdoll et al.	
D618,675 S	6/2010	Thompson et al.	
D625,922 S	10/2010	Rees et al.	
D634,546 S	3/2011	Horwitz	
D653,605 S *	2/2012	Stroud .....	D12/425
D657,105 S *	4/2012	Martheenal .....	D34/1
D677,055 S	3/2013	Nowicky et al.	
D697,309 S	1/2014	Baldwin et al.	
D711,610 S *	8/2014	McGivney .....	D34/1
D712,477 S *	9/2014	Stravitz .....	D19/90
D713,453 S	9/2014	Chuang	
D731,185 S *	6/2015	Hsu .....	D3/304
D731,186 S	6/2015	Hsu	
D745,781 S	12/2015	Hsu	
D746,151 S	12/2015	Currier	

(Continued)

*Primary Examiner* — Kelley Donnelly

(74) *Attorney, Agent, or Firm* — Lee & Hayes, PLLC

(57) **CLAIM**

The ornamental design for a bin, as shown and described.

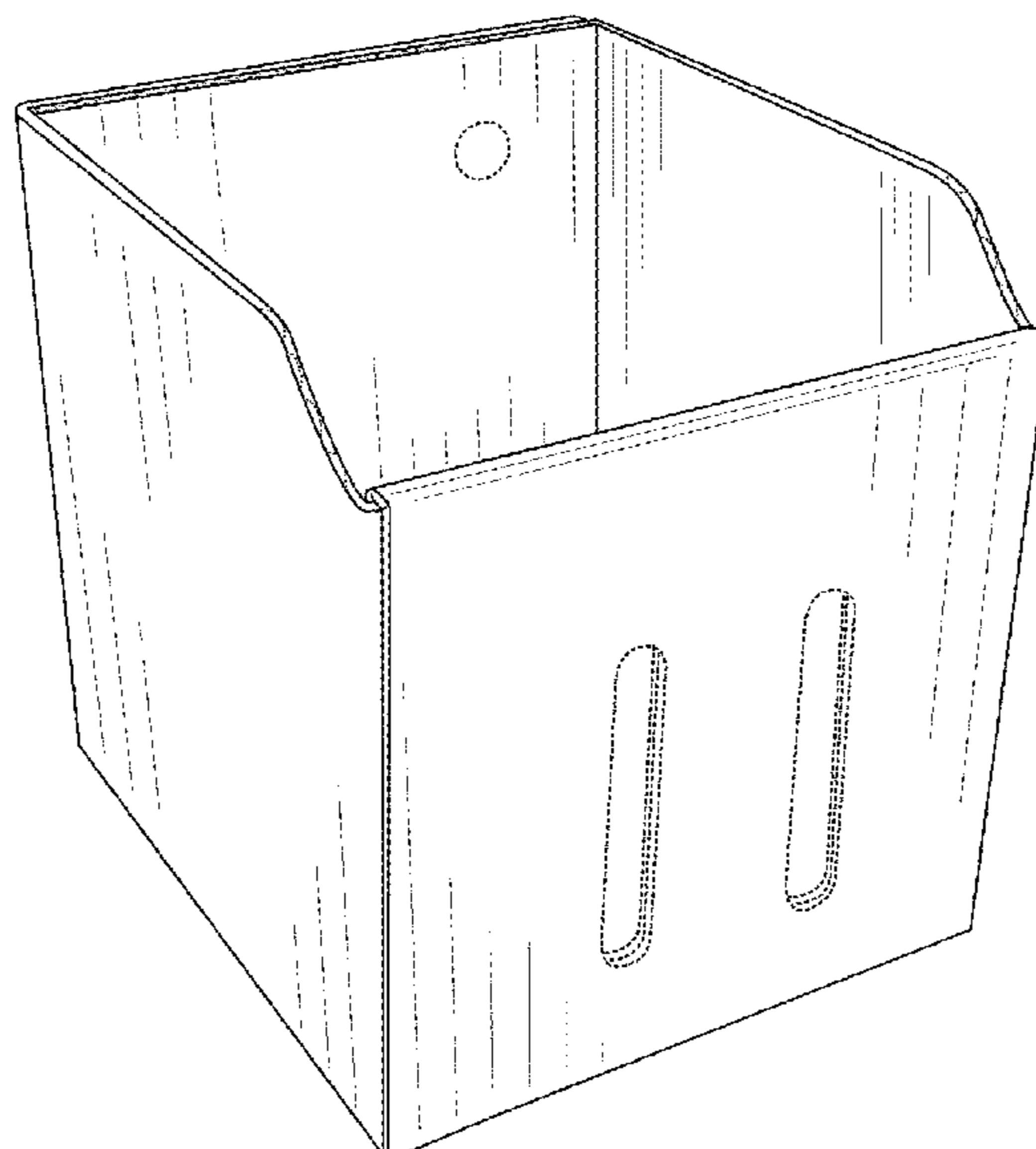
**DESCRIPTION**

FIG. 1 is a perspective view of a bin, taken from above; FIG. 2 is a front view of the bin of FIG. 1; FIG. 3 is a back view of the bin of FIG. 1; FIG. 4 is a left-side view of the bin of FIG. 1; FIG. 5 is a right-side view of the bin of FIG. 1; FIG. 6 is a top plan view of the bin of FIG. 1; and, FIG. 7 is a bottom plan view of the bin of FIG. 1. The broken lines showing environmental portions of the bin, and features of the bin, form no part of the claimed design.

**1 Claim, 7 Drawing Sheets**

**Related U.S. Application Data**

(62) Division of application No. 29/525,116, filed on Apr. 27, 2015, now Pat. No. Des. 769,622.  
(51) **LOC (10) Cl.** ..... **03-01**  
(52) **U.S. Cl.**  
USPC ..... **D3/304**  
(58) **Field of Classification Search**  
USPC ..... D3/203.1, 203.6, 225, 218, 273, 302, D3/304, 314; 206/503–506, 508, 510, 206/512, 514–515; D30/161  
CPC ..... A45C 13/083; A47F 1/04; B65D 71/0003; B65D 2543/00222; B65D 2543/00296  
See application file for complete search history.



(56)

**References Cited**

U.S. PATENT DOCUMENTS

D762,065 S *	7/2016	Hsu .....	D3/304
D762,981 S *	8/2016	Sakaguchi .....	D3/304
D766,574 S *	9/2016	Hsu .....	D3/304
D766,628 S *	9/2016	Hegarty .....	D6/683

\* cited by examiner

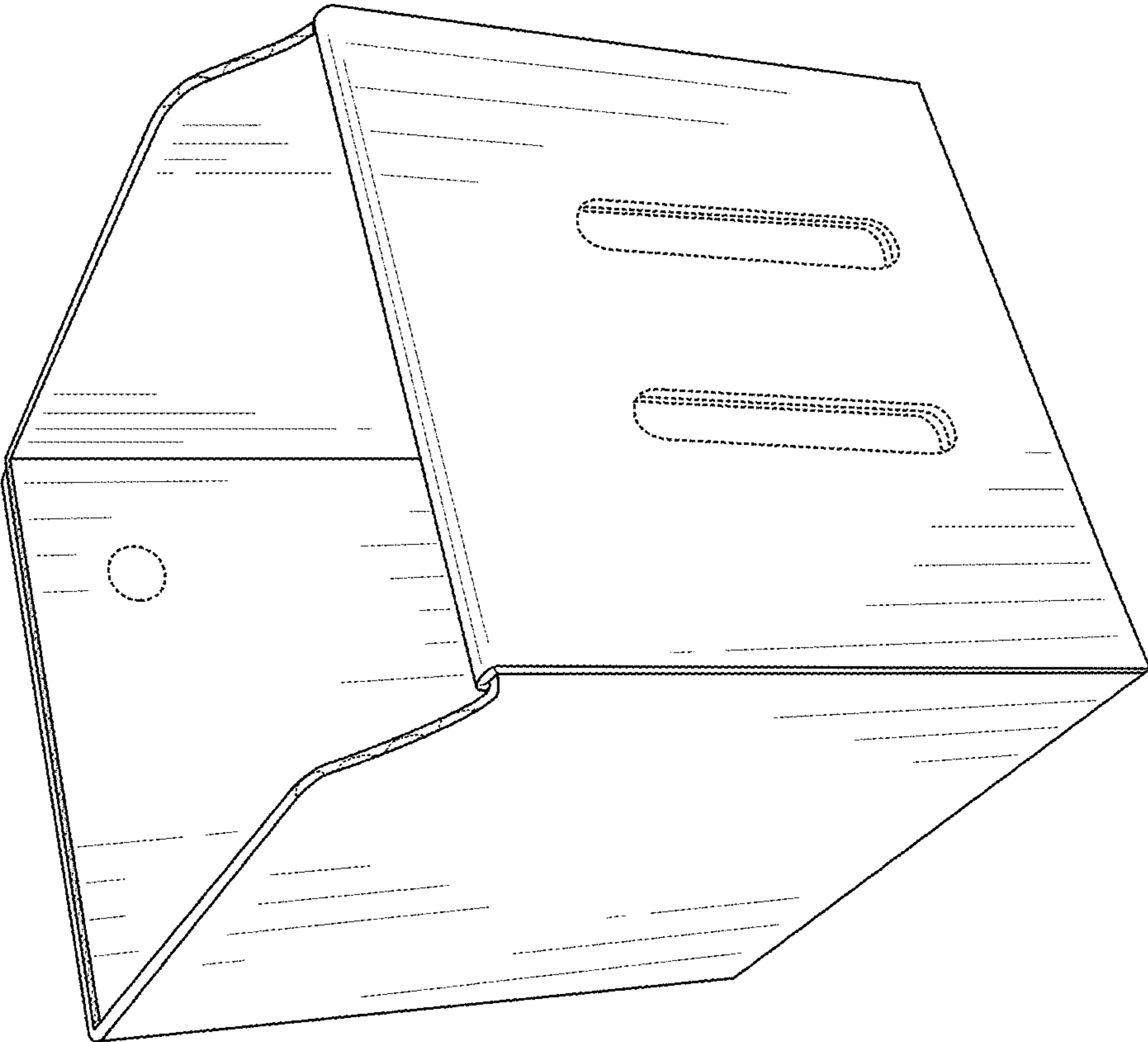


FIG. 1

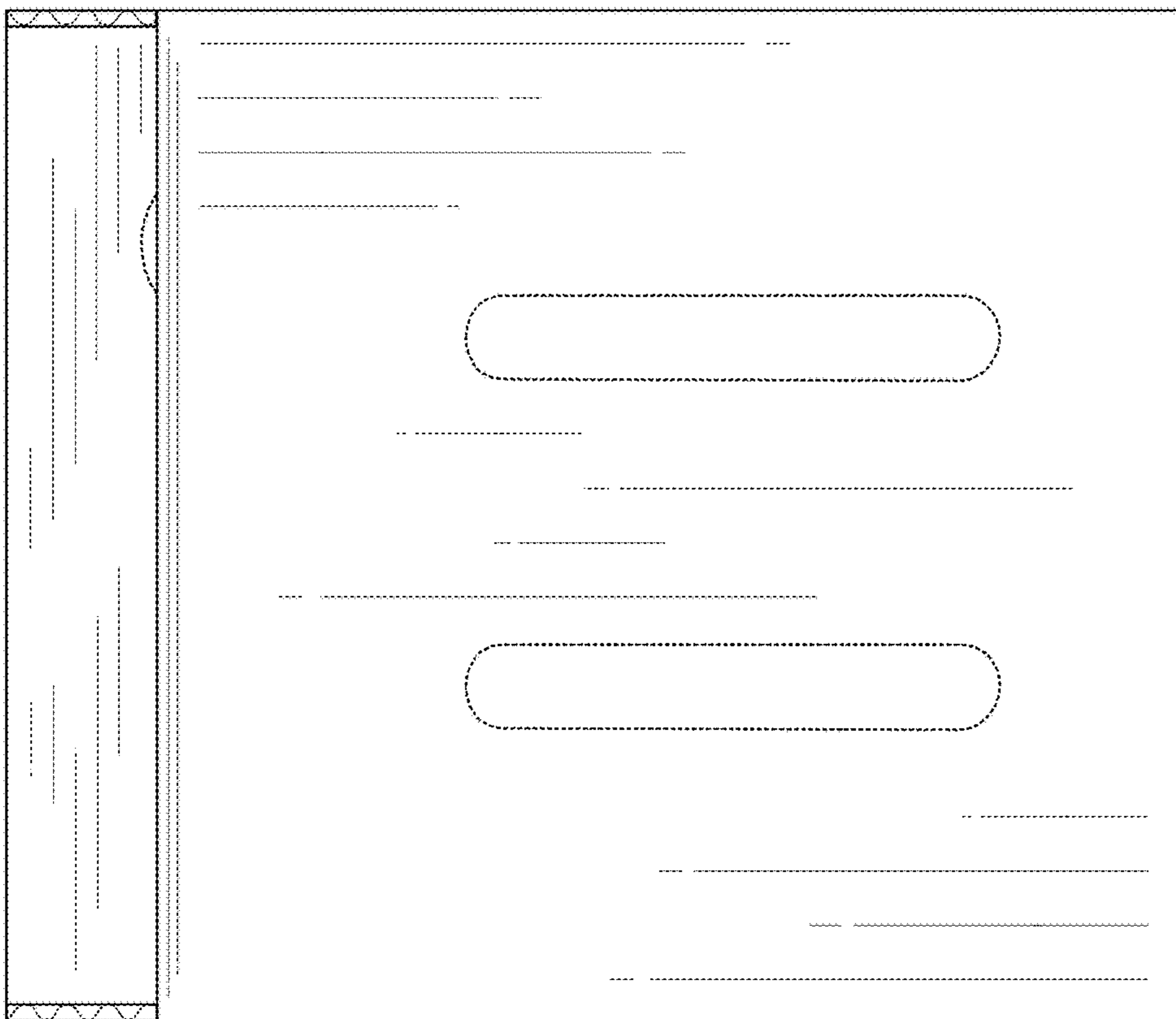


FIG. 2

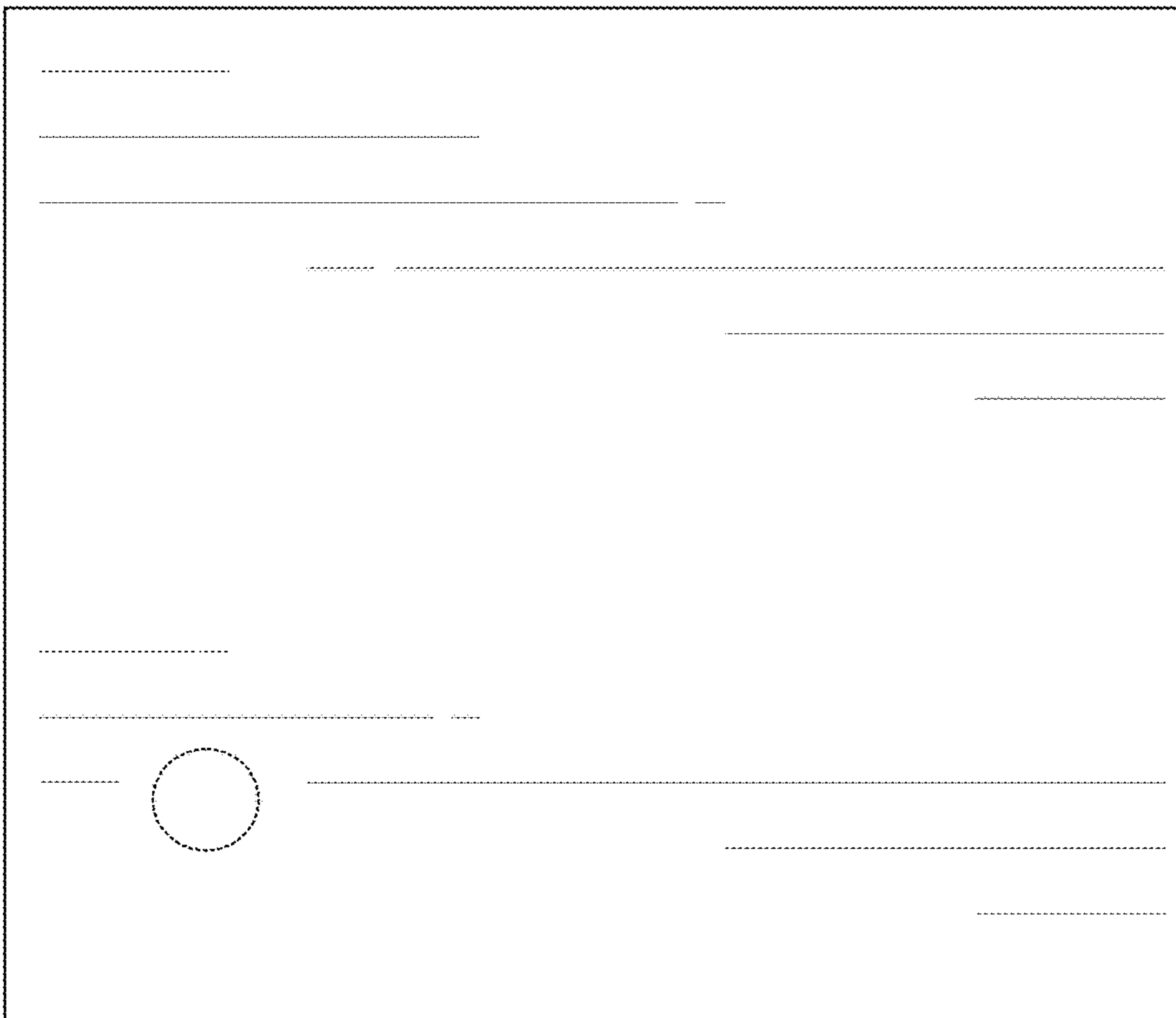


FIG. 3

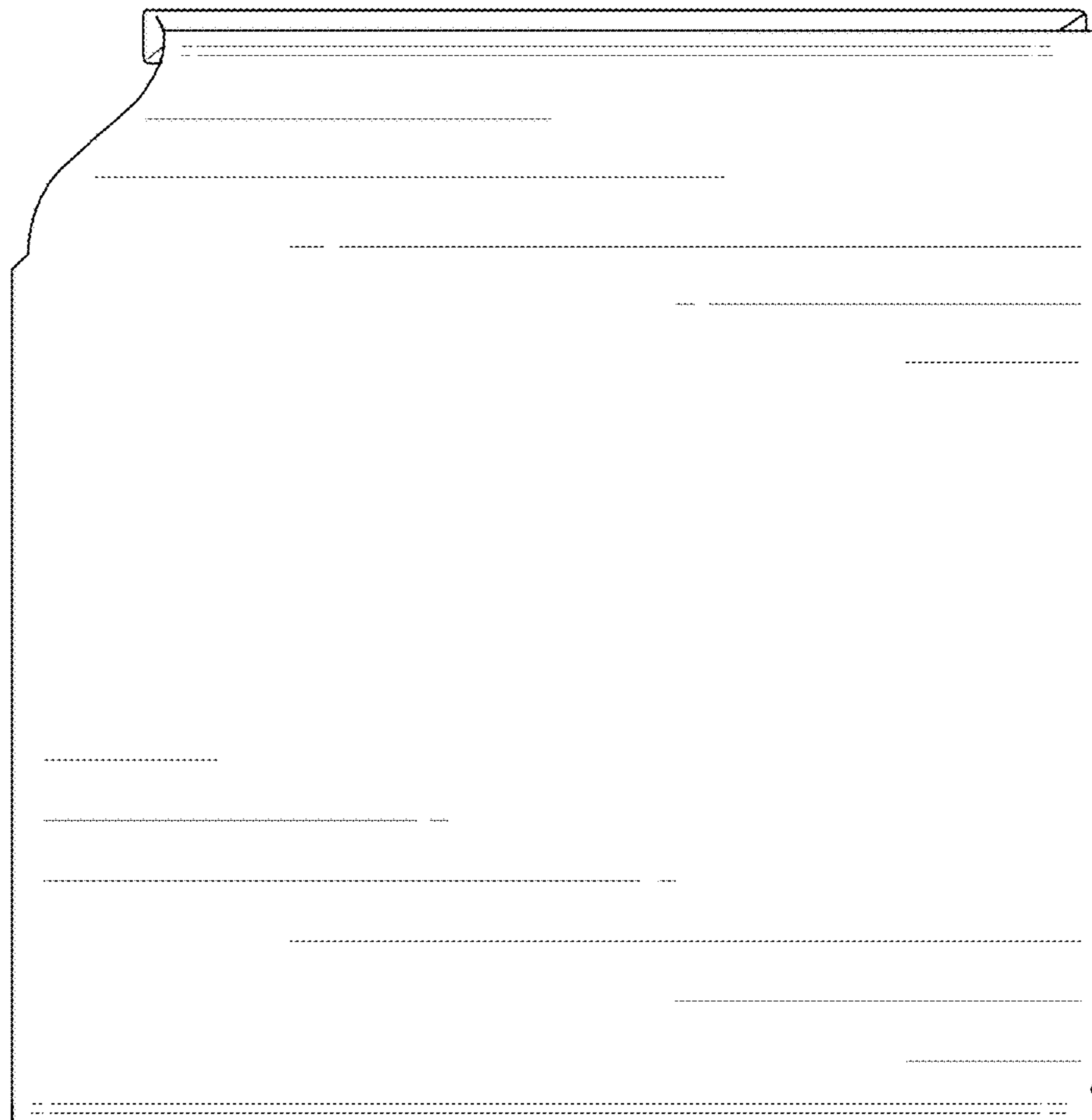


FIG. 4

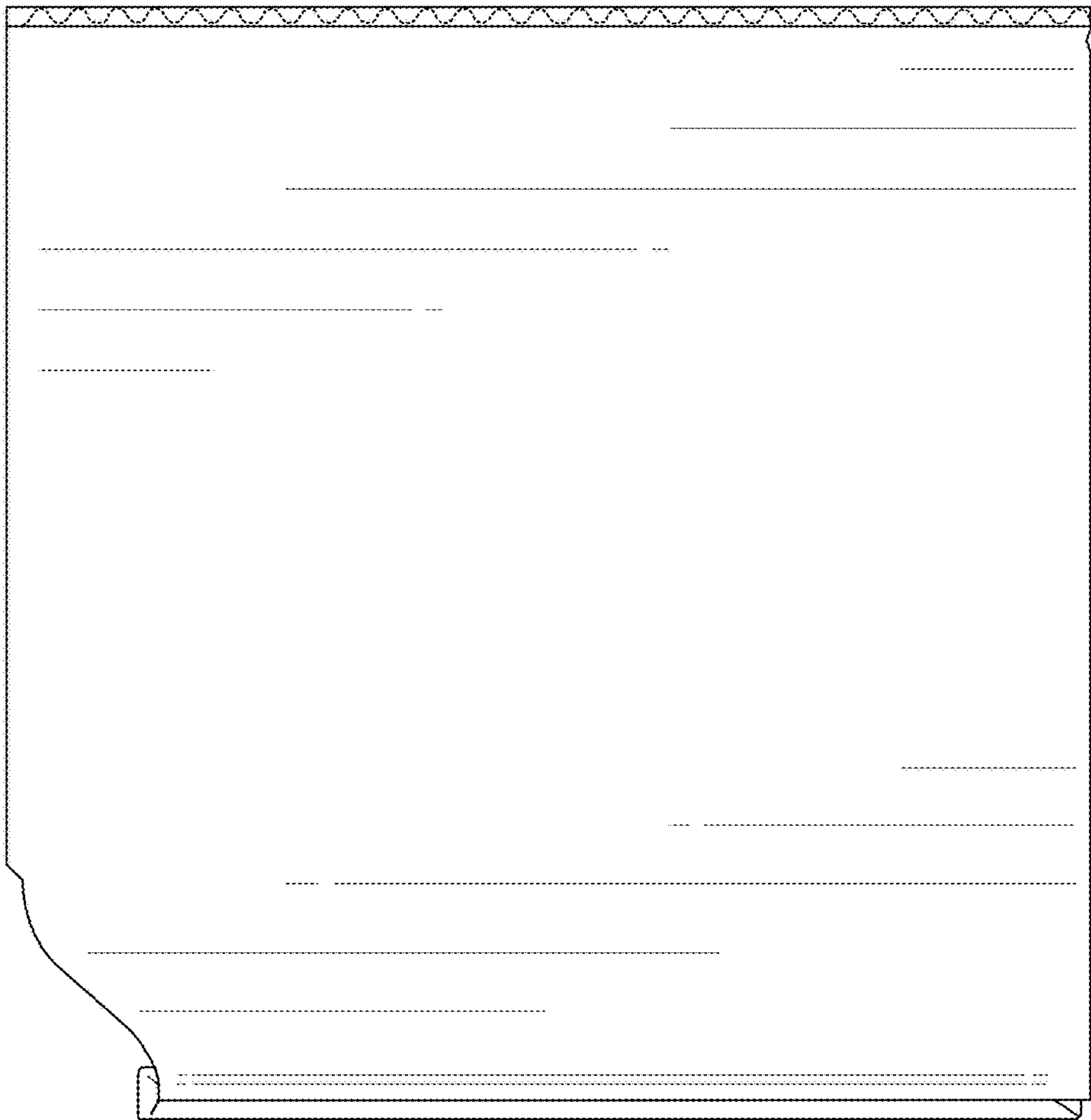


FIG. 5

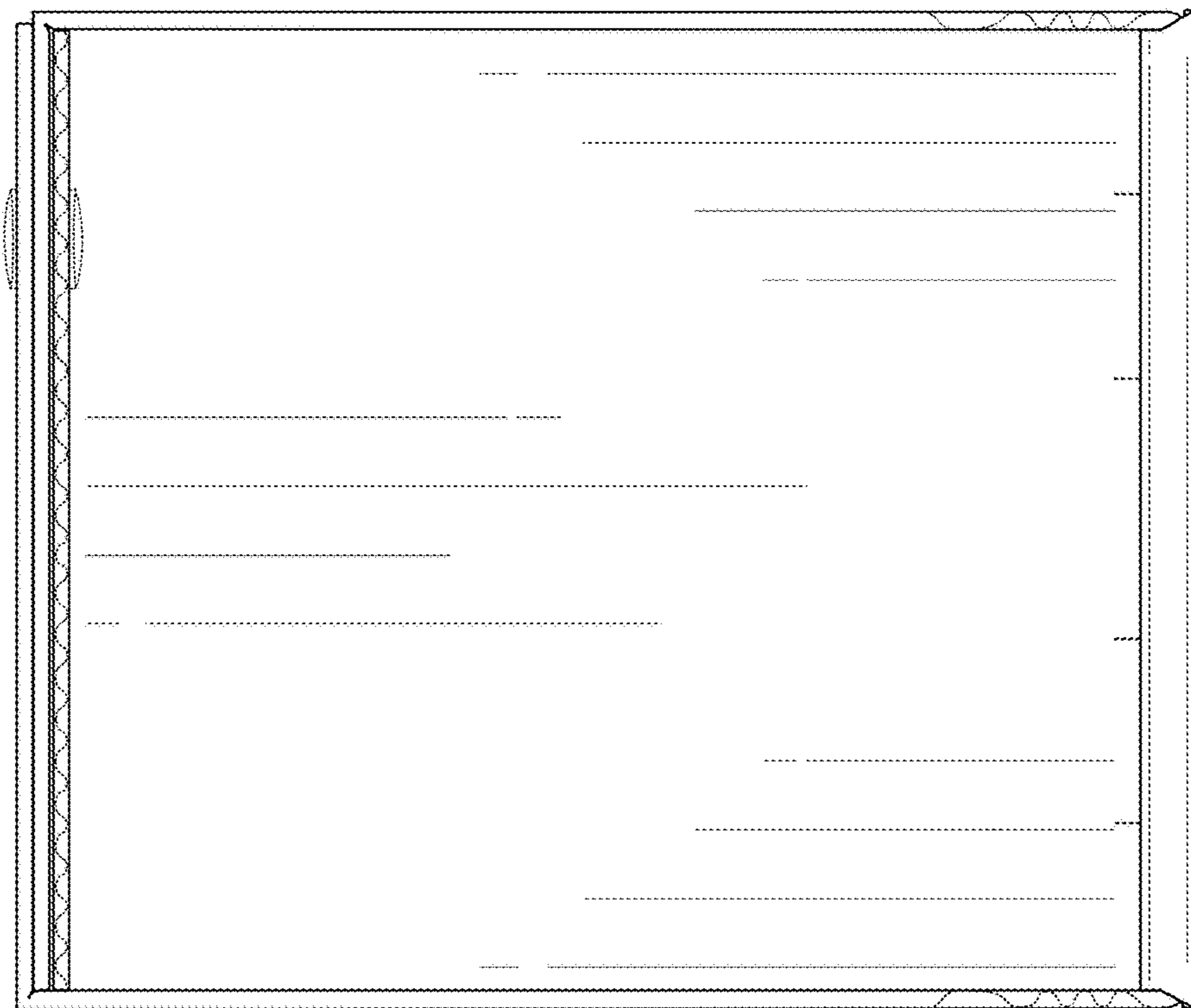


FIG. 6



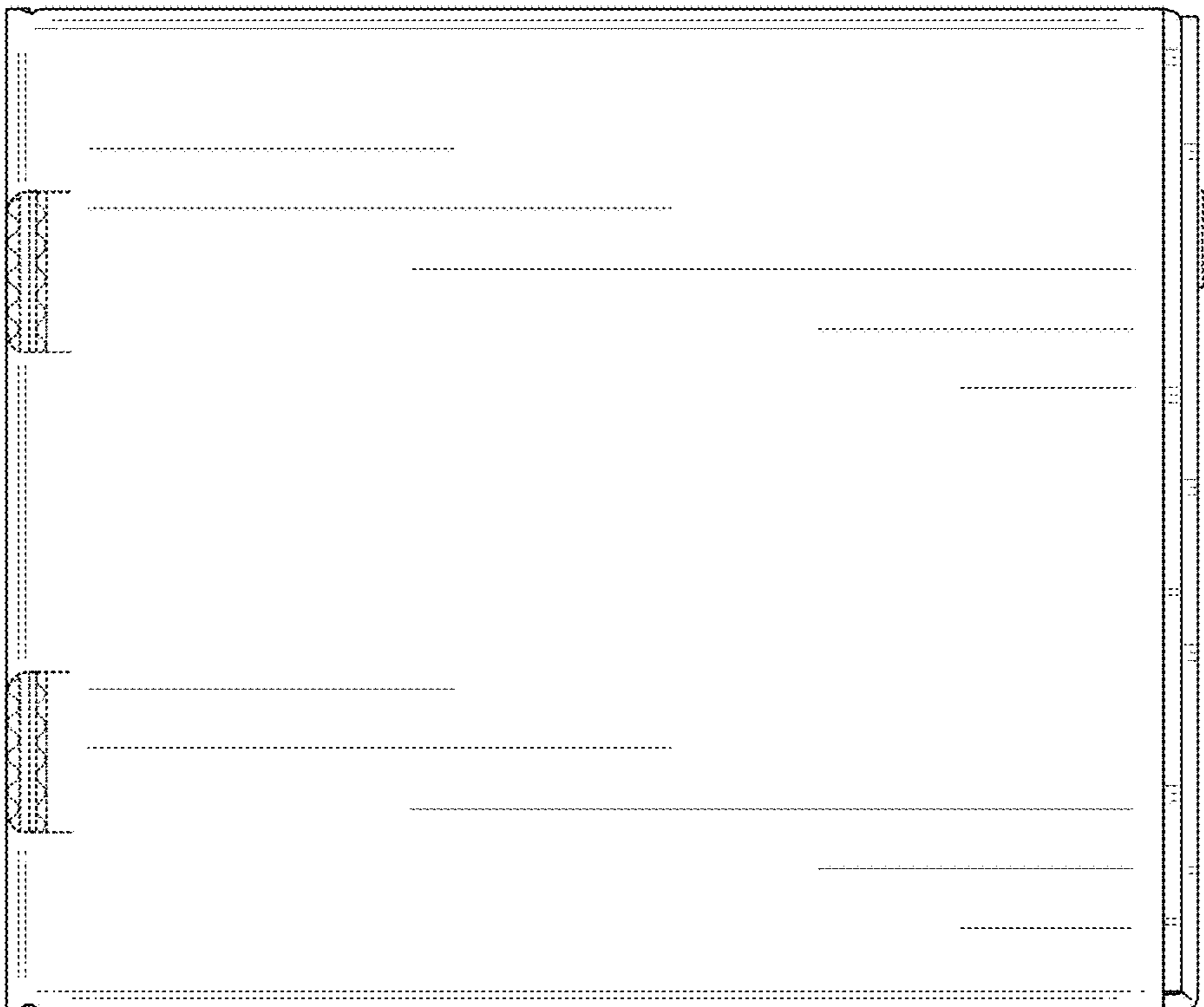


FIG. 7