



US00D791479S

(12) **United States Design Patent** (10) **Patent No.:** **US D791,479 S**
Son et al. (45) **Date of Patent:** **** Jul. 11, 2017**

(54) **CASE FOR ELECTRONIC DEVICE**

B65D 81/133; B65D 1/34; B65D 25/04;
B65D 2543/00194; B65D 83/00

See application file for complete search history.

(71) Applicant: **Samsung Electronics Co., Ltd.**,
Suwon-si (KR)

(56) **References Cited**

(72) Inventors: **Seounghyun Son**, San Francisco, CA
(US); **Howard Nuk**, San Francisco, CA
(US); **Dennis Miloseski**, Danville, CA
(US); **Rhys Bonahoom**, San Mateo, CA
(US); **Grace Lee**, San Francisco, CA
(US); **Jiyeon Lee**, San Francisco, CA
(US)

U.S. PATENT DOCUMENTS

2,410,161	A *	10/1946	Helbein	A45C 11/12 206/565
D304,352	S *	10/1989	Ukisu	D3/298
D304,739	S *	11/1989	Ukisu	D3/271.1
4,898,195	A *	2/1990	Sussman	A45D 33/006 132/218
5,140,108	A *	8/1992	Miyajima	H05K 5/0086 174/562

(Continued)

(73) Assignee: **Samsung Electronics Co., Ltd.**,
Suwon-si (KR)

Primary Examiner — Derrick Holland

Assistant Examiner — Lauren Calve

(74) *Attorney, Agent, or Firm* — NSIP Law

(**) Term: **15 Years**

(57) **CLAIM**

We claim the ornamental design for a case for electronic device, as shown and described.

(21) Appl. No.: **29/550,935**

DESCRIPTION

(22) Filed: **Jan. 8, 2016**

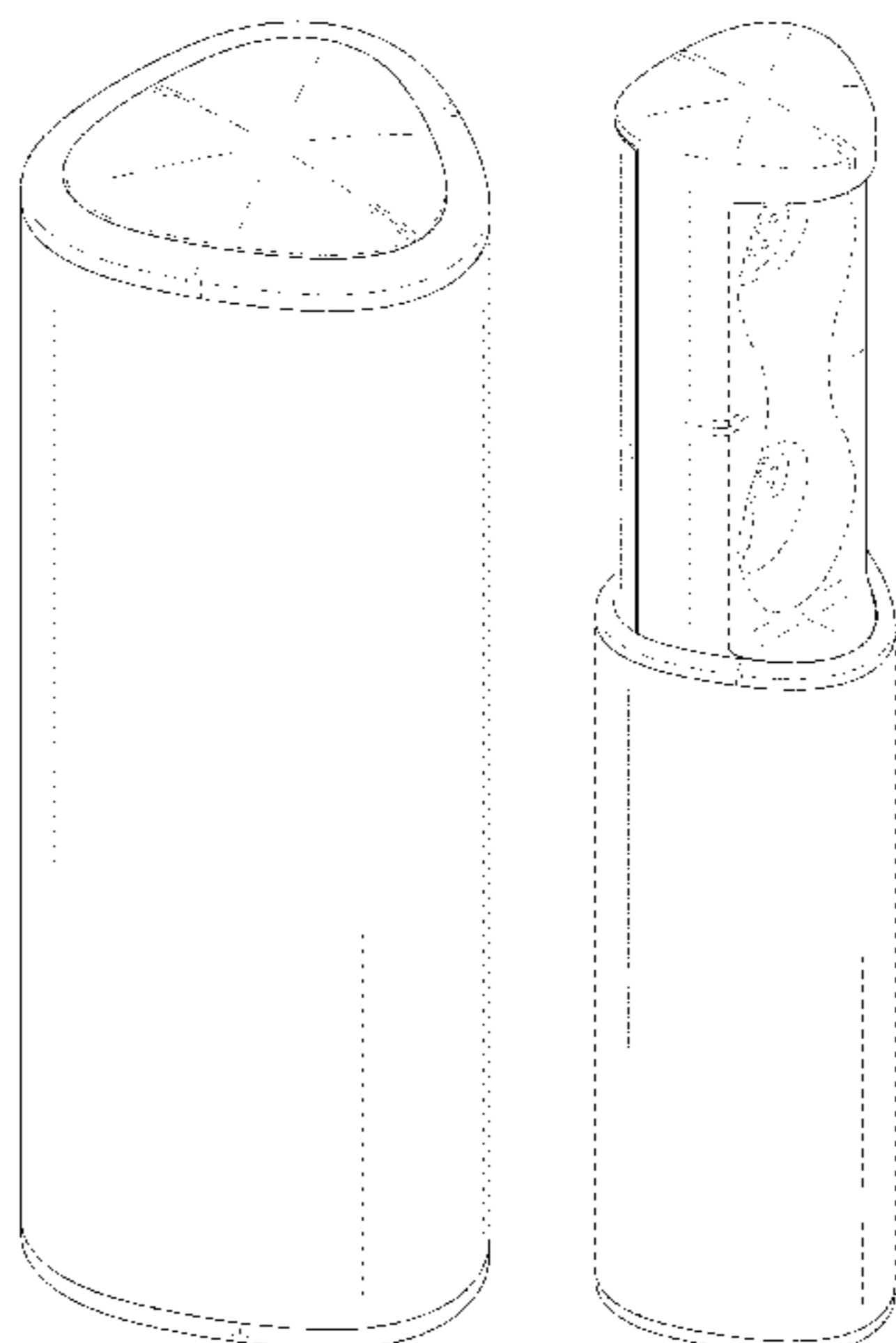
(51) **LOC (10) Cl.** **03-01**

(52) **U.S. Cl.**
USPC **D3/298**

(58) **Field of Classification Search**
USPC D9/414, 715, 721, 416, 723, 724, 726,
D9/502, 740, 730, 733; D3/201,
D3/295–298; 206/315.1, 320, 701;
220/345.1, 345.2, 345.4
CPC H01L 2224/45015; H01L 21/67772; B65D
73/02; B65D 2585/88; B65D 25/107;
B65D 2585/86; B65D 75/327; B65D
81/113; B65D 85/30; B65D 43/162;
B65D 75/36; B65D 75/366; B65D
75/367; B65D 81/025; B65D 71/70;
B65D 85/00; B65D 1/36; B65D 75/368;

FIG. 1 is a front perspective view of a case for electronic device showing our new design;
FIG. 2 is a front view thereof;
FIG. 3 is a rear view thereof;
FIG. 4 is a left-side view thereof;
FIG. 5 is a right-side view thereof;
FIG. 6 is a top view thereof;
FIG. 7 is a bottom view thereof;
FIG. 8 is a bottom rear perspective view thereof;
FIG. 9 is a front perspective view of the case for electronic device shown in an alternative position;
FIG. 10 is a front view thereof;
FIG. 11 is a rear view thereof;
FIG. 12 is a left-side view thereof;
FIG. 13 is a right-side view thereof;
FIG. 14 is a top view thereof;
FIG. 15 is a bottom view thereof; and,
FIG. 16 is a bottom rear perspective view thereof.

(Continued)



The broken lines in the figures show portions of the case for electronic device that form no part of the claimed design.

1 Claim, 14 Drawing Sheets

(56)

References Cited

U.S. PATENT DOCUMENTS

5,620,109	A *	4/1997	Madden	B65D 11/12
					206/536
D392,411	S *	3/1998	Mayo	D28/7
D397,865	S *	9/1998	Lin	D3/218
D426,153	S *	6/2000	Sagel	D9/422
D437,221	S *	2/2001	Sagel	D9/422
D440,875	S *	4/2001	Sagel	D9/430
D495,250	S *	8/2004	Learey	D9/422

D497,038	S *	10/2004	Tsai	D28/85
D604,501	S *	11/2009	Lee	D3/201
D624,316	S *	9/2010	Ferber	D3/294
D647,568	S *	10/2011	Yuan	D19/90
D652,715	S *	1/2012	Quinter	D9/414
D682,623	S *	5/2013	Rones	D7/600.1
D695,102	S *	12/2013	Keberlein	D9/416
8,833,379	B1 *	9/2014	Kaplan	A45D 33/26
					132/287
D772,572	S *	11/2016	Palmborg	D3/201
D775,414	S *	12/2016	Ampolini	D13/108
2004/0112781	A1 *	6/2004	Hofverberg	B65D 25/10
					206/438
2005/0173276	A1 *	8/2005	Hsu	G11B 33/0405
					206/320
2007/0256946	A1 *	11/2007	Godshaw	B65D 25/10
					206/320
2009/0114556	A1 *	5/2009	Tai	H04M 1/185
					206/320

* cited by examiner

FIG. 1

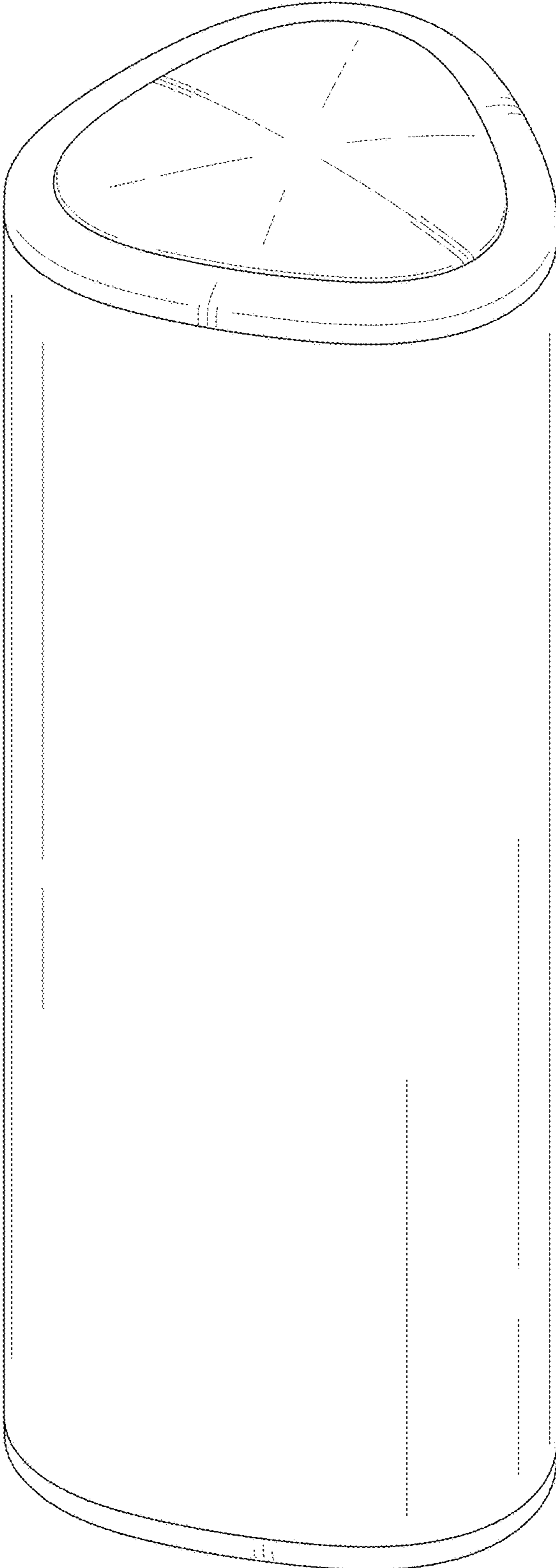


FIG. 2

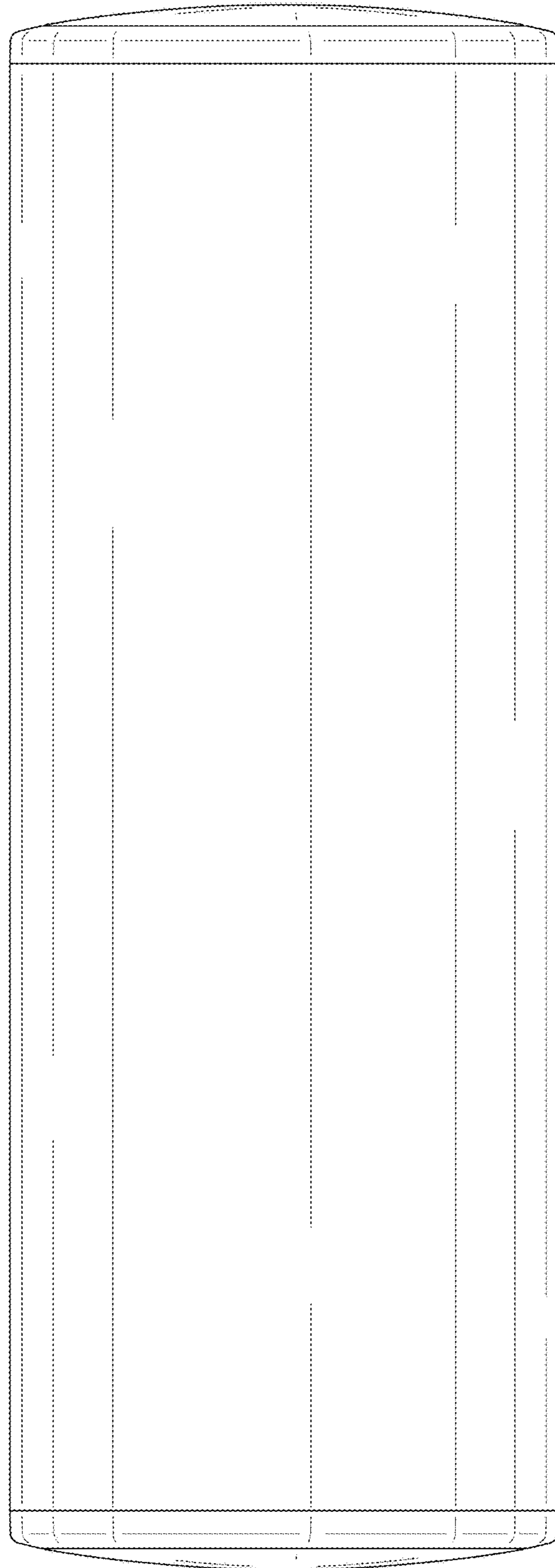


FIG. 3

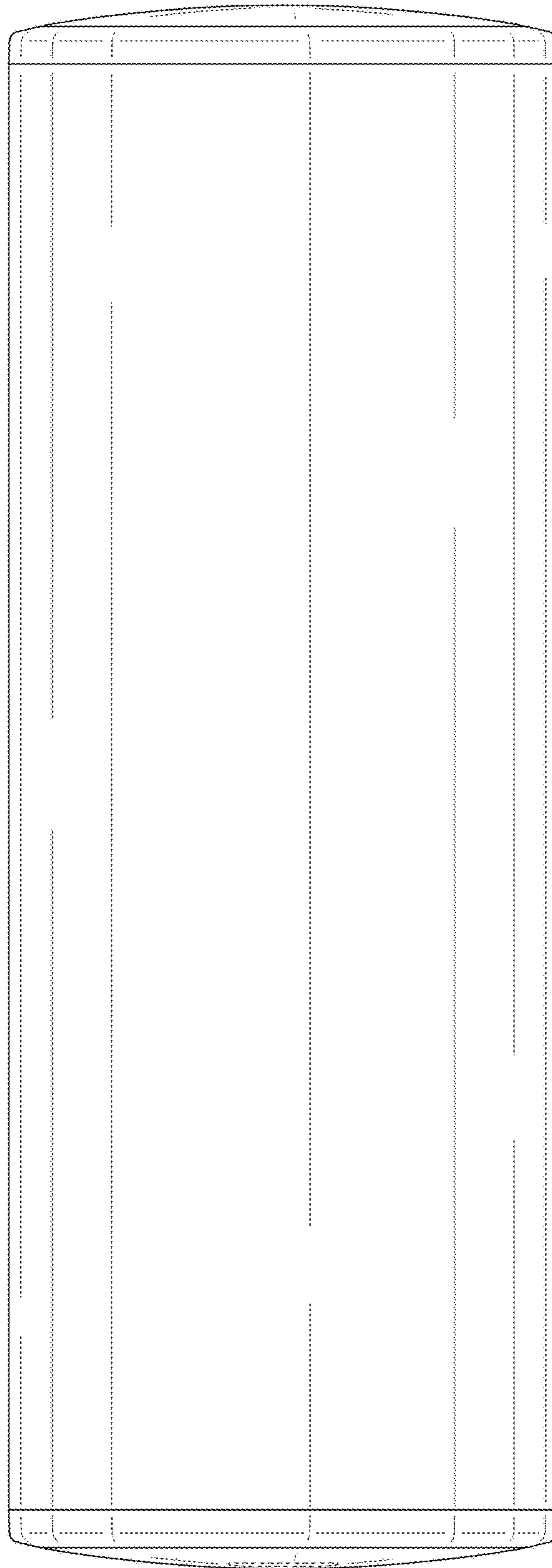


FIG. 4

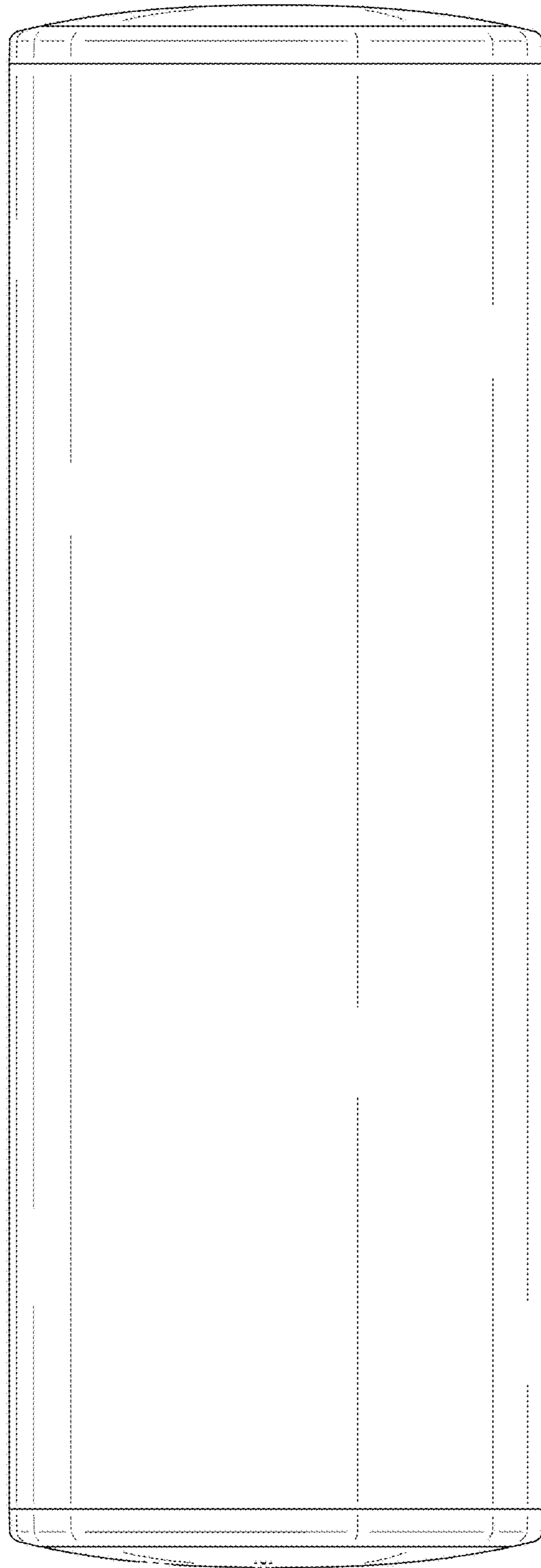


FIG. 5

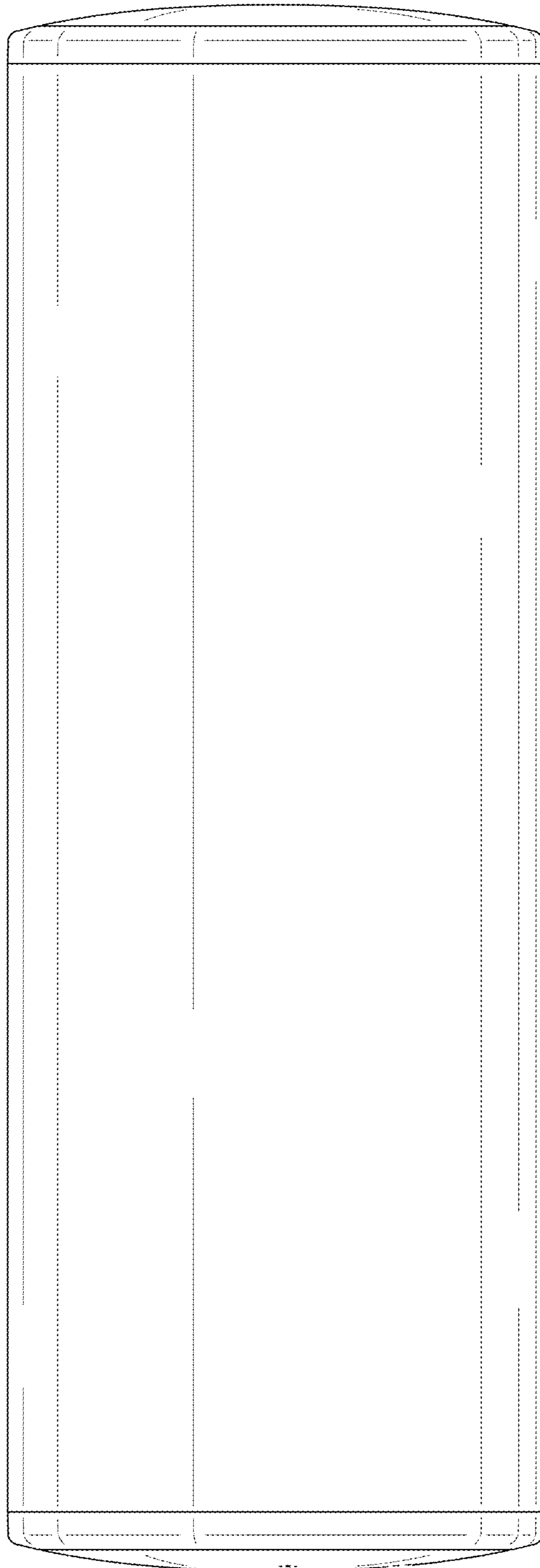


FIG. 6

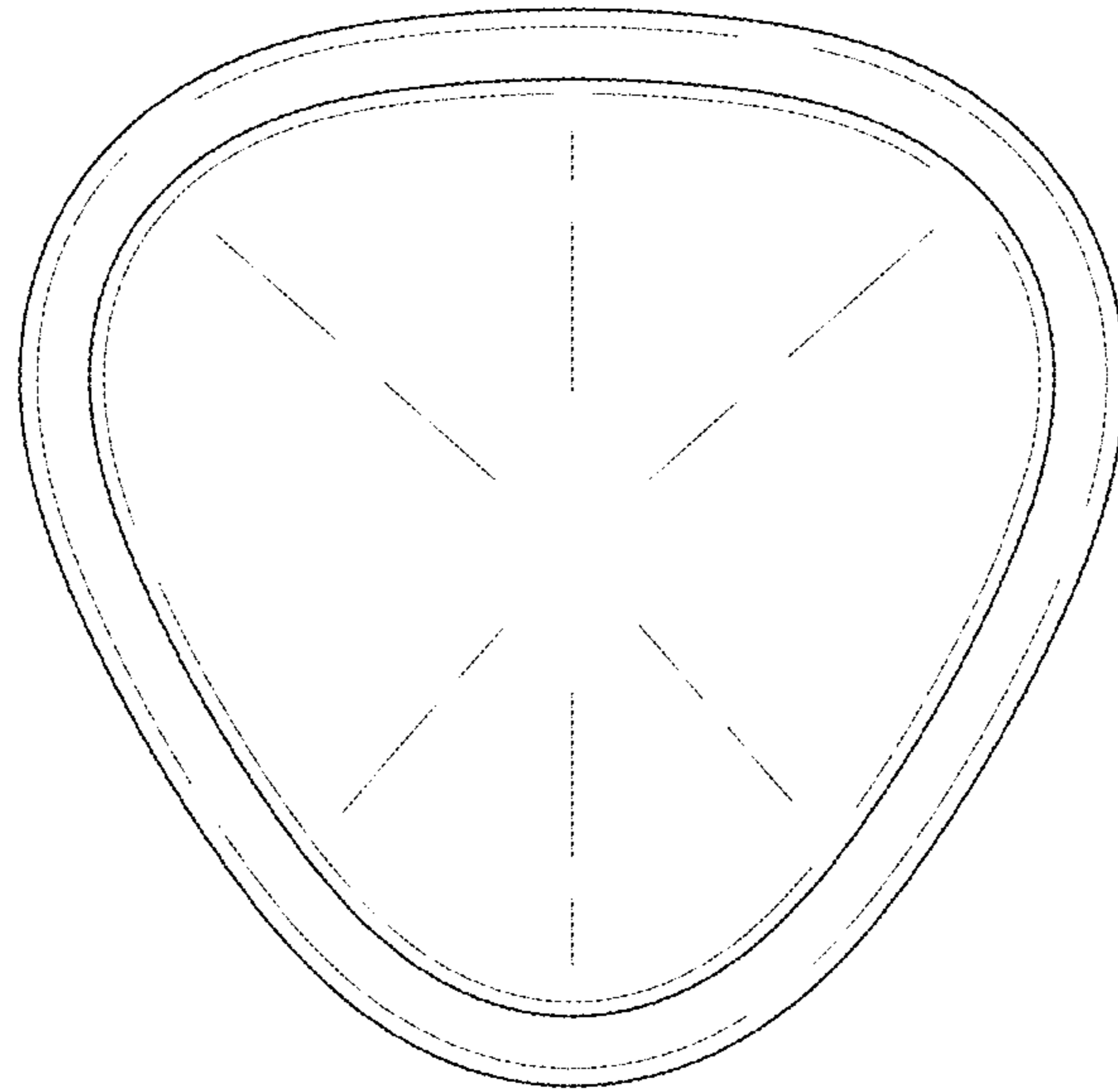


FIG. 7

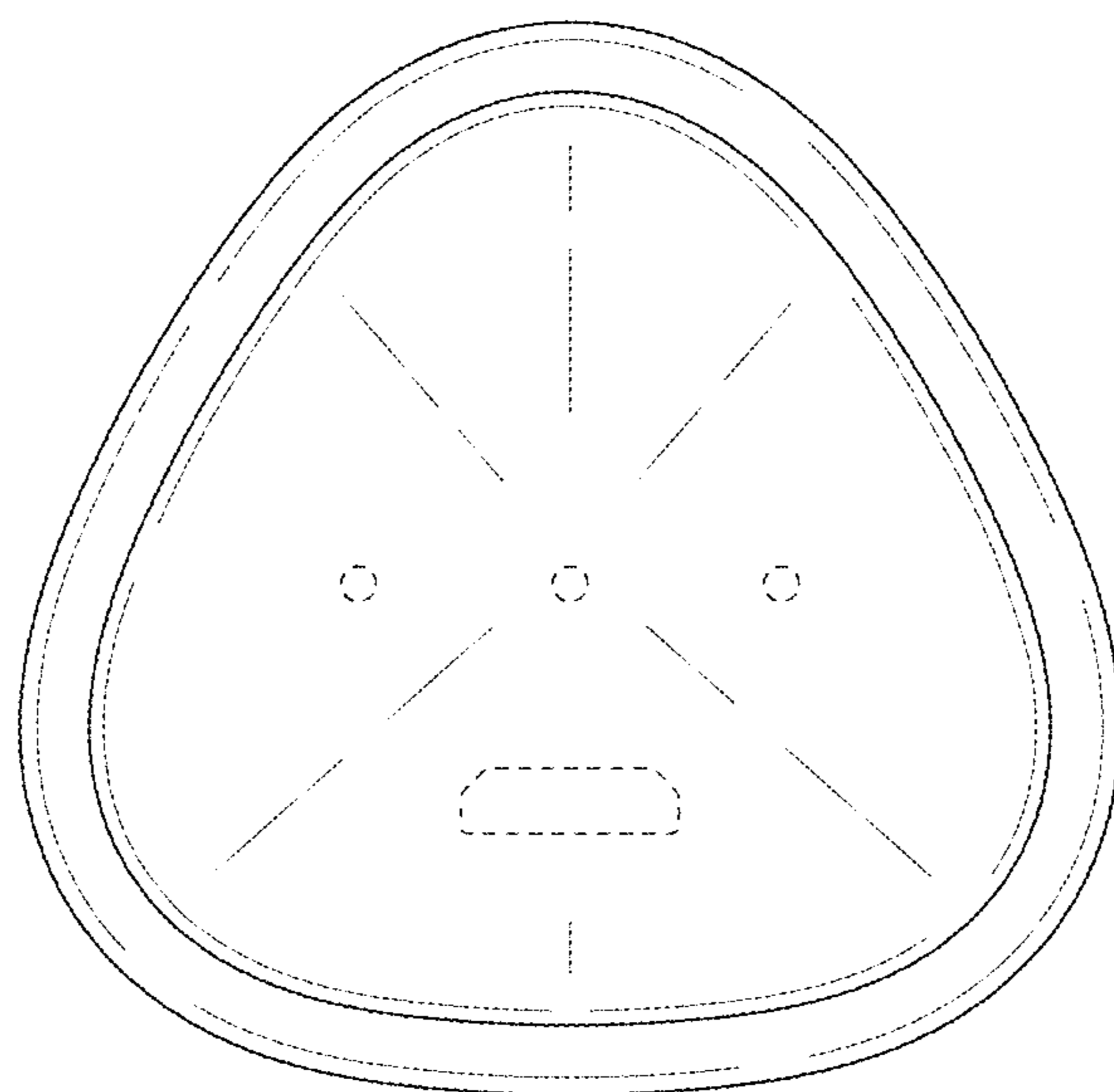


FIG. 8

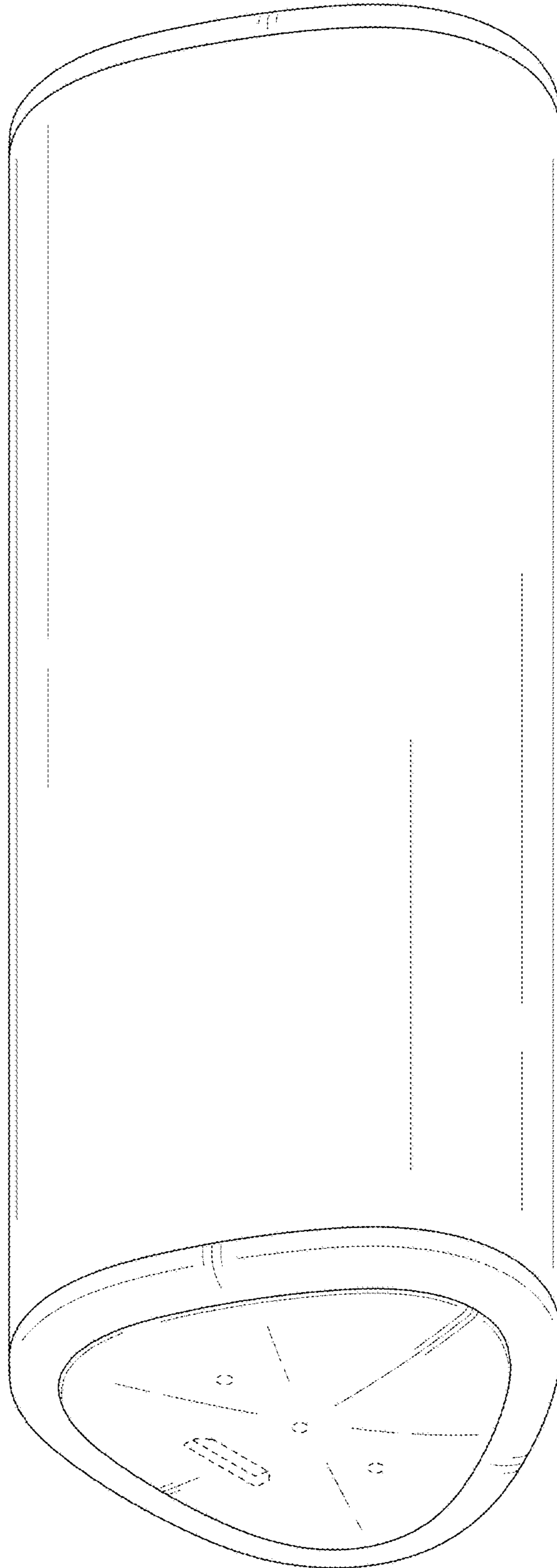


FIG. 9

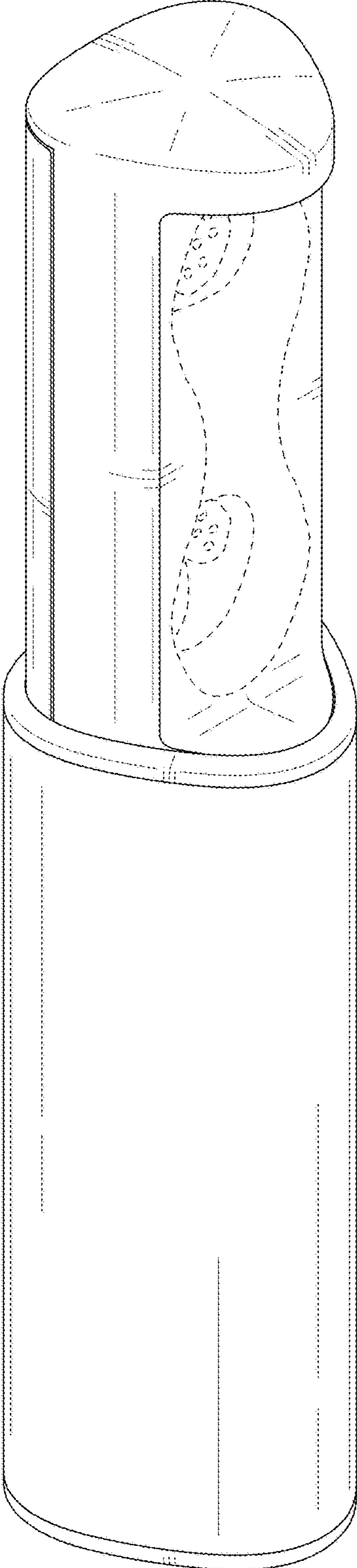


FIG. 10

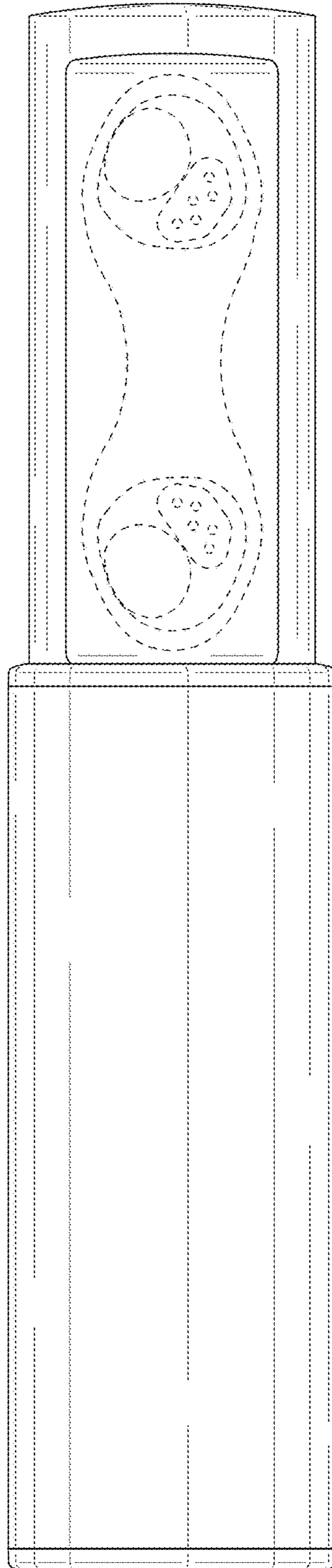


FIG. 11

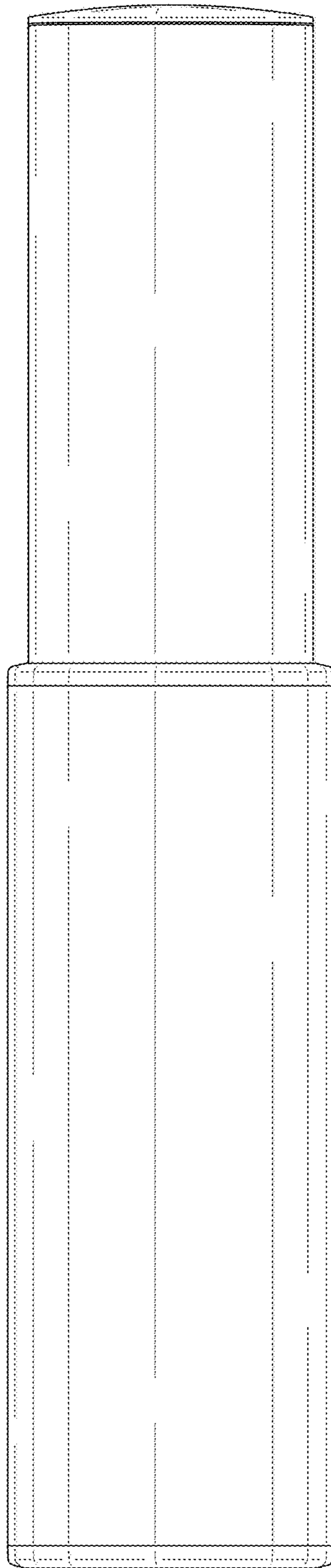


FIG. 12

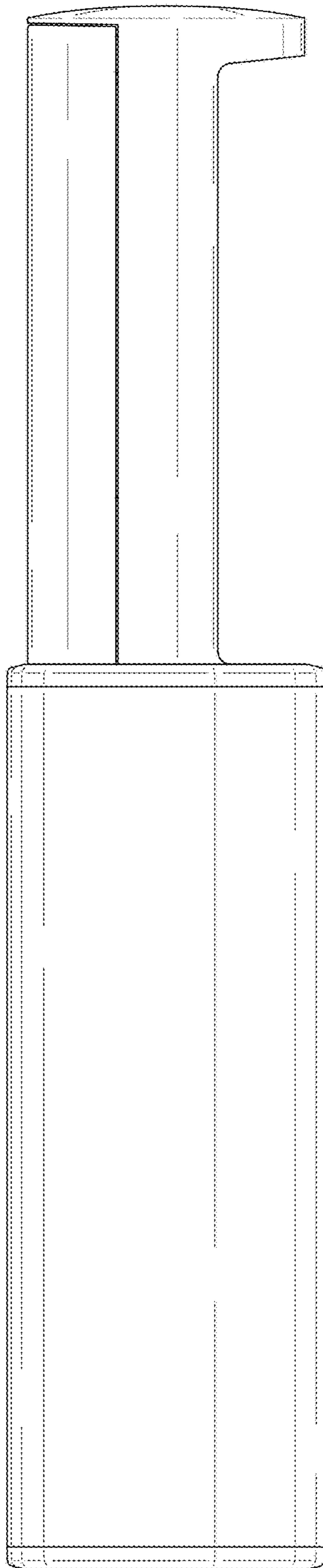


FIG. 13

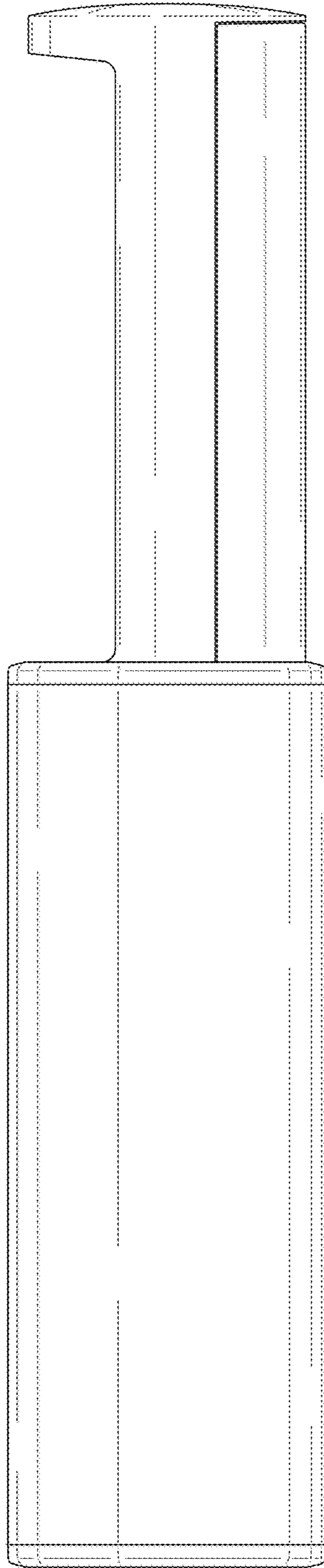


FIG. 14

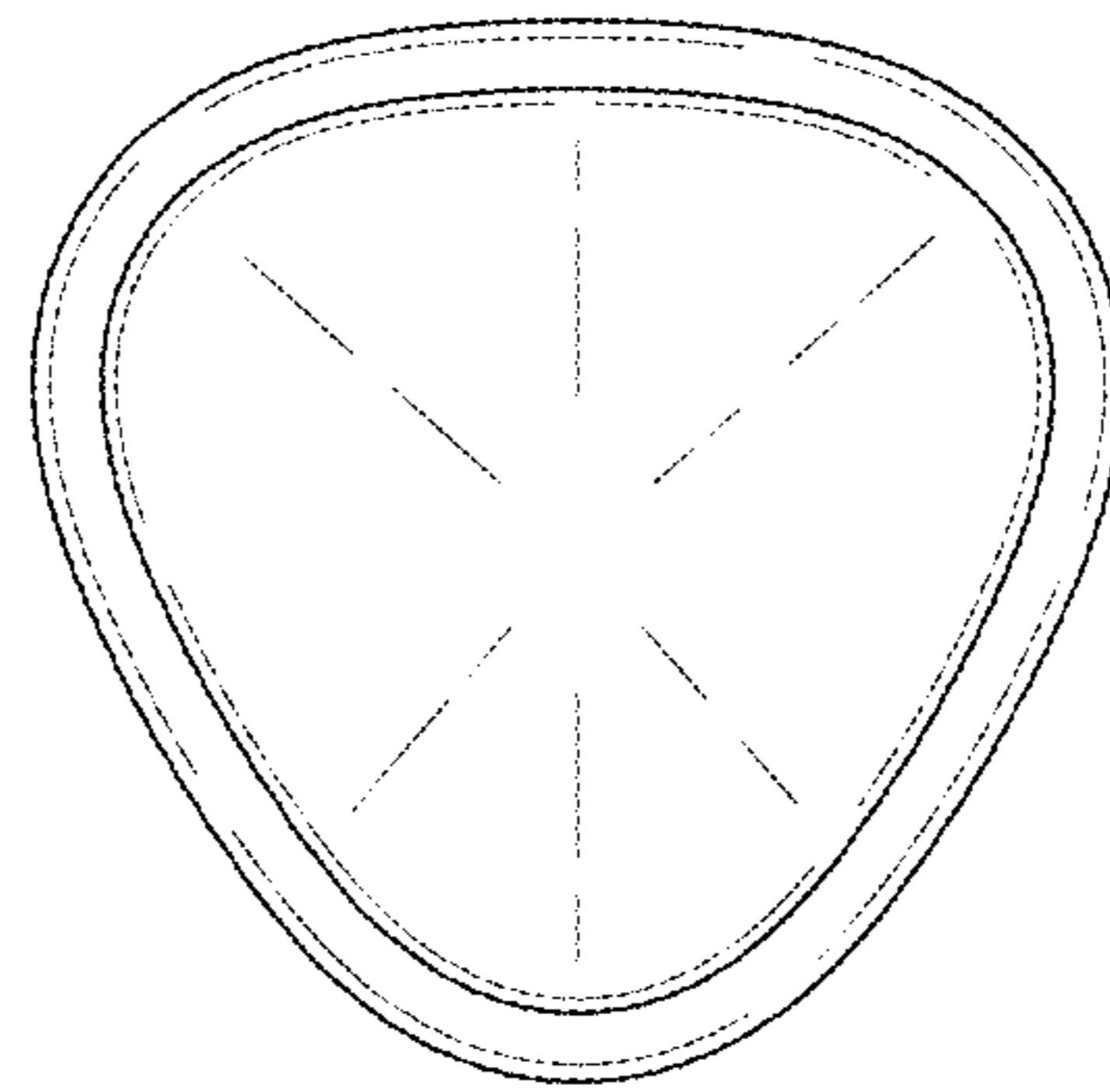


FIG. 15

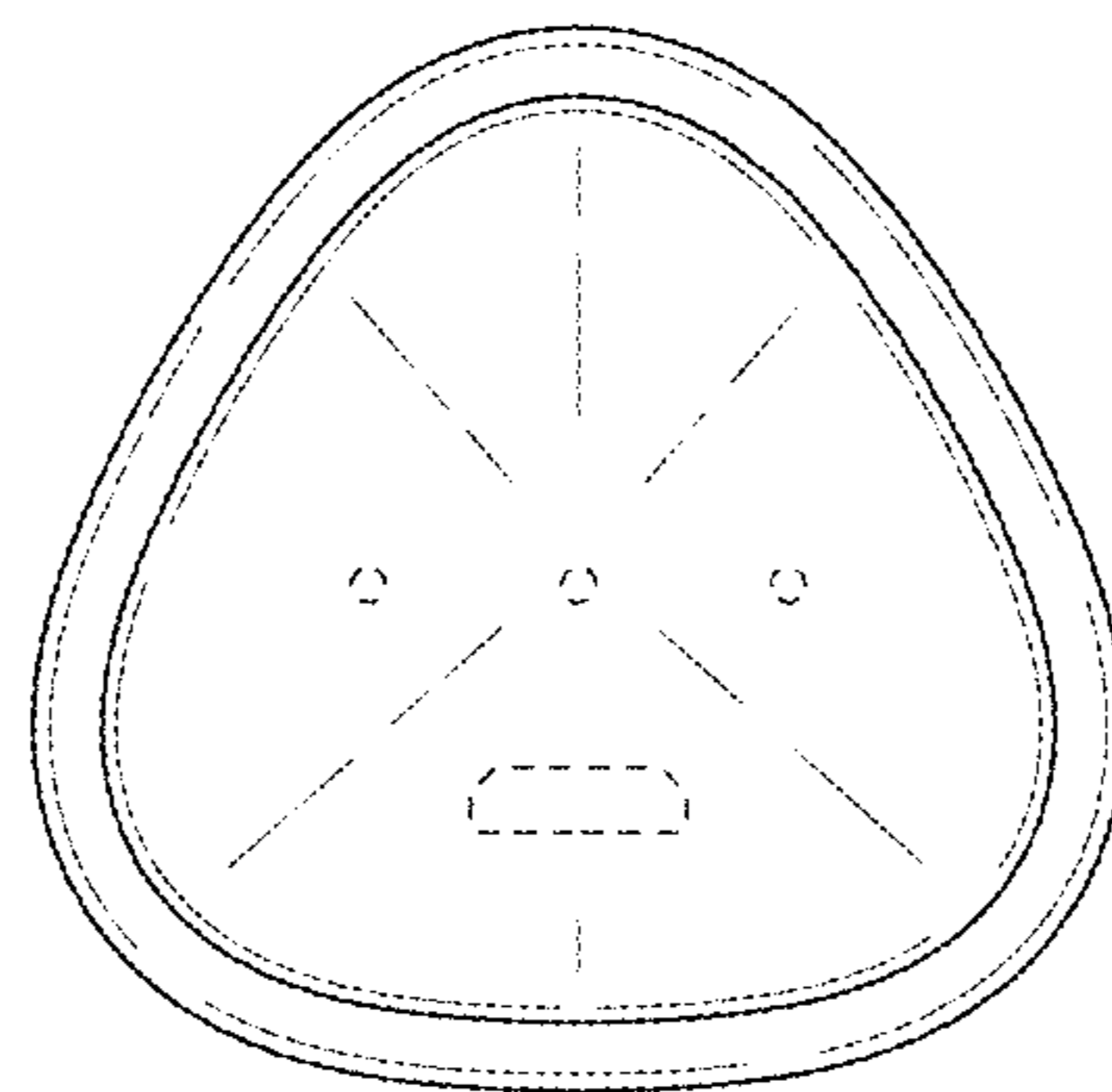


FIG. 16

