

US00D791478S

(12) **United States Design Patent**
Jowett et al.

(10) **Patent No.:** **US D791,478 S**

(45) **Date of Patent:** **** Jul. 11, 2017**

(54) **CONTAINER**

(71) Applicant: **Loadhog Limited**, Sheffield (GB)

(72) Inventors: **Leigh Jowett**, Sheffield (GB); **Matthew Bacon**, Sheffield (GB)

(73) Assignee: **Loadhog Limited** (GB)

(**) Term: **14 Years**

(21) Appl. No.: **29/510,584**

(22) Filed: **Dec. 1, 2014**

(30) **Foreign Application Priority Data**

Jun. 4, 2014 (EM) 002476879

(51) **LOC (10) Cl.** **03-01**

(52) **U.S. Cl.**
USPC **D3/294**

(58) **Field of Classification Search**
USPC D3/273, 274, 275, 276, 281, 284, 292,
D3/294, 295, 296, 297, 299, 905, 901,
D3/903, 205, 203.1, 279, 282, 242, 301,
D3/302; D9/414, 418, 420-423, 425, 428
CPC .. A45C 5/00; A45C 5/04; A45C 11/00; A45C
11/16

See application file for complete search history.

(56) **References Cited**

U.S. PATENT DOCUMENTS

D248,015 S * 5/1978 Smith D3/294
D257,528 S * 11/1980 Cherry D3/272
D271,343 S * 11/1983 Miller D3/272
D326,775 S * 6/1992 Skillius D3/281

D357,120 S * 4/1995 Miller D3/312
D382,112 S * 8/1997 Egan D3/273
D389,309 S * 1/1998 Shaw D3/276
D448,166 S * 9/2001 Zimmerman D3/273
D480,560 S * 10/2003 Tanji D3/273
D493,282 S * 7/2004 Dubois D3/273
D501,722 S * 2/2005 Zimmerman D3/273
D519,734 S * 5/2006 Richardson D3/273
D657,143 S * 4/2012 Jowett D3/272
D735,995 S * 8/2015 Lin D3/294

* cited by examiner

Primary Examiner — Sandra Snapp

Assistant Examiner — Holly E Thurman

(74) *Attorney, Agent, or Firm* — Clark Hill PLC; James R. Foley

(57) **CLAIM**

The ornamental design for a container, as shown and described.

DESCRIPTION

FIG. 1 is an isometric view of the container in the closed position;

FIG. 2 is an isometric view of the container in the open position;

FIG. 3 is a side view of the container in the closed position;

FIG. 4 is an end view of the container in the closed position;

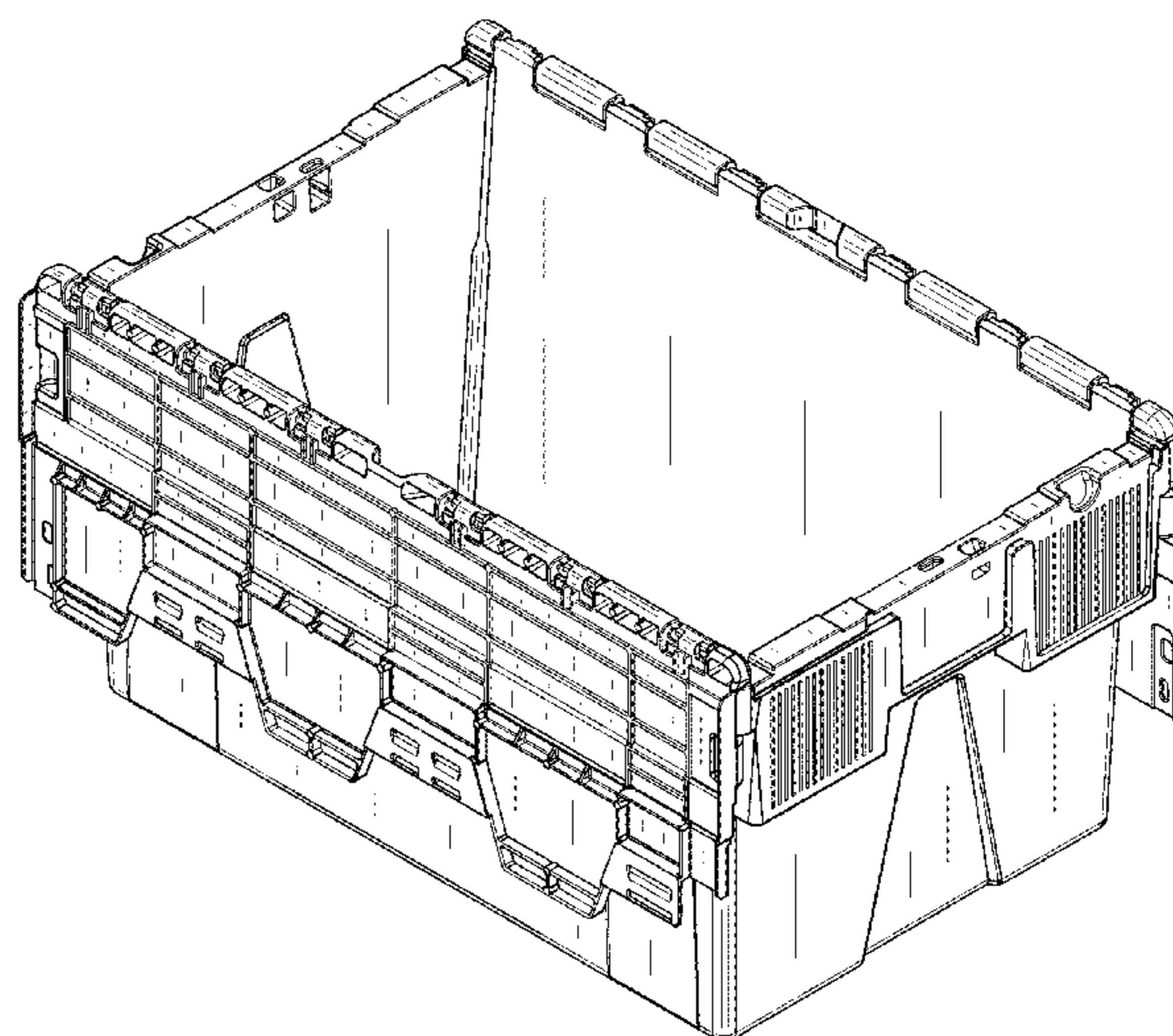
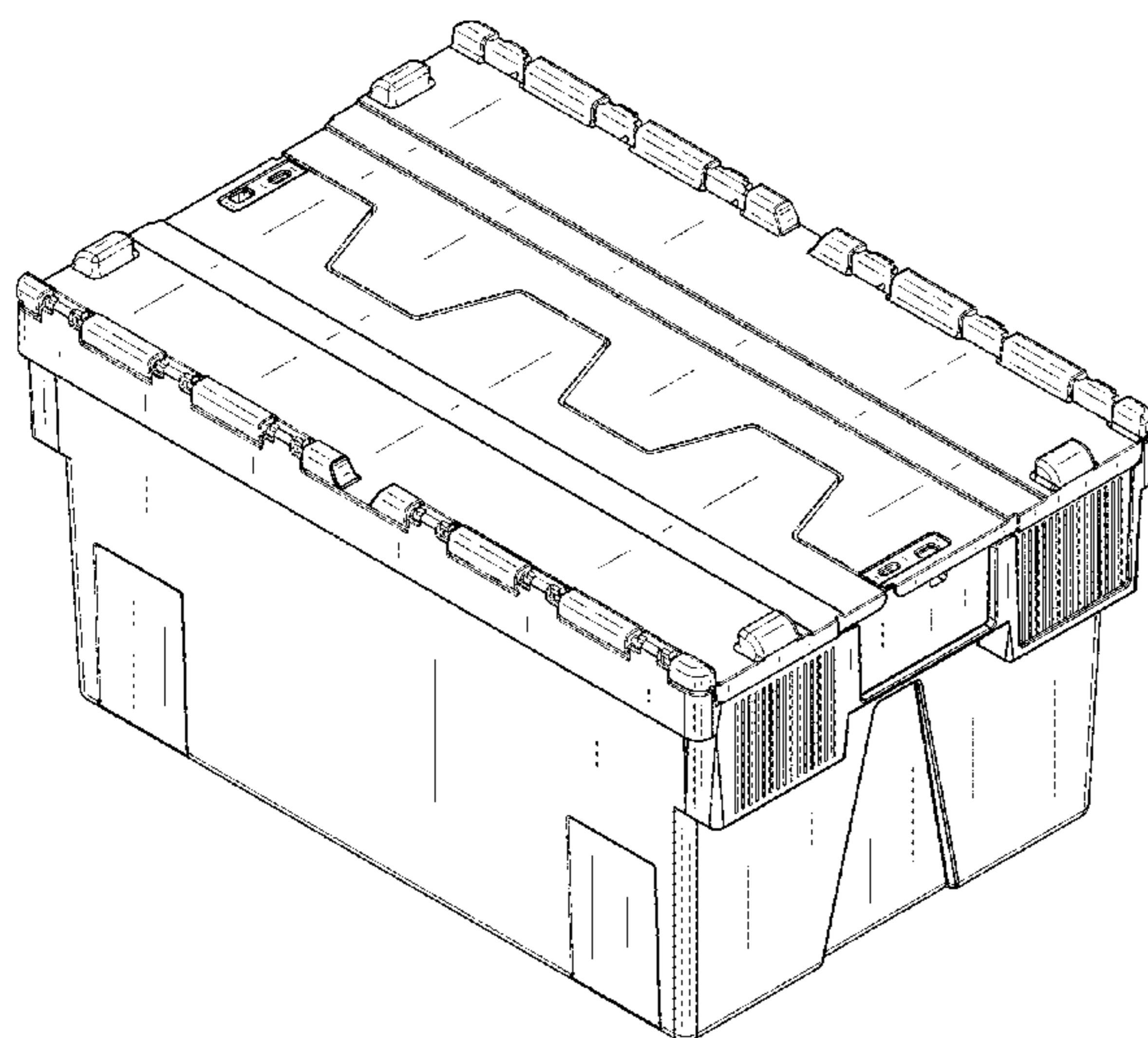
FIG. 5 is a top view of the container in the closed position;

FIG. 6 is a bottom view of the container in the closed position;

FIG. 7 is a side view of the container in the open position; and,

FIG. 8 is a top view of the container in the open position.

1 Claim, 8 Drawing Sheets



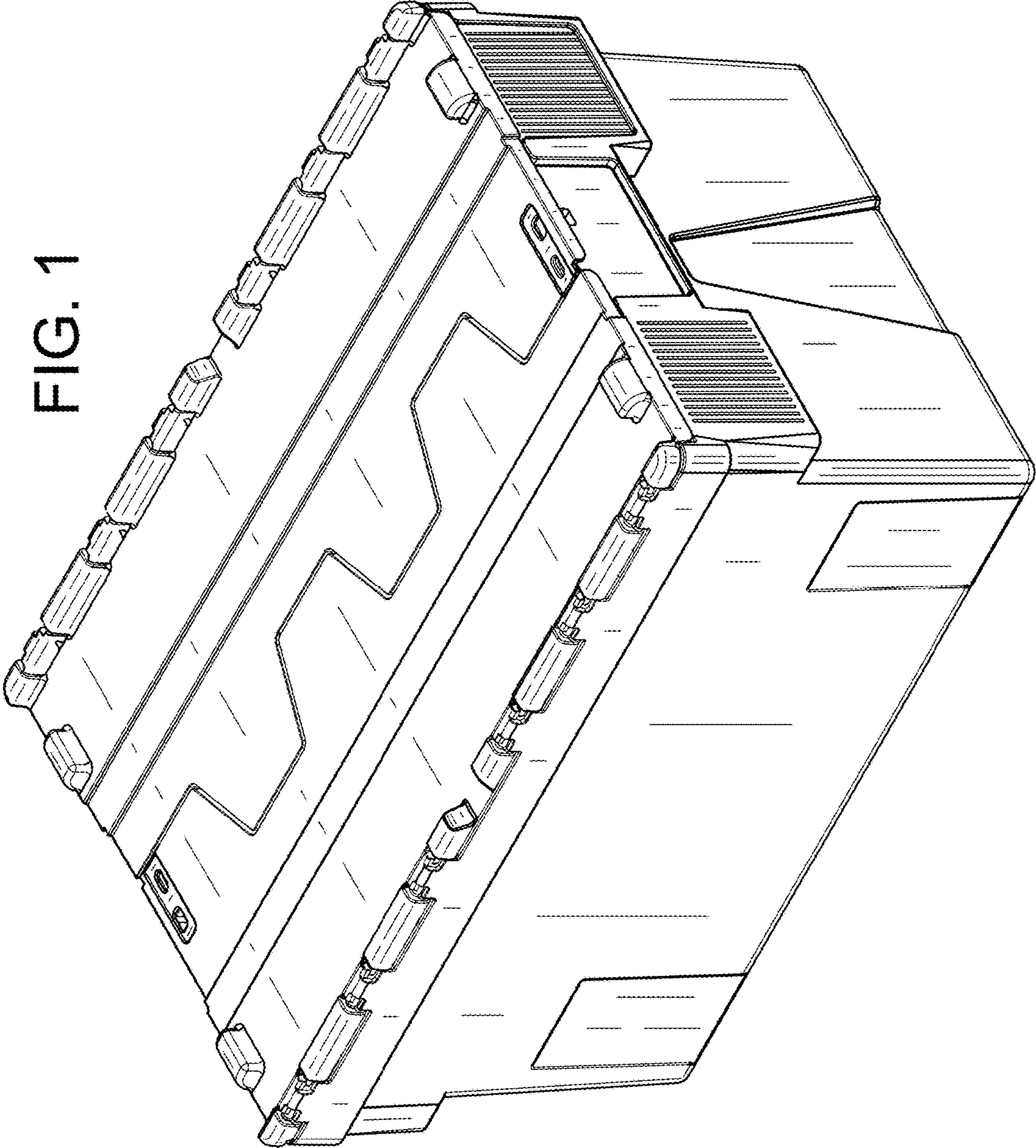


FIG. 1

FIG. 2

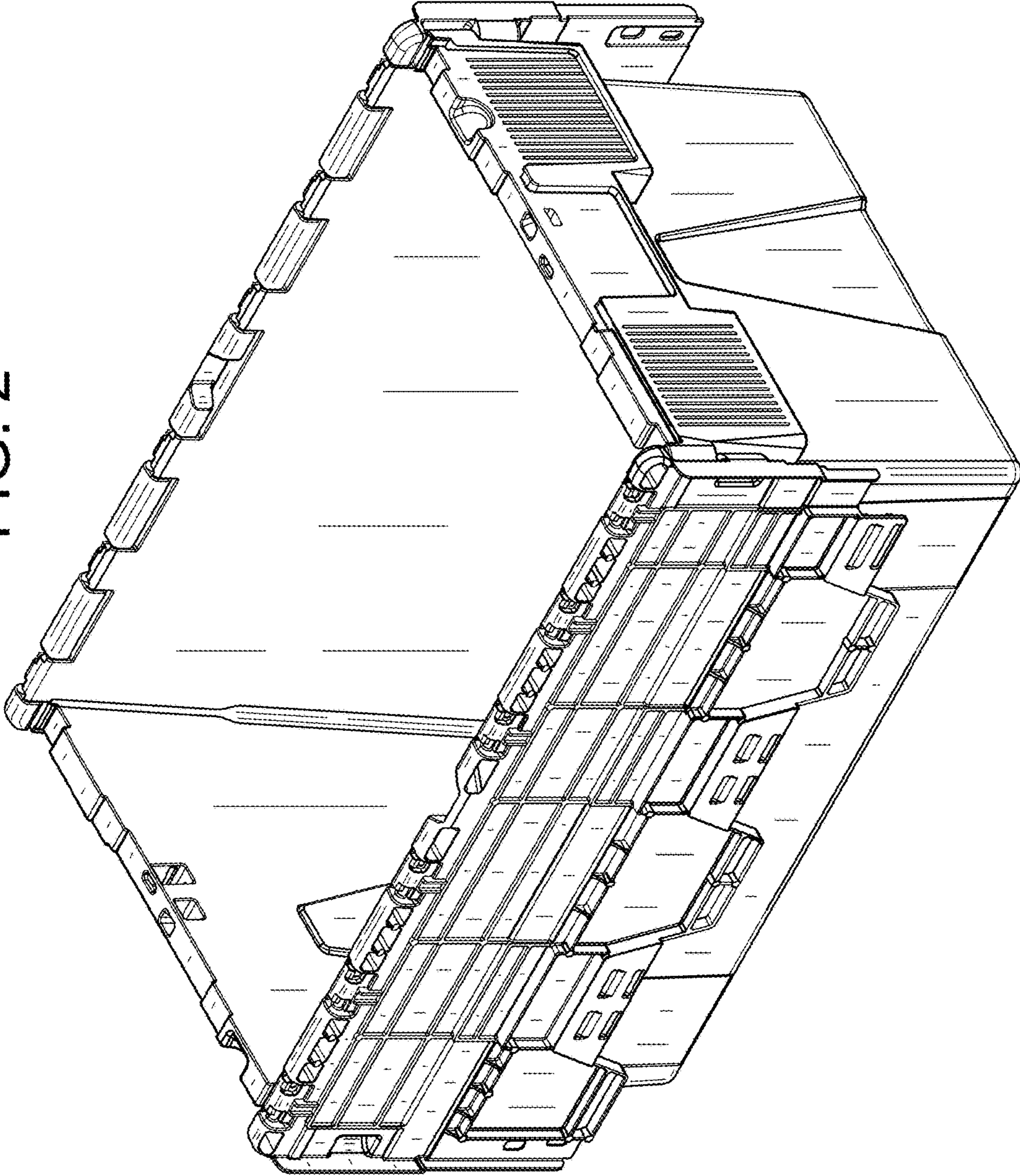


FIG. 3

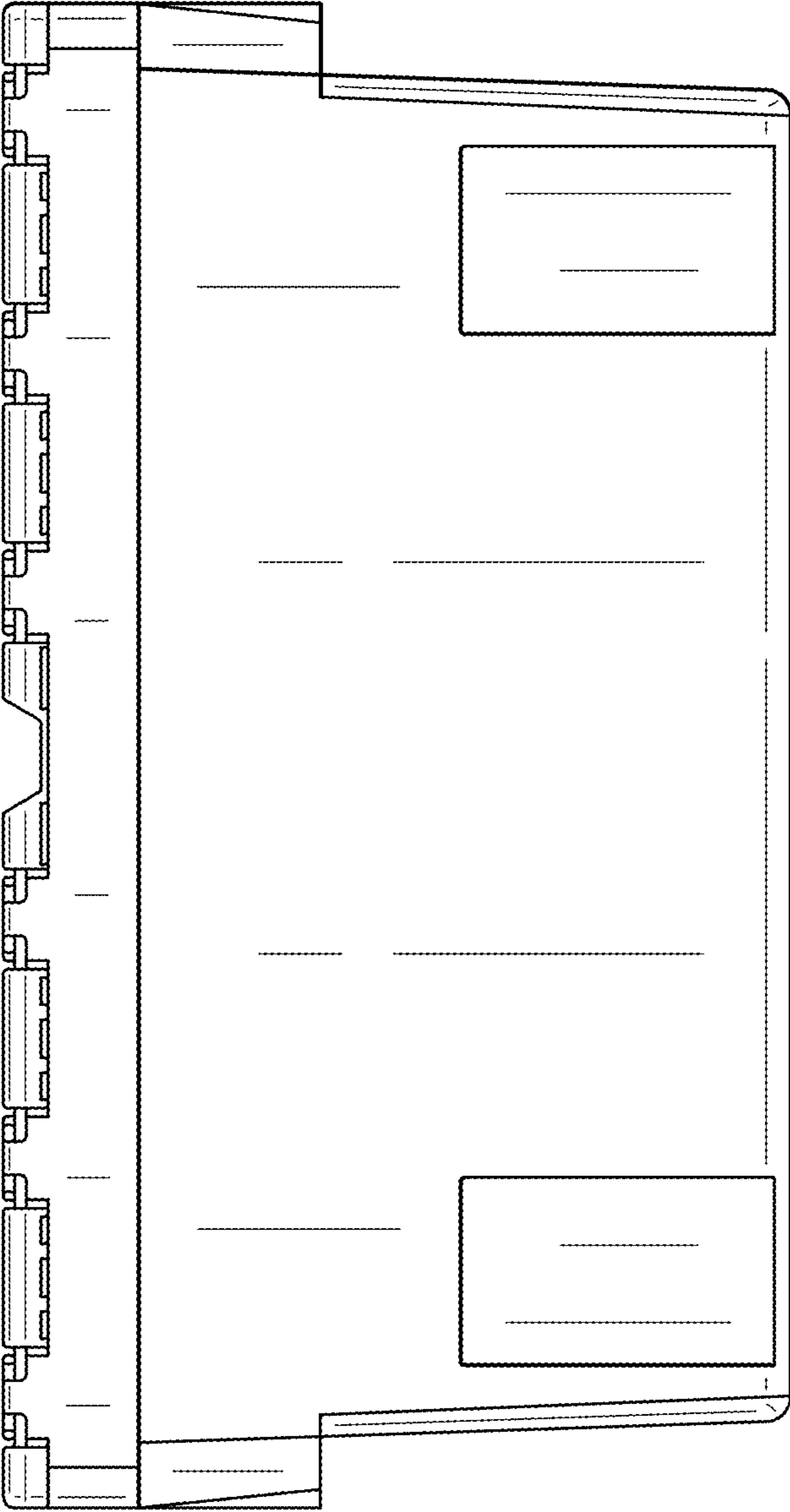


FIG. 4

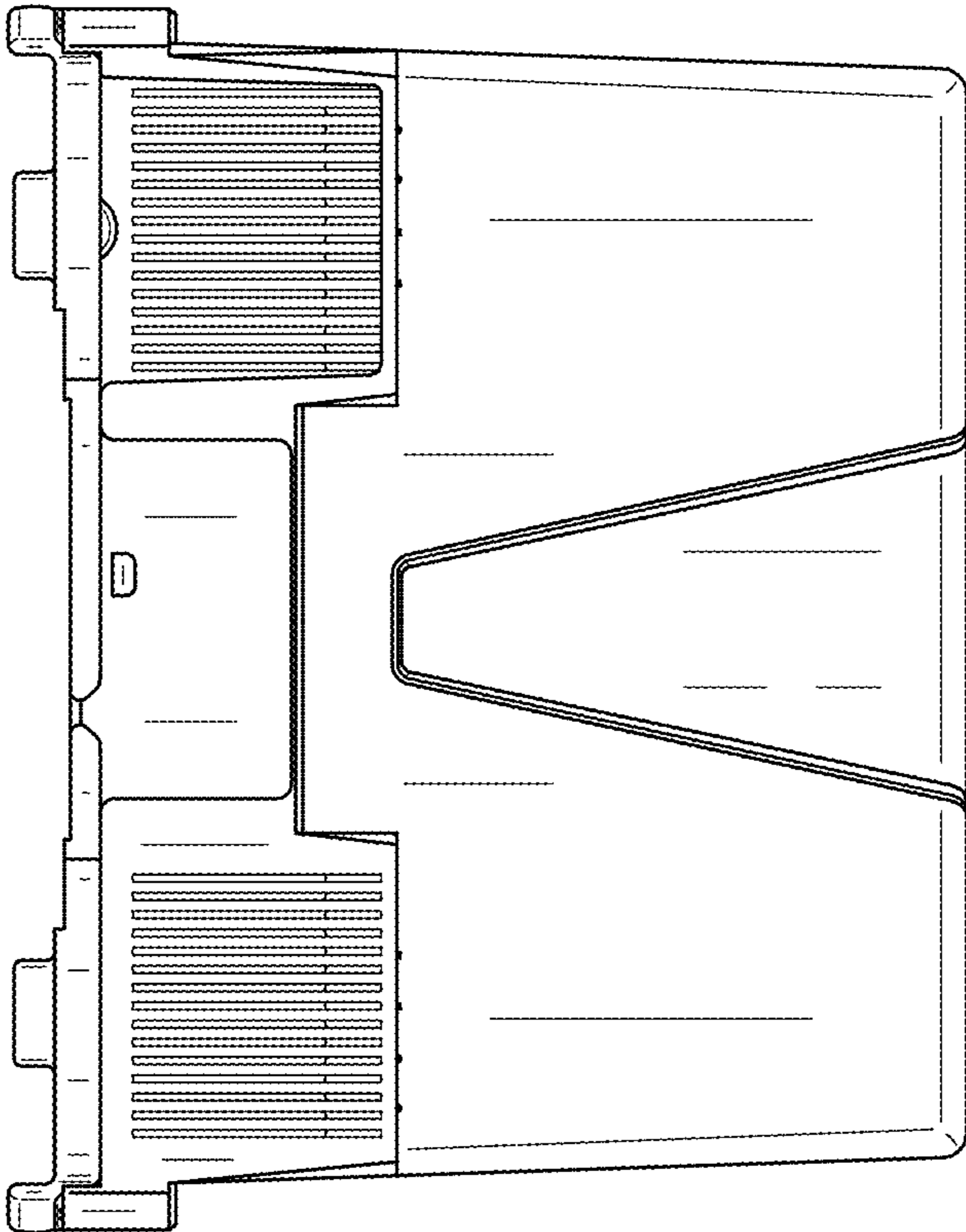


FIG. 5

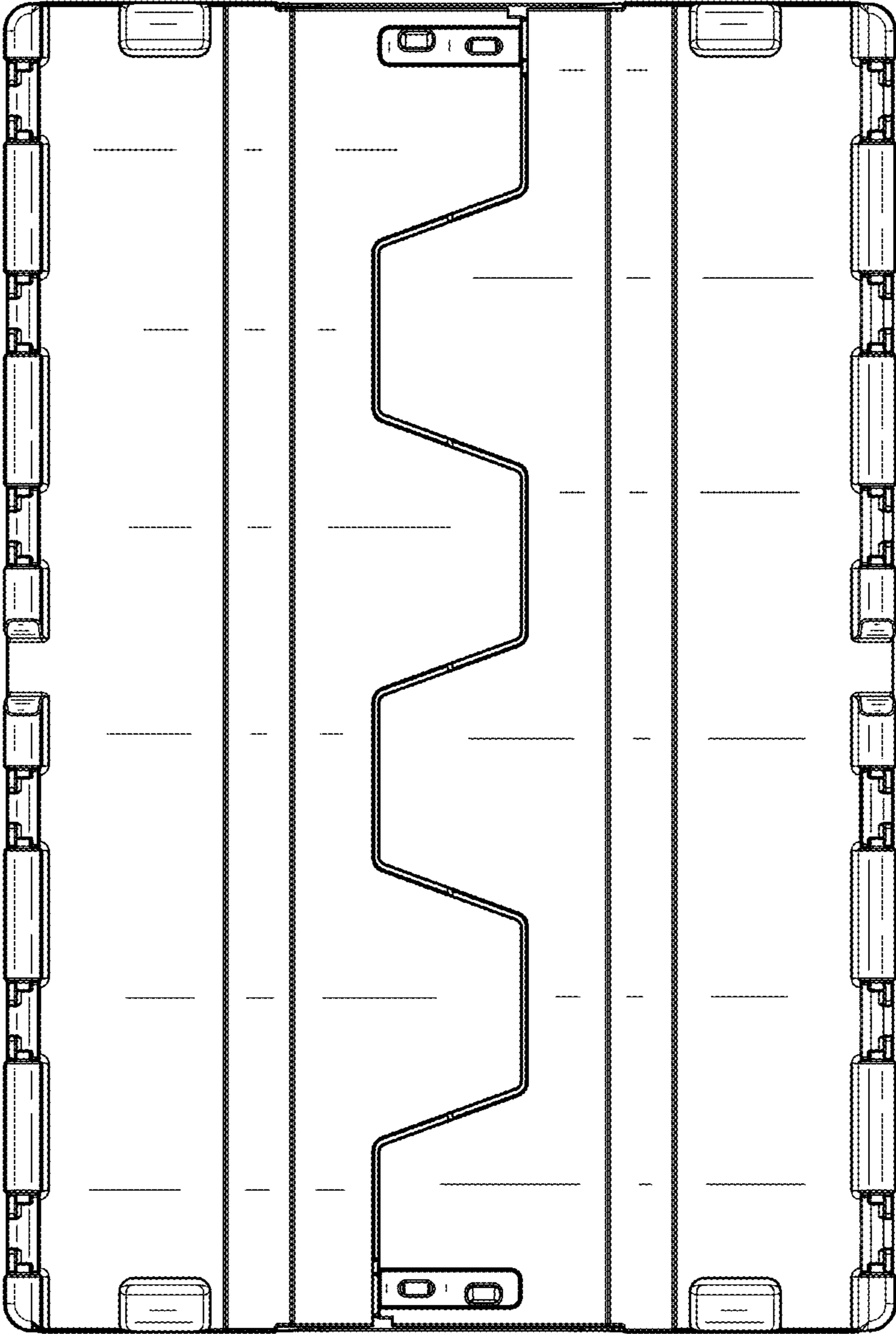


FIG. 6

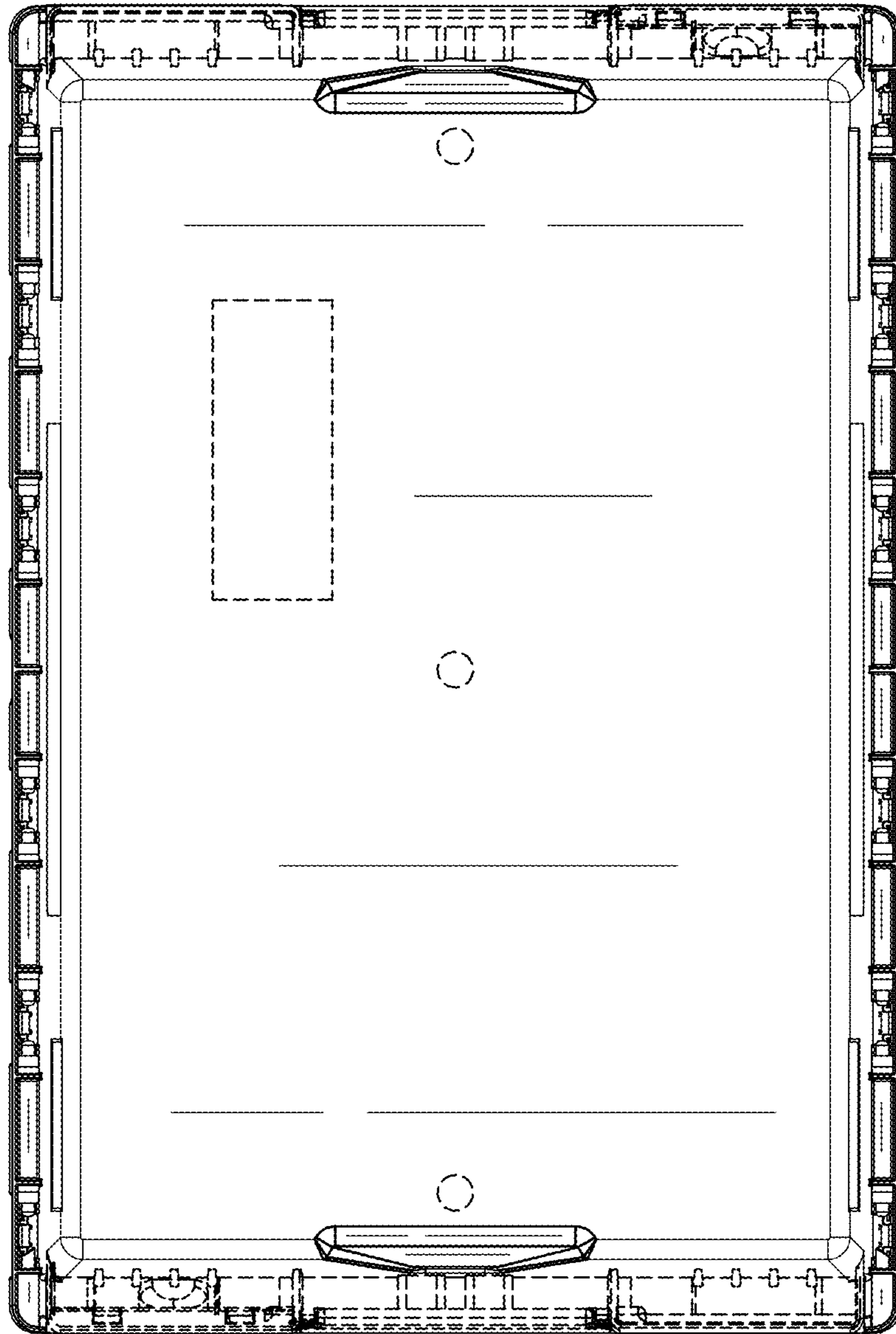


FIG. 7

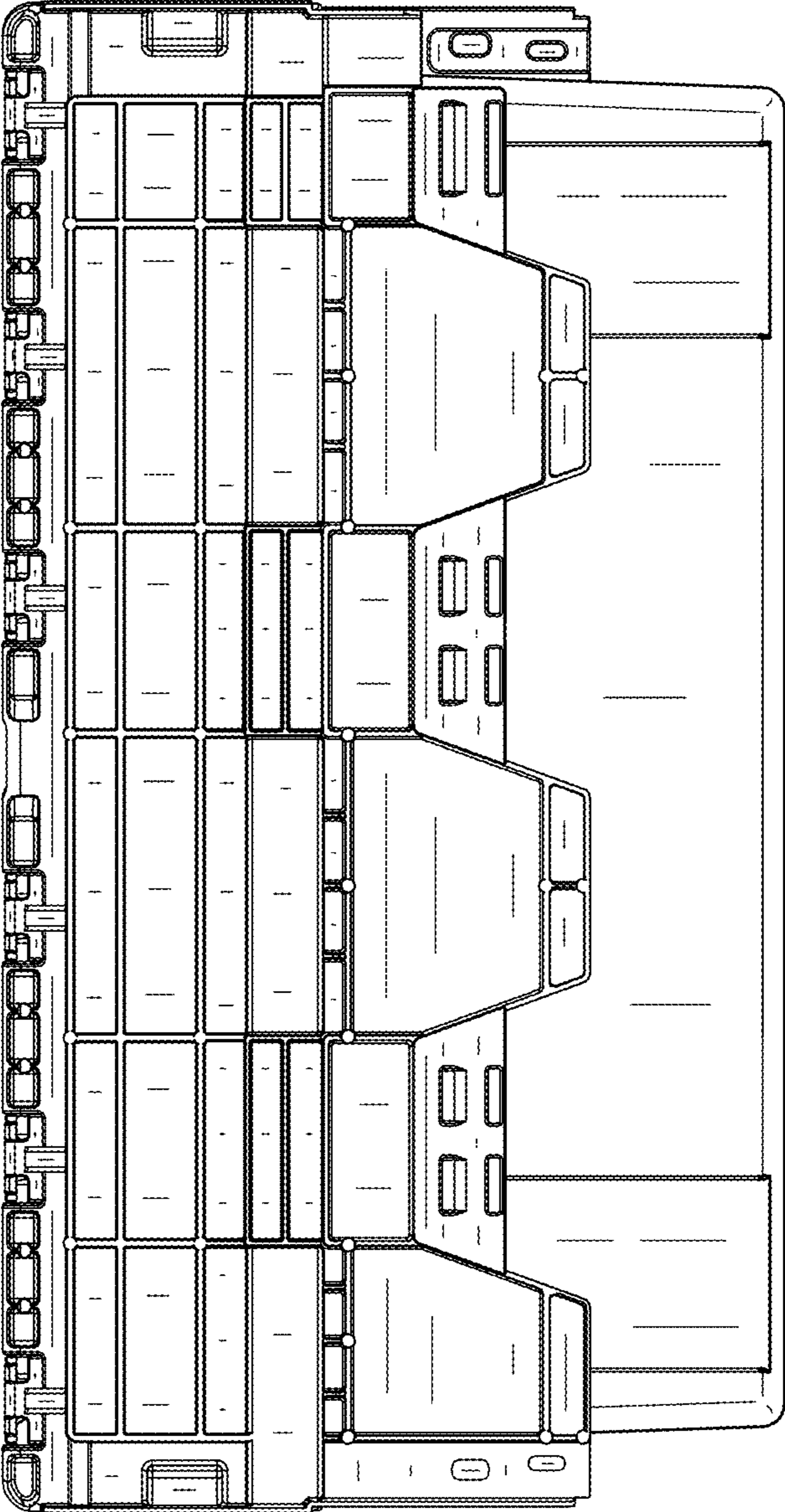


FIG. 8

