



US00D791477S

(12) **United States Design Patent** (10) **Patent No.:** **US D791,477 S**
Liu (45) **Date of Patent:** **** Jul. 11, 2017**

- (54) **SUITCASE**
- (71) Applicant: **JIAXING ZHIBANG SUITCASE CO., LTD.**, Jiaxing, Zhejiang (CN)
- (72) Inventor: **Bangjian Liu**, Zhejiang (CN)
- (73) Assignee: **JIAXING ZHIBANG SUITCASE CO., LTD.**, Jiaxing (CN)
- (**) Term: **15 Years**
- (21) Appl. No.: **29/579,989**
- (22) Filed: **Oct. 5, 2016**
- (30) **Foreign Application Priority Data**
- Aug. 31, 2016 (CN) 2016 3 0456378
- (51) **LOC (10) Cl.** **03-01**
- (52) **U.S. Cl.**
USPC **D3/279**; D3/281
- (58) **Field of Classification Search**
USPC D3/273, 276, 279, 281, 282, 289, 291, D3/902, 272
CPC A45C 5/00; A45C 5/03; A45C 2005/037; A45C 5/14; A45C 7/0027; A45C 7/0018; A45C 2005/032; A45C 2005/035; A45C 5/04
- See application file for complete search history.

- (56) **References Cited**
- U.S. PATENT DOCUMENTS
- | | | | | | |
|------------|---|---------|--------------|-------|--------|
| D625,517 S | * | 10/2010 | Rossi | | D3/272 |
| D629,200 S | * | 12/2010 | Turella-Yuan | | D3/279 |
| D659,395 S | * | 5/2012 | Sijmons | | D3/279 |
| D710,610 S | * | 8/2014 | Sijmons | | D3/279 |
| D711,104 S | * | 8/2014 | Lai | | D3/279 |
| D711,646 S | * | 8/2014 | Ke | | D3/279 |
| D722,771 S | * | 2/2015 | Wu | | D3/279 |

- | | | | | | |
|------------------|---|---------|---------|-------|-------------------------|
| D740,557 S | * | 10/2015 | Liao | | D3/279 |
| D740,558 S | * | 10/2015 | Liao | | D3/279 |
| D771,382 S | * | 11/2016 | Maeda | | D3/279 |
| D783,282 S | * | 4/2017 | Sijmons | | D3/279 |
| 2014/0041978 A1* | | 2/2014 | Chang | | A45C 7/0018
190/18 A |
| 2017/0079398 A1* | | 3/2017 | Reh | | A45C 13/42 |

OTHER PUBLICATIONS

AliExpress, "New 20 24 26 29"Large Capacity Travel Suitcases, Men Business Travelling Luggage, Women Waterproof Spinner Trolley Suitcase", First reviewed on Jan. 11, 2017, Accessed May 5, 2017. (<https://www.aliexpress.com/item/2015-New-20inch-Large-Capacity-Travel-Suitcases-Men-Business-Travelling-Luggage-Women-Waterproof-Spinner-Trolley-Suitcase>).*

Rimowa, "Classif Flight Multi-Wheel", Accessed May 5, 2017. (<https://www.rimowa.com/en-us/classic-flight-multiwheel-851-silver-suitcase/971.73.00.4>).*

* cited by examiner

Primary Examiner — Jennifer Rivard
Assistant Examiner — April Rivas

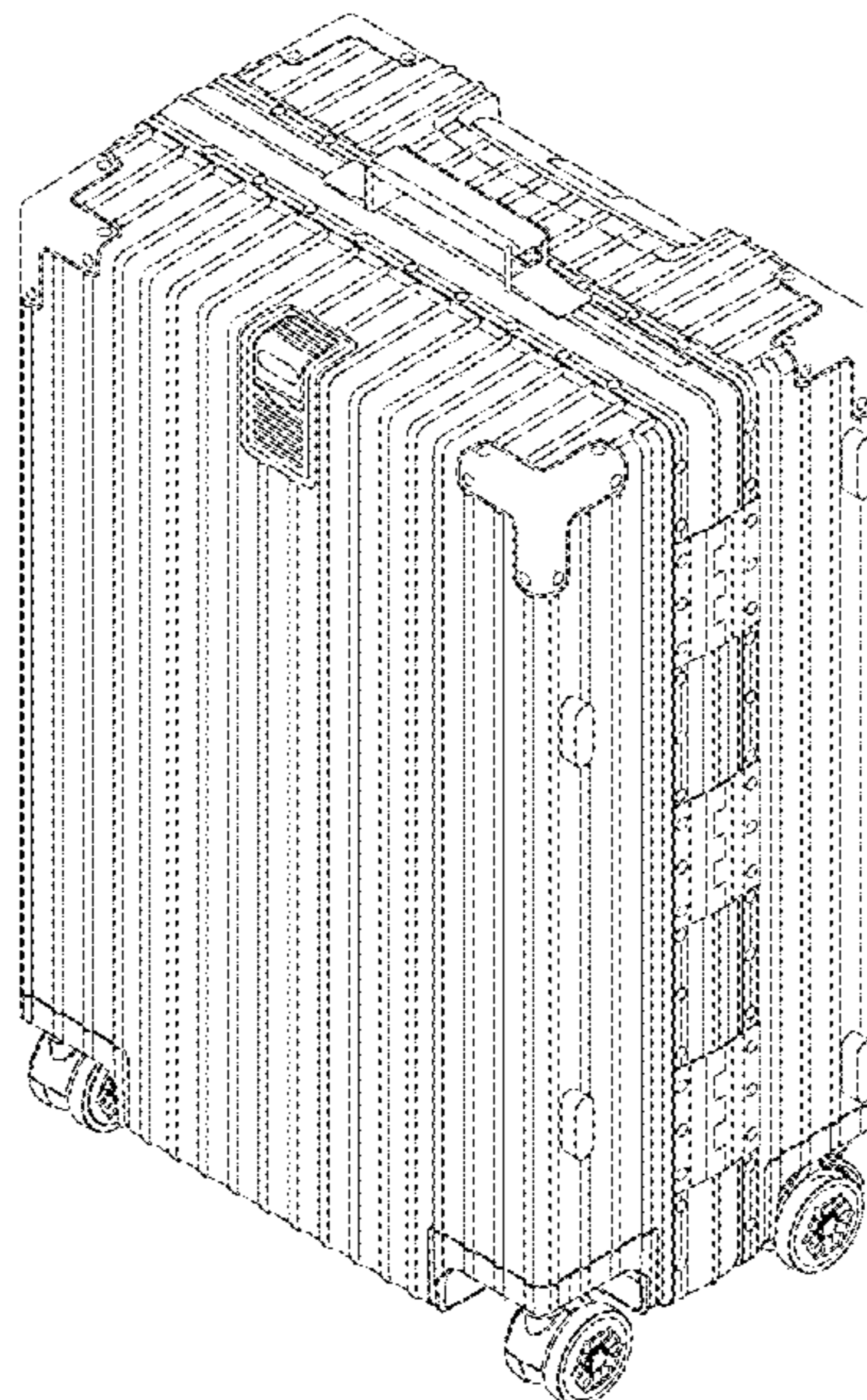
(57) **CLAIM**

The ornamental design for a suitcase, as shown and described.

DESCRIPTION

FIG. 1 is a front elevational view of a Suitcase showing my new design;
 FIG. 2 is a rear elevational view thereof;
 FIG. 3 is a left side view thereof;
 FIG. 4 is a right side view thereof;
 FIG. 5 is a top plan view thereof;
 FIG. 6 is a bottom plan view thereof;
 FIG. 7 is a front perspective view thereof; and,
 FIG. 8 is a rear perspective view thereof.

1 Claim, 8 Drawing Sheets



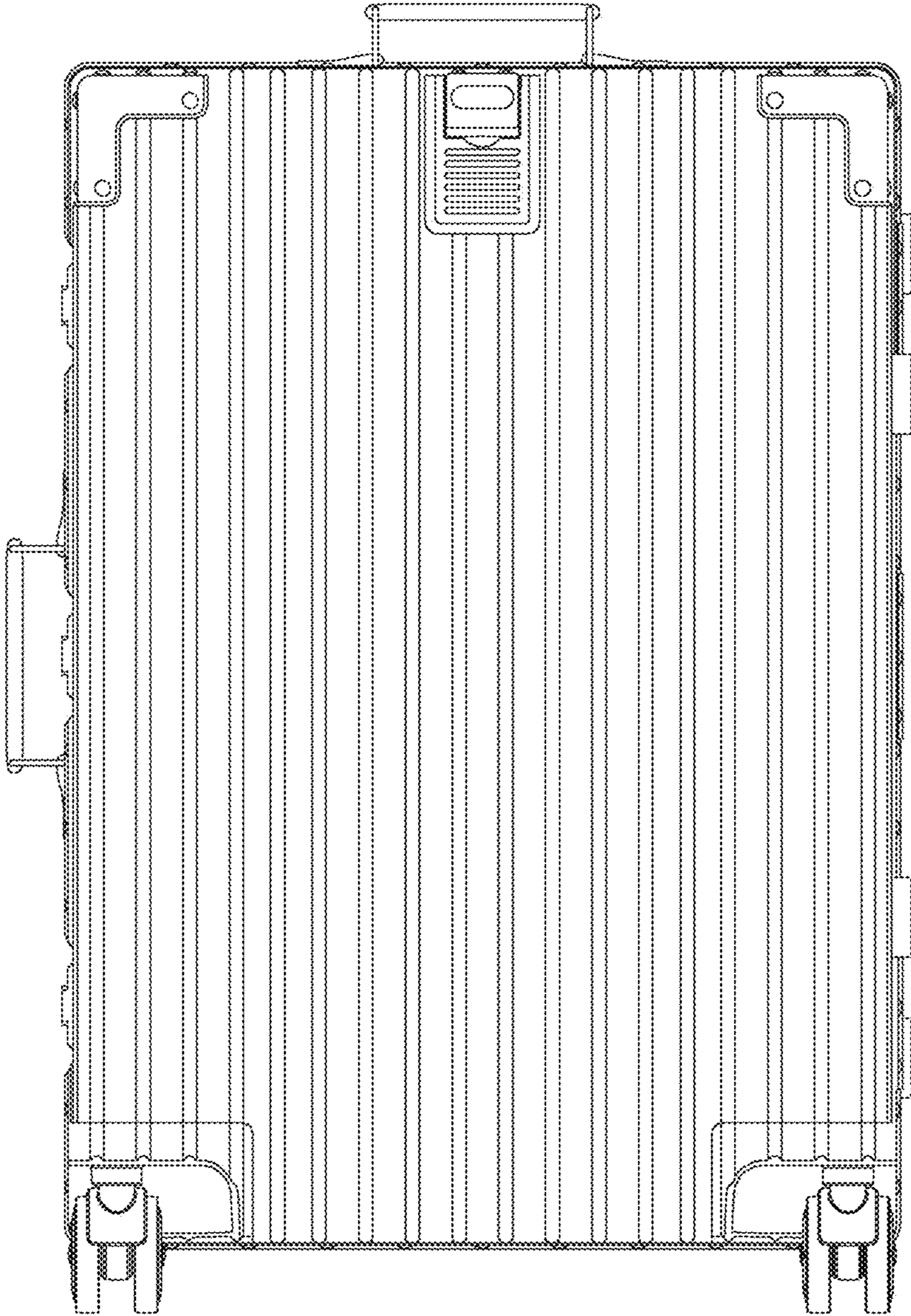


Fig. 1

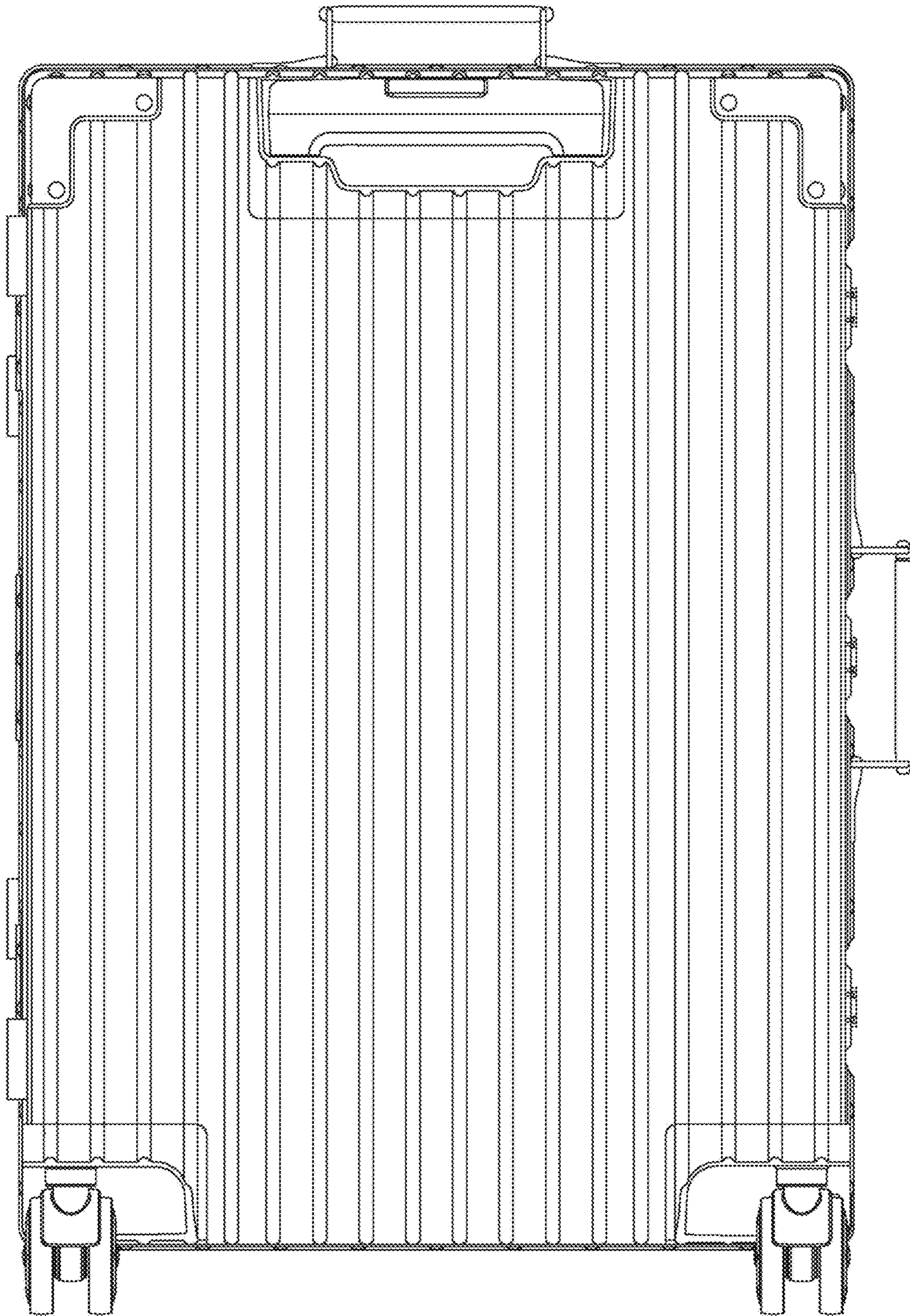


Fig. 2

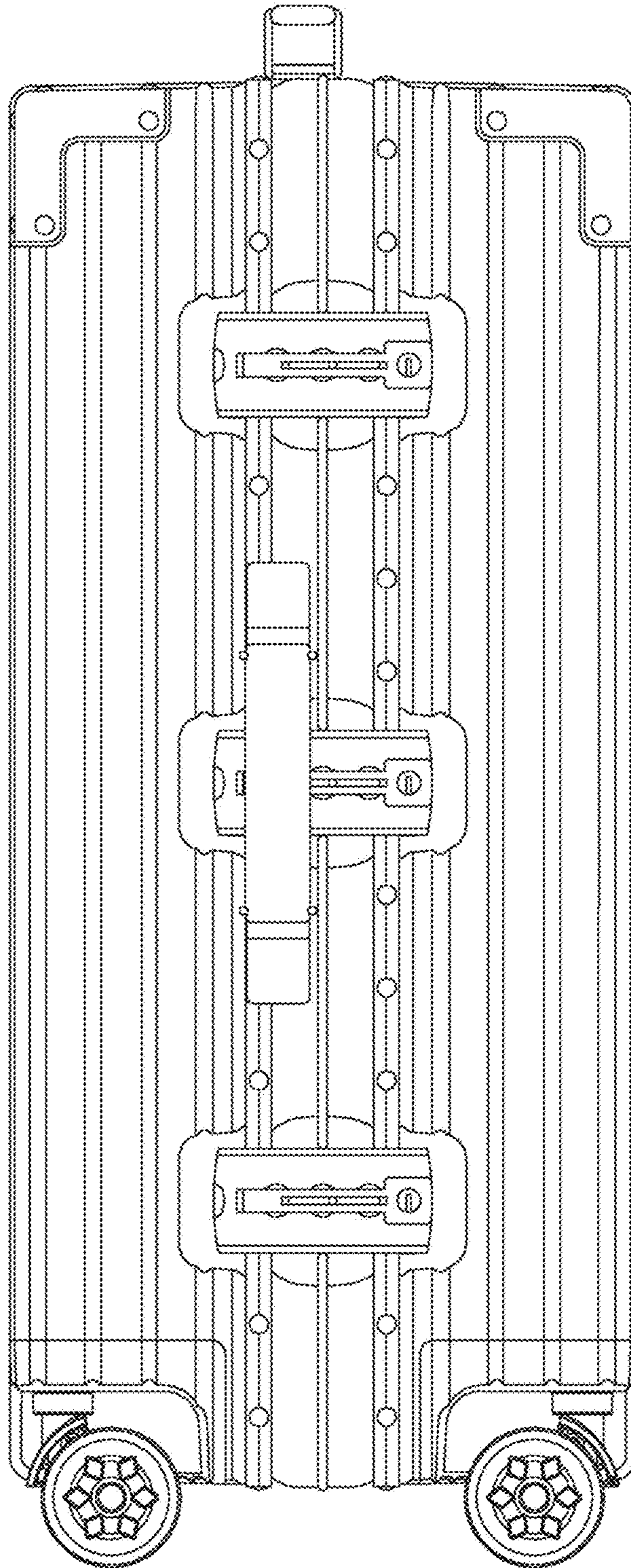


Fig. 3

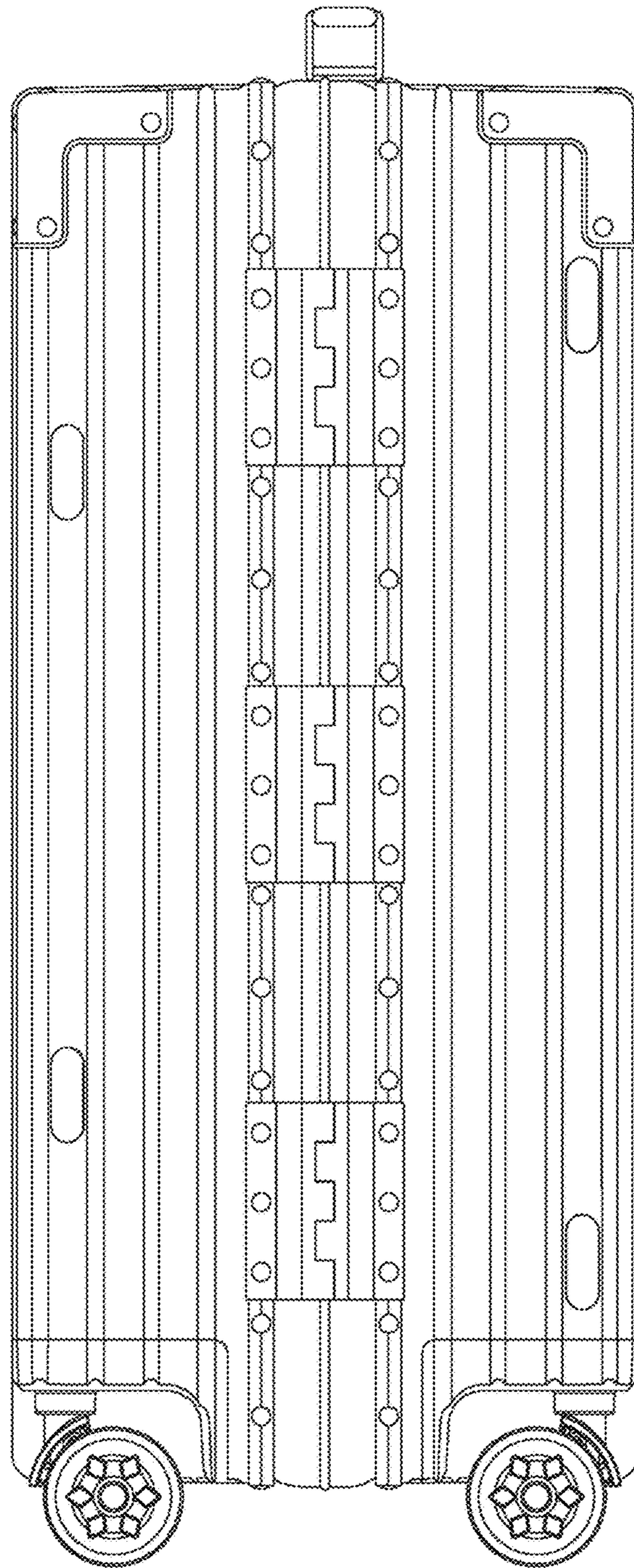


Fig. 4

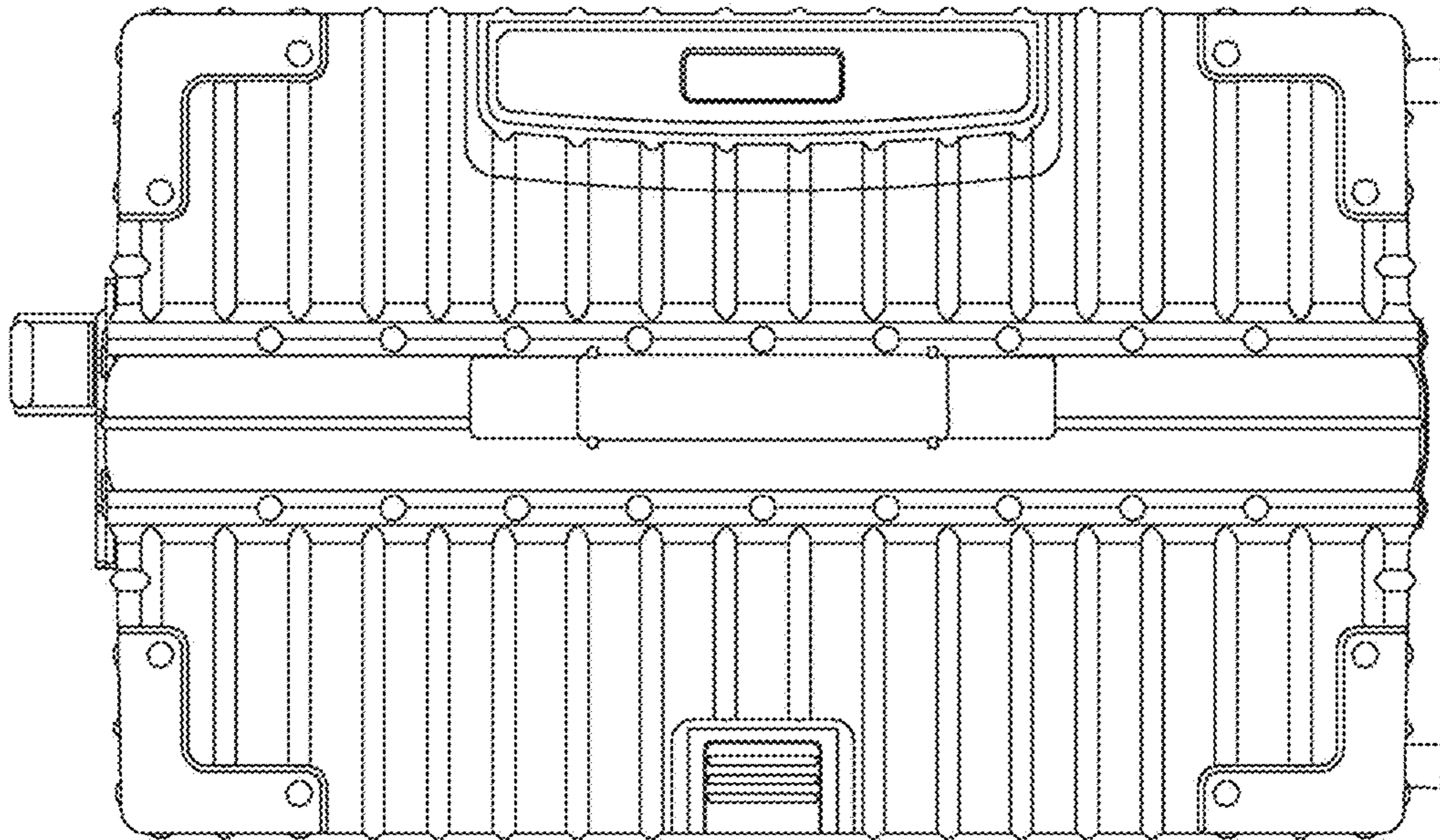


Fig. 5

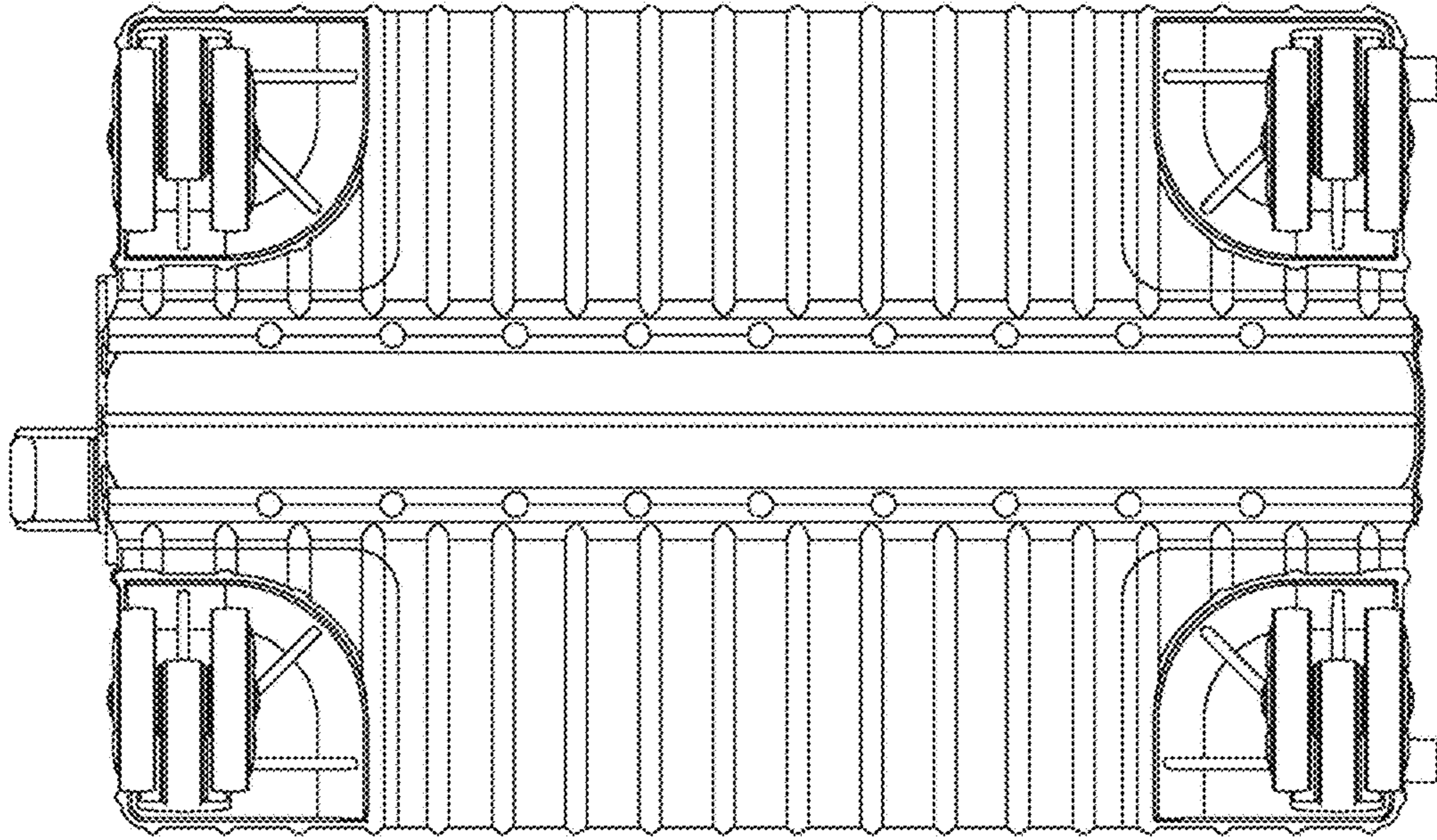


Fig. 6

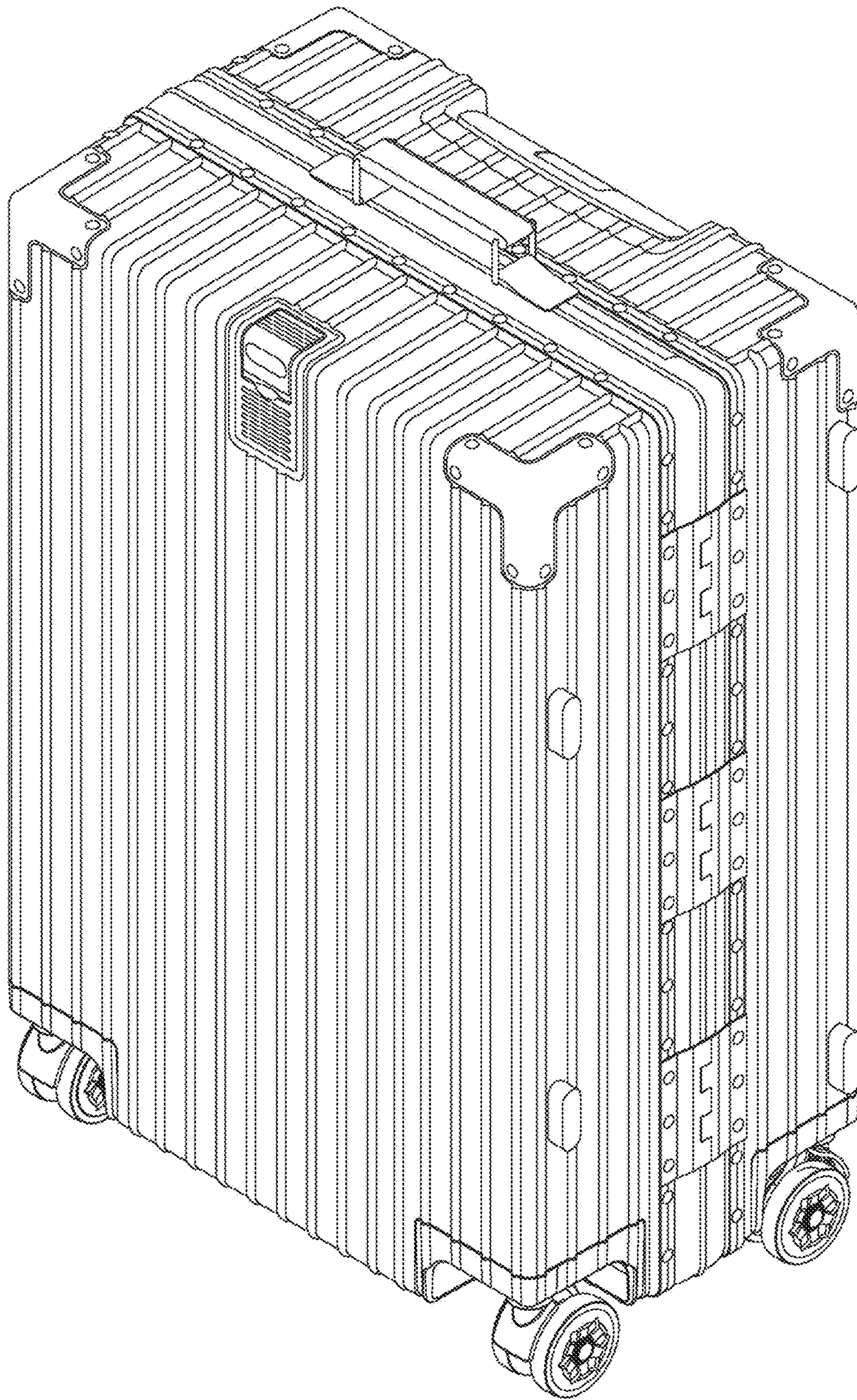


Fig. 7

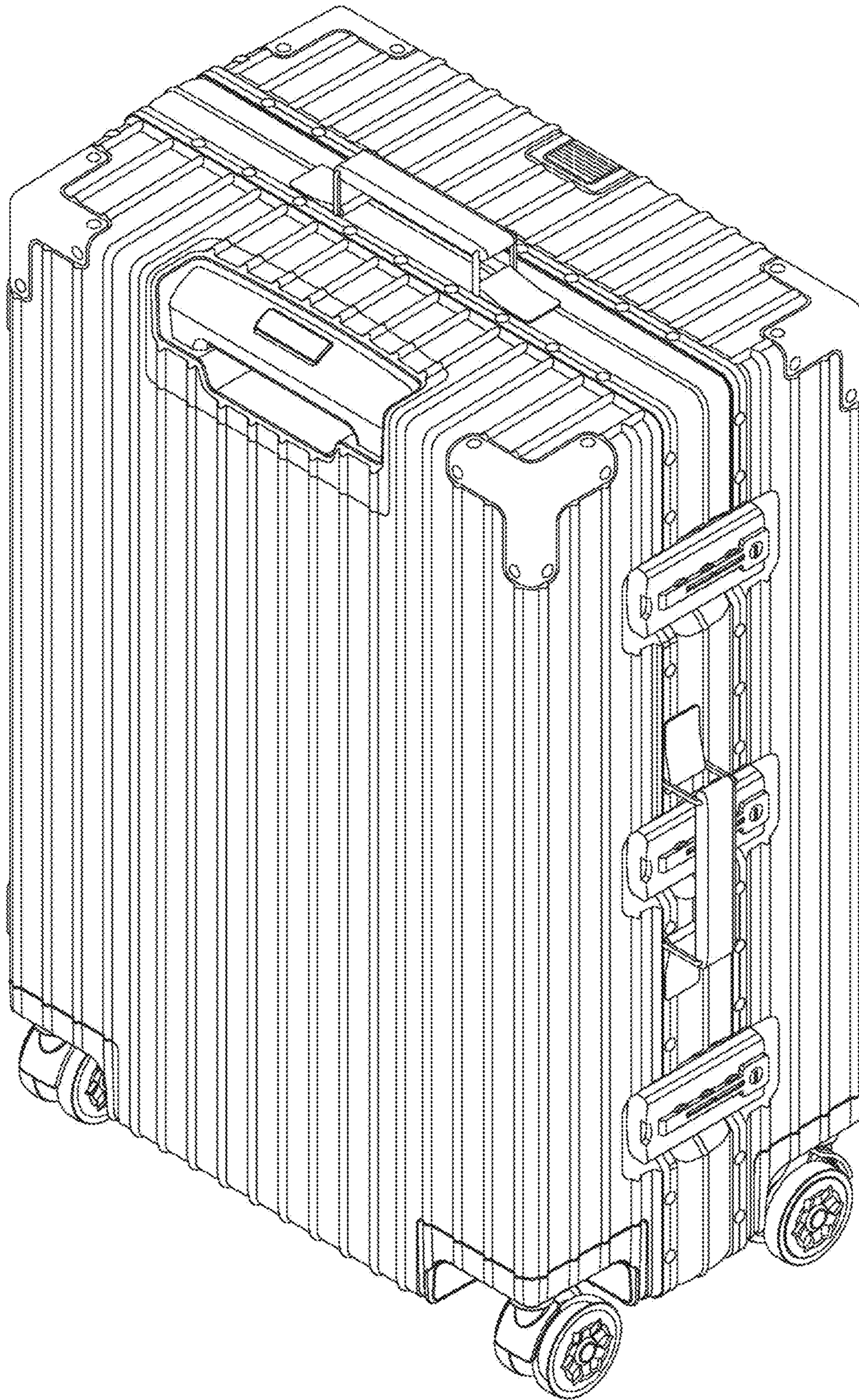


Fig. 8