



US00D791476S

(12) **United States Design Patent**  
**Yamamoto**

(10) **Patent No.:** **US D791,476 S**

(45) **Date of Patent:** **\*\* Jul. 11, 2017**

(54) **TOOL CASE**

(71) Applicant: **UM:KOGYO INC.**, Hyogo (JP)

(72) Inventor: **Ryuji Yamamoto**, Ono (JP)

(\*\*) Term: **15 Years**

(21) Appl. No.: **35/500,895**

(22) Filed: **Nov. 4, 2015**

(80) **Hague Agreement Data**

Int. Filing Date: **Nov. 4, 2015**

Int. Reg. No.: **DM/088825**

Int. Reg. Date: **Nov. 4, 2015**

Int. Reg. Pub. Date: **May 6, 2016**

(30) **Foreign Application Priority Data**

May 27, 2015 (JP) ..... 2015-11685

(51) **LOC (10) Cl.** ..... **03-01**

(52) **U.S. Cl.**  
USPC ..... **D3/273**

(58) **Field of Classification Search**

USPC ..... D3/269, 273, 294, 295; D9/420, 424;  
D27/189

CPC ..... A24F 47/008; A24F 15/18; A24F 15/12;  
B65D 5/5445; B25H 3/003; B25H 3/006;  
B25H 3/02; B25H 3/04; B25H 3/023;  
A45C 11/00; A45C 11/04; A45C 13/005;  
A45C 11/34

See application file for complete search history.

(56) **References Cited**

**U.S. PATENT DOCUMENTS**

D258,626 S \* 3/1981 Dembicks ..... D3/204  
D267,754 S \* 2/1983 Carroll ..... D3/204

D410,765 S \* 6/1999 Gawryk ..... D27/183  
D418,940 S \* 1/2000 Luton ..... D27/189  
D560,911 S \* 2/2008 Hackbart ..... D3/201  
D580,655 S \* 11/2008 Kao ..... D3/295  
D617,557 S \* 6/2010 Molina ..... D3/282  
D676,315 S \* 2/2013 Widdison ..... D9/420  
D692,657 S \* 11/2013 Hyma ..... D3/220  
D723,912 S \* 3/2015 Shigeno ..... D9/420  
D725,823 S \* 3/2015 Scatterday ..... A24F 15/12  
D27/189  
D733,961 S \* 7/2015 Wu ..... D27/189  
D736,455 S \* 8/2015 Liu ..... D27/189  
D768,920 S \* 10/2016 Jones ..... D27/189  
D775,814 S \* 1/2017 Lopez ..... D19/85  
2006/0175215 A1 \* 8/2006 Hochstetler ..... B25H 3/006  
206/349

\* cited by examiner

*Primary Examiner* — George D Kirschbaum

*Assistant Examiner* — Jennifer Watkins

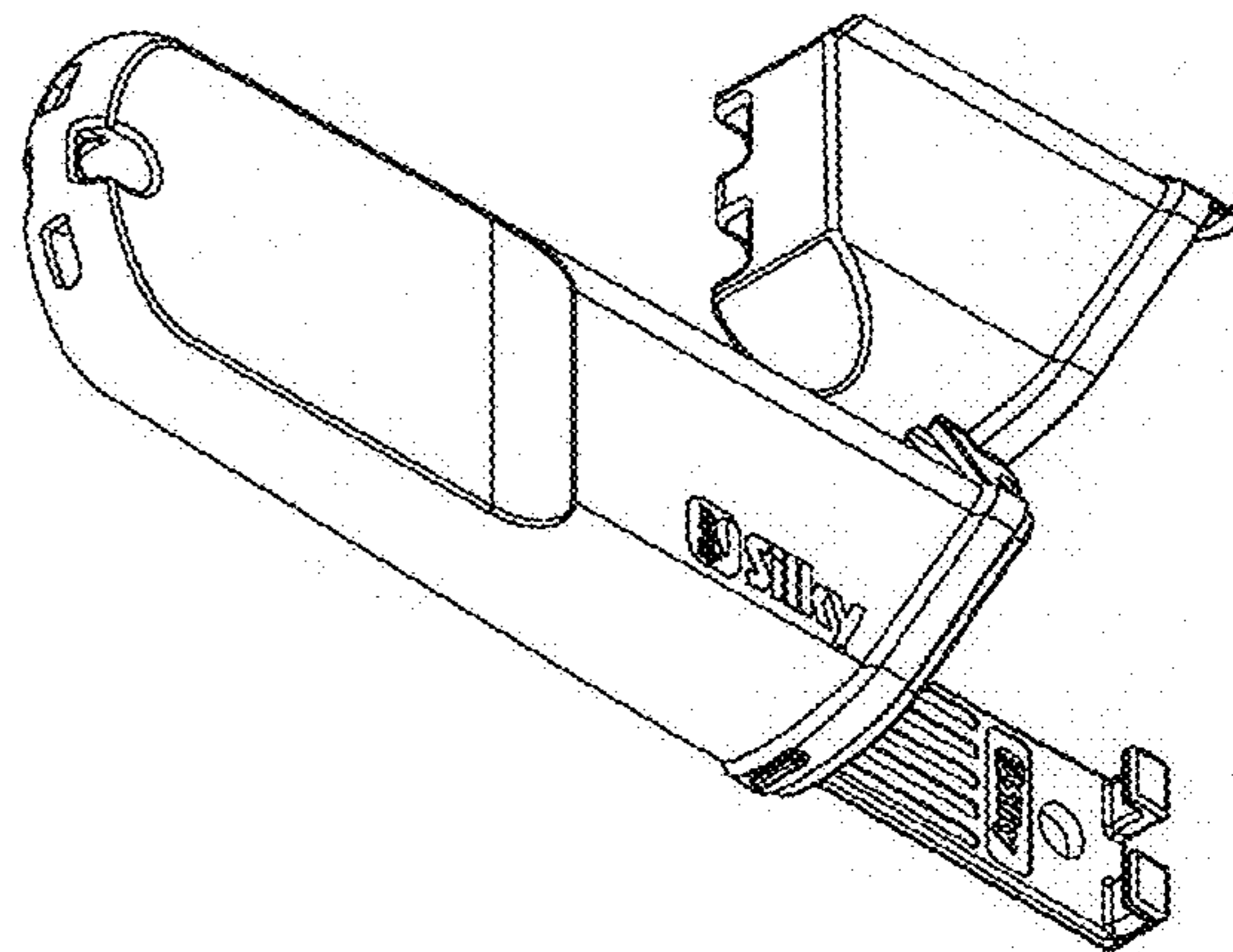
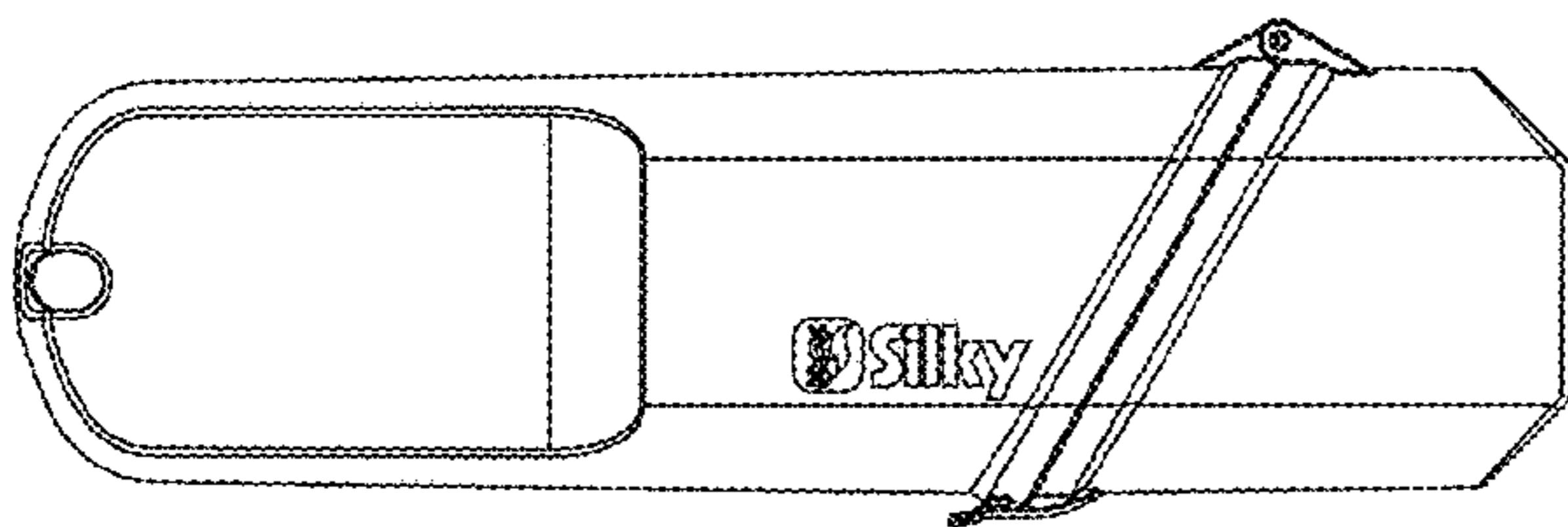
(57) **CLAIM**

The ornamental design for a tool case, as shown and described.

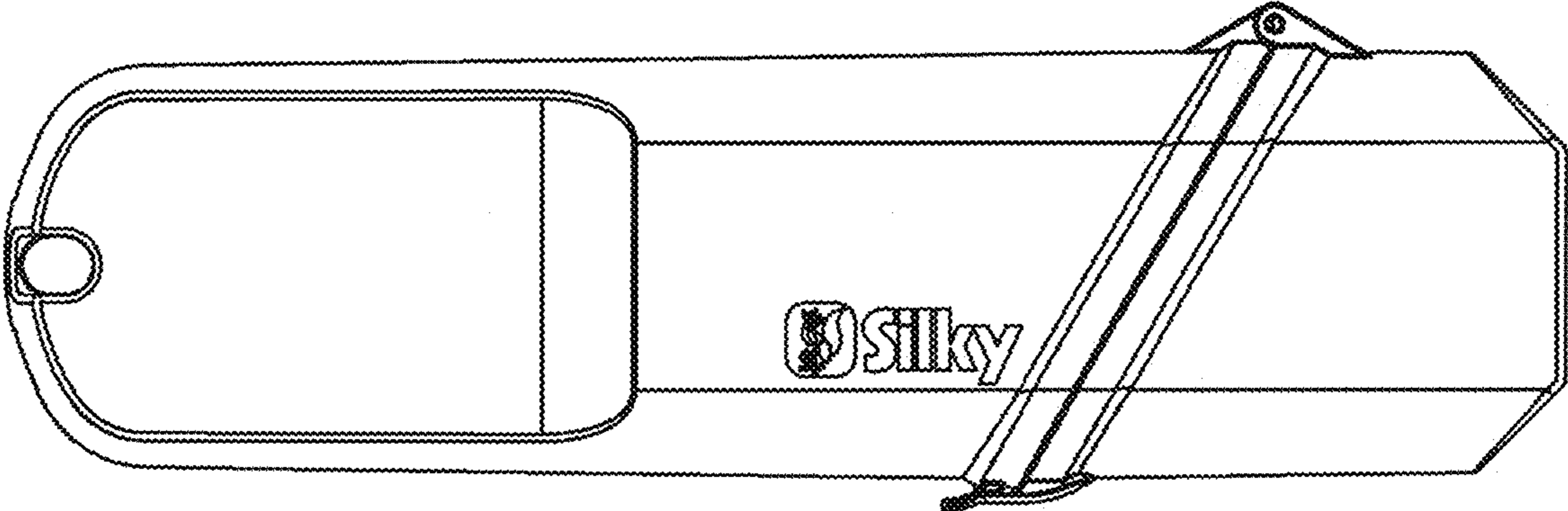
**DESCRIPTION**

1. Tool case  
1.1 : Front  
1.2 : Back  
1.3 : Left  
1.4 : Right  
1.5 : Top  
1.6 : Bottom  
1.7 : Perspective  
1.8 : Front view (the lid open condition)  
1.9 : Back view (the lid open condition)  
1.10 : Perspective view (the lid open condition)  
1.11 : Back view (the state in which the belt was detached)  
The symbol in the drawings is a registered mark of Silky™.

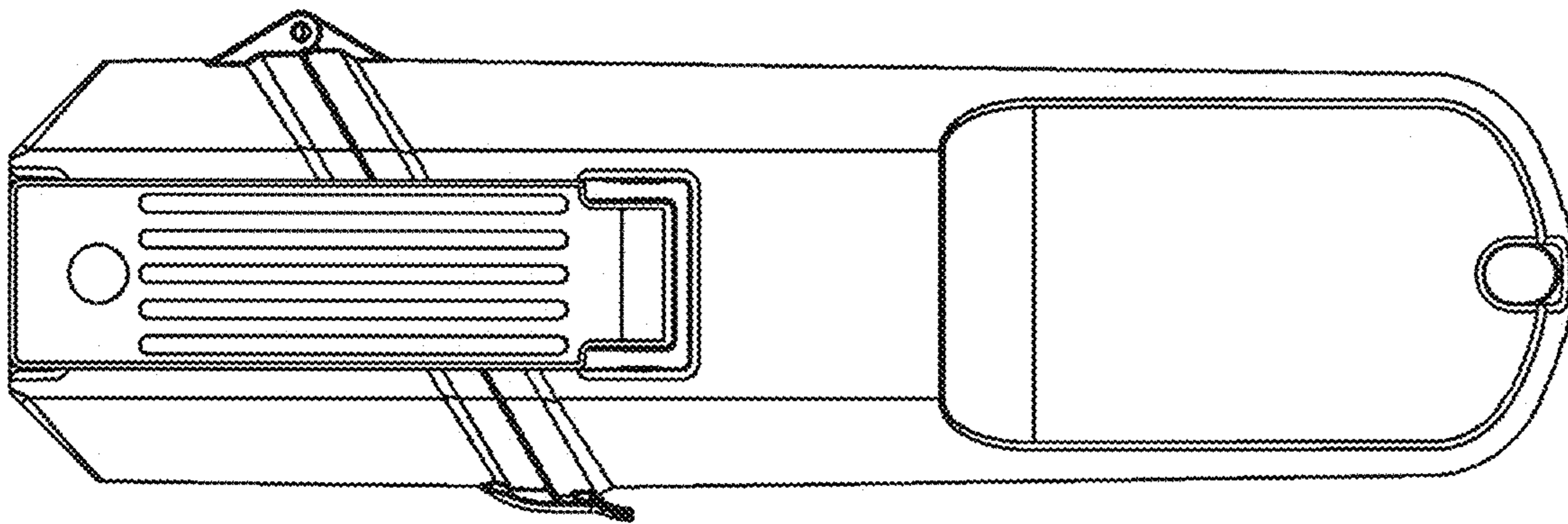
**1 Claim, 11 Drawing Sheets**



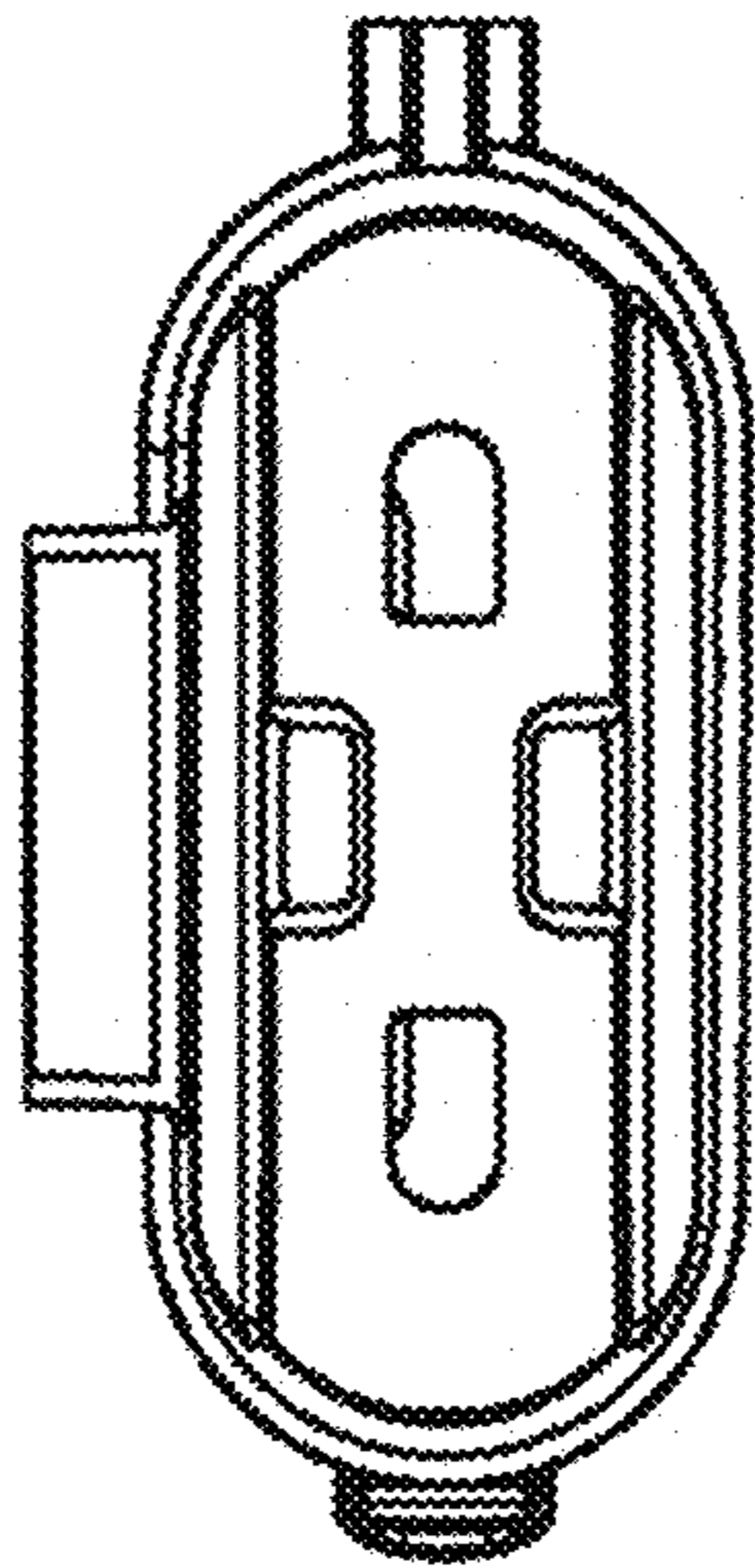
1.1



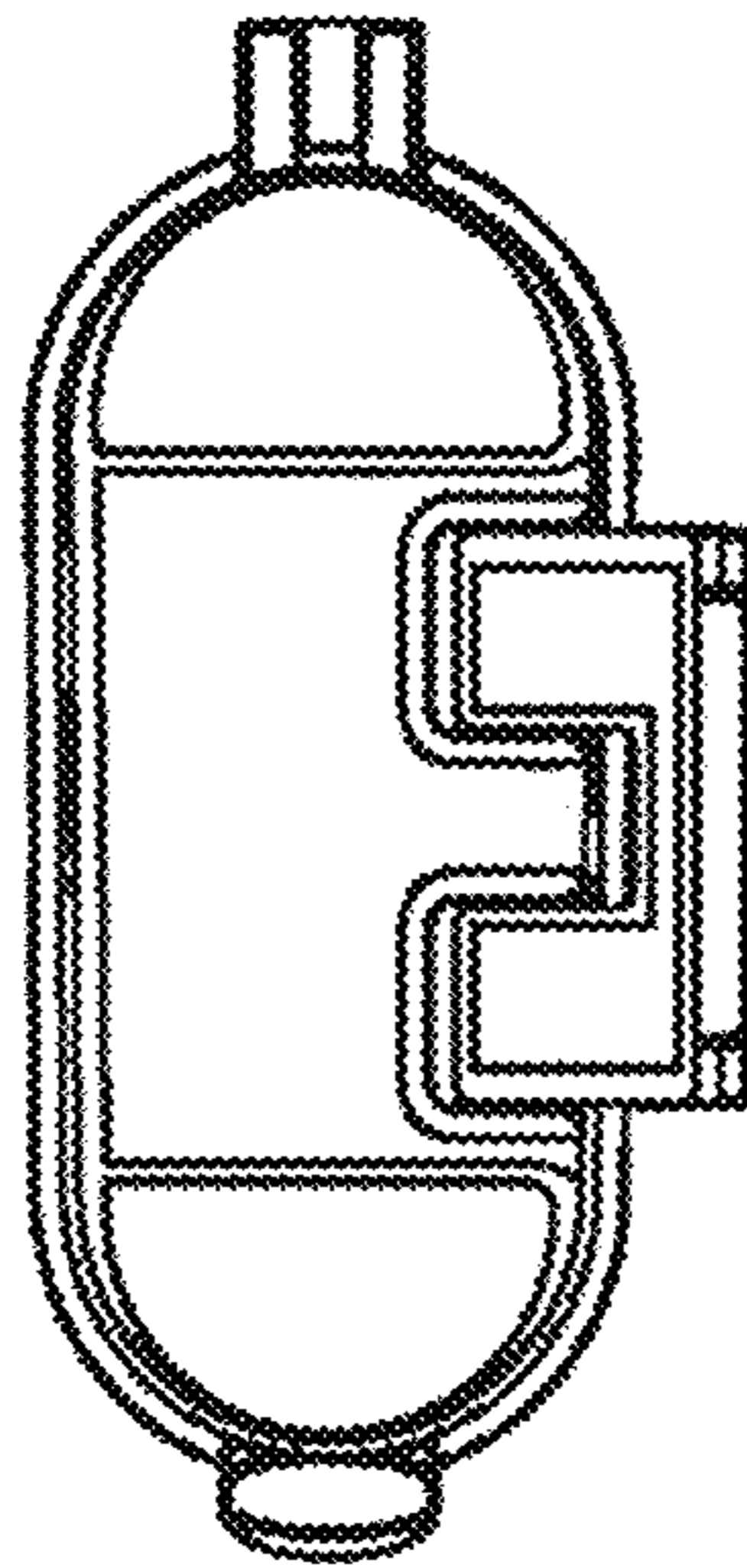
1.2



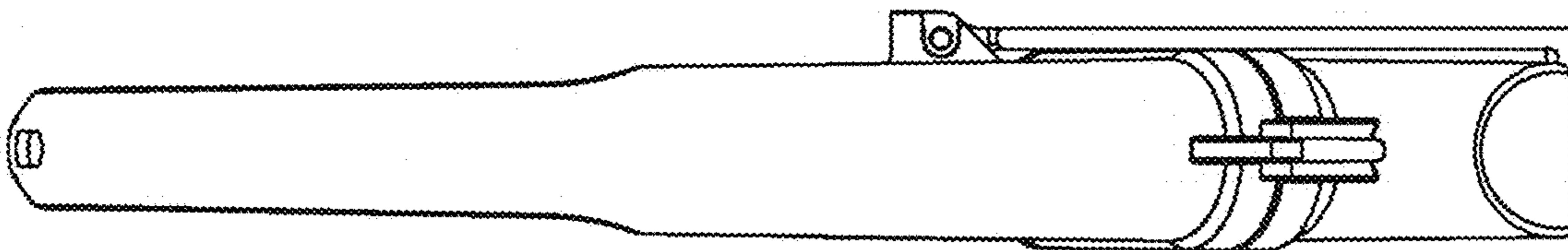
1.3



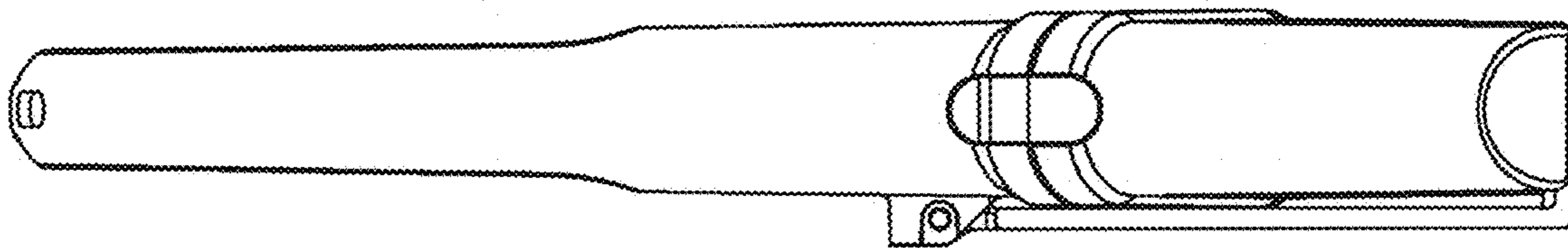
1.4



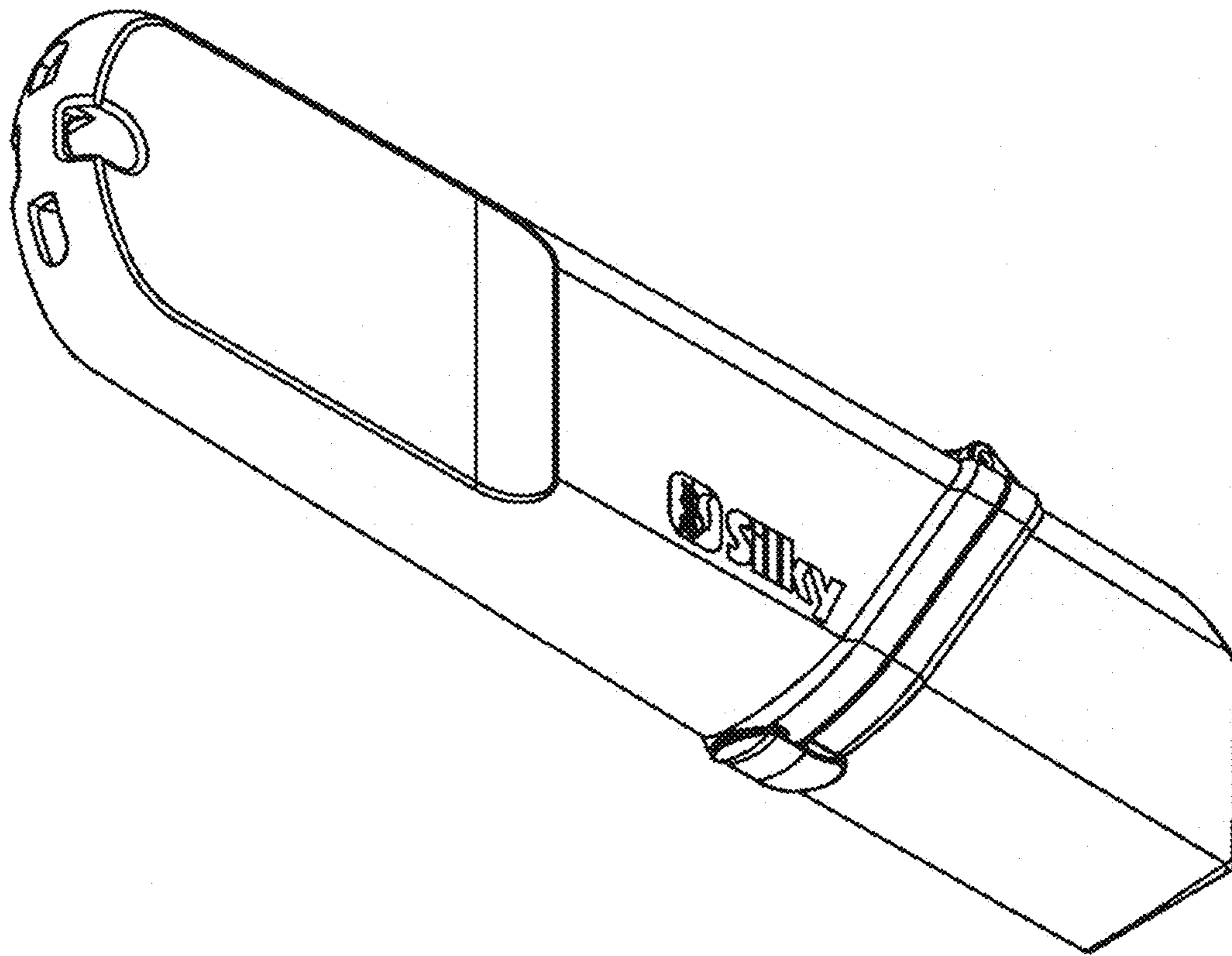
1.5



1.6

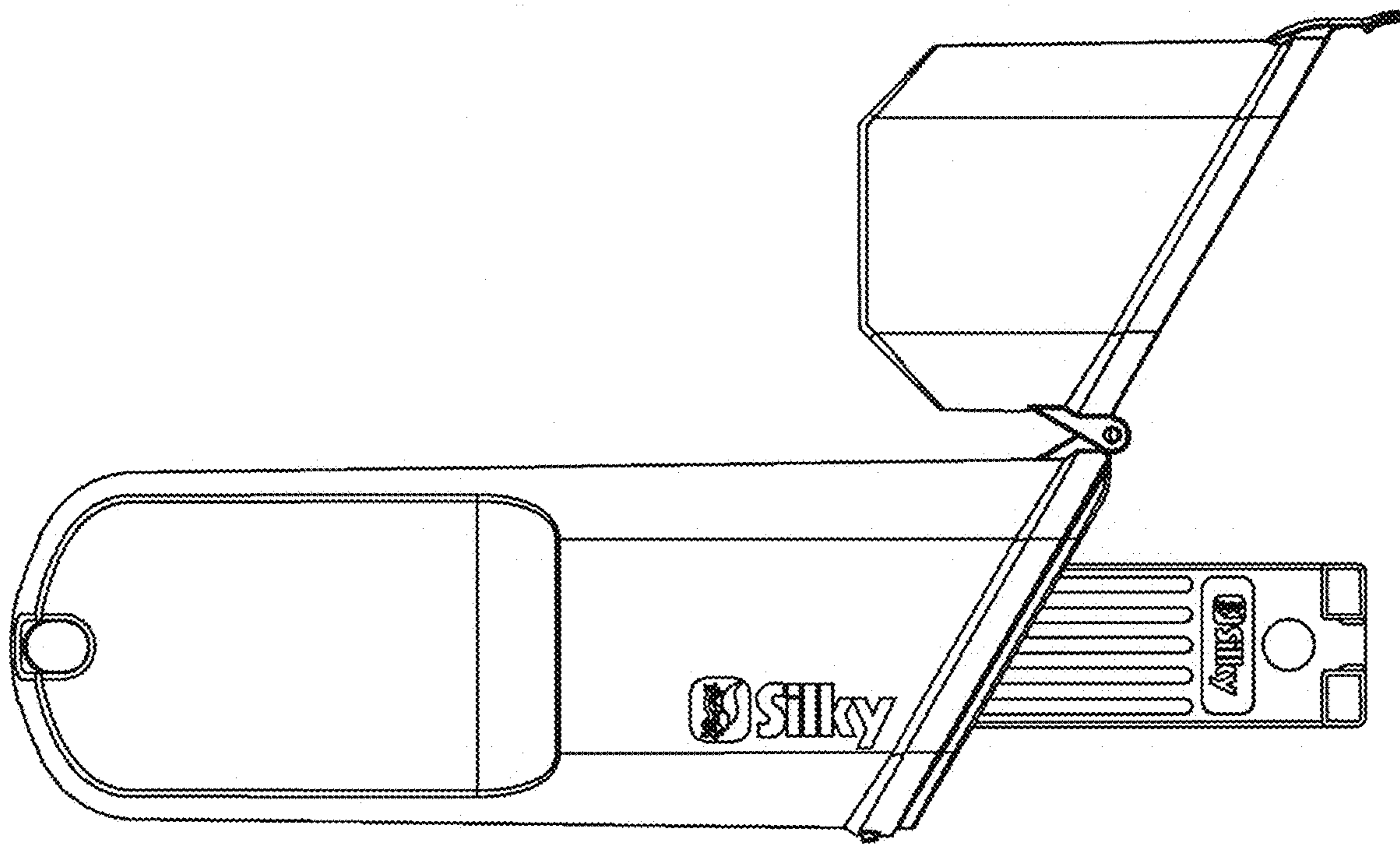


1.7

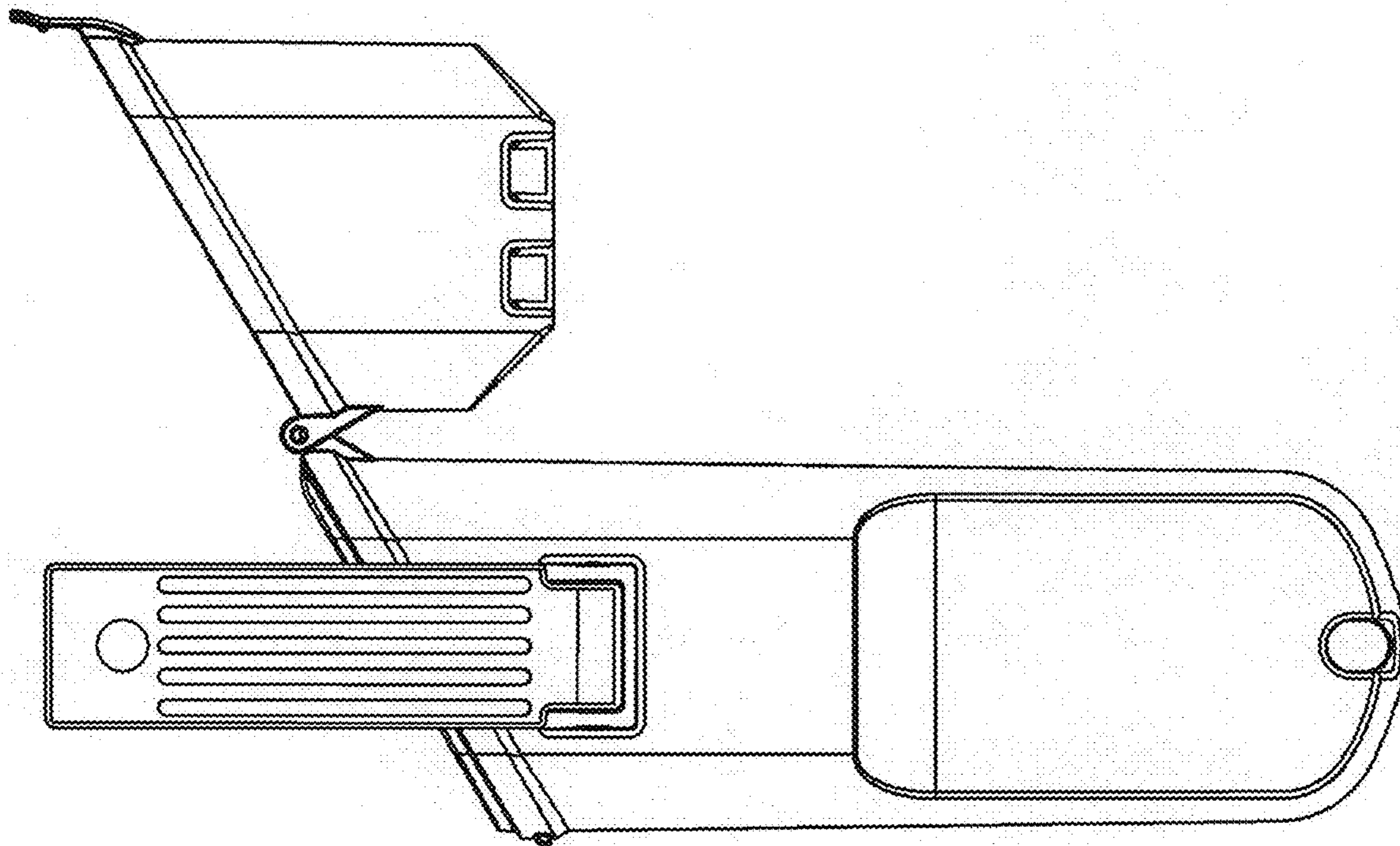




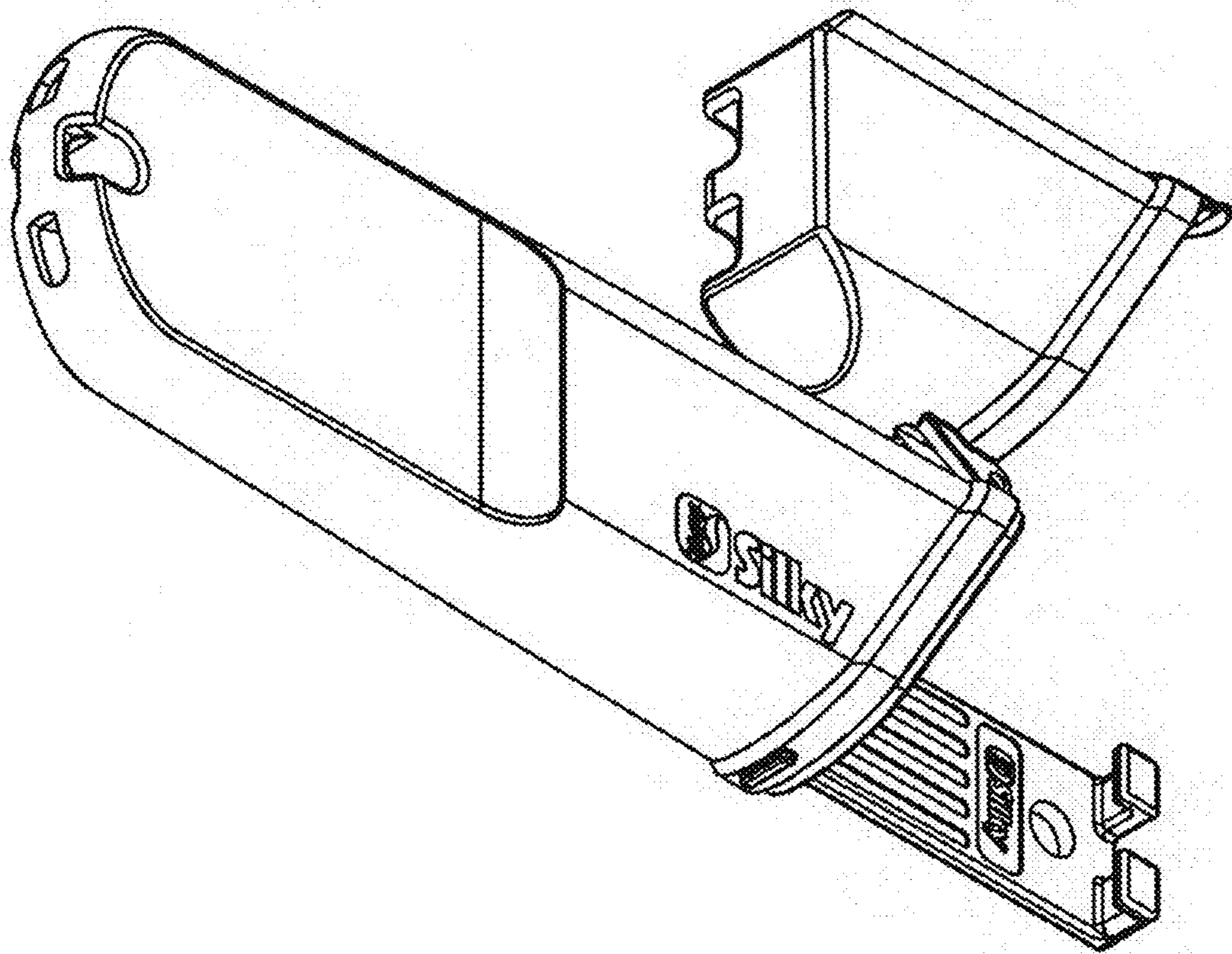
1.8



1.9



1.10



1.11

