



US00D791474S

(12) **United States Design Patent**
Willis

(10) **Patent No.:** **US D791,474 S**

(45) **Date of Patent:** **** Jul. 11, 2017**

(54) **WAIST ATTACHED ARTICLE CARRIER**

D759,959 S * 6/2016 Henry-Holmes D3/226

(71) Applicant: **Calvin L. Willis**, Douglasville, GA
(US)

* cited by examiner

(72) Inventor: **Calvin L. Willis**, Douglasville, GA
(US)

Primary Examiner — Catheri Oliver-Garcia

(74) *Attorney, Agent, or Firm* — Vincent G. LoTempio;
Kloss, Stenger & LoTempio; David T. Stephenson

(**) Term: **15 Years**

(57) **CLAIM**

(21) Appl. No.: **29/547,829**

The ornamental design for a waist attached article carrier, as shown and described.

(22) Filed: **Dec. 8, 2015**

(51) **LOC (10) Cl.** **03-01**

(52) **U.S. Cl.**
USPC **D3/226**

DESCRIPTION

(58) **Field of Classification Search**
USPC D3/226, 224, 221, 215, 228;
D2/624-631; 150/149; 2/217, 321;
224/235-23, 240-241, 245, 581, 583,
224/660, 674, 676-677, 901, 904
CPC ... A45C 1/04; A45C 11/22; A45F 5/00; A45F
5/02; A41F 9/002

FIG. 1 is a right perspective view of the waist attached article carrier showing my new design, with the front shown in a closed position;
FIG. 2 is a left perspective view thereof;
FIG. 3 is a top plan view thereof;
FIG. 4 is a bottom plan view thereof;
FIG. 5 is a front view thereof;
FIG. 6 is a rear view thereof;
FIG. 7 is a right side view thereof;
FIG. 8 is a left side view thereof;
FIG. 9 is a partial left side view, with the side pocket shown in an open position; and,
FIG. 10 is a front perspective view, with the front pocket shown in an open position.

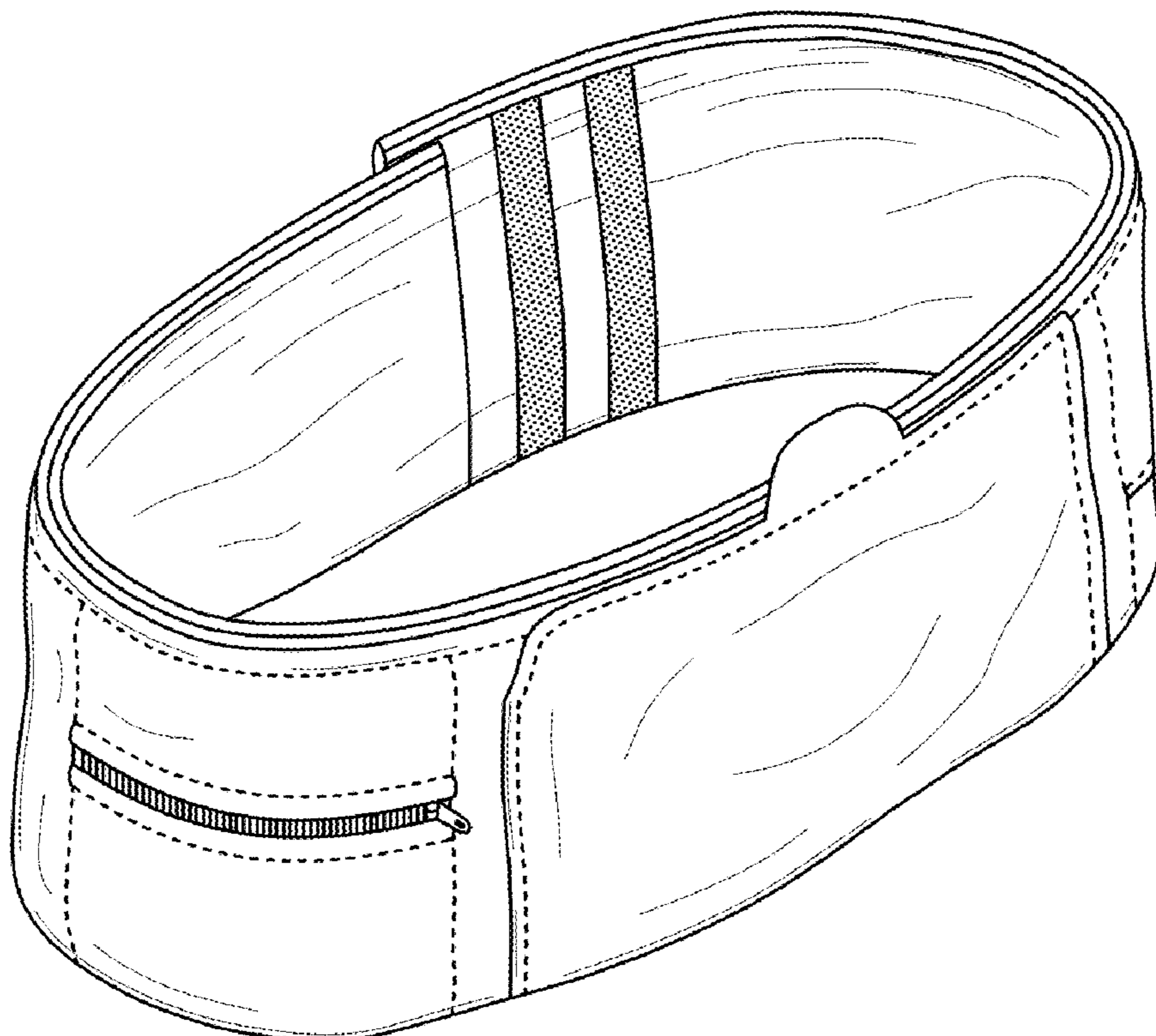
See application file for complete search history.

(56) **References Cited**

U.S. PATENT DOCUMENTS

- 1,920,061 A * 7/1933 Carr A41F 9/002
2/247
- D740,549 S * 10/2015 Nejjar D3/226
- D746,051 S * 12/2015 Conway D3/226

1 Claim, 5 Drawing Sheets



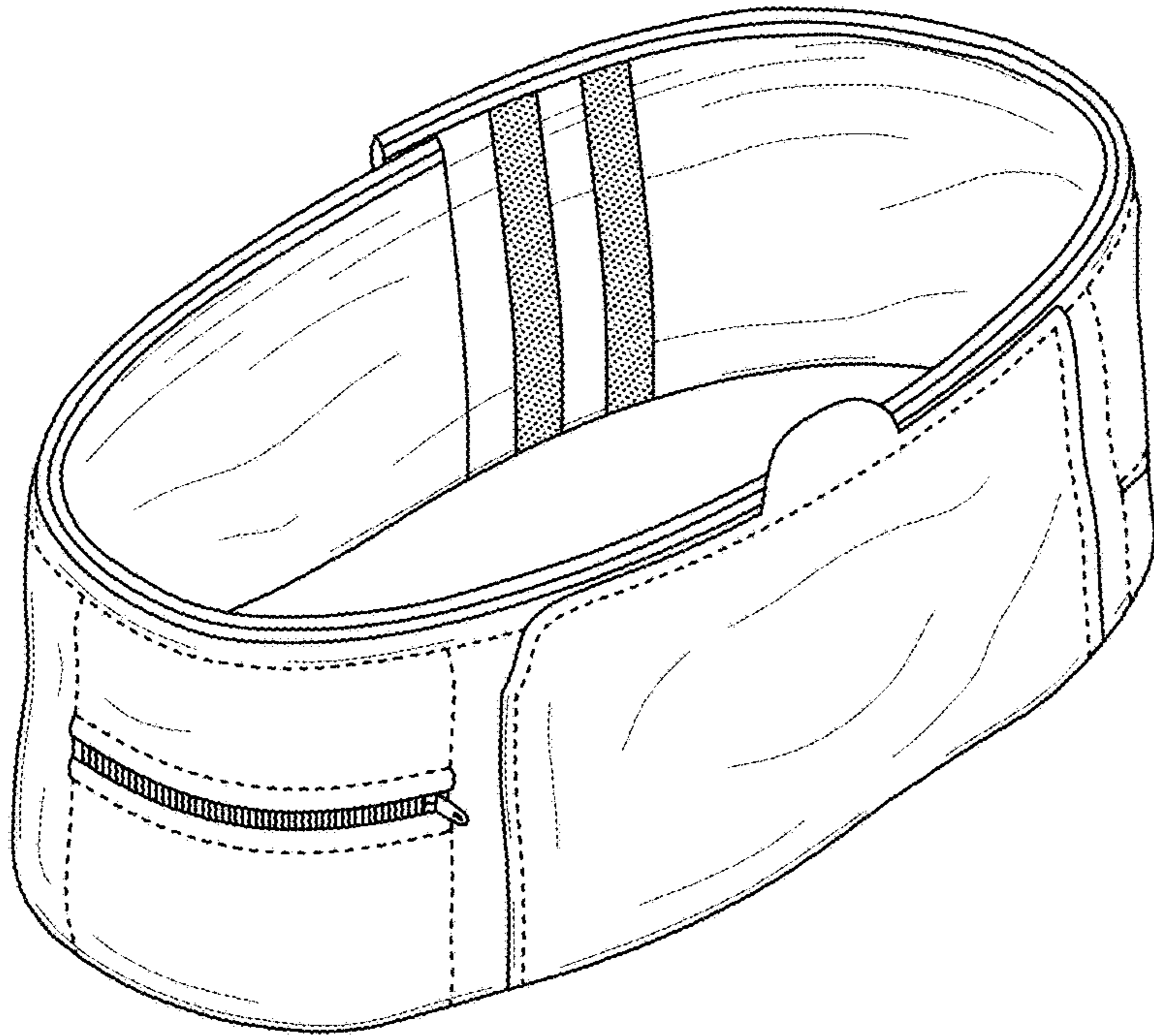


FIG. 1

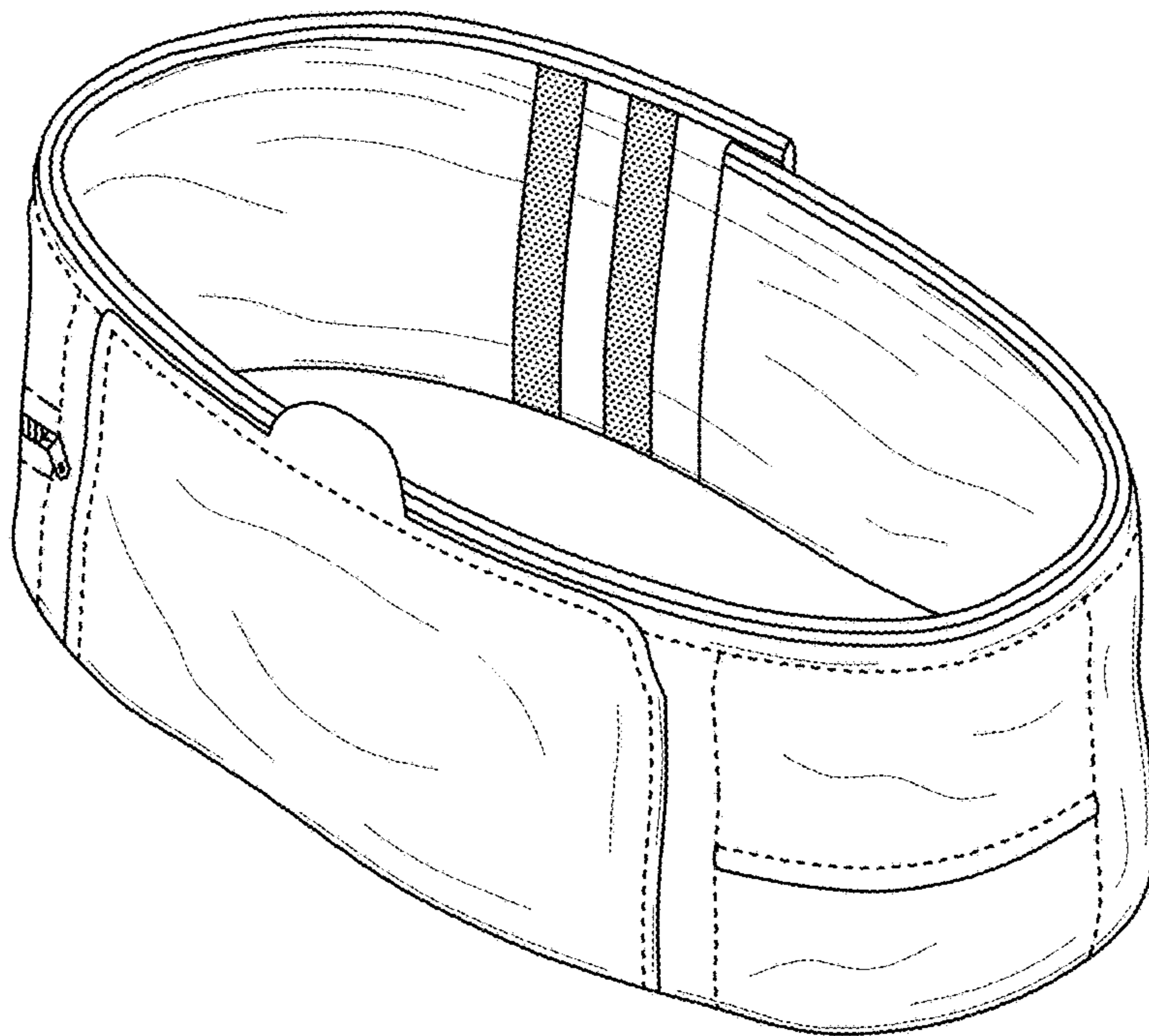


FIG. 2

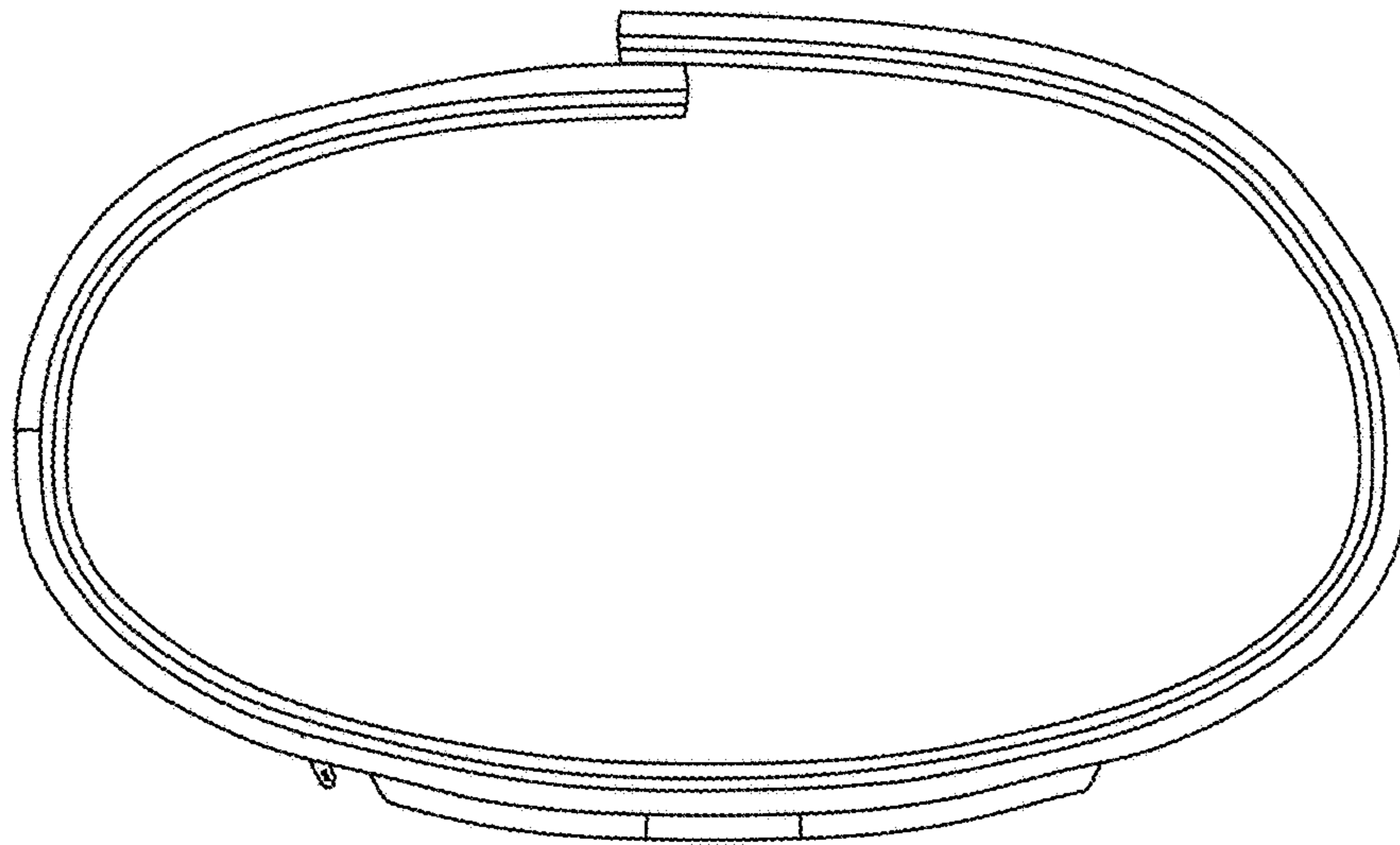


FIG. 3

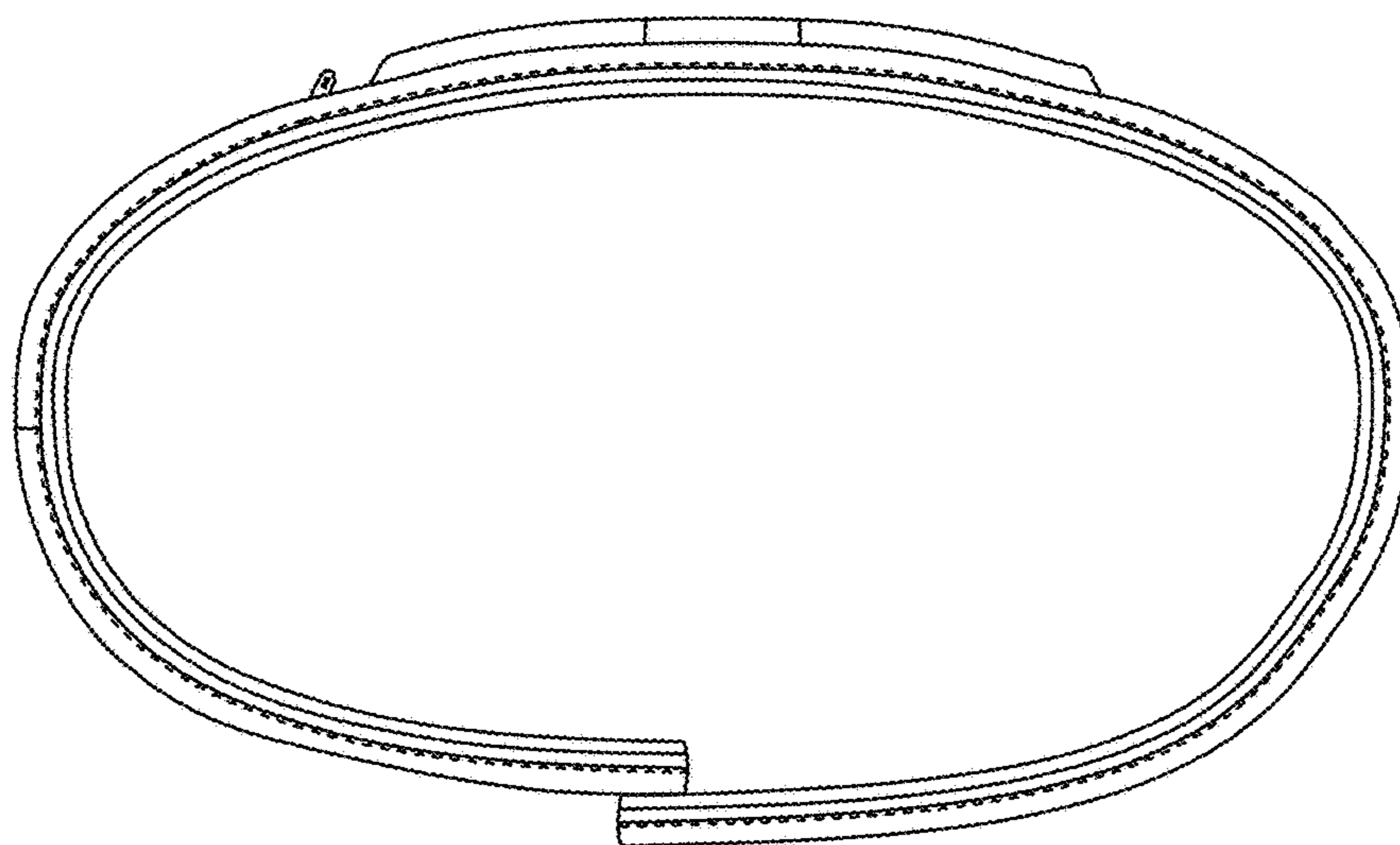


FIG. 4

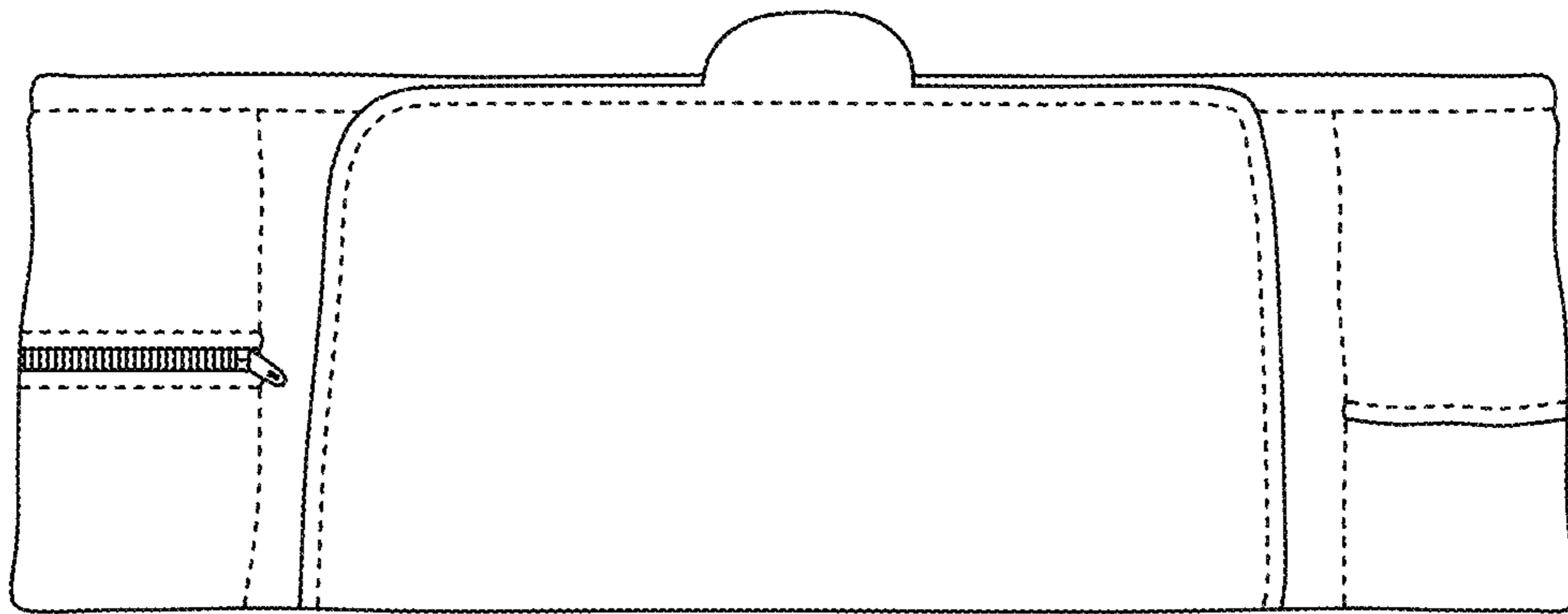


FIG. 5

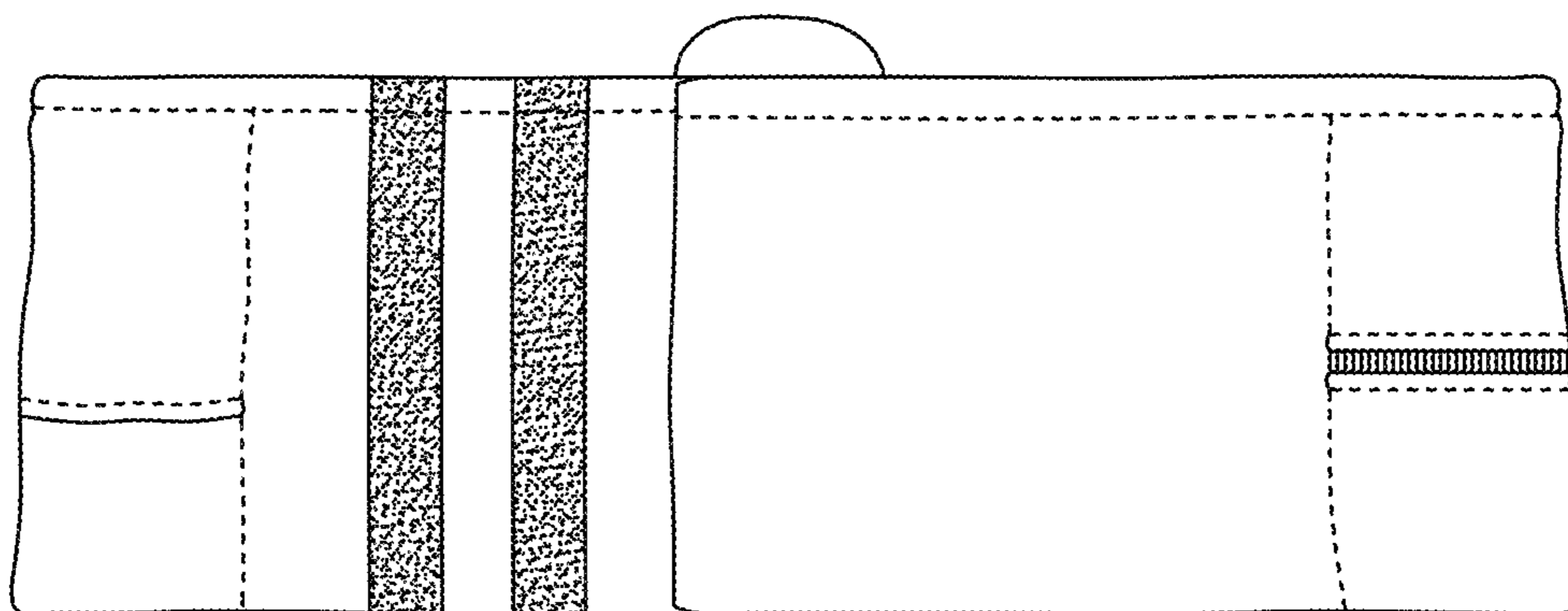


FIG. 6

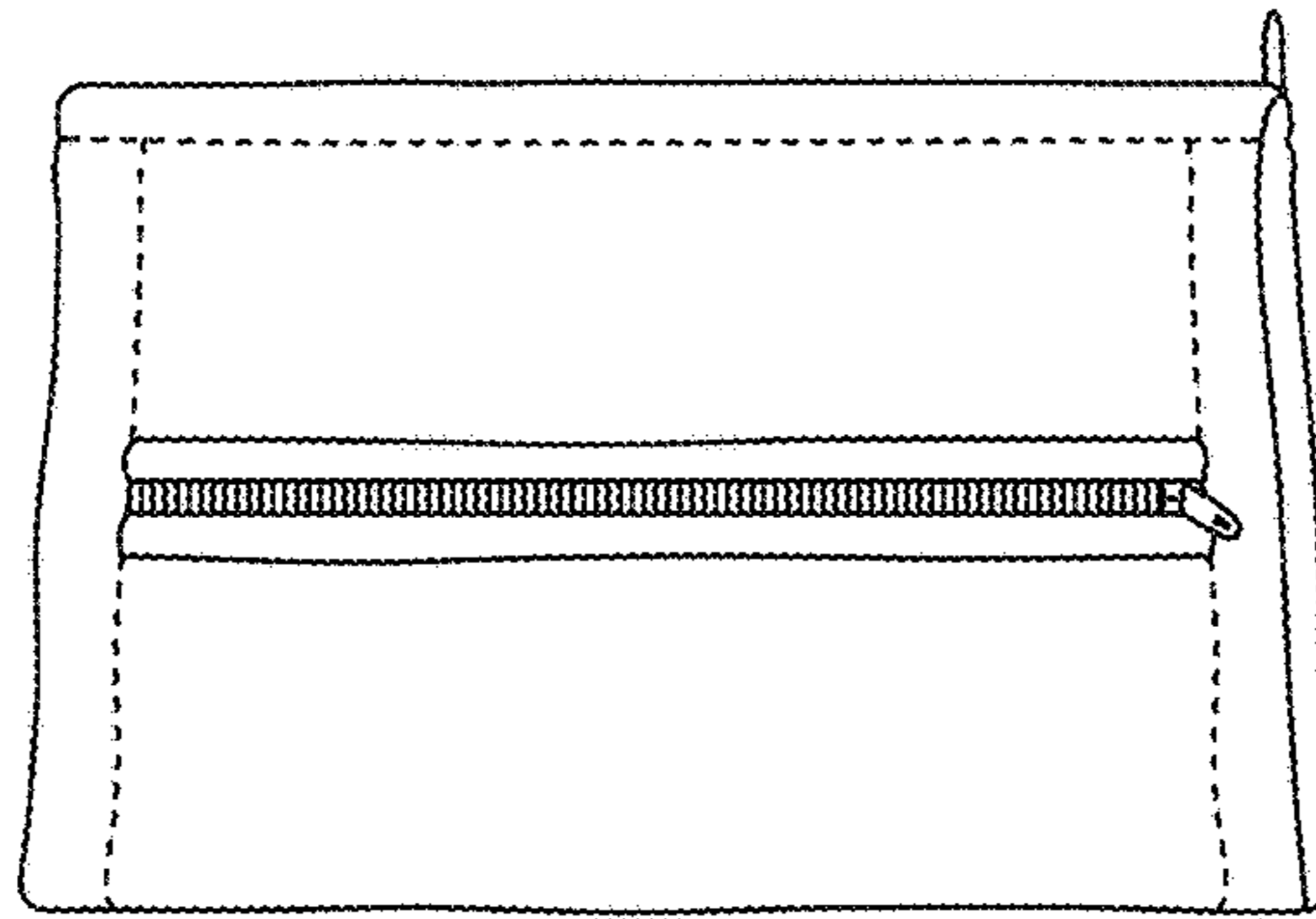


FIG. 7

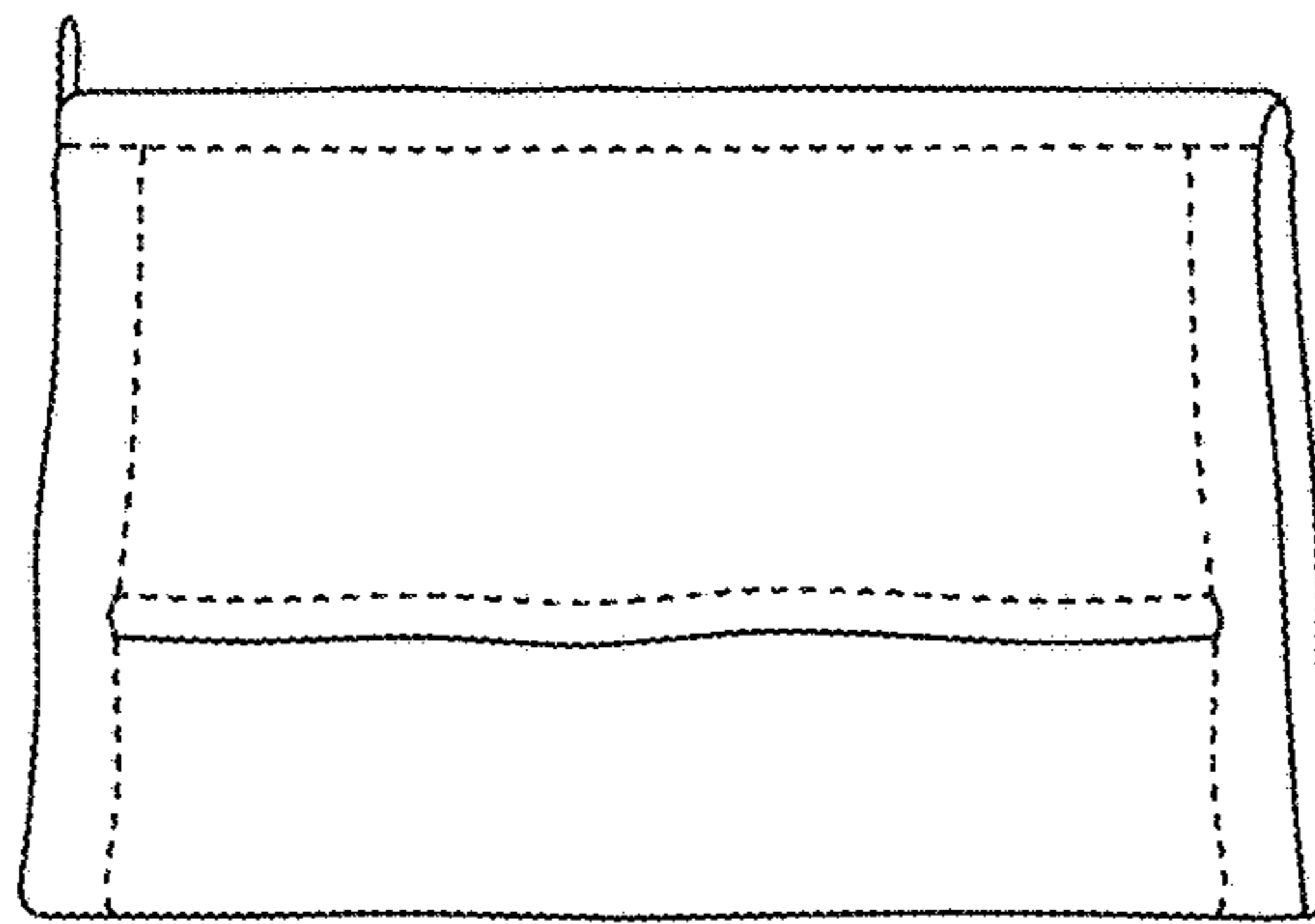


FIG. 8

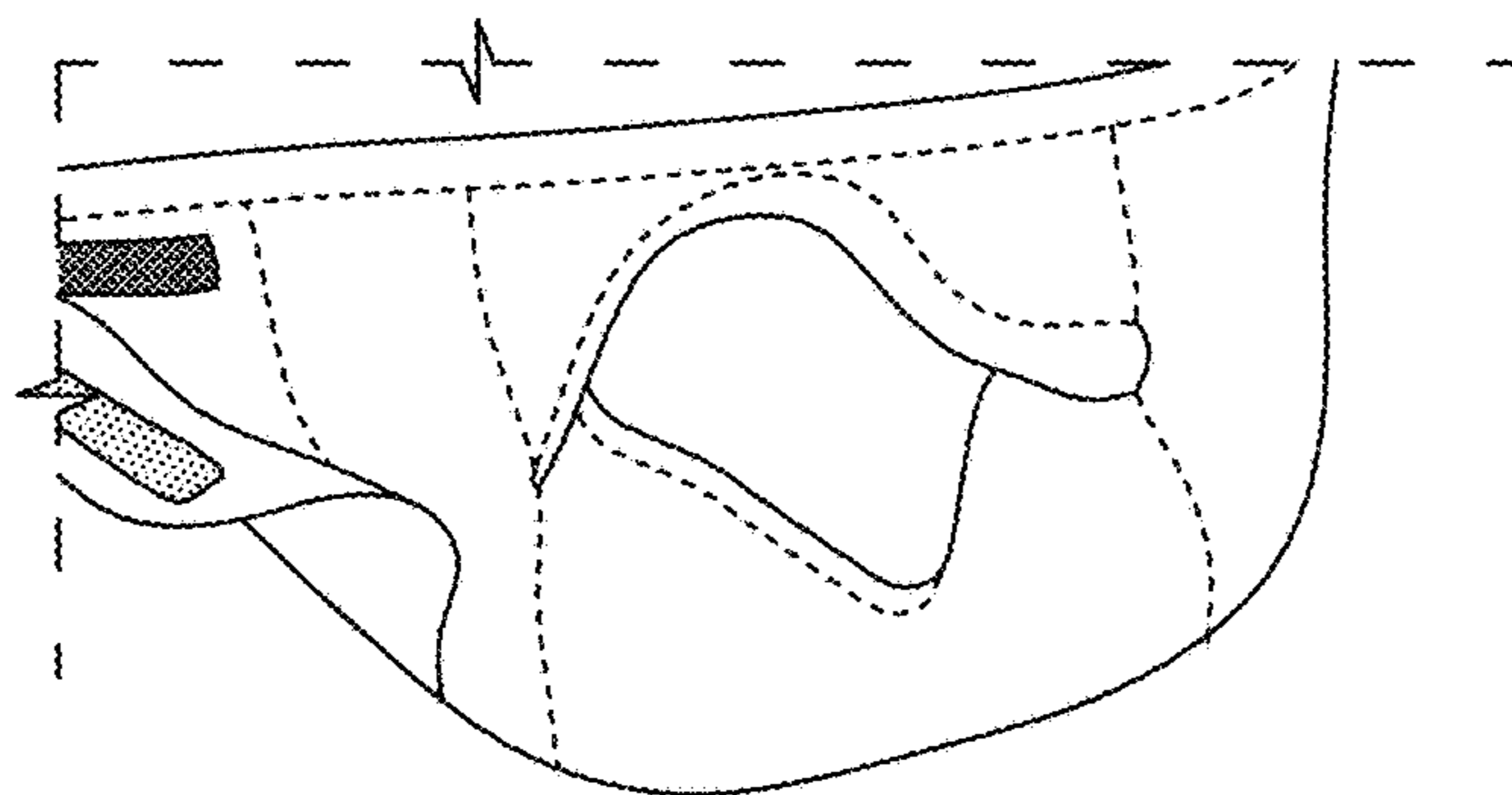


FIG. 9

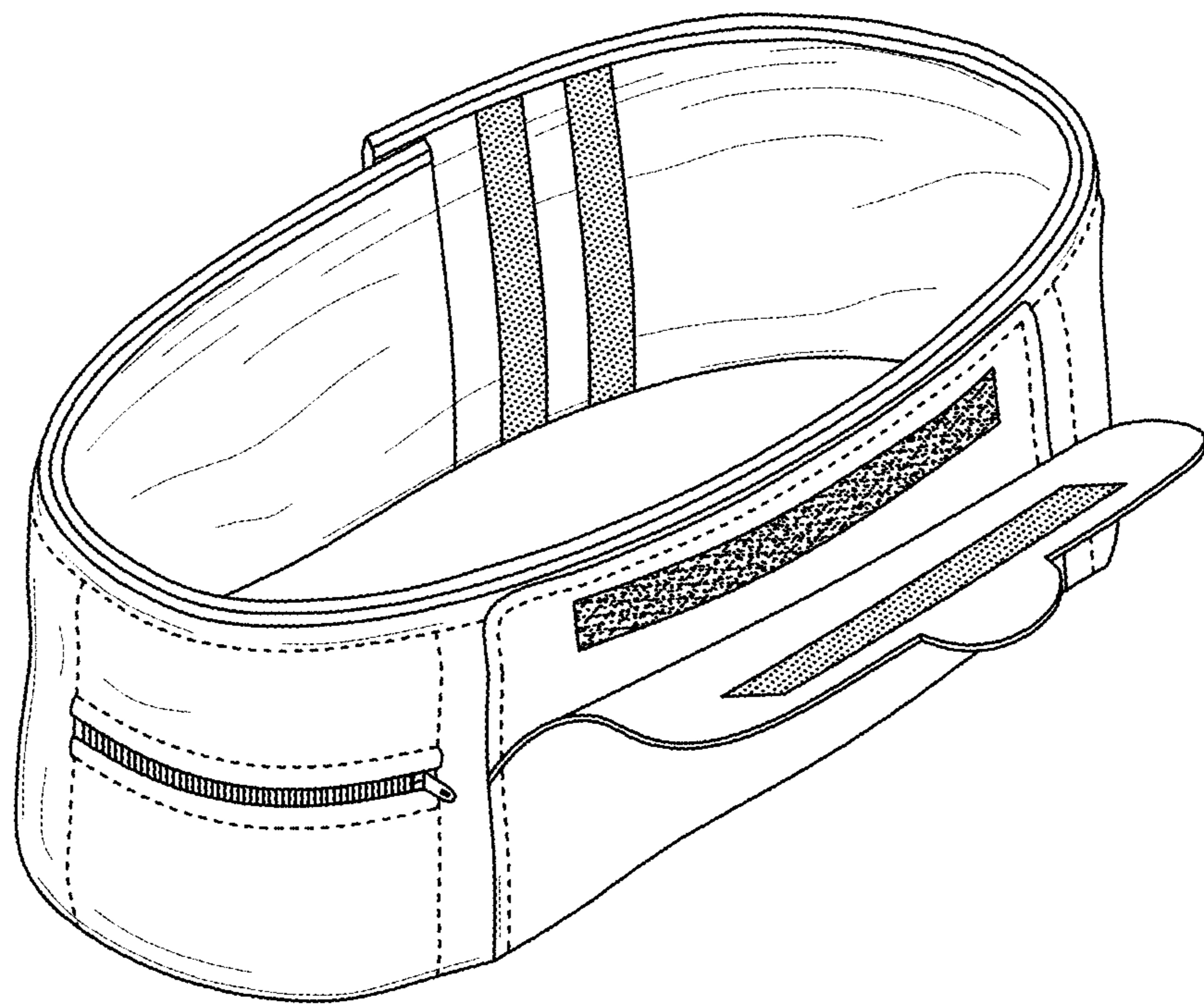


FIG. 10