

US00D791473S

(12) **United States Design Patent**
Herrera

(10) **Patent No.:** **US D791,473 S**
(45) **Date of Patent:** **** Jul. 11, 2017**

(54) **BACKPACK**

(71) Applicant: **Jesus Yvan Herrera**, San Antonio, TX
(US)

(72) Inventor: **Jesus Yvan Herrera**, San Antonio, TX
(US)

(**) Term: **15 Years**

(21) Appl. No.: **29/547,428**

(22) Filed: **Dec. 3, 2015**

(51) **LOC (10) Cl.** **03-01**

(52) **U.S. Cl.**
USPC **D3/217**

(58) **Field of Classification Search**
USPC D3/201, 213–219, 221, 224, 225, 229,
D3/230, 232, 243–246, 254, 318
CPC .. A45C 3/08; A45C 3/06; A45C 13/08; A45C
13/02; A45C 7/0086; A45C 3/00; A45C
13/26; A45F 3/04; A45F 3/02
See application file for complete search history.

(56) **References Cited**

U.S. PATENT DOCUMENTS

5,544,792 A * 8/1996 Arnwine A45C 7/0086
224/153
D400,350 S * 11/1998 Minden D3/216
D409,375 S * 5/1999 Santoro D3/217
6,336,577 B1 * 1/2002 Harris A45C 3/001
224/153
D483,940 S * 12/2003 Dolan D3/216

8,118,201 B1 * 2/2012 Calkin A45F 3/047
224/156
8,387,166 B2 * 3/2013 Eastep A41D 15/04
2/102
D702,434 S * 4/2014 Chalk D3/216
8,820,596 B1 * 9/2014 Bergquist A45F 4/02
224/153
D748,909 S * 2/2016 Wronski D3/217
D750,368 S * 3/2016 Wronski D3/217
D774,750 S * 12/2016 Stark D3/216

* cited by examiner

Primary Examiner — George D Kirschbaum

Assistant Examiner — Jennifer Watkins

(74) *Attorney, Agent, or Firm* — Christopher L. Makay;
Justin D. Cook

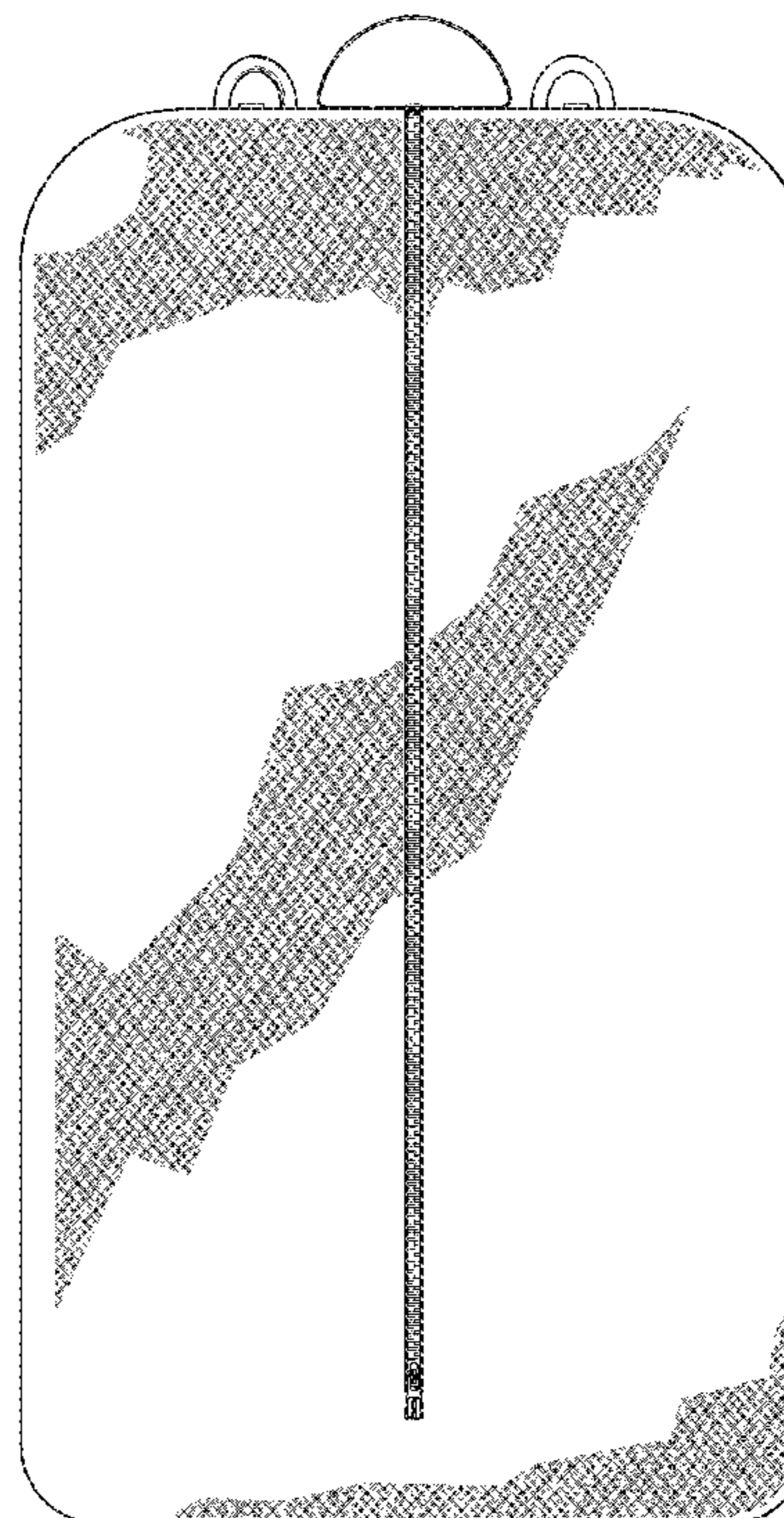
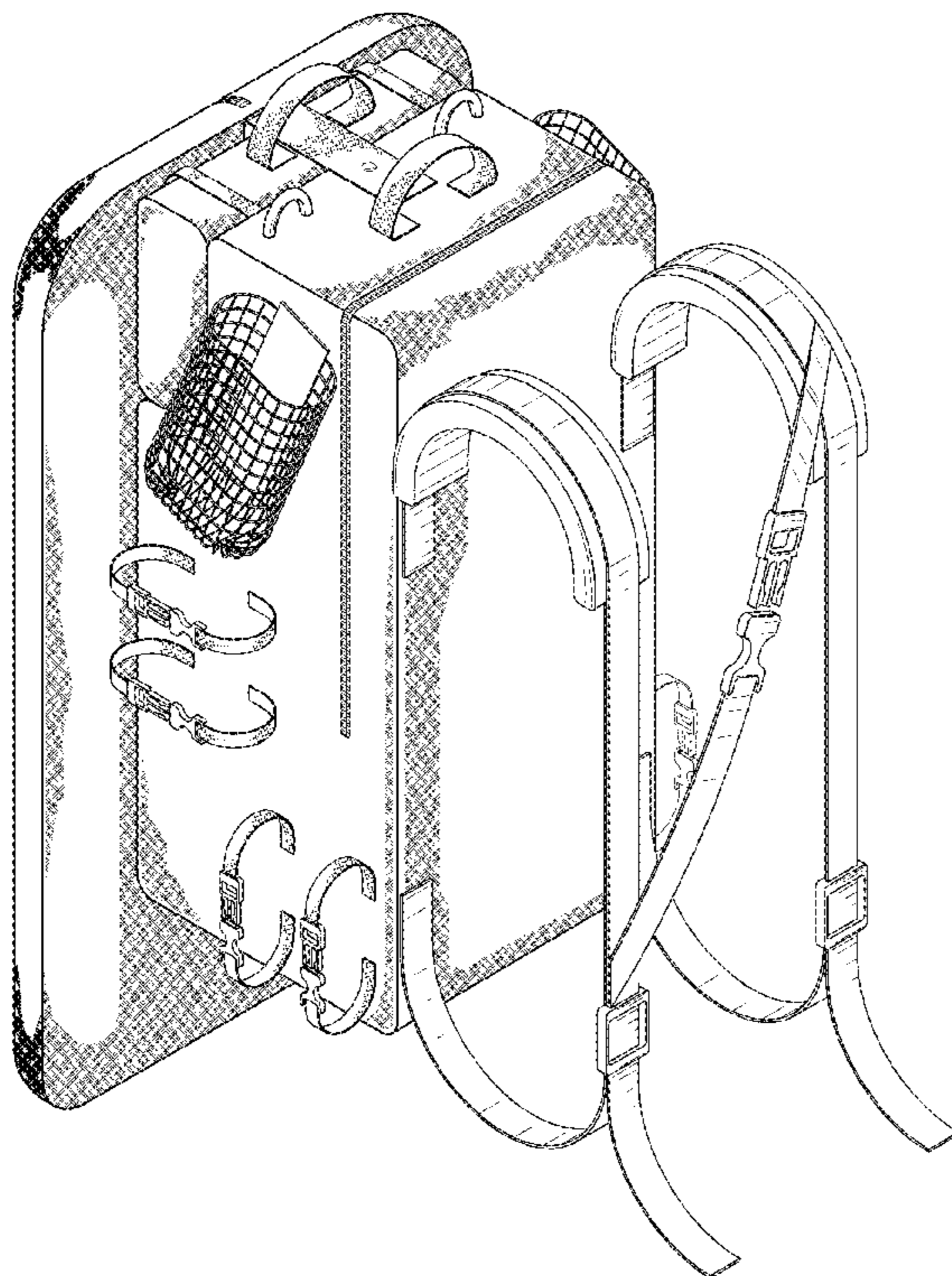
(57) **CLAIM**

The ornamental design for a backpack, as shown and described.

DESCRIPTION

FIG. 1 is a perspective view of the backpack;
FIG. 2 is a front view thereof;
FIG. 3 is a left side view thereof;
FIG. 4 is a bottom view thereof;
FIG. 5 is a rear view thereof;
FIG. 6 is a right side view thereof; and,
FIG. 7 is a top view thereof.

1 Claim, 7 Drawing Sheets



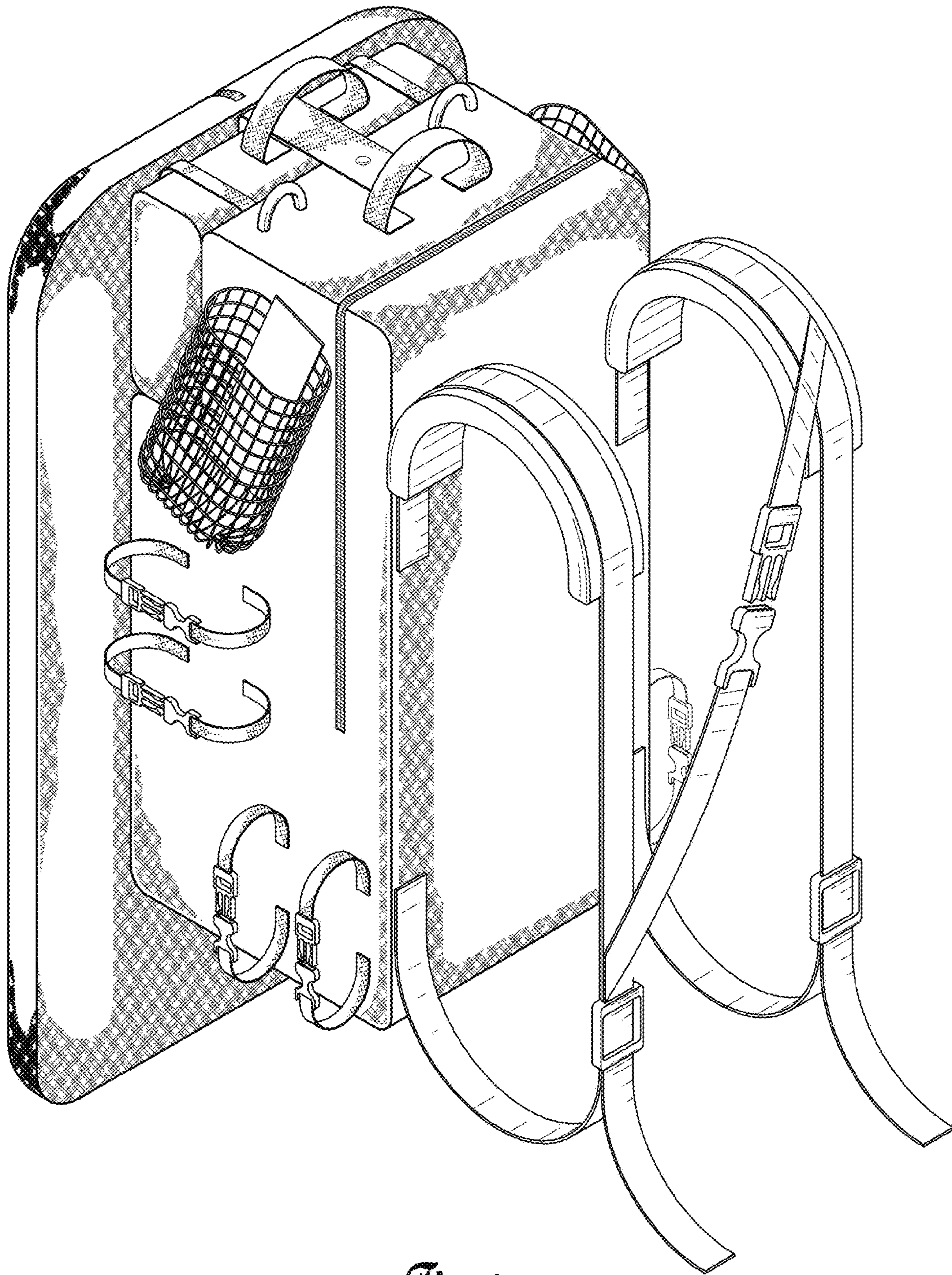


Fig. 1

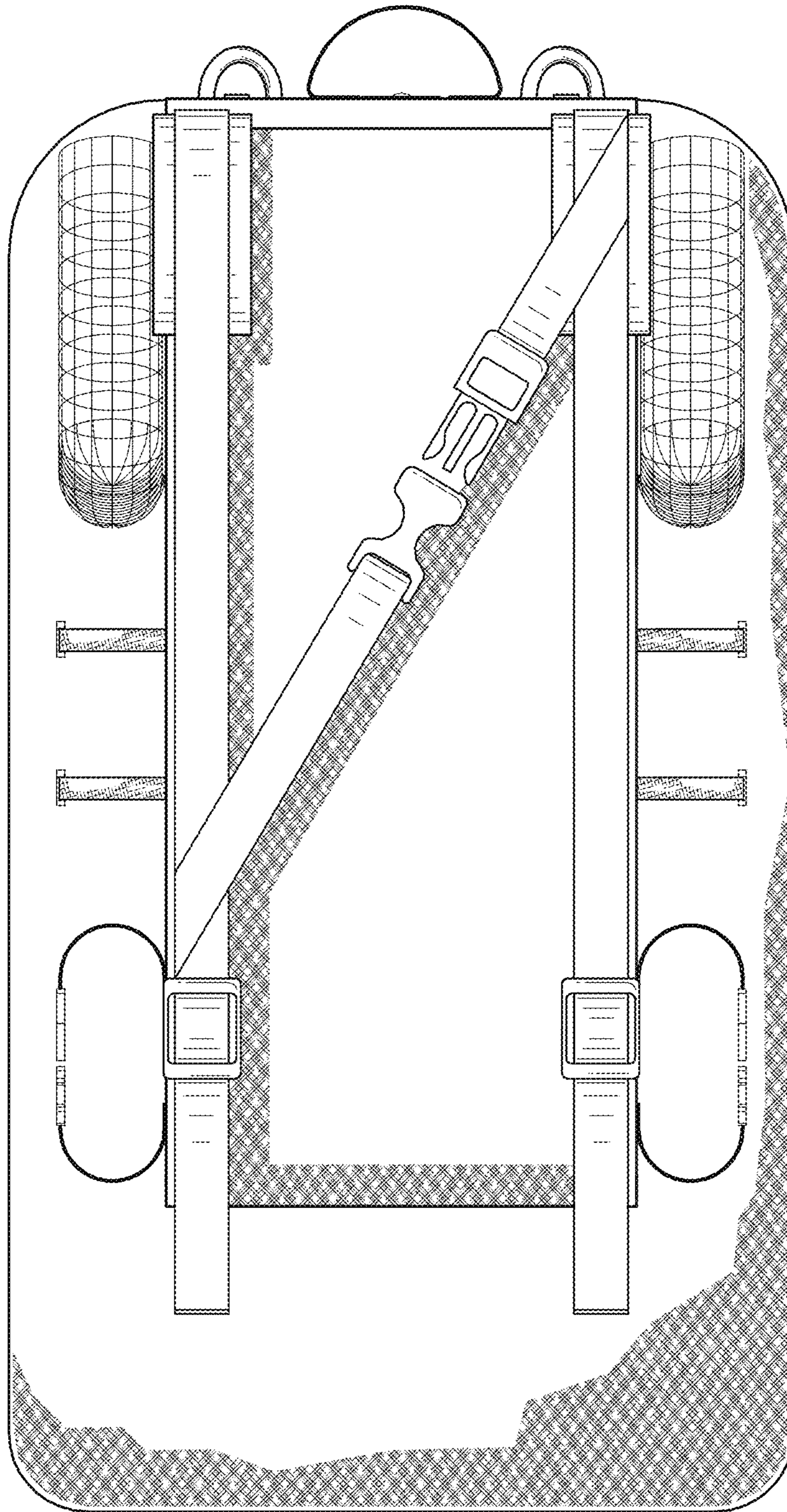


Fig. 2

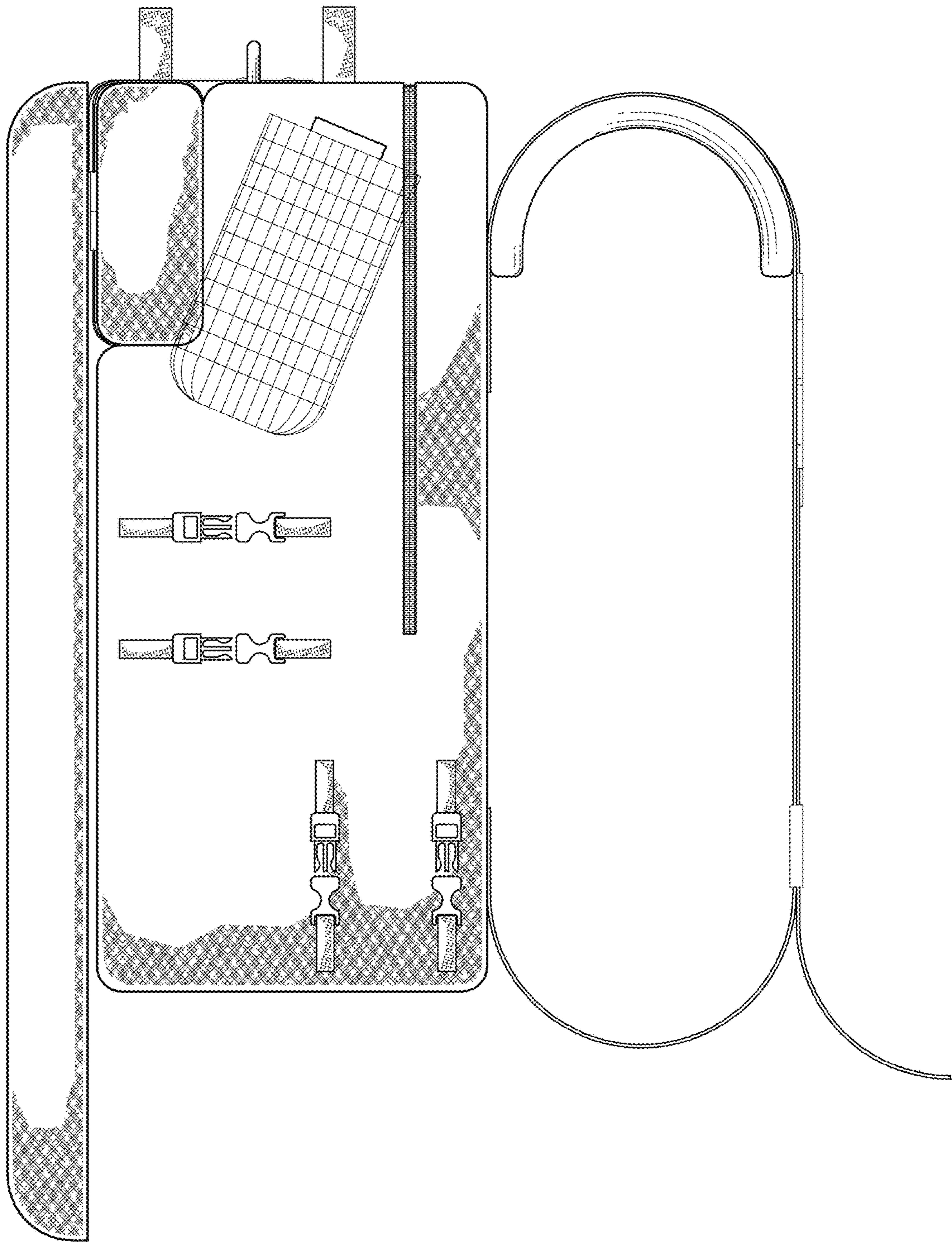


Fig. 3

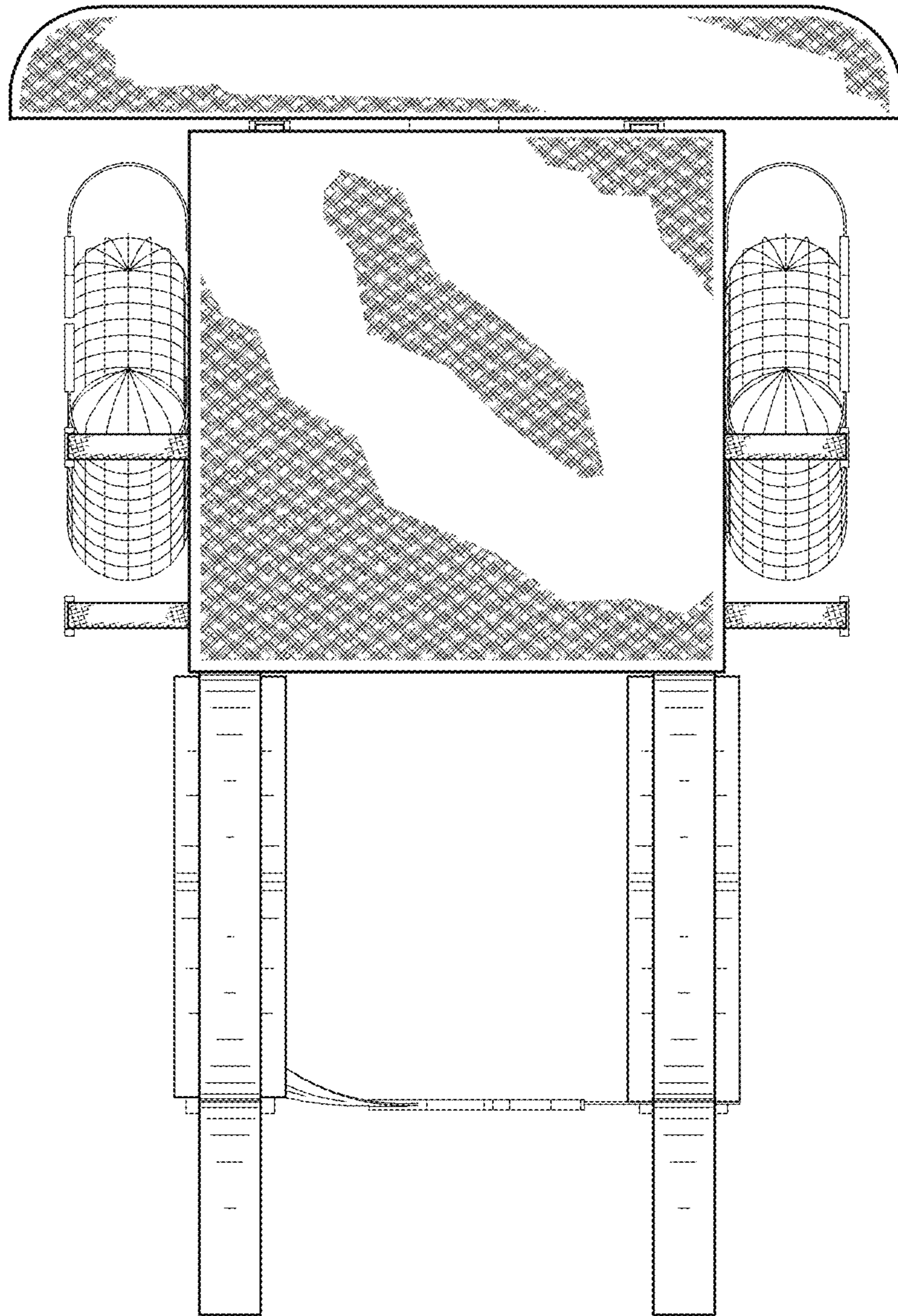


Fig. 4

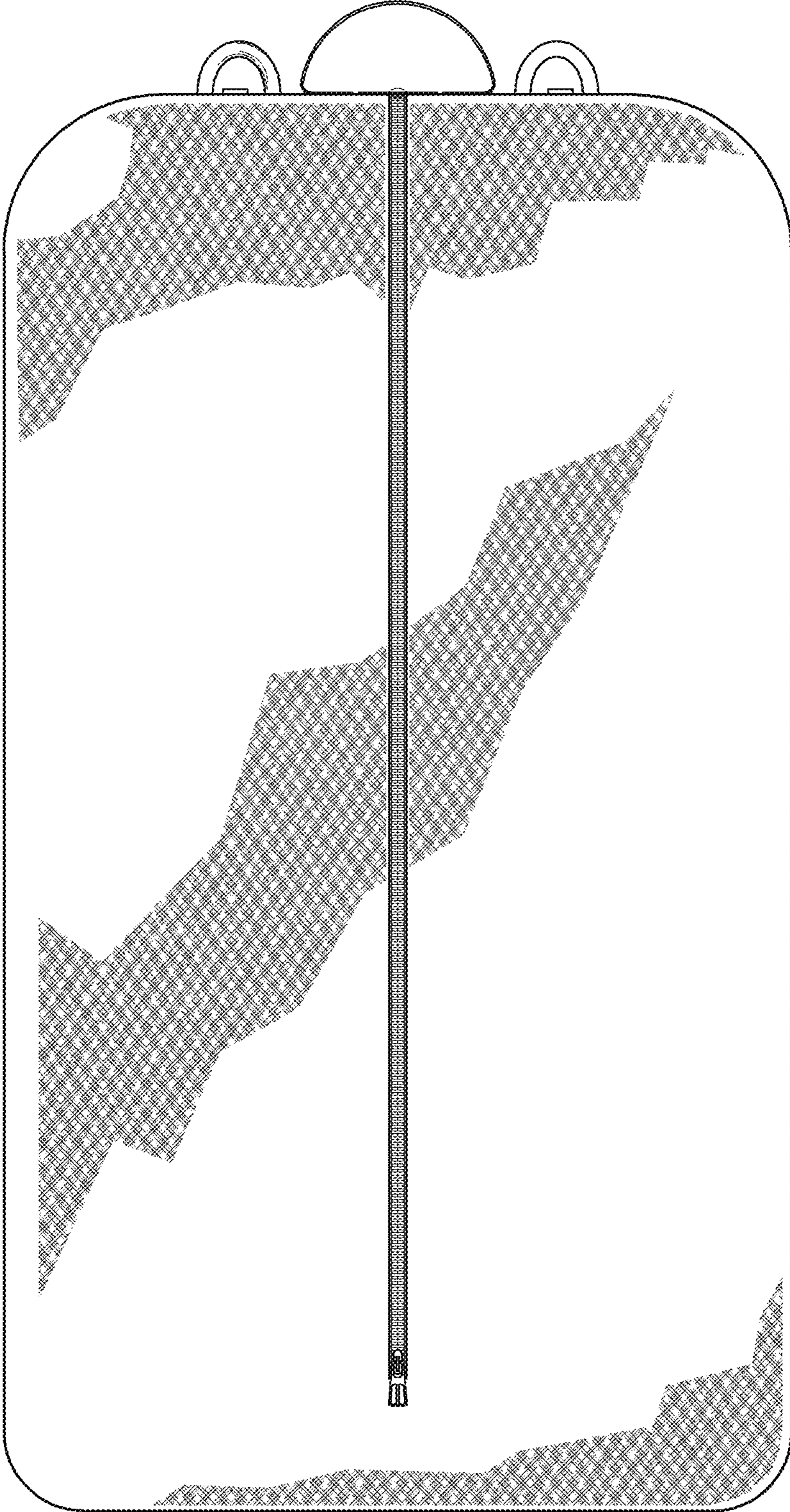


Fig. 5

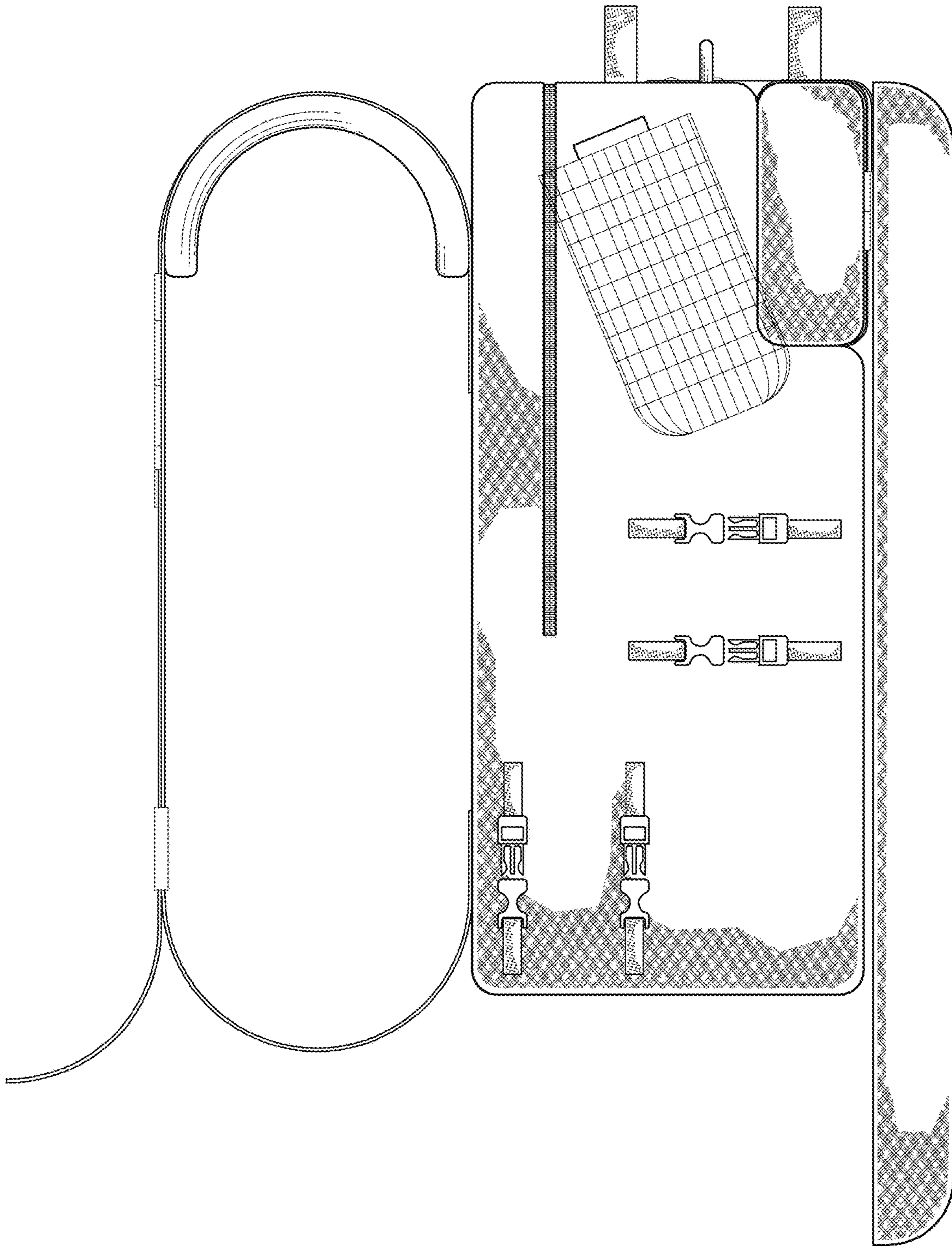


Fig. 6

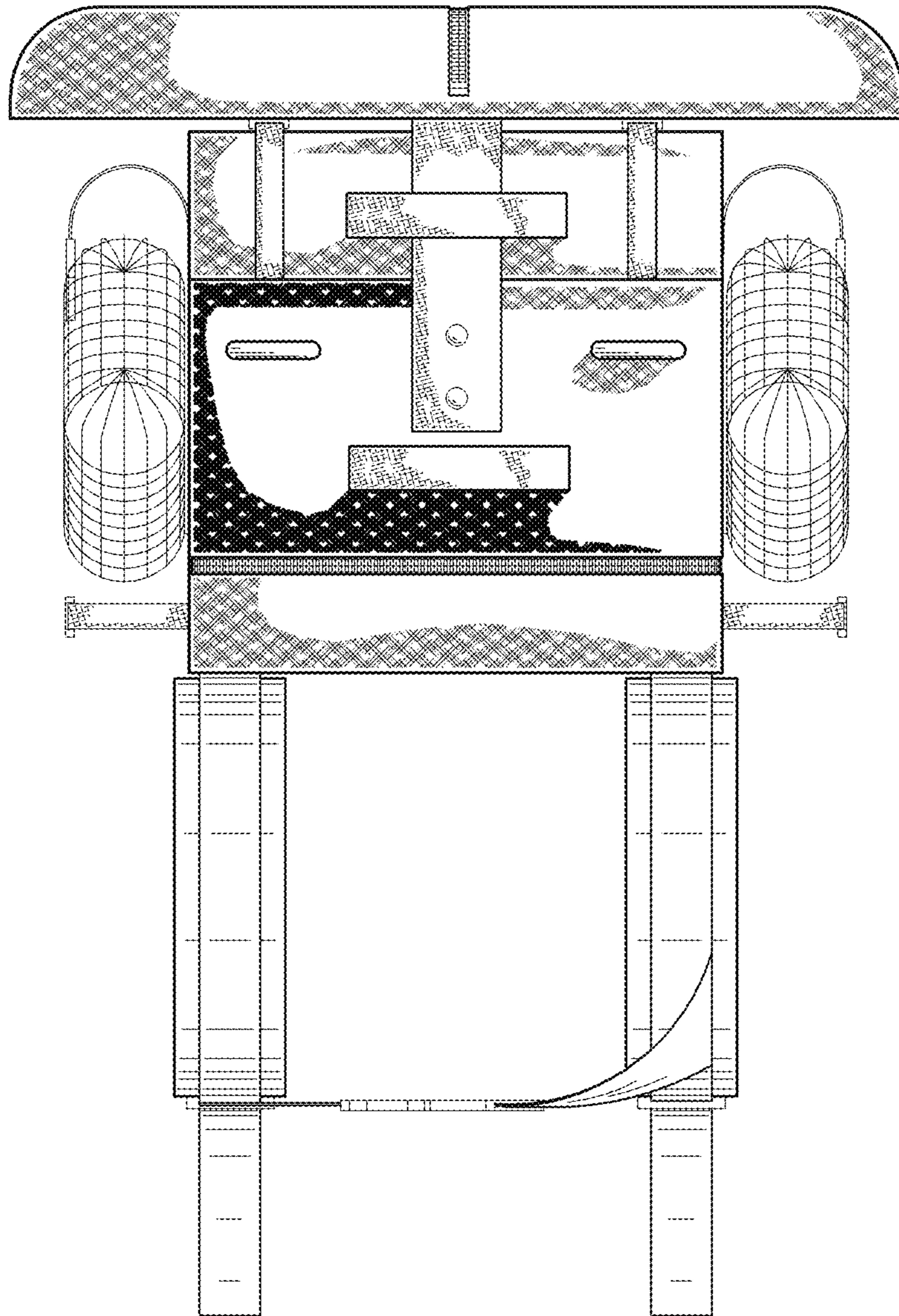


Fig. 7