

US00D791471S

(12) **United States Design Patent**
Licano

(10) **Patent No.:** **US D791,471 S**
(45) **Date of Patent:** **** Jul. 11, 2017**

- (54) **CANE TIP FOR THE BLIND**
- (71) Applicant: **Obed V. Licano**, Tucson, AZ (US)
- (72) Inventor: **Obed V. Licano**, Tucson, AZ (US)
- (**) Term: **15 Years**
- (21) Appl. No.: **29/581,403**
- (22) Filed: **Oct. 18, 2016**
- (51) **LOC (10) Cl.** **03-03**
- (52) **U.S. Cl.**
USPC **D3/15**
- (58) **Field of Classification Search**
USPC D3/5, 6, 7, 9, 10, 17; D10/70, 71, 73;
D34/24
CPC A45B 1/02; A45B 3/00; A45B 2009/002;
A45B 2009/005; A45B 2009/007; A61H
3/06; A61H 6/04; A61H 3/068
See application file for complete search history.

- 5,097,856 A * 3/1992 Chi-Sheng A61H 3/061
135/72
 - D329,538 S * 9/1992 Rau D3/13
 - D361,189 S * 8/1995 Smeitink D34/24
 - 5,485,862 A 1/1996 Kahn
 - 5,687,136 A * 11/1997 Borenstein A61H 3/061
367/116
 - 5,692,533 A * 12/1997 Meltzer A61H 3/04
135/65
 - D399,031 S * 9/1998 Prosper D15/14
- (Continued)

(56) **References Cited**

U.S. PATENT DOCUMENTS

- 1,542,894 A * 6/1925 Langner A61H 3/068
135/66
- 2,379,426 A * 7/1945 Edstrom A61H 3/068
135/85
- 3,051,097 A * 8/1962 Wyman A61H 3/066
104/247
- 3,223,099 A * 12/1965 Hagood, Sr. A45B 1/02
135/66
- 3,251,371 A * 5/1966 Croker A61H 3/061
135/66
- D241,303 S * 9/1976 Sandel et al. D32/51
- 4,278,244 A * 7/1981 Carter B25B 5/142
269/152
- 4,559,962 A * 12/1985 Marchiano A61H 3/068
135/85
- 4,749,159 A * 6/1988 Hoff B60B 33/0002
16/29
- 4,759,098 A * 7/1988 Ko B60B 33/0042
16/29

OTHER PUBLICATIONS

www.independentliving.com, viewed on Sep. 21, 2016.

Primary Examiner — John Windmuller
Assistant Examiner — Steven Czyz
(74) *Attorney, Agent, or Firm* — Mark V. Loen

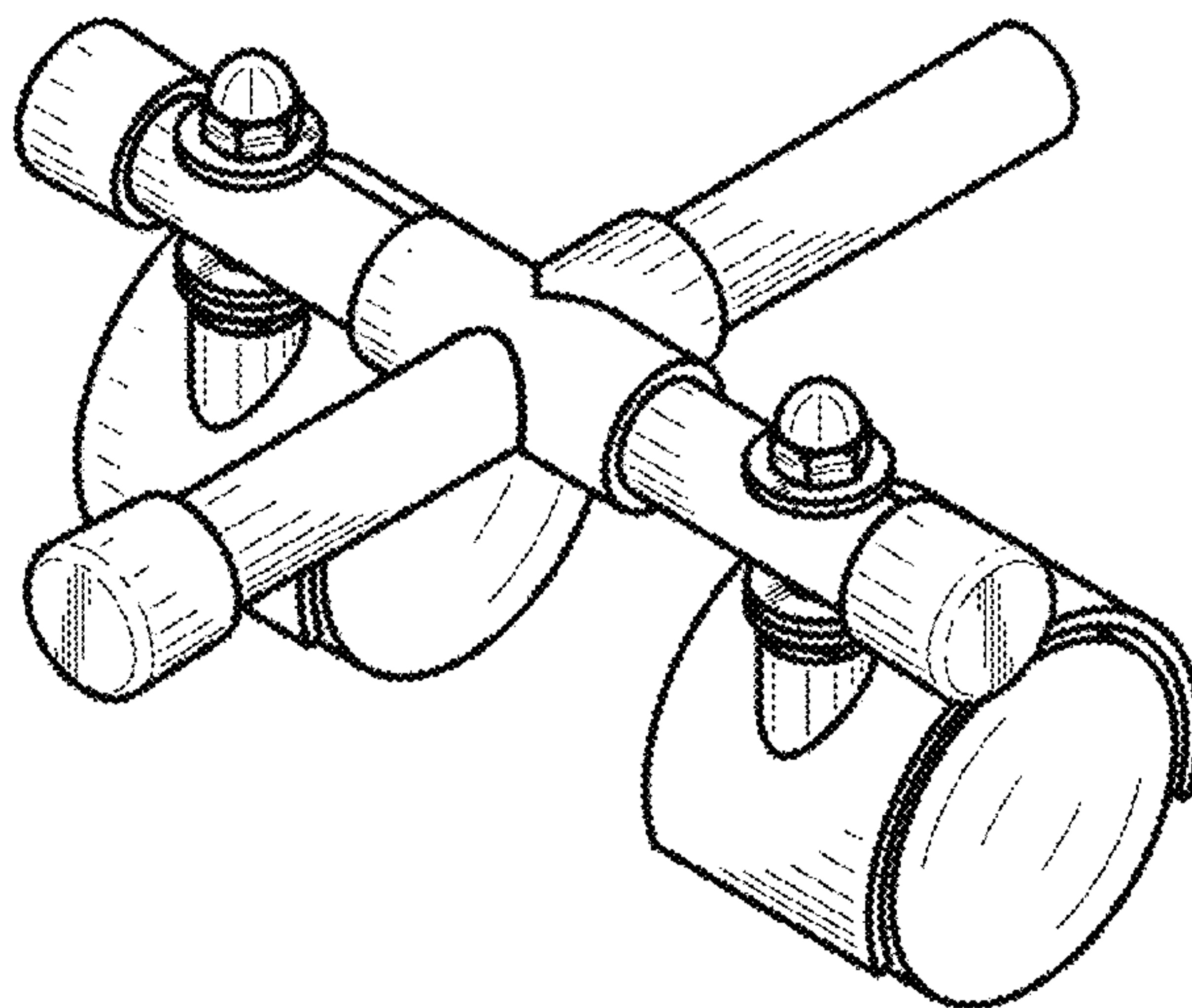
(57) **CLAIM**

The ornamental design for a cane tip for the blind, as shown and described.

DESCRIPTION

FIG. 1 is a front view of a cane tip for the blind; the back side view being a mirror image; FIG. 2 is a right side view thereof; FIG. 3 is a left side view thereof; FIG. 4 is a top view thereof; FIG. 5 is a bottom view thereof; FIG. 6 is an isometric view thereof; and, FIG. 7 is an isometric view thereof with a cane shaft and handle in broken lines showing the cane tip for the blind in a condition of use showing how the cane tip for the blind rotates around a horizontal axis through the tubing connected to the wheels. The broken lines depict portions of the article and environment that form no part of the claimed design.

1 Claim, 6 Drawing Sheets



(56)

References Cited

U.S. PATENT DOCUMENTS

6,158,453 A * 12/2000 Nasco A45B 1/02
135/77
6,443,467 B1 * 9/2002 Black B62B 7/046
280/47.38
6,715,794 B2 4/2004 Frank
6,752,230 B1 * 6/2004 Huang A61G 5/043
180/209
D590,591 S * 4/2009 Yates D12/130
D626,237 S * 10/2010 Nordgren D24/185
D642,351 S * 7/2011 Bozzo D34/24
8,858,401 B2 * 10/2014 Kaupe A45B 1/02
135/65
D771,895 S * 11/2016 Hsu D34/24
2003/0094191 A1 * 5/2003 Lin A61H 3/04
135/65
2003/0205265 A1 * 11/2003 Nasco, Sr. A45B 9/00
135/65
2009/0308419 A1 * 12/2009 You A45B 11/00
135/20.1
2012/0029696 A1 * 2/2012 Ota A61H 3/04
700/250
2014/0261594 A1 * 9/2014 Salomon A45B 1/02
135/85

* cited by examiner

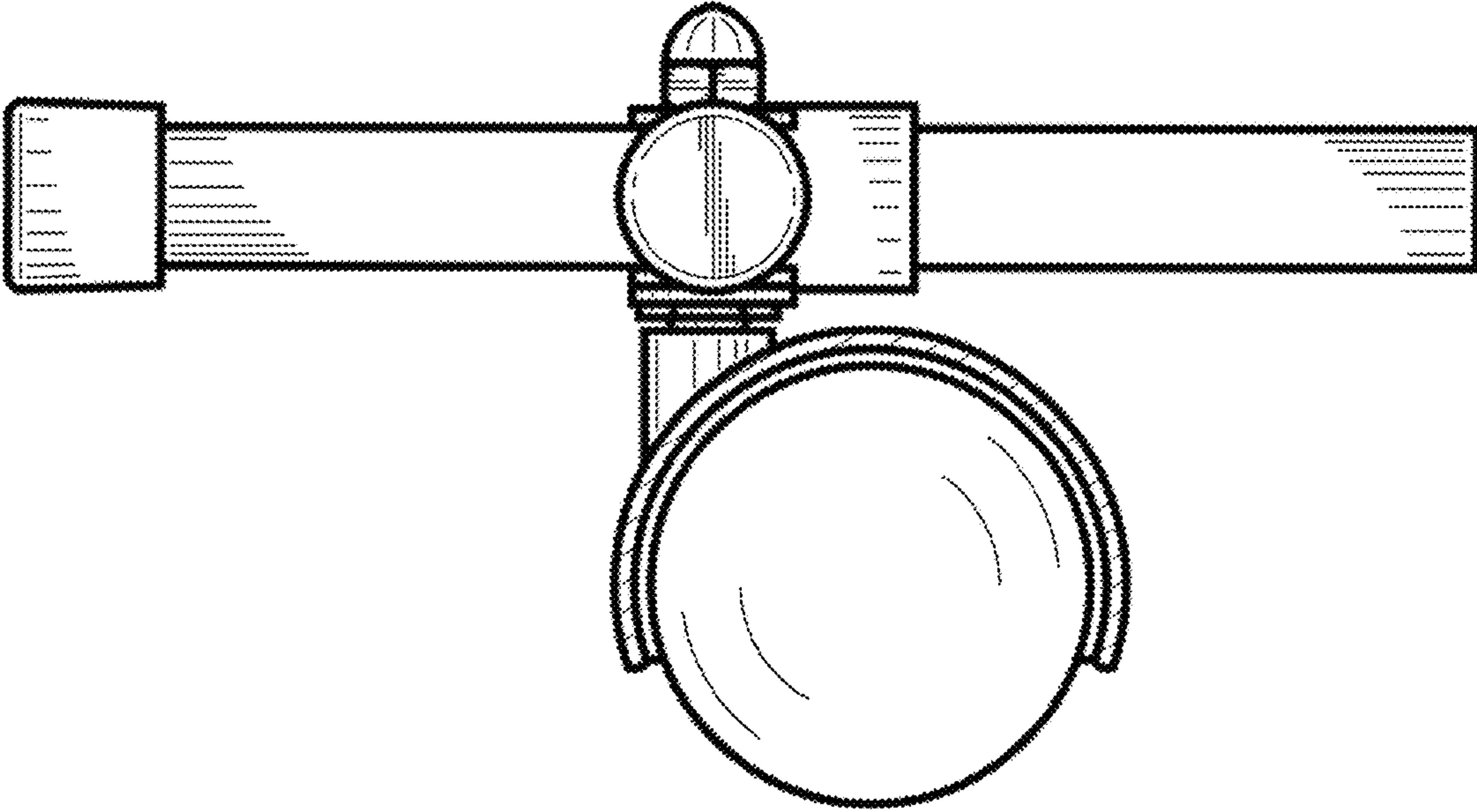


FIG. 1

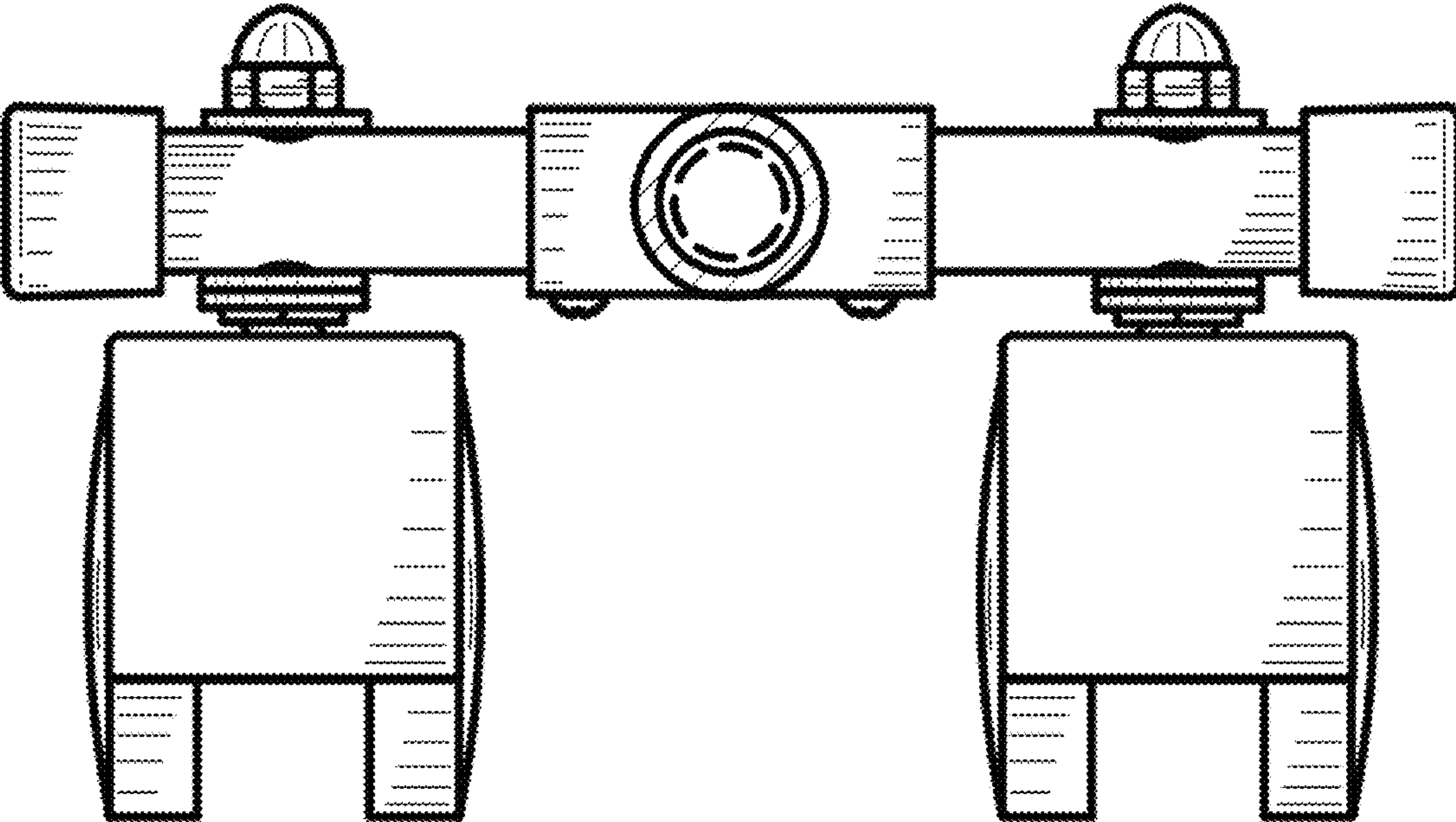


FIG. 2

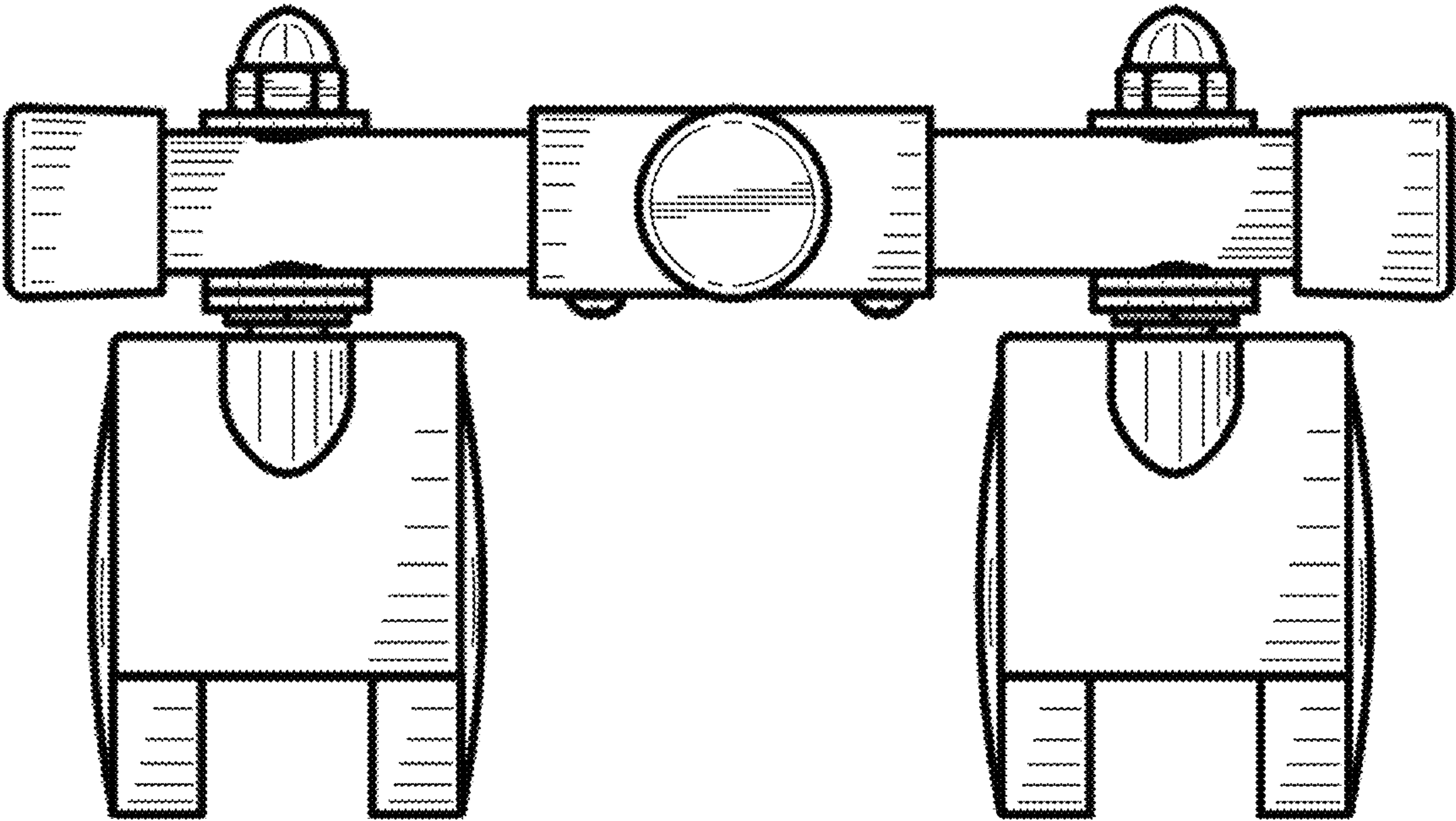


FIG. 3

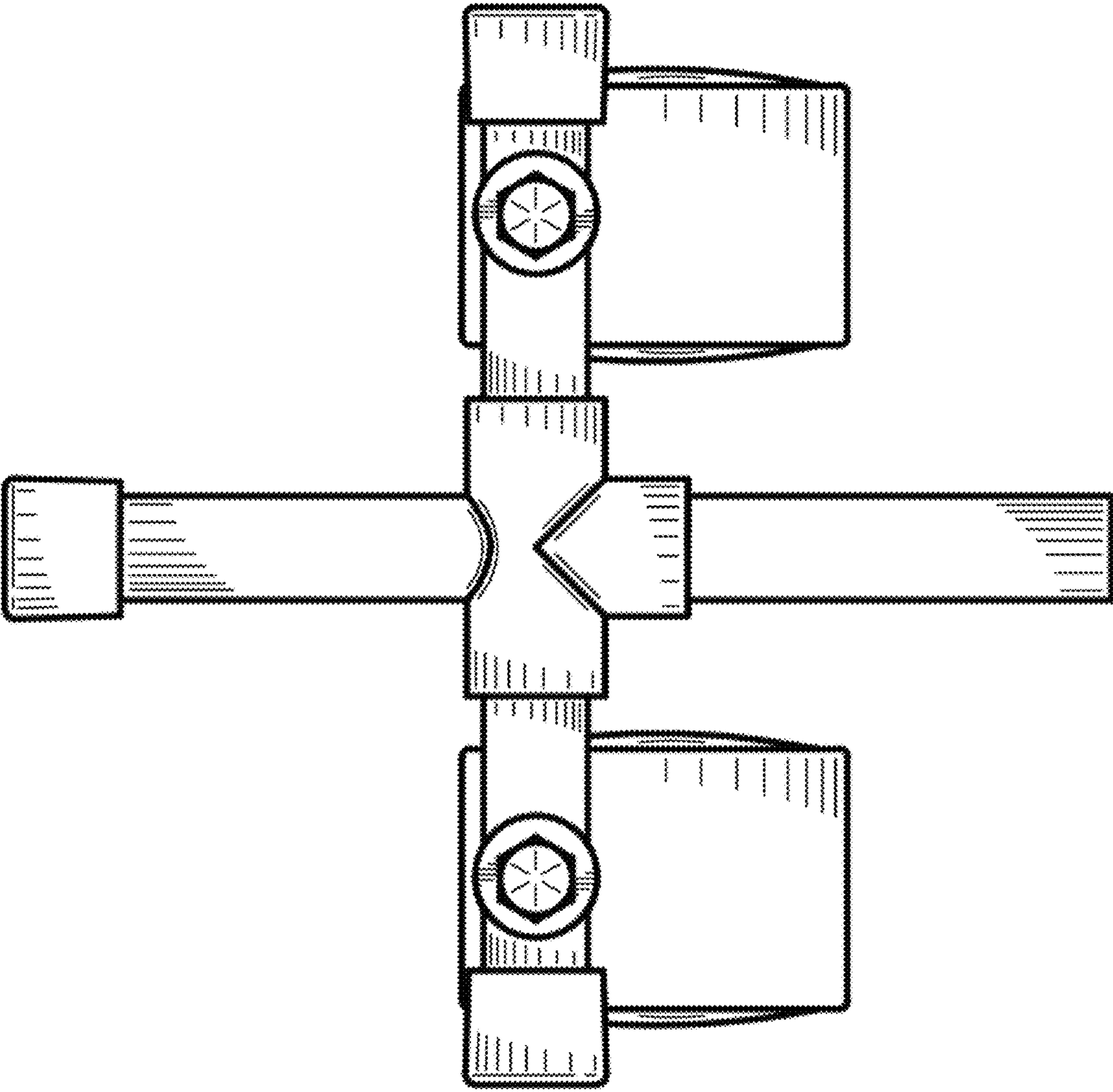


FIG. 4

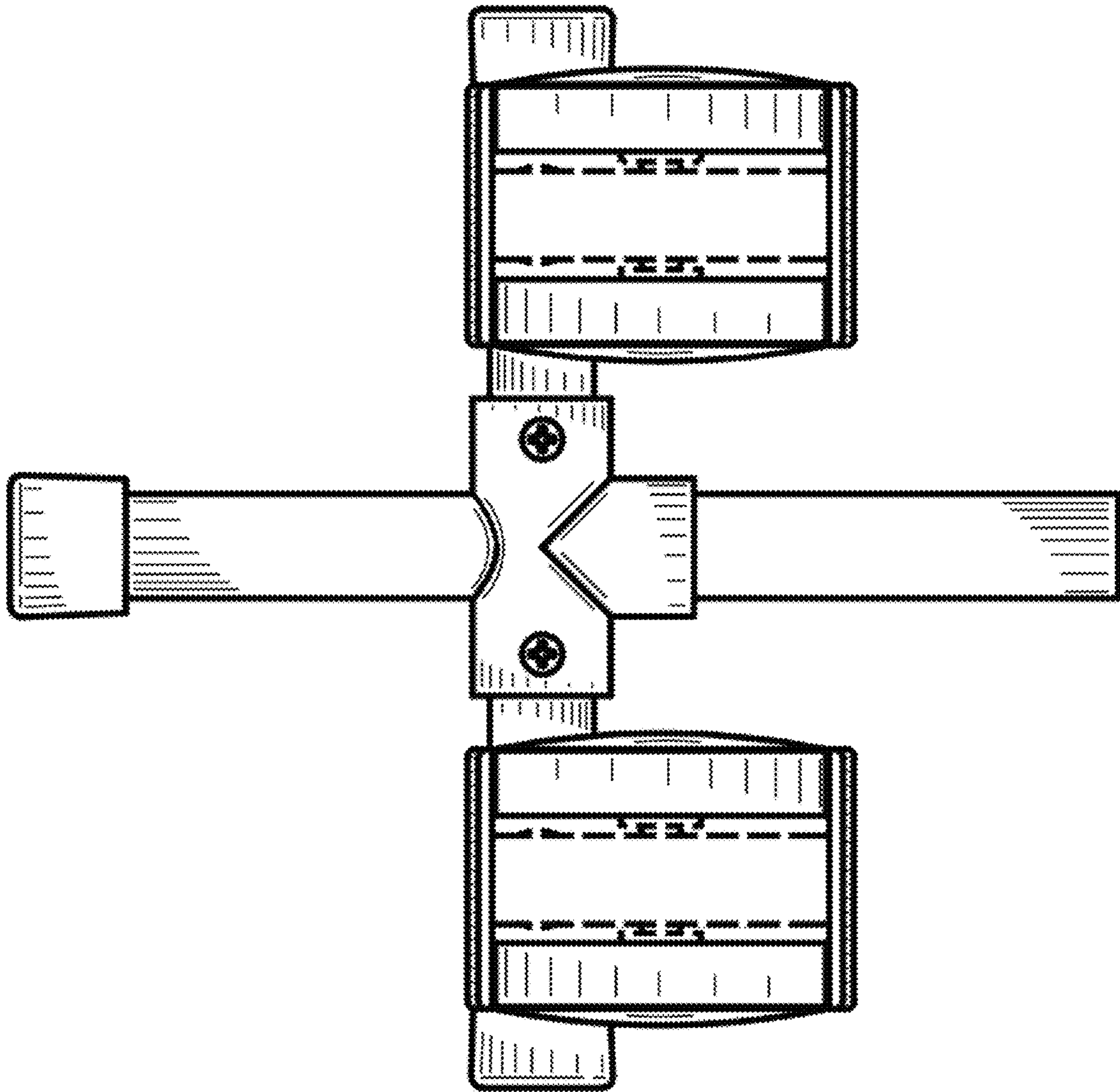


FIG. 5

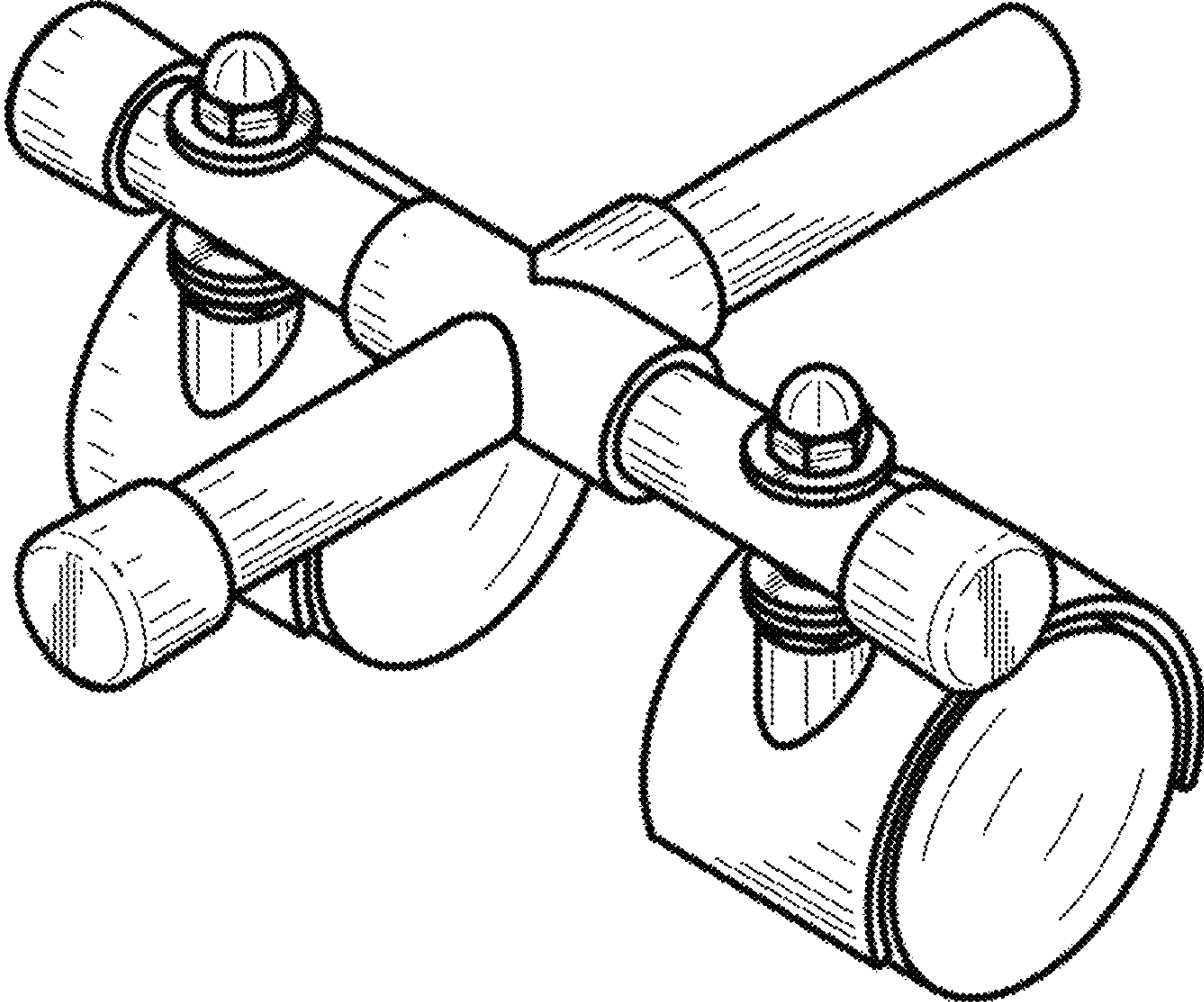


FIG. 6