



US00D791470S

(12) **United States Design Patent** (10) **Patent No.:** **US D791,470 S**
Ye (45) **Date of Patent:** **** Jul. 11, 2017**

(54) **UMBRELLA HANDLE**
(71) Applicant: **Ying Ye**, Maidenhead (GB)
(72) Inventor: **Ying Ye**, Maidenhead (GB)
(**) Term: **15 Years**

(21) Appl. No.: **29/581,427**
(22) Filed: **Oct. 19, 2016**
(51) **LOC (10) Cl.** **03-03**
(52) **U.S. Cl.**
USPC **D3/12**
(58) **Field of Classification Search**
USPC D3/5, 6, 10, 12, 13, 14, 15, 17; D8/307,
D8/313; D24/215
CPC A45B 2200/1081; A45B 9/02
See application file for complete search history.

(56) **References Cited**
U.S. PATENT DOCUMENTS
D73,948 S * 11/1927 Soriente et al. D3/7
3,093,402 A * 6/1963 Sisson A45B 3/00
135/65
D218,509 S * 8/1970 Levy et al. 135/72
D293,388 S * 12/1987 Susan D3/12
D311,639 S * 10/1990 Ibanez D3/11
D313,737 S * 1/1991 Cattaneo D8/307
D368,011 S * 3/1996 McCoy D8/303
D432,892 S * 10/2000 Nakatani D8/307
D441,950 S * 5/2001 Suen D3/7
D449,436 S * 10/2001 Baurley D3/5

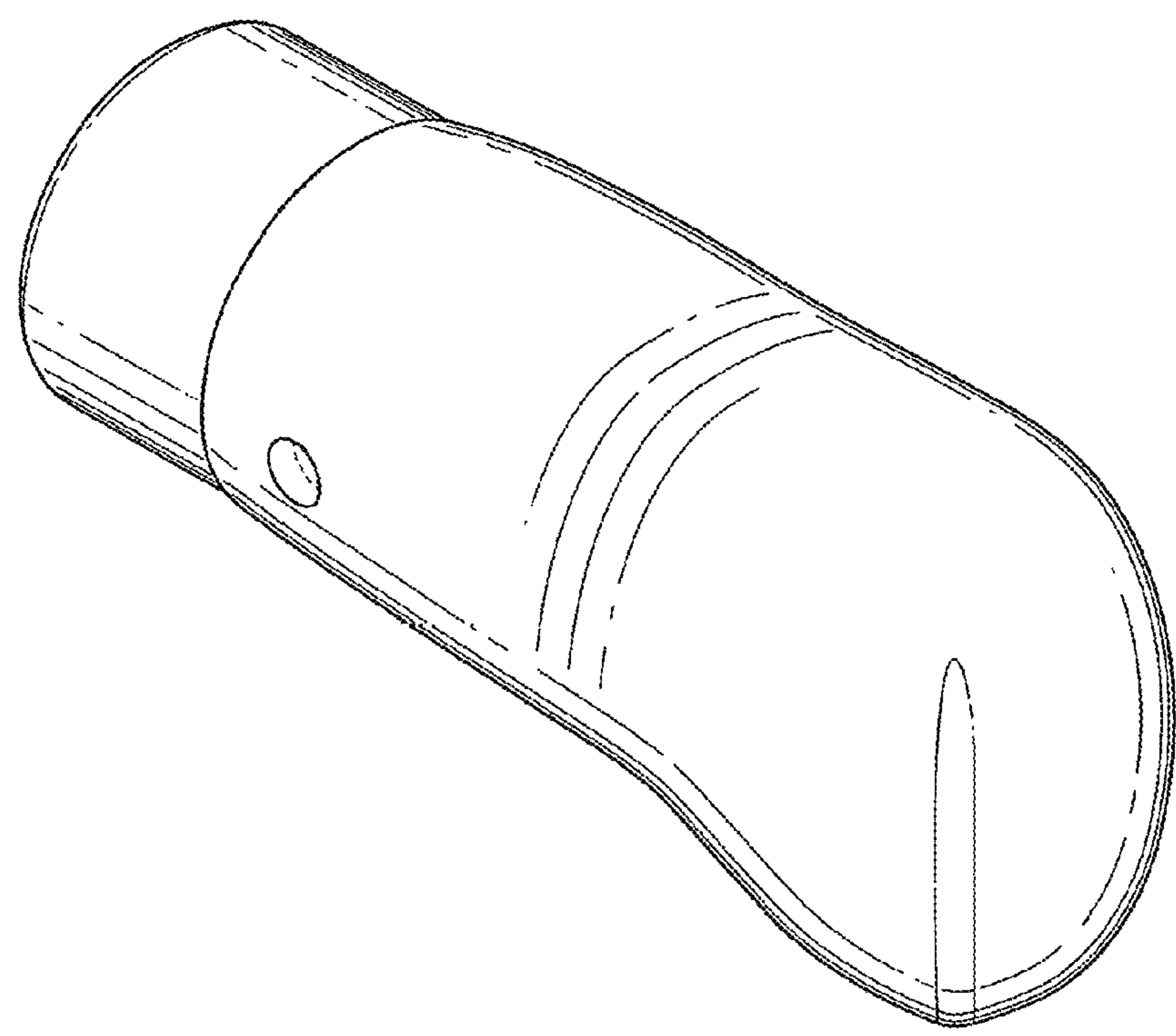
D530,977 S * 10/2006 Timm D7/395
D551,051 S * 9/2007 Wang D8/107
D622,497 S * 8/2010 Branton D3/7
D630,487 S * 1/2011 Davis D8/107
D661,964 S * 6/2012 Pangborn D8/107
D723,791 S * 3/2015 Headley D3/12
D734,021 S * 7/2015 Kerr D3/12
D773,173 S * 12/2016 Headley D3/12
2012/0012141 A1* 1/2012 Pietrzak A45B 9/02
135/66
2016/0310827 A1* 10/2016 Spataro A63C 11/24

* cited by examiner
Primary Examiner — John Windmuller
Assistant Examiner — Steven Czyz

(57) **CLAIM**
The ornamental design for an umbrella handle, as shown and described.

DESCRIPTION
FIG. 1 is a front perspective view of an umbrella handle showing my new design;
FIG. 2 is a front view thereof;
FIG. 3 is a rear view thereof;
FIG. 4 is a left side view thereof;
FIG. 5 is a right side view thereof;
FIG. 6 is a top view thereof; and,
FIG. 7 is a bottom view thereof.
The broken lines shown in the drawings are for the purpose of illustrating unclaimed portions of the umbrella handle and form no part of the claimed design.

1 Claim, 7 Drawing Sheets



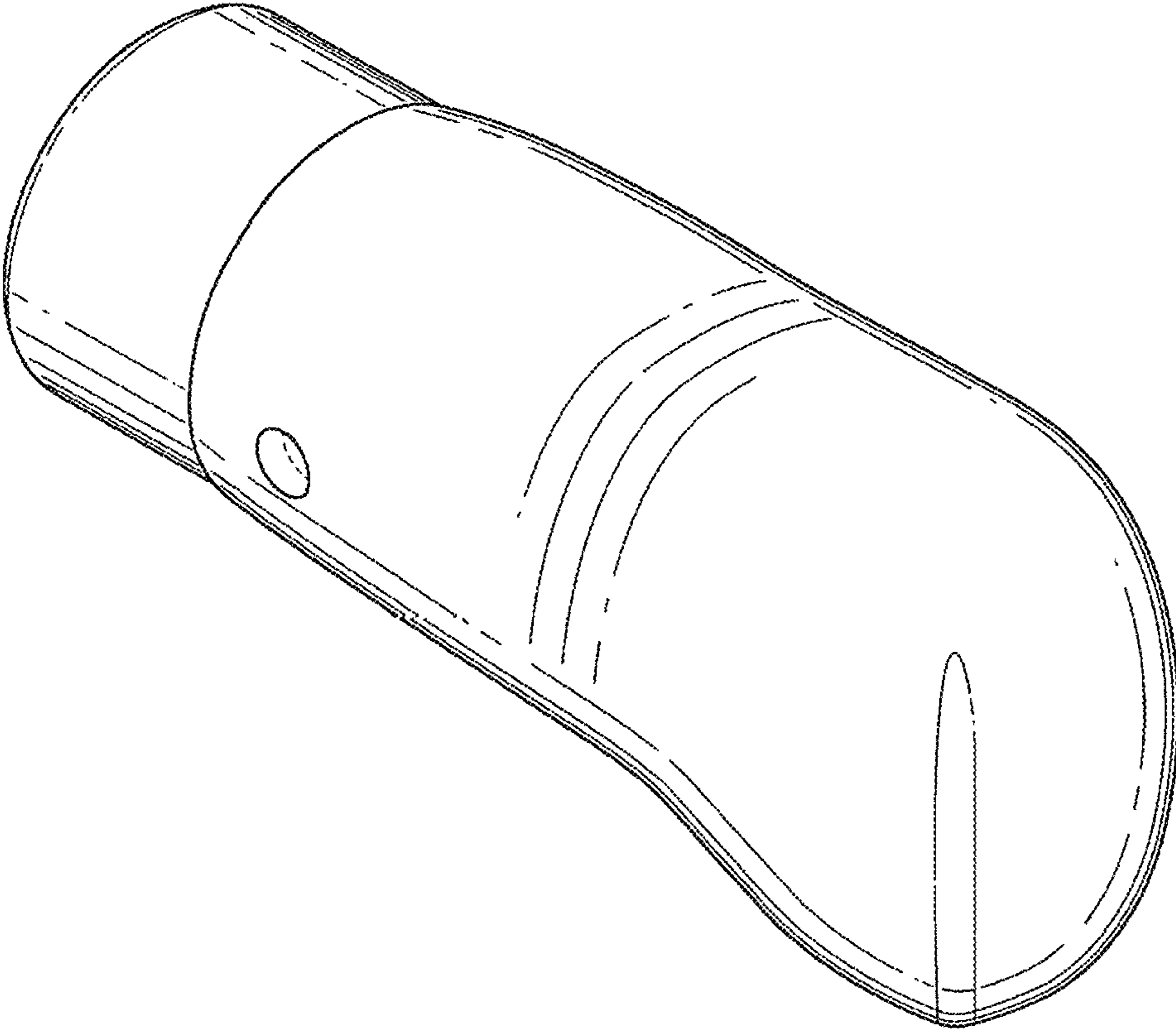


FIG. 1

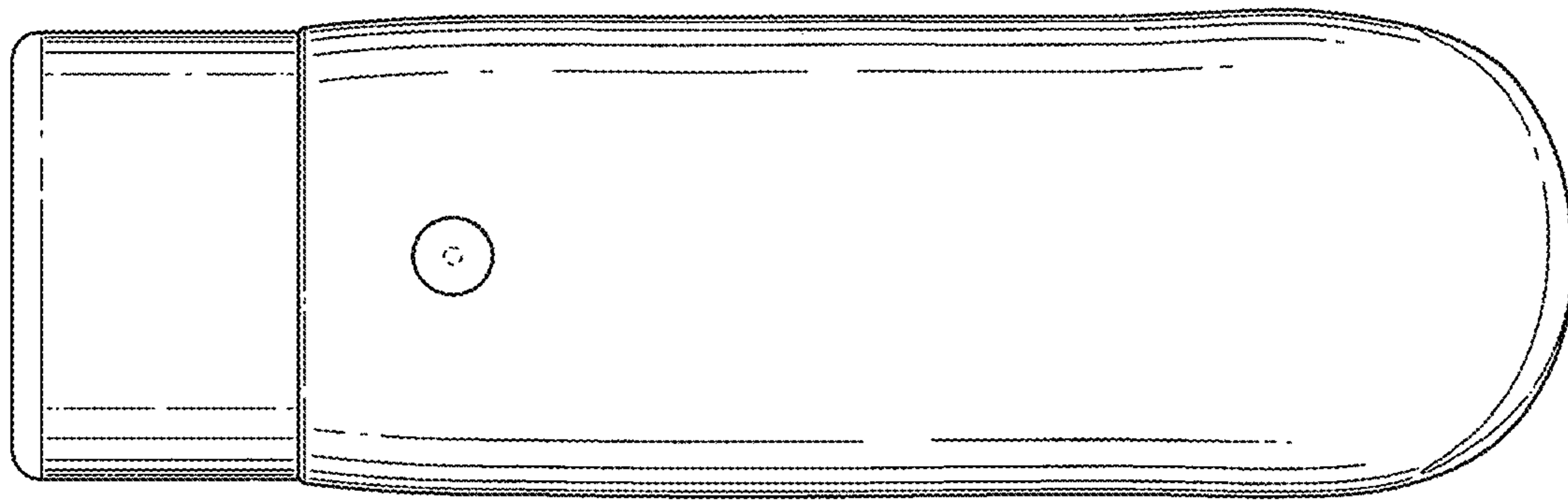


FIG. 2

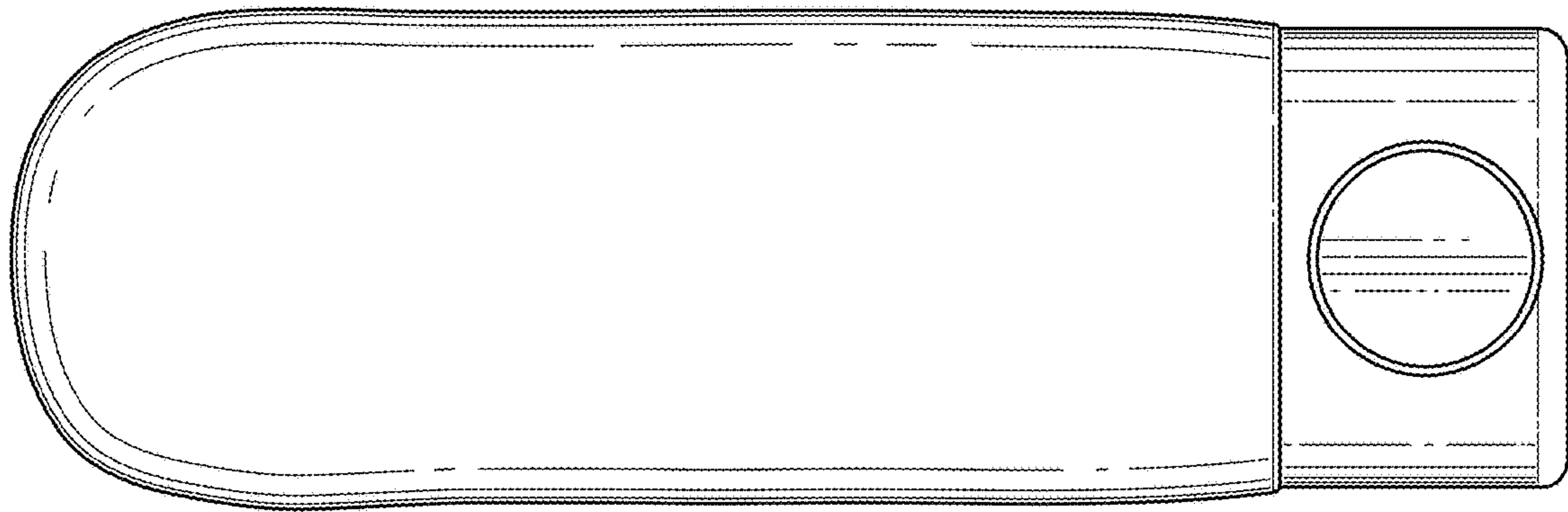


FIG. 3

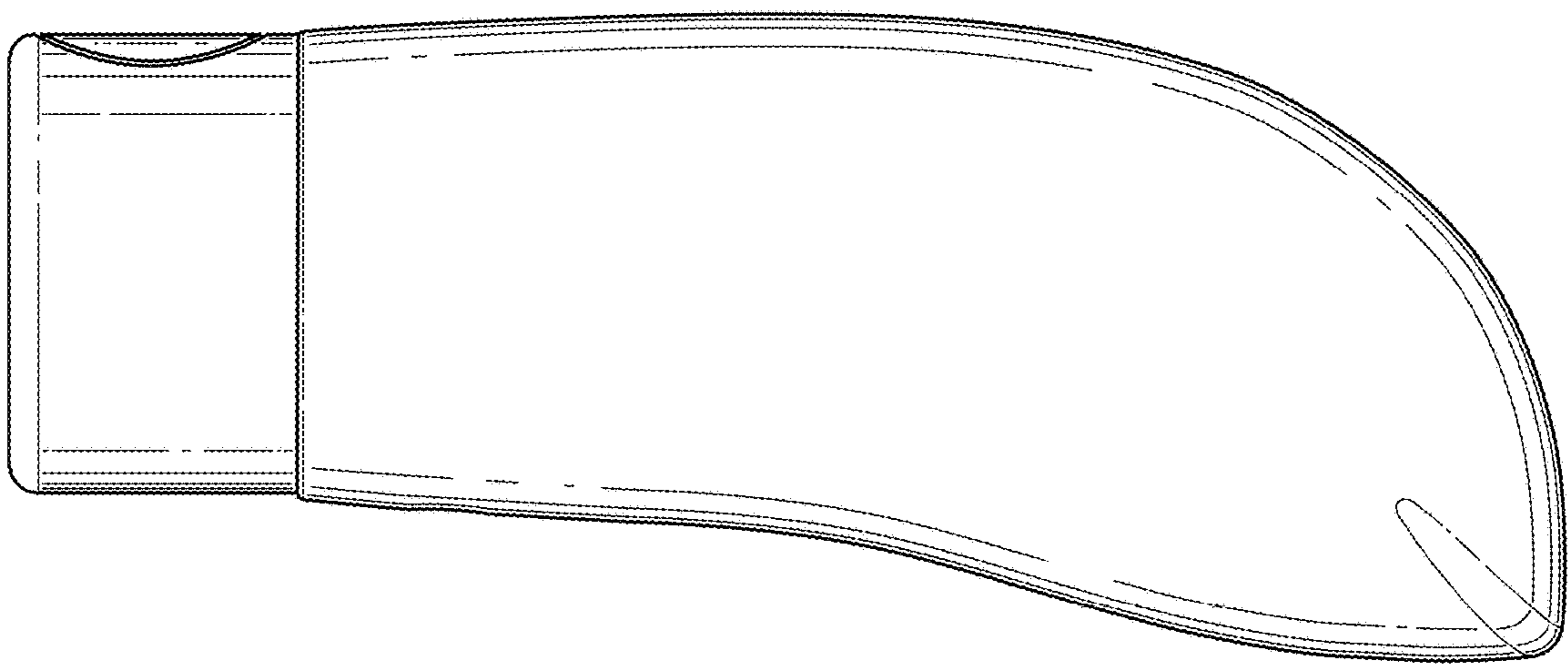


FIG. 4

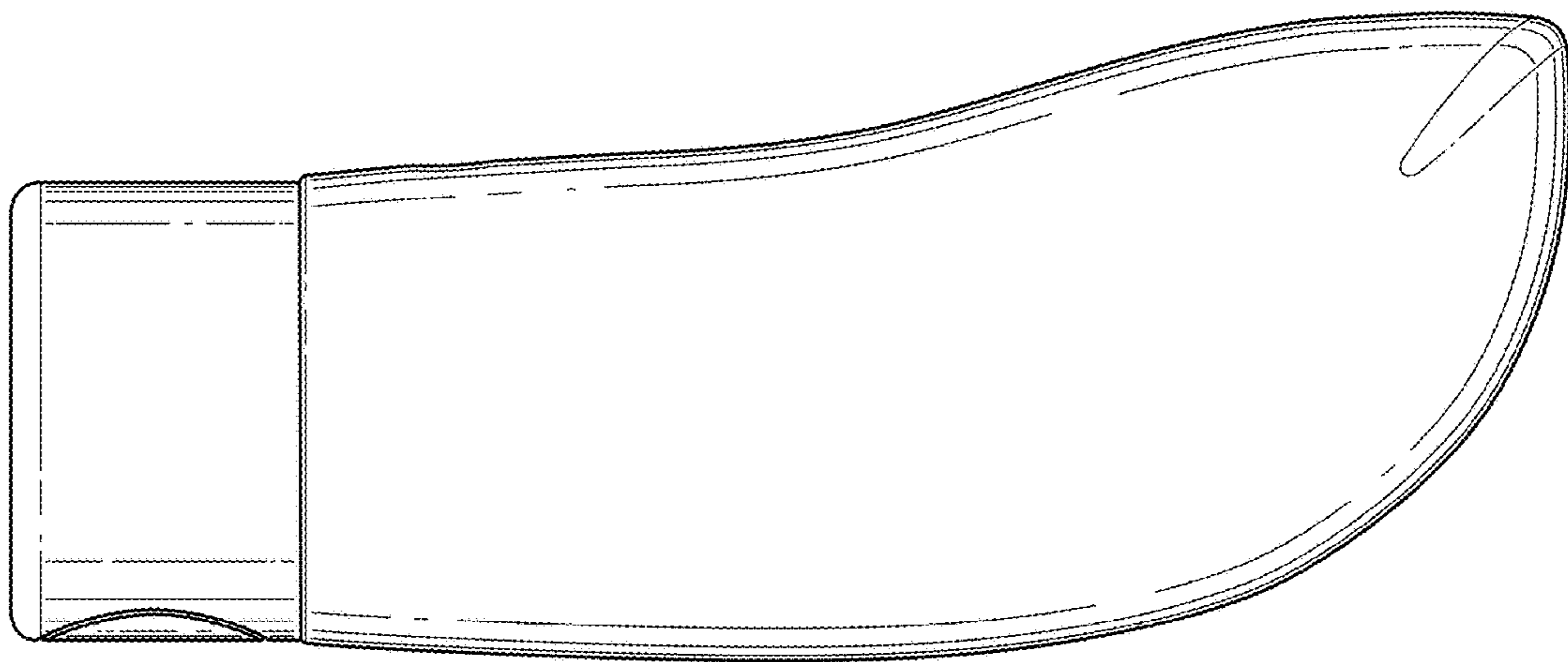


FIG. 5

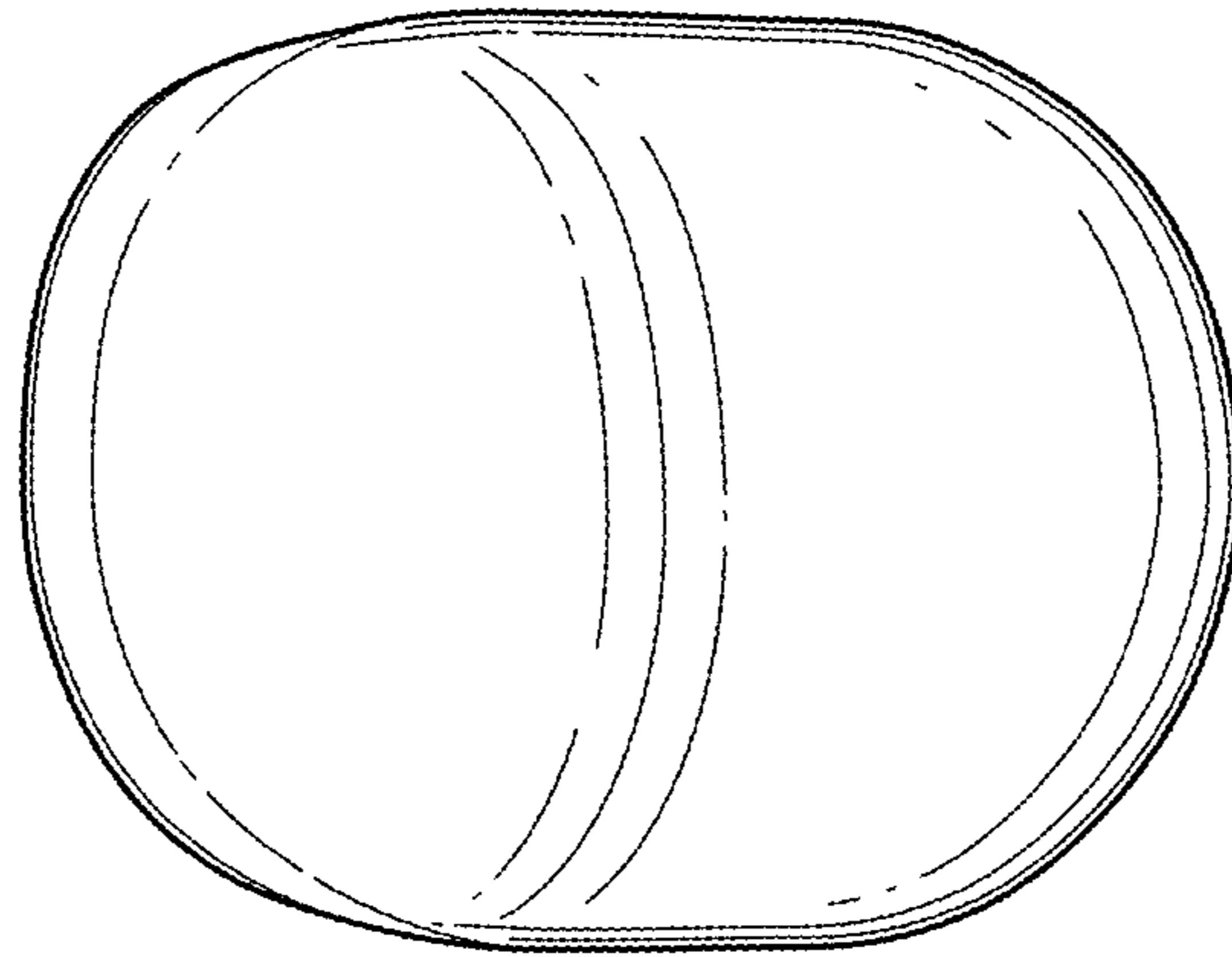


FIG. 6

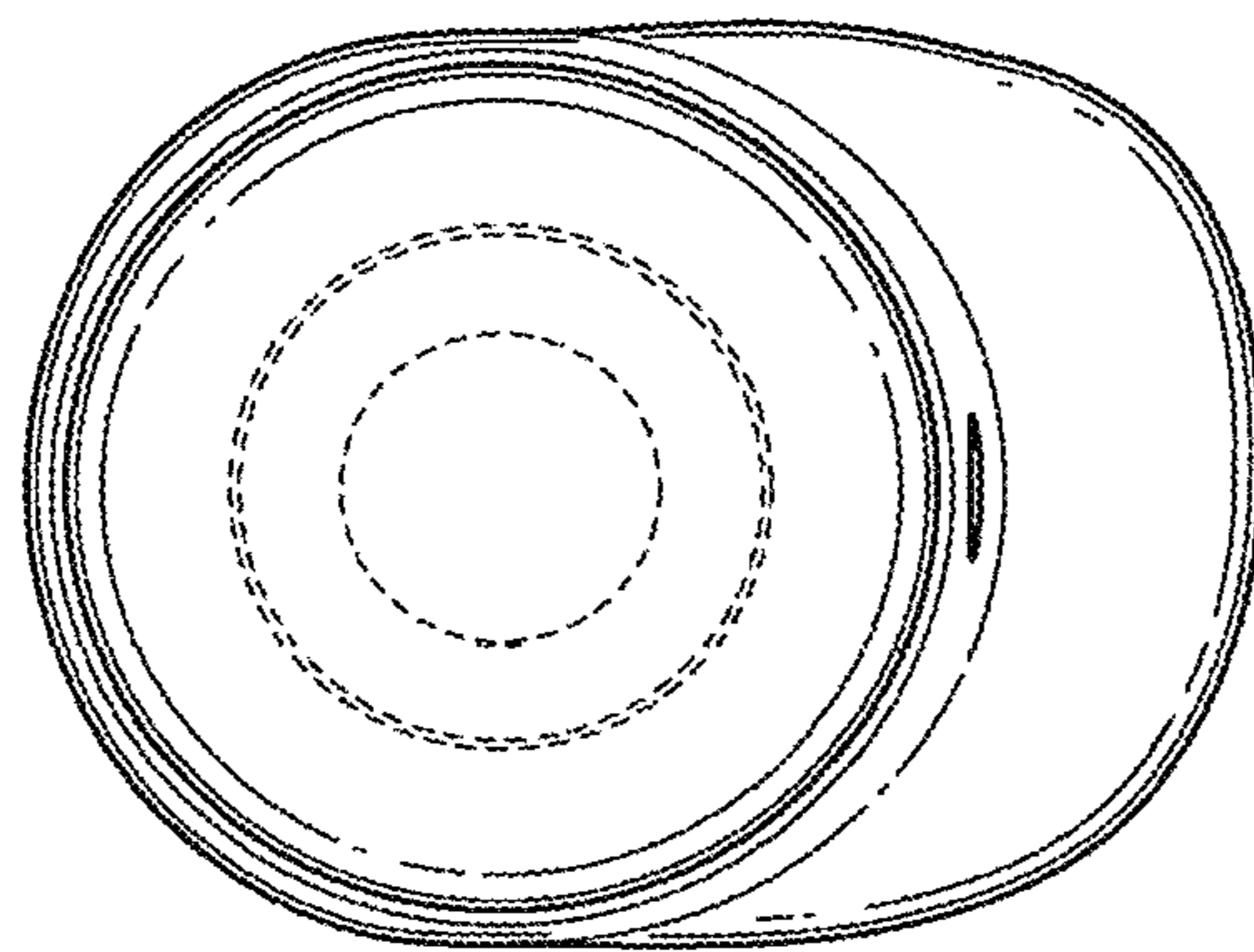


FIG. 7