



US00D791467S

(12) **United States Design Patent**
Neuman

(10) **Patent No.:** **US D791,467 S**
(45) **Date of Patent:** **** Jul. 11, 2017**

- (54) **CANOPY**
- (71) Applicant: **PEPCAN MANUFACTURING INC.**,
Langley, British Columbia (CA)
- (72) Inventor: **Marshall Neuman**, Langley (CA)
- (**) Term: **14 Years**
- (21) Appl. No.: **29/453,884**
- (22) Filed: **May 3, 2013**
- (51) **LOC (10) Cl.** **03-03**
- (52) **U.S. Cl.**
USPC **D3/5**
- (58) **Field of Classification Search**
USPC D3/5, 7, 10, 13, 215, 216, 221; D12/129,
D12/133, 317, 401; D21/441, 445, 446,
D21/837, 834, 838; D25/56, 57, 58;
135/16, 20.1, 21, 98; 224/186.188–190,
224/242, 245, 259, 576, 645, 650–655,
224/915; D6/389, 716.8, 718.29
CPC A45B 2009/005; A45B 9/02; A45B 9/04;
A45B 9/99; A45B 25/02; A45B 25/06;
A45B 17/00; A45B 25/12; A45B 25/22;
A45B 25/66; A45B 2009/007; A45B
11/00; A45B 11/02; A45C 13/40; A45F
3/04; A45F 3/14; A45F 3/08
See application file for complete search history.

- 5,355,902 A * 10/1994 Schlangen A45B 11/00
135/20.1
 - D371,262 S * 7/1996 Forbes, Sr. D6/716.8
 - 5,887,771 A * 3/1999 Perry A45B 11/02
224/190
 - D409,762 S * 5/1999 Blessing D25/56
 - D409,763 S * 5/1999 Rogers D25/56
- (Continued)

FOREIGN PATENT DOCUMENTS

- CN 3378314 * 7/2004
- GB 2026941 * 3/2014

OTHER PUBLICATIONS

Personal Environmental Protection Canopy: Announced Jan. 13, 2014 [online], site visited [Apr. 11, 2016]. Available from Internet URL: <https://www.kickstarter.com/projects/1258566360/pepcan-personal-environmental-protection-canopy>.*

Primary Examiner — Thomas Johannes
Assistant Examiner — Catherine Posthauer

(57) **CLAIM**

The ornamental design for a canopy, as shown and described.

DESCRIPTION

FIG. 1 is a front and lower perspective view of a canopy according to the present invention.

FIG. 2 is a side and upper elevation view of the canopy illustrated in FIG. 1.

FIG. 3 is a rear elevation view of the canopy illustrated in FIG. 1.

FIG. 4 is a top plan view of the canopy illustrated in FIG. 1 shown in a flattened usage position; and,

FIG. 5 is a bottom plan view of the canopy illustrated in FIG. 1 shown in a flattened usage position.

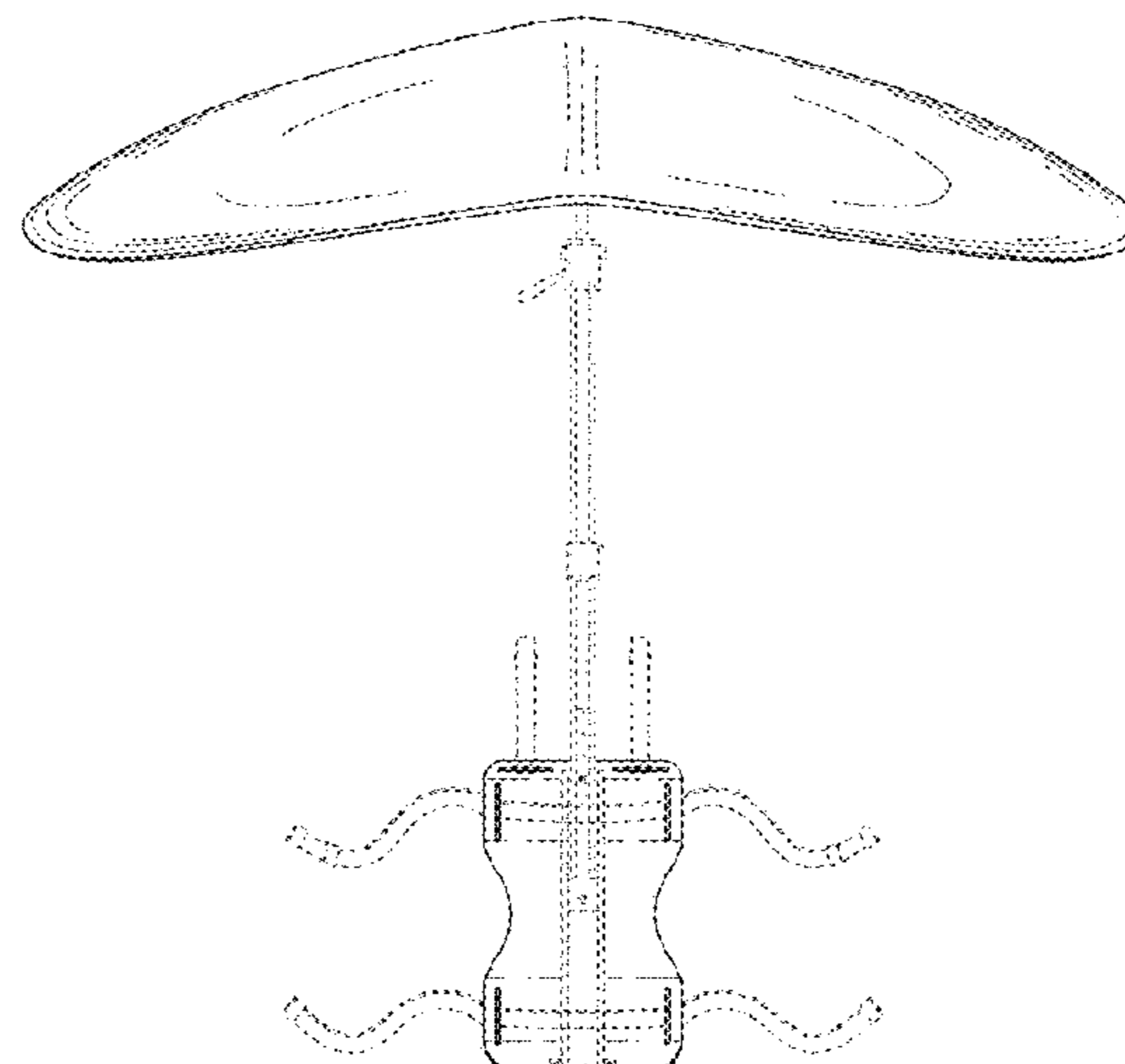
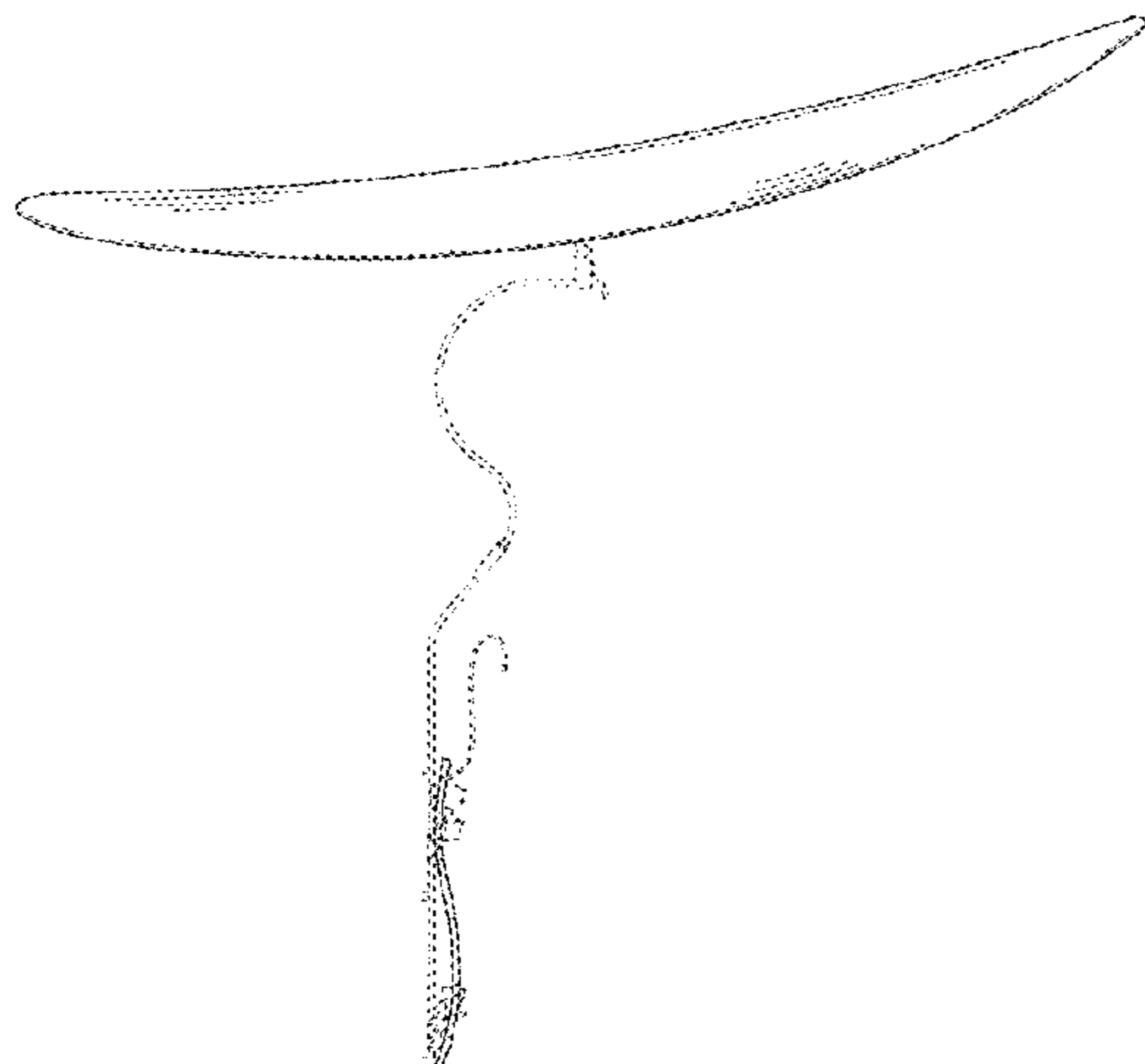
The broken lines in FIGS. 1 and 3 illustrate straps used to secure a back portion to a user, and do not form a part of the claimed invention.

1 Claim, 5 Drawing Sheets

(56) **References Cited**

U.S. PATENT DOCUMENTS

- 1,347,540 A * 7/1920 Godard A45B 11/02
224/190
- D263,984 S * 4/1982 Moss D21/837
- D263,985 S * 4/1982 Moss D21/838
- D273,346 S * 4/1984 Secon D3/5
- D285,155 S * 8/1986 Allen D6/716.8
- D310,311 S * 9/1990 Bergen D3/5
- D313,964 S * 1/1991 Fuller D12/401
- D318,706 S * 7/1991 Norman D21/837
- D341,407 S * 11/1993 McLeese D21/837



(56)

References Cited

U.S. PATENT DOCUMENTS

D413,394 S * 8/1999 Chipman D25/56
 D414,540 S * 9/1999 Fleishman D21/838
 6,053,385 A * 4/2000 Ward A45B 11/00
 224/153
 D432,665 S * 10/2000 Chipman D25/56
 D459,871 S * 7/2002 Persson D3/5
 7,275,668 B1 * 10/2007 Carroll A45F 3/14
 135/16
 D559,528 S * 1/2008 Clarke D3/10
 D580,072 S * 11/2008 Lenahan D25/56
 D589,697 S * 4/2009 Green D3/5
 D612,146 S * 3/2010 Clarke D3/5
 D624,302 S * 9/2010 Rodriguez D3/5
 D646,741 S * 10/2011 Akaka D21/837
 D649,616 S * 11/2011 Bandini D21/837
 D653,846 S * 2/2012 Goebel D3/12
 8,556,141 B1 * 10/2013 Ferraiolo A45B 17/00
 224/186

8,690,031 B1 * 4/2014 Blakley A45B 11/02
 224/153
 8,733,378 B2 * 5/2014 Tayebi A45B 11/02
 135/16
 8,851,343 B1 * 10/2014 Evans A45B 11/02
 135/20.1
 8,944,300 B1 * 2/2015 Kaufman A45B 11/02
 135/16
 2001/0040177 A1 * 11/2001 Hammond A45B 11/02
 224/188
 2007/0039638 A1 * 2/2007 Johnson A45B 11/02
 135/16
 2008/0078790 A1 * 4/2008 Bolling A45B 11/00
 224/190
 2011/0147427 A1 * 6/2011 Weaver A45B 11/00
 224/576
 2014/0158725 A1 * 6/2014 Christie A45B 11/02
 224/186
 2015/0122862 A1 * 5/2015 Guinancio A45F 3/08
 224/637

* cited by examiner

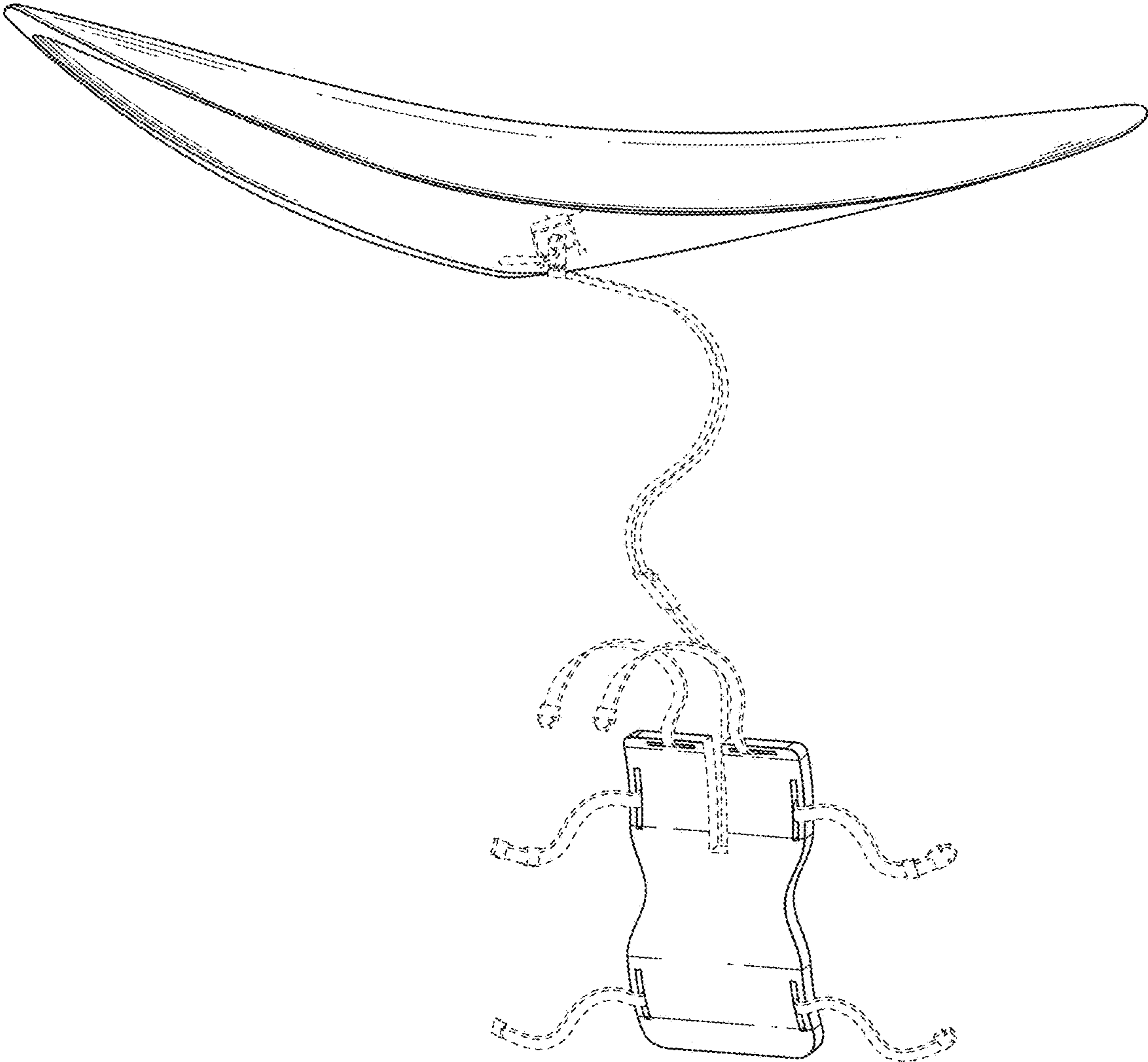


FIG. 1

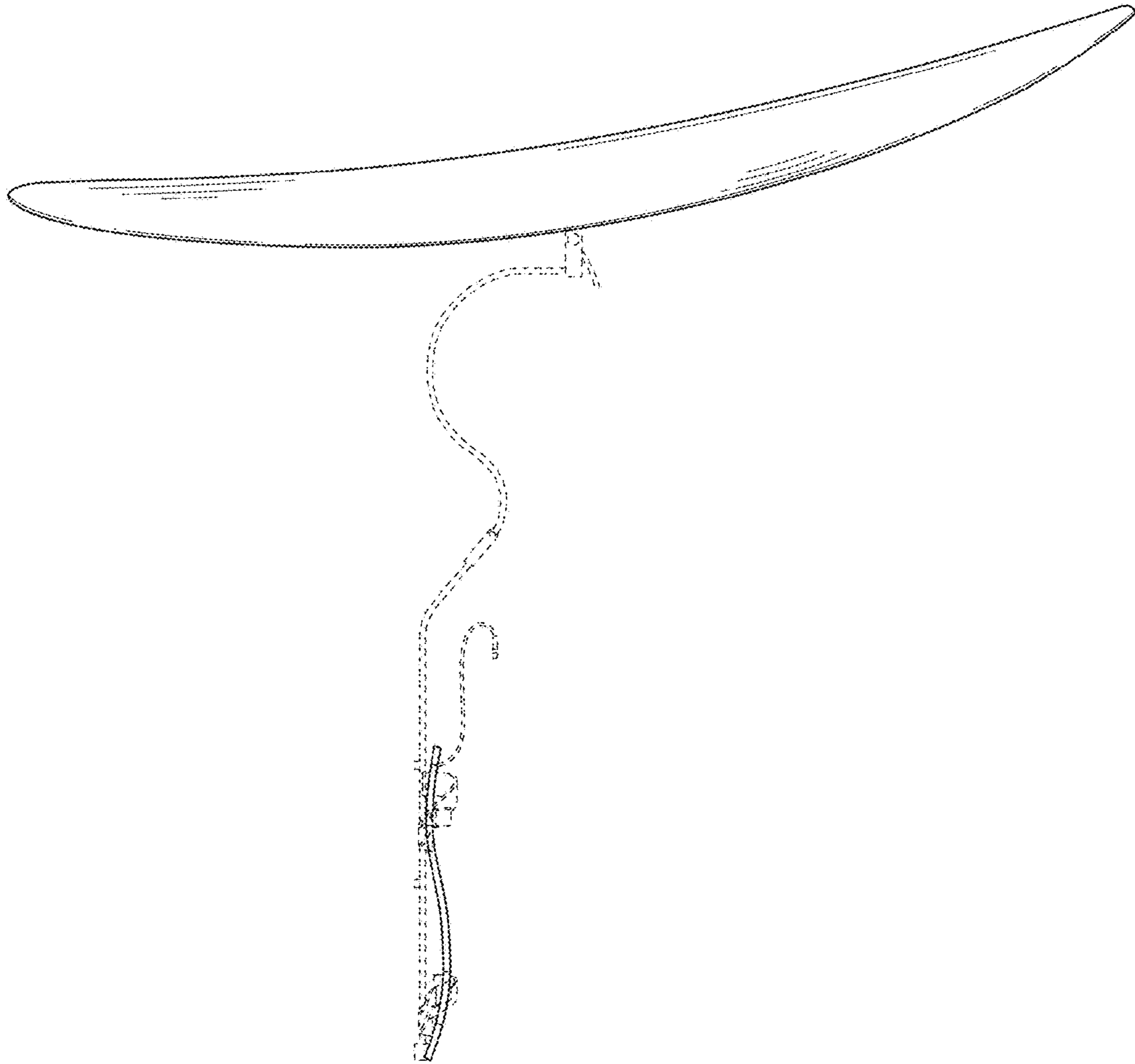


FIG. 2

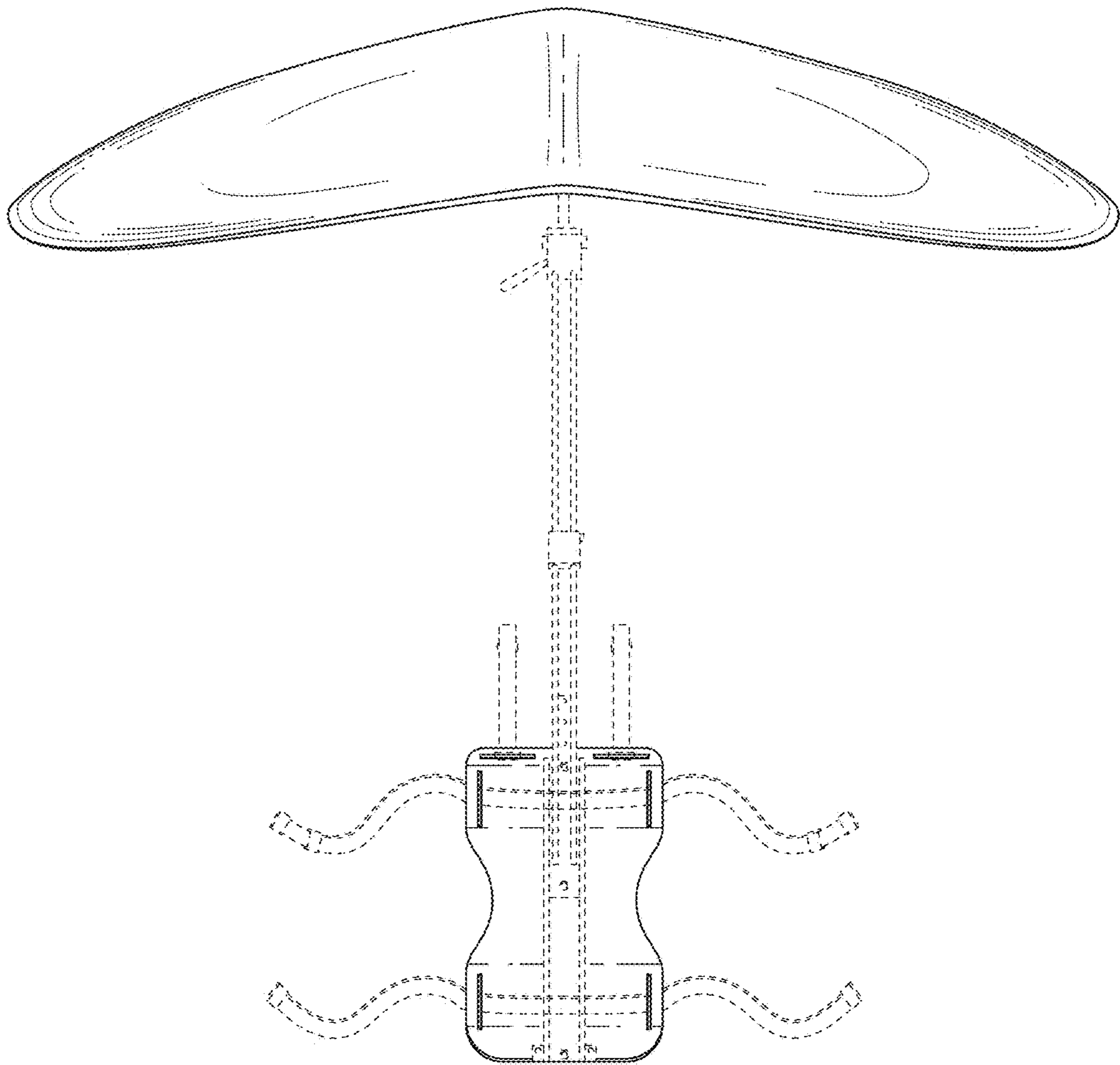


FIG. 3

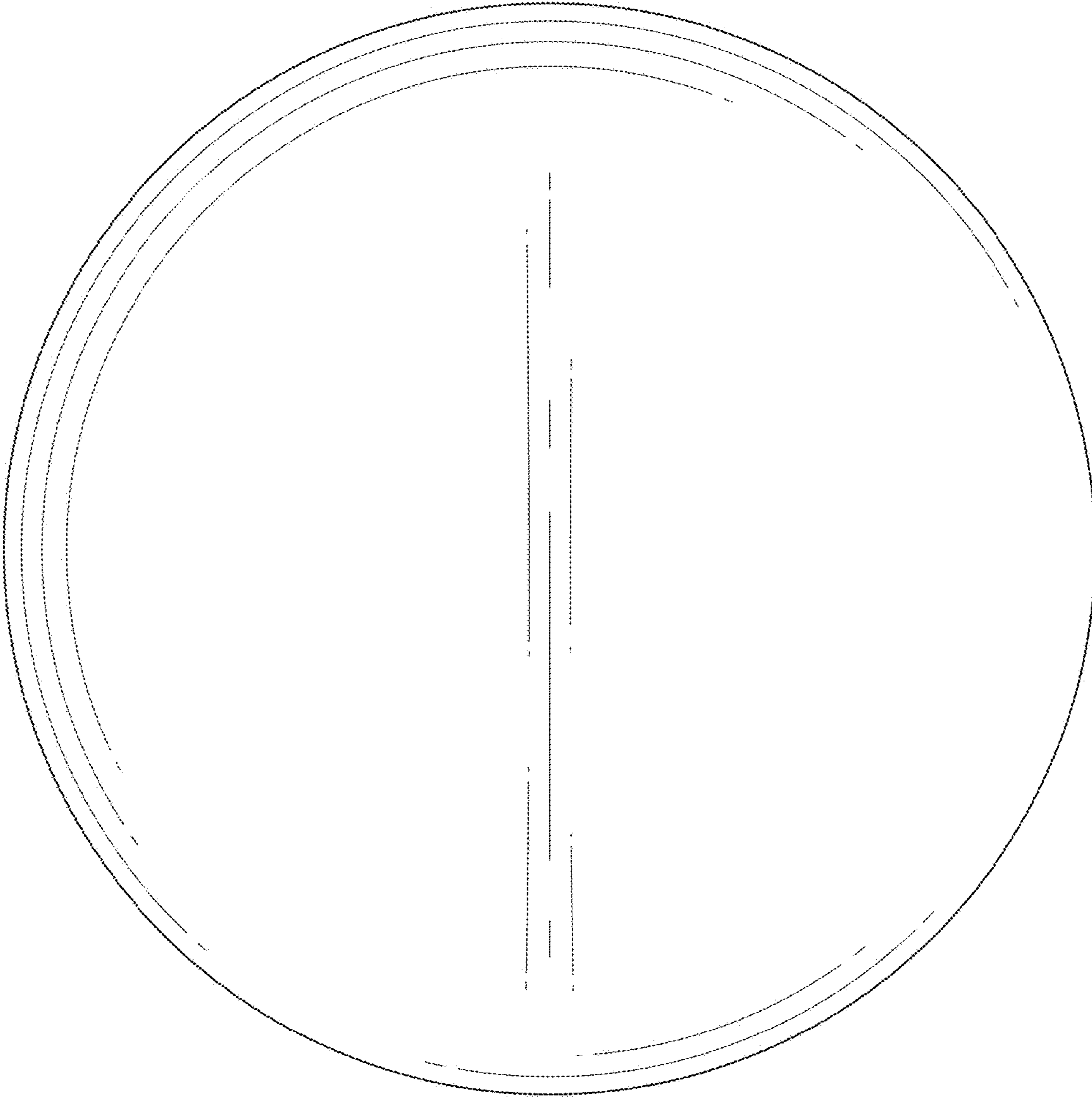


FIG. 4

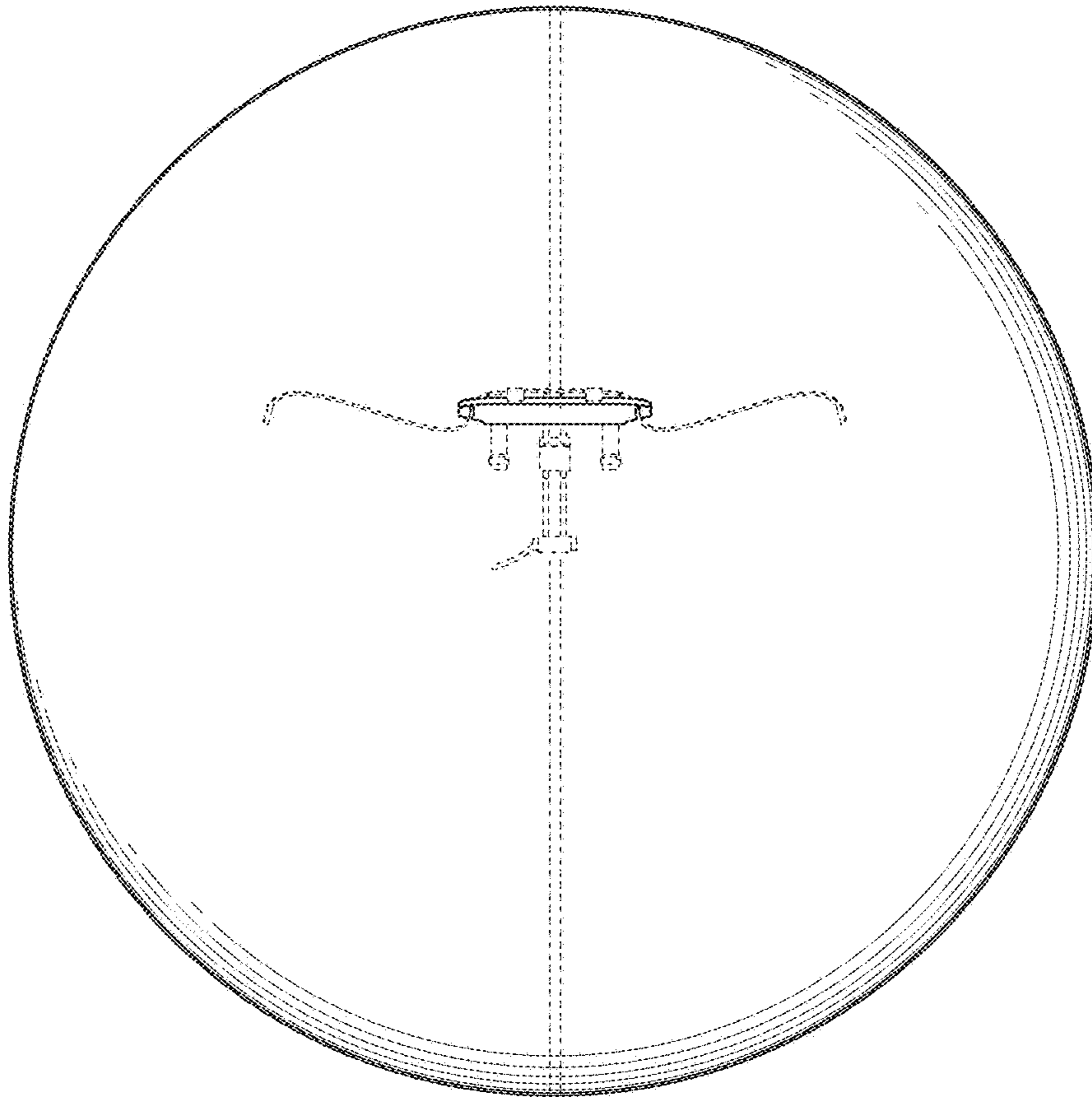


FIG. 5