



US00D791460S

(12) **United States Design Patent**  
**Desphy**

(10) **Patent No.:** **US D791,460 S**  
(45) **Date of Patent:** **\*\* Jul. 11, 2017**

- (54) **SHOE UPPER**
- (71) Applicant: **NIKE, Inc.**, Beaverton, OR (US)
- (72) Inventor: **Jupiter Desphy**, Beaverton, OR (US)
- (73) Assignee: **NIKE, Inc.**, Beaverton, OR (US)
- (\*\*) Term: **15 Years**
- (21) Appl. No.: **29/550,234**
- (22) Filed: **Dec. 31, 2015**
- (51) **LOC (10) Cl.** ..... **02-04**
- (52) **U.S. Cl.**  
USPC ..... **D2/972**
- (58) **Field of Classification Search**  
USPC ..... D2/972-974, 902, 906-912, 943-946,  
D2/969-972; D5/47, 54, 63  
CPC ... A43B 3/0047; A43B 3/0052; A43B 3/0057;  
A43B 3/0063; A43B 3/0068; A43B  
3/0073; A43B 1/04; A43B 1/06; A43B  
5/00; A43B 5/02; A43B 5/06; A43B 5/10;  
A43B 5/14; A43B 23/0245; A43B  
13/125; A43B 13/186; A43C 3/00; A43C  
7/06  
See application file for complete search history.

D754,425 S *	4/2016	Deas .....	D2/911
D766,564 S *	9/2016	Radabaugh .....	D2/970
D768,974 S *	10/2016	MacIntyre .....	D2/970

OTHER PUBLICATIONS

“Here Are the Official Images of the Riccardo Tisci x NikeLab Dunk Lux High,” Nike Dunk Lux High pictured therein, as posted at Complex.com [online], posted on Feb. 4, 2016 [site visited Feb. 27, 2017]. Available on the Internet, <URL: <http://www.complex.com/sneakers/2016/02/riccardo-tisci-nikelab-dunk-lux-high>>.\*  
 NikeLab Dunk Lux High, as posted at SneakerNew.com [online], posted on Feb. 6, 2015 [site visited Feb. 27, 2017]. Available on the Internet, <URL: <http://sneakernews.com/2015/02/06/nikelab-dunk-lux-high>>.\*  
 Nike X Undercover Dunk Sky Hi Collection [online], [retrieved Nov. 3, 2016], Retrieved from Internet <URL: <http://news.nike.com/news/nike-x-undercover-dunk-sky-hi-collection>>; 13 color sheets, Dated Oct. 20, 2014.

(Continued)

*Primary Examiner* — Jeffrey D Asch  
*Assistant Examiner* — Rebekah A Caruso  
 (74) *Attorney, Agent, or Firm* — Banner & Witcoff, Ltd.

(57) **CLAIM**  
 The ornamental design for a shoe upper, as shown and described.

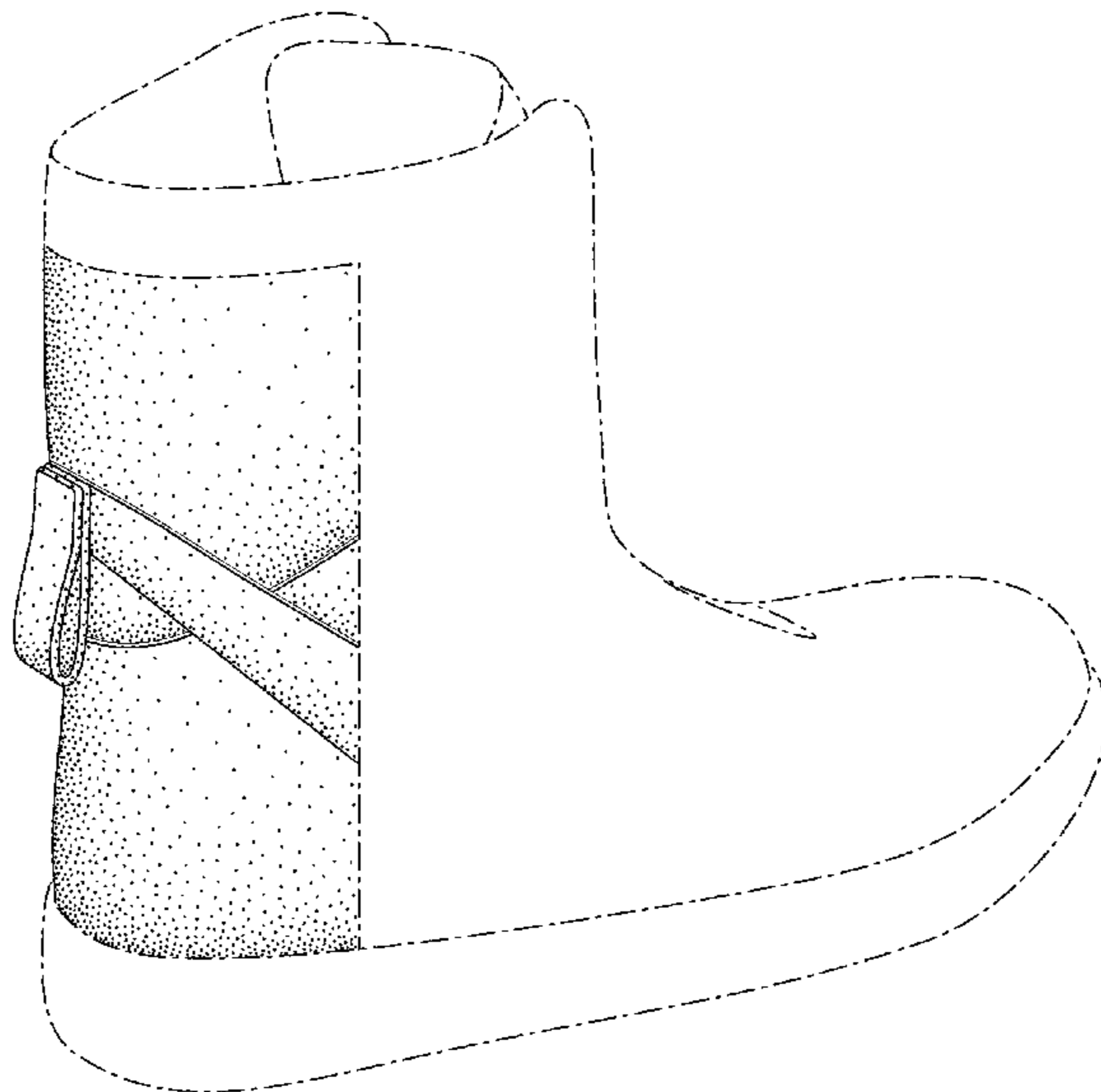
**DESCRIPTION**

FIG. 1 is a first side view of a shoe upper showing my new design;  
 FIG. 2 is a first rear perspective view thereof;  
 FIG. 3 is a rear view thereof; and,  
 FIG. 4 is a second rear perspective view thereof.  
 The broken lines immediately adjacent to the shaded area define the bounds of the claimed design, and form no part thereof. The broken lines showing the remainder of the shoe are for environmental purposes only and form no part of the claimed design.

**1 Claim, 4 Drawing Sheets**

- (56) **References Cited**  
 U.S. PATENT DOCUMENTS  

D547,046 S *	7/2007	Belley .....	D2/970
D569,090 S *	5/2008	Uratsu .....	D2/970
D600,903 S *	9/2009	Belley .....	D2/970
D641,147 S *	7/2011	Adams .....	D2/910
D646,876 S *	10/2011	Roldan .....	D2/912
D677,871 S *	3/2013	Portzline .....	D2/911
D704,425 S *	5/2014	MacIntyre .....	D2/970
D704,426 S *	5/2014	Dillenbeck .....	D2/970
D738,604 S *	9/2015	Deas .....	D2/911
D740,535 S *	10/2015	Joseph .....	D2/970
D740,536 S *	10/2015	Rickmon-Swan .....	D2/970



(56)

**References Cited**

OTHER PUBLICATIONS

Nike Dunk High Coffin Halloween Heat Continues [online], [retrieved Nov. 3, 2016], Retrieved from Internet <URL: <http://www.nikeblog.com/2015/10/28/nike-dunk-high-coffin-halloween-heat-continues/>>; 3 color sheets, Dated Oct. 28, 2015.

\* cited by examiner

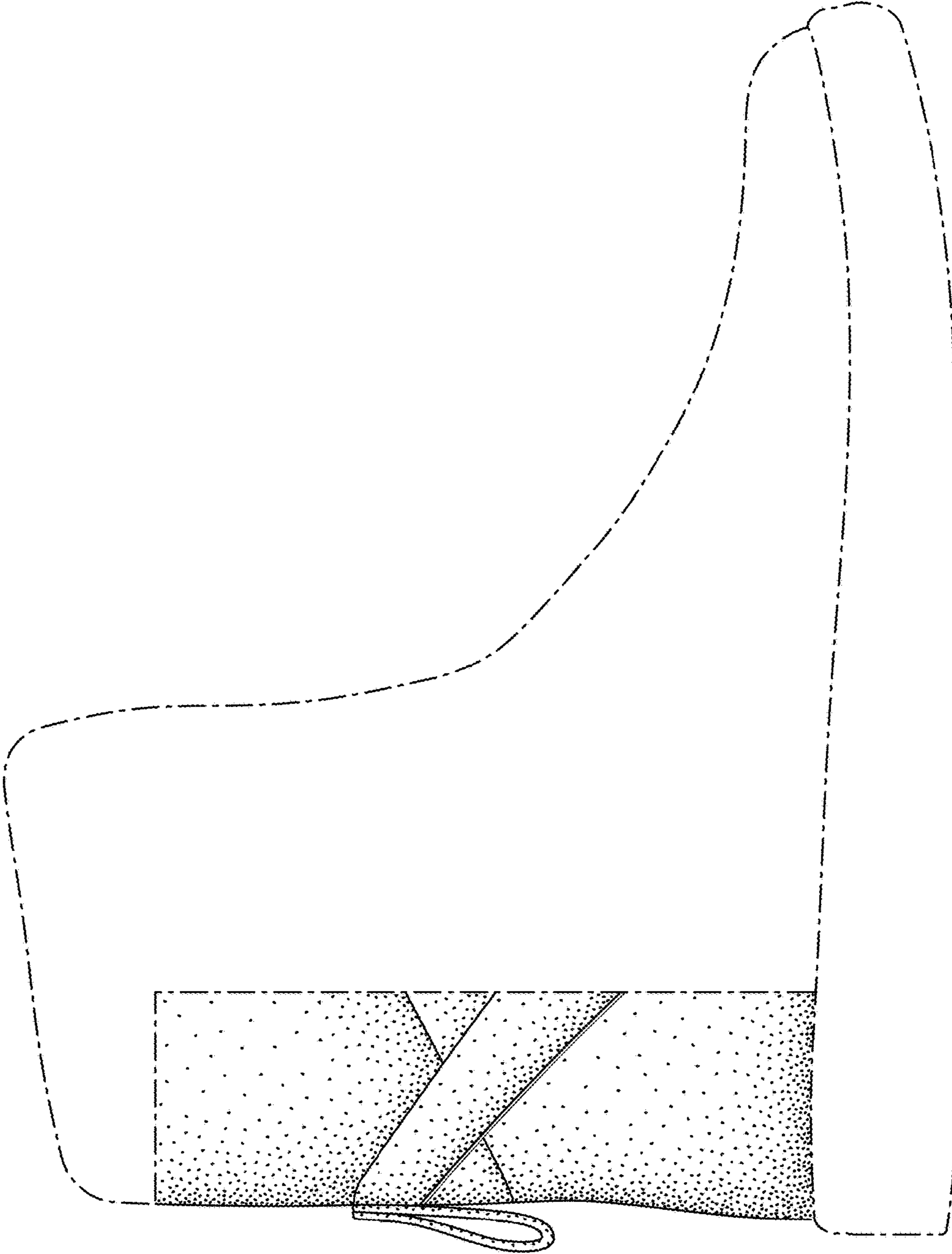


FIG. 1

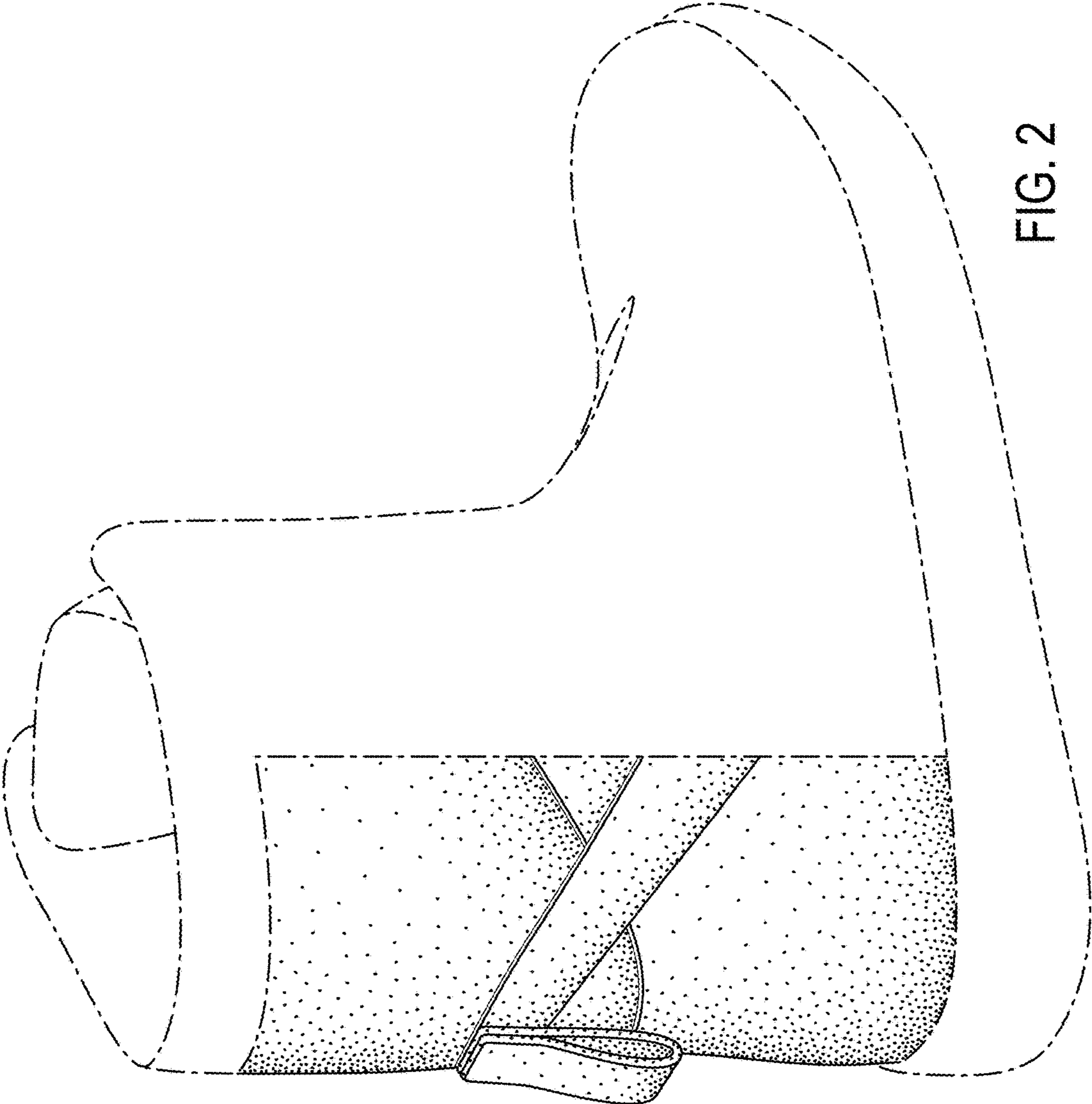


FIG. 2

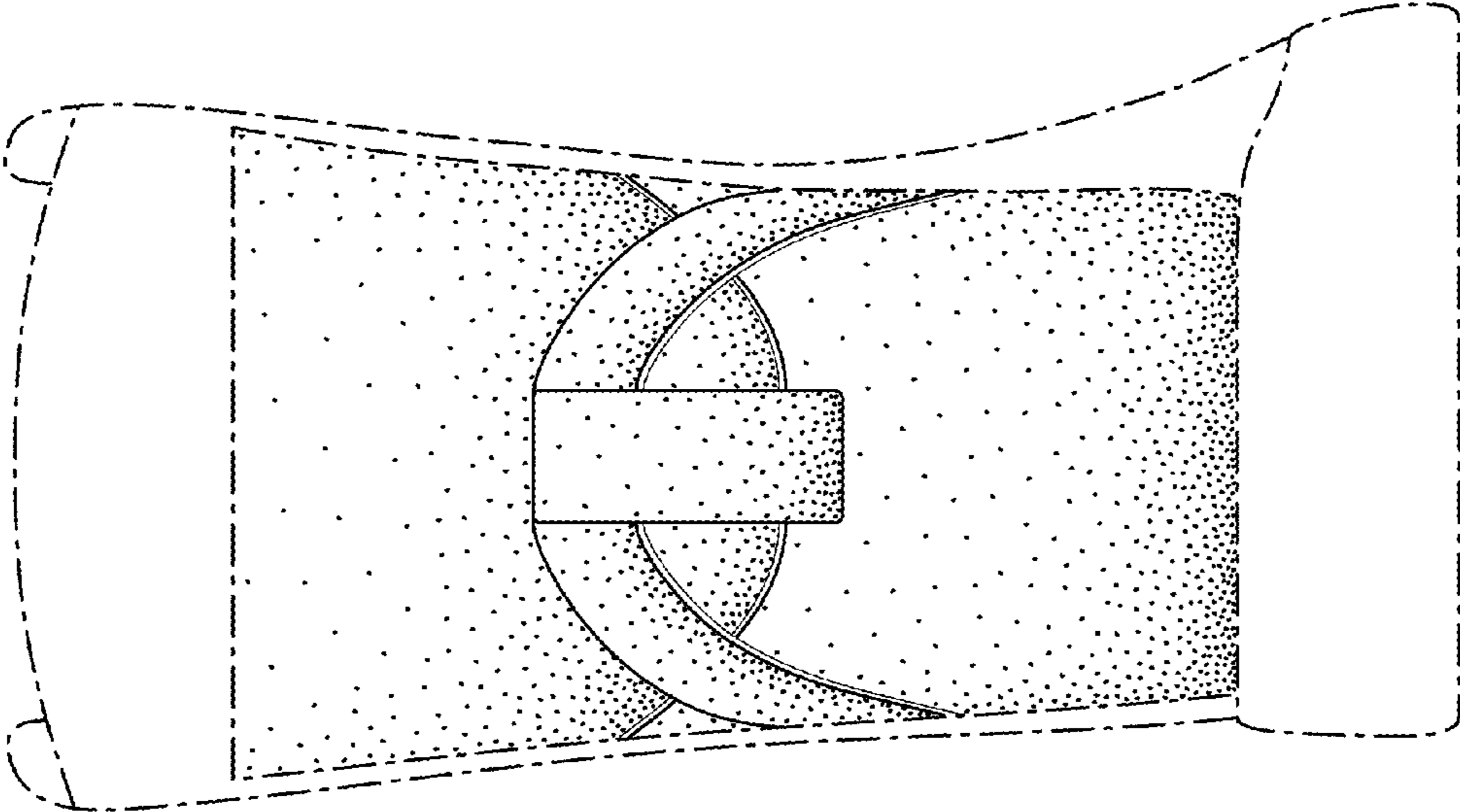


FIG. 3

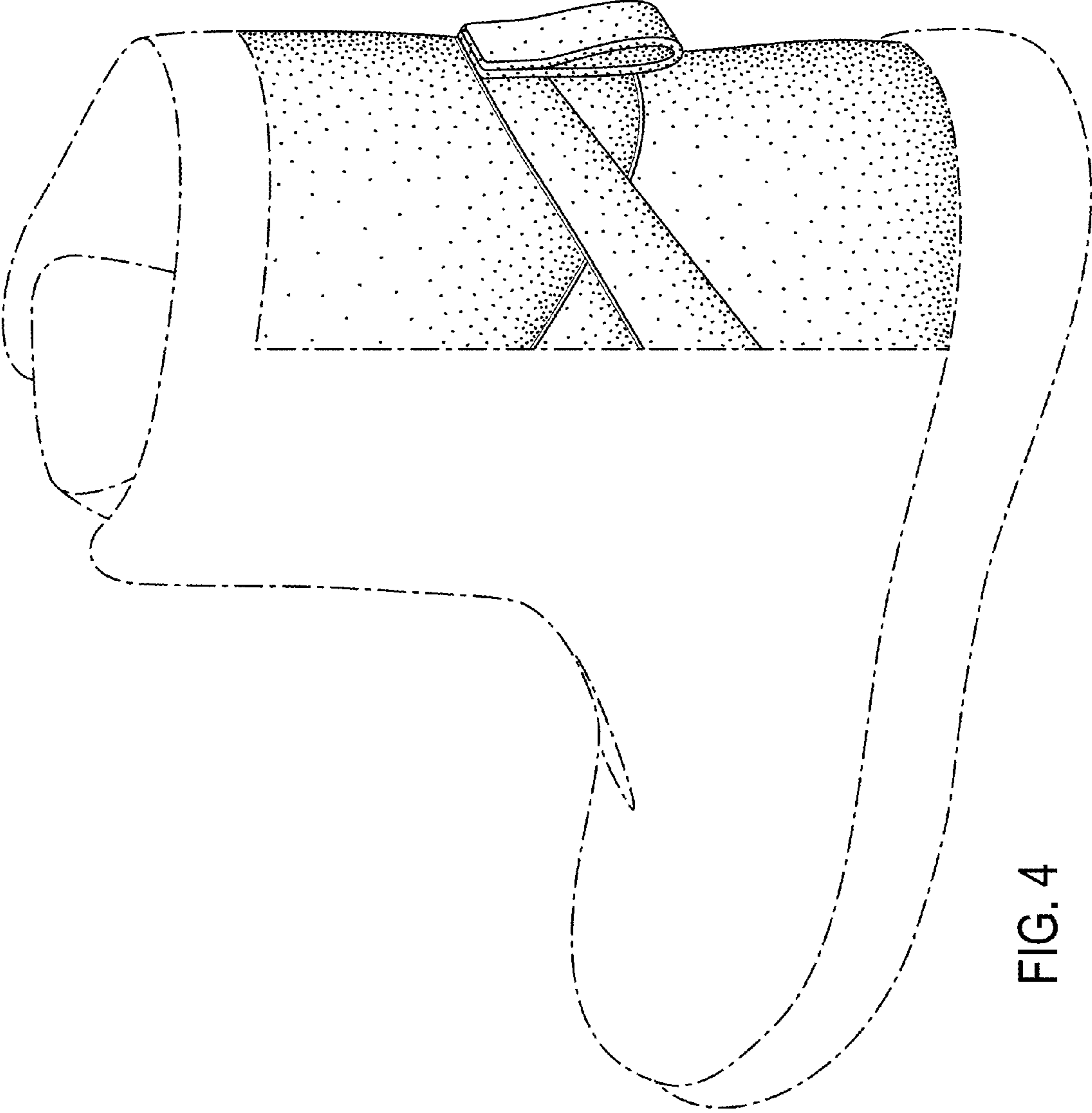


FIG. 4