



US00D791459S

(12) **United States Design Patent** (10) **Patent No.:** **US D791,459 S**  
**Casadei** (45) **Date of Patent:** **\*\* Jul. 11, 2017**

(54) **FOOTWEAR**  
(71) Applicant: **J. Choo Limited**, London (GB)  
(72) Inventor: **Alfredo Casadei**, London (GB)  
(73) Assignee: **J. Choo Limited**, London (GB)  
(\*\*) Term: **15 Years**

D544,191 S 6/2007 Choi  
D632,470 S \* 2/2011 Guers-Neyraud ..... D2/929  
D634,105 S \* 3/2011 Cheshire ..... D2/925  
D735,459 S \* 8/2015 Choi ..... D2/971  
D736,504 S \* 8/2015 Guers-Neyraud ..... D2/925  
D750,359 S \* 3/2016 Osorio ..... D2/929  
D782,172 S \* 3/2017 Spring ..... D2/971

(21) Appl. No.: **29/561,739**  
(22) Filed: **Apr. 19, 2016**

(30) **Foreign Application Priority Data**

Nov. 5, 2015 (EM) ..... 002847913-0005  
Nov. 5, 2015 (EM) ..... 002847913-0006

(51) **LOC (10) Cl.** ..... **02-04**  
(52) **U.S. Cl.**  
USPC ..... **D2/971**

(58) **Field of Classification Search**  
USPC ..... D2/965, 919, 921, 896, 916-918,  
D2/925-942, 946, 968-969, 970-971  
CPC ..... A43B 21/00; A43B 21/02; A43B 21/06;  
A43B 1/0036; A43B 1/0045; A43B 9/14;  
A43B 13/10; A43B 13/12; A43B 23/06;  
A43B 23/07; A43B 5/12  
See application file for complete search history.

(56) **References Cited**

**U.S. PATENT DOCUMENTS**

D86,058 S \* 1/1932 Riddock ..... 36/11.5  
D87,016 S \* 5/1932 Meyer ..... 36/11.5  
D93,196 S \* 9/1934 Benjamin ..... D2/931  
D94,348 S 1/1935 Heilbrunn  
D94,638 S \* 2/1935 Stritter ..... 36/11.5  
D95,097 S \* 4/1935 Weidner ..... D2/971  
D135,155 S 3/1943 Huff

**OTHER PUBLICATIONS**

“Maximize Your Footwear’s Impact with Multi Colored Rope Sandals,” Jimmy Choo Halley Sandal posted therein, as posted at YourNextShoes.com [online], posted on Mar. 4, 2016, [site visited May 9, 2017]. Available on the Internet, <URL: <http://www.yournextshoes.com/2016/03/multicolor-rope-sandals/>>.\*

\* cited by examiner

*Primary Examiner* — Jeffrey D Asch

*Assistant Examiner* — Rebekah A Caruso

(74) *Attorney, Agent, or Firm* — Fross Zelnick Lehrman & Zissu, P.C.; Lawrence E. Apolzon, Esq.

(57) **CLAIM**

The ornamental design for footwear, as shown and described.

**DESCRIPTION**

FIG. 1 is a front perspective view of footwear showing my new design;  
FIG. 2 is a right side view of the footwear shown in FIG. 1;  
FIG. 3 is a left side view of the footwear shown in FIG. 1;  
FIG. 4 is a front view of the footwear shown in FIG. 1;  
FIG. 5 is a rear view of the footwear shown in FIG. 1; and,  
FIG. 6 is a top view of the footwear shown in FIG. 1.  
The broken line showing of the heel, sole, and footbed in the drawings depicts portions of the footwear that form no part of the claimed design.

**1 Claim, 6 Drawing Sheets**

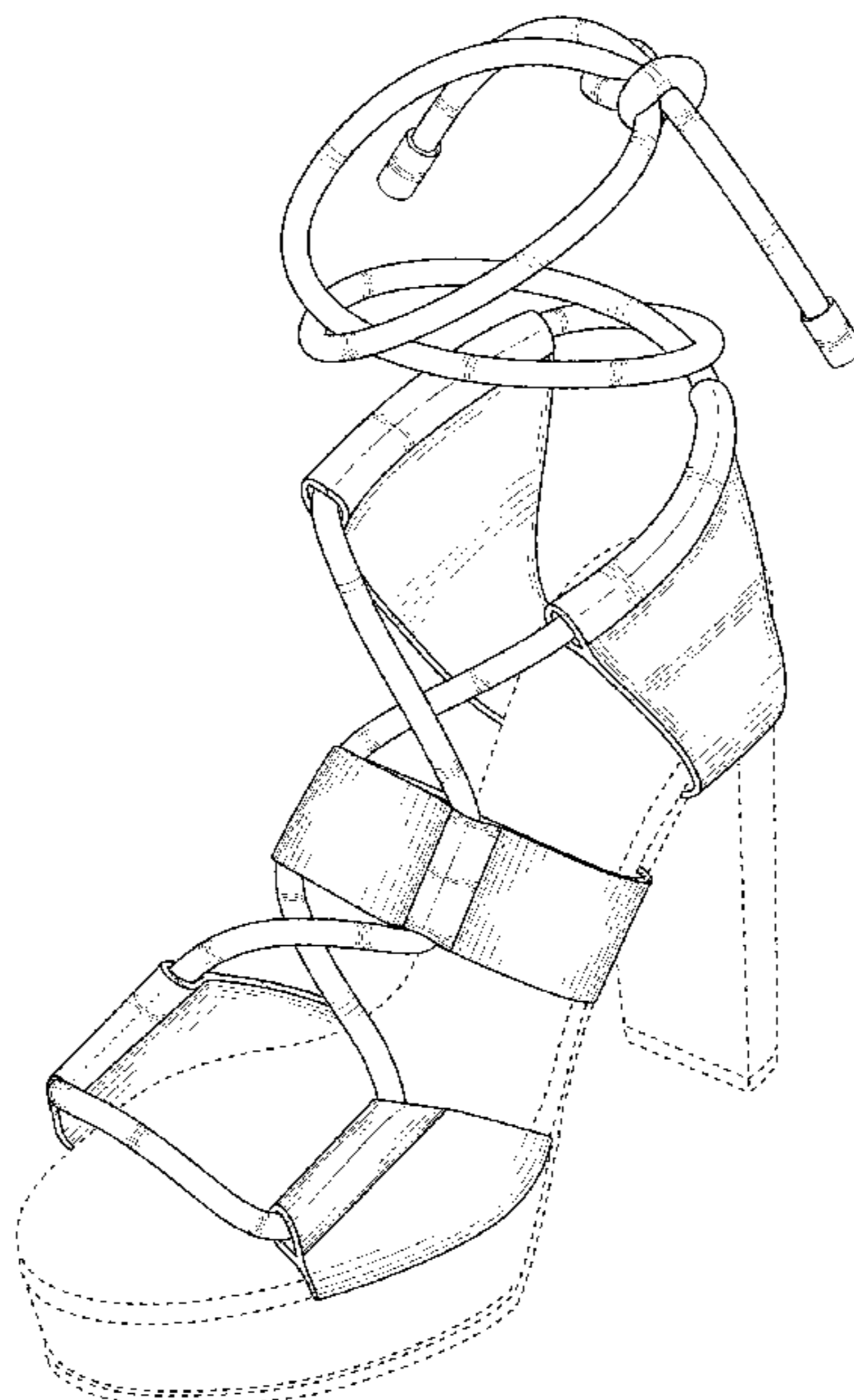




FIG. 1

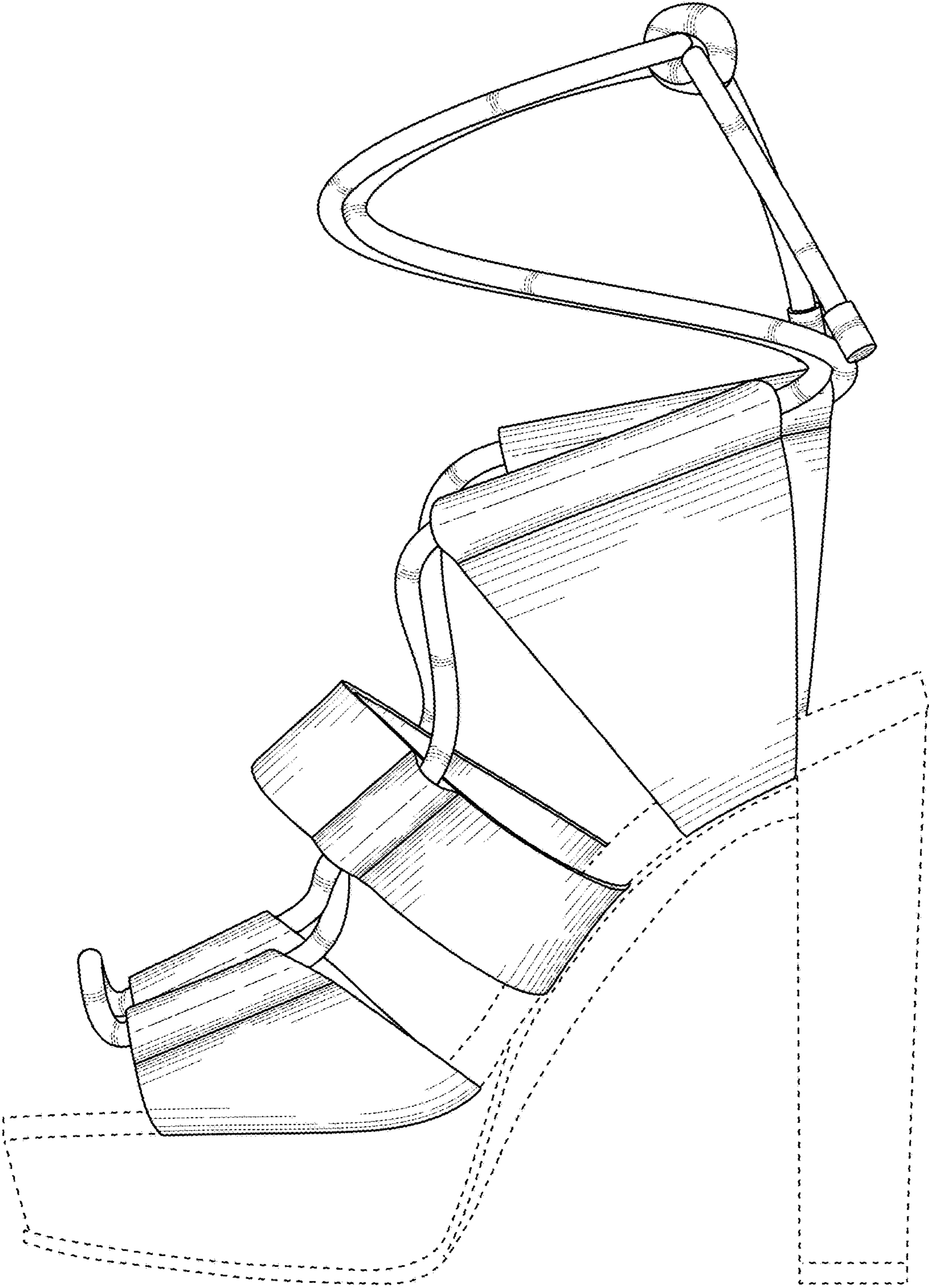


FIG. 2

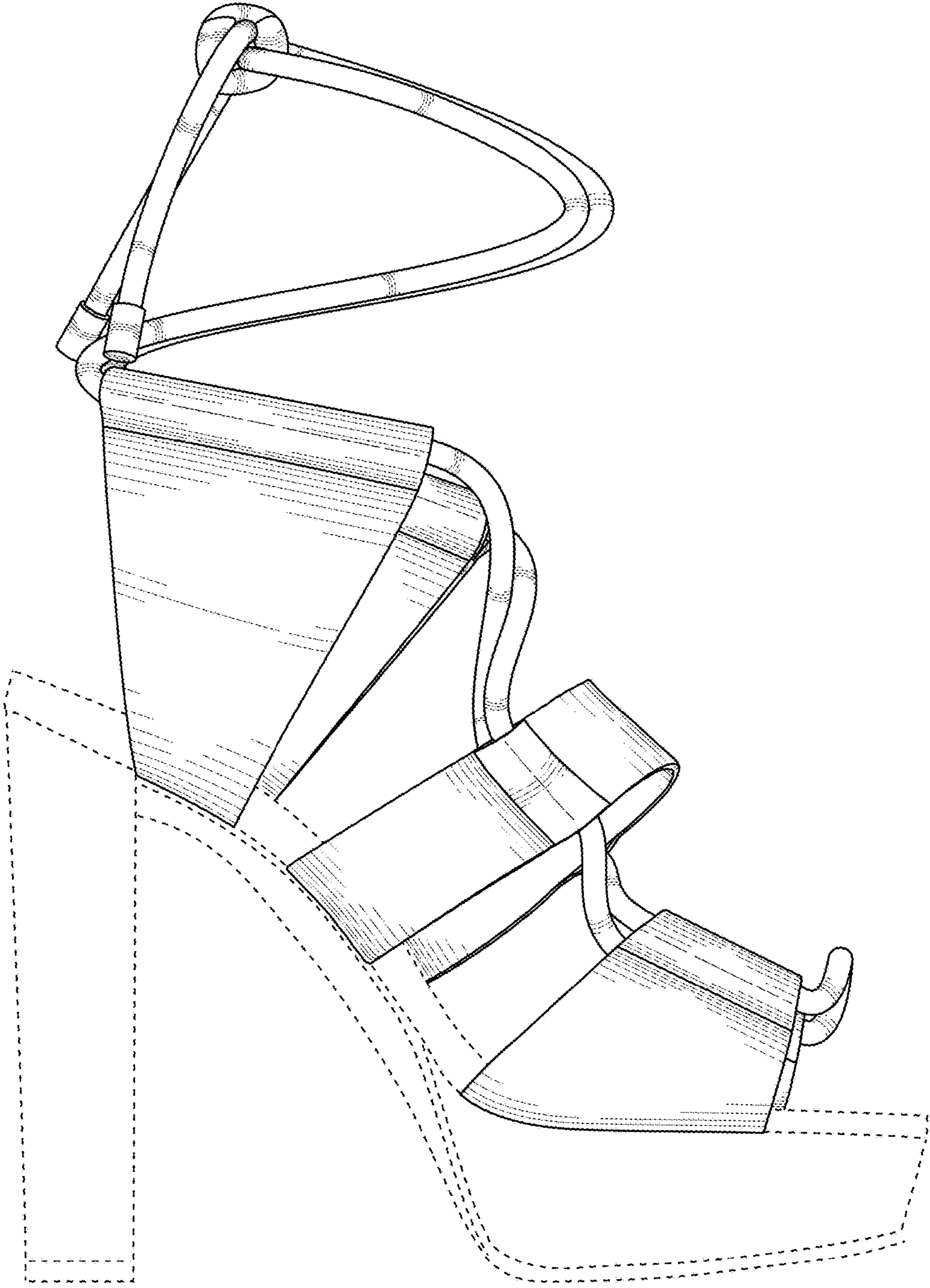


FIG. 3

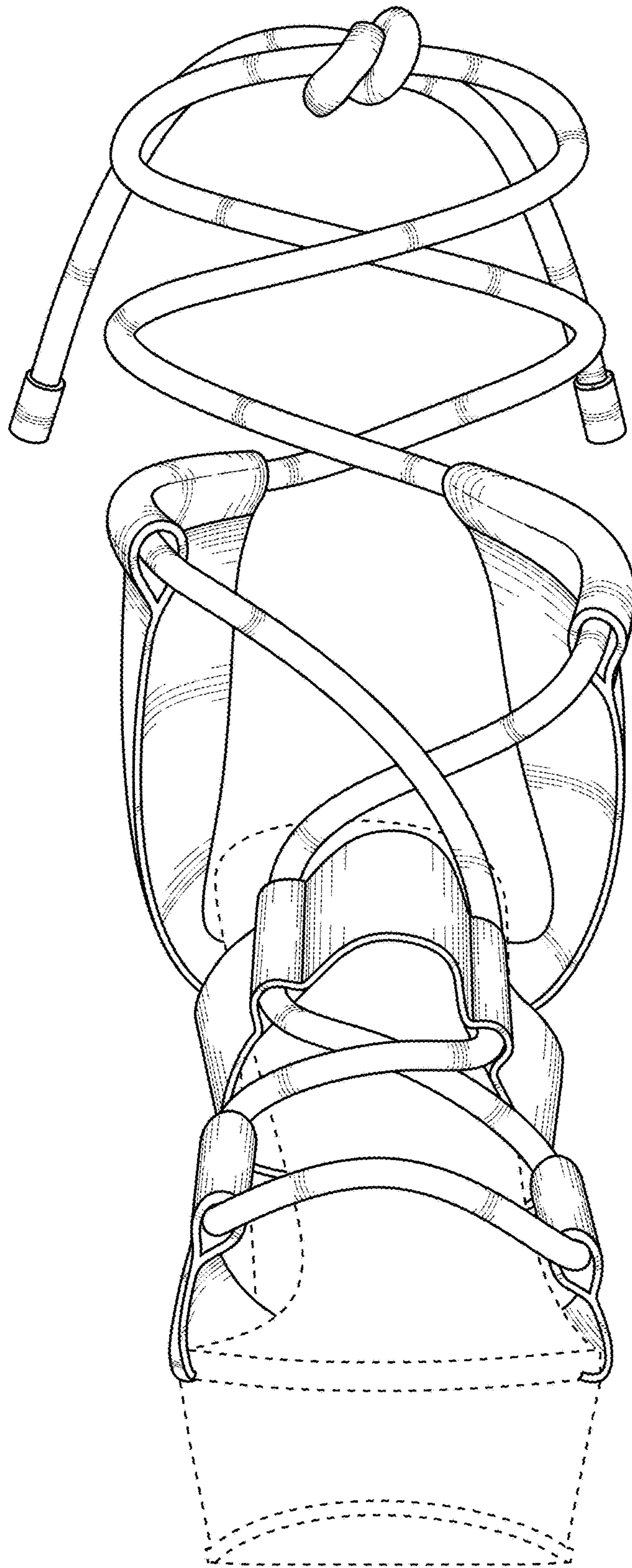


FIG. 4

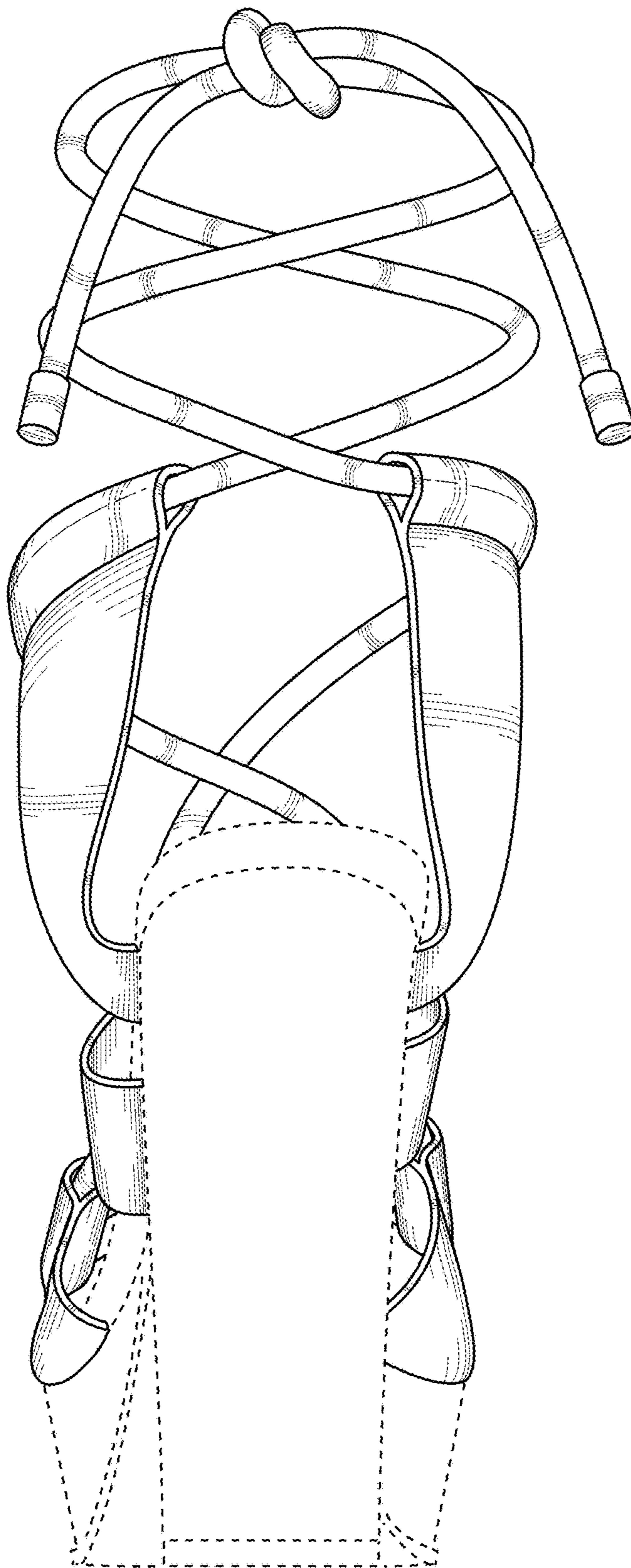


FIG. 5

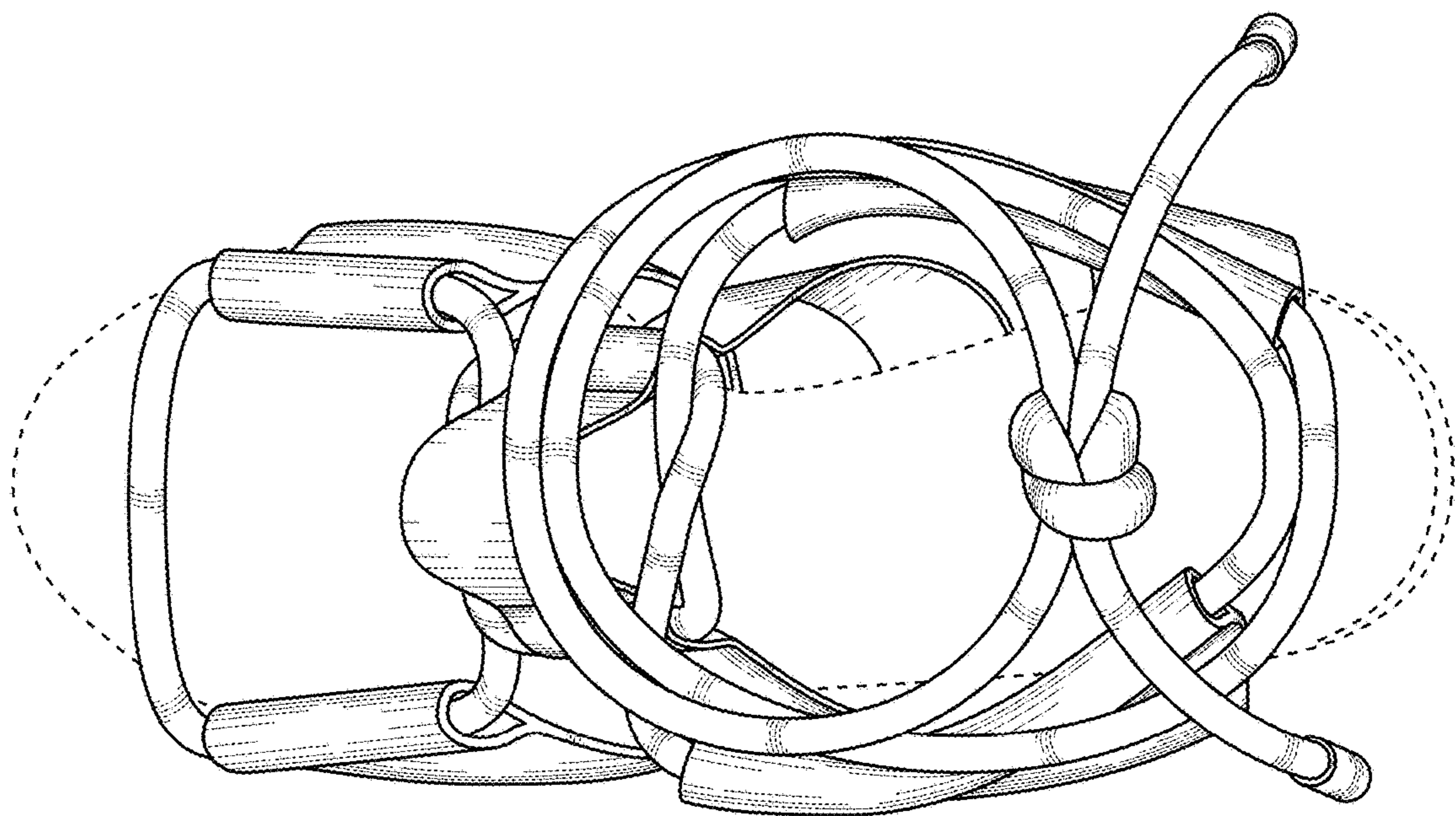


FIG. 6