

US00D791451S

(12) **United States Design Patent**
Vakili

(10) **Patent No.:** **US D791,451 S**
(45) **Date of Patent:** **** Jul. 11, 2017**

(54) **SLIPPER**

(71) Applicant: **V-Can Import/Export Ltd.**, Concord (CA)

(72) Inventor: **Ali Vakili**, Concord (CA)

(**) Term: **14 Years**

(21) Appl. No.: **29/503,747**

(22) Filed: **Sep. 29, 2014**

(51) **LOC (10) Cl.** **02-04**

(52) **U.S. Cl.**
USPC **D2/920; D2/980**

(58) **Field of Classification Search**
USPC D2/896, 900, 903, 909-911, 919, 969,
D2/970, 972; 36/45, 50.1, 83, 113, 114,
36/127, 1.7 R, 47.3, 81, 9 R, 7.3, 7.1 R;
D24/192

See application file for complete search history.

(56) **References Cited**

U.S. PATENT DOCUMENTS

2,433,834	A *	1/1948	Bazett et al.	2/158
3,694,940	A *	10/1972	Stohr	36/10
4,204,345	A *	5/1980	Bradley	36/97
D290,303	S *	6/1987	Womack	D2/910
5,144,759	A *	9/1992	Mascotte	36/7.1 R

D350,014	S *	8/1994	Ivanyshyn	D2/910
D368,792	S *	4/1996	Cavitt et al.	D2/910
D370,115	S *	5/1996	Ballou	D2/911
D404,189	S *	1/1999	Watson	D2/910
D478,718	S *	8/2003	Northcraft	D2/980
D615,283	S *	5/2010	Penders et al.	D2/910
D618,889	S *	7/2010	Jones	D2/909
D694,496	S *	12/2013	Gordon	D2/943
D709,271	S *	7/2014	Levy	D2/919

* cited by examiner

Primary Examiner — Holly Baynham

Assistant Examiner — Rashida C Walshon

(74) *Attorney, Agent, or Firm* — Garrett James O'Sullivan

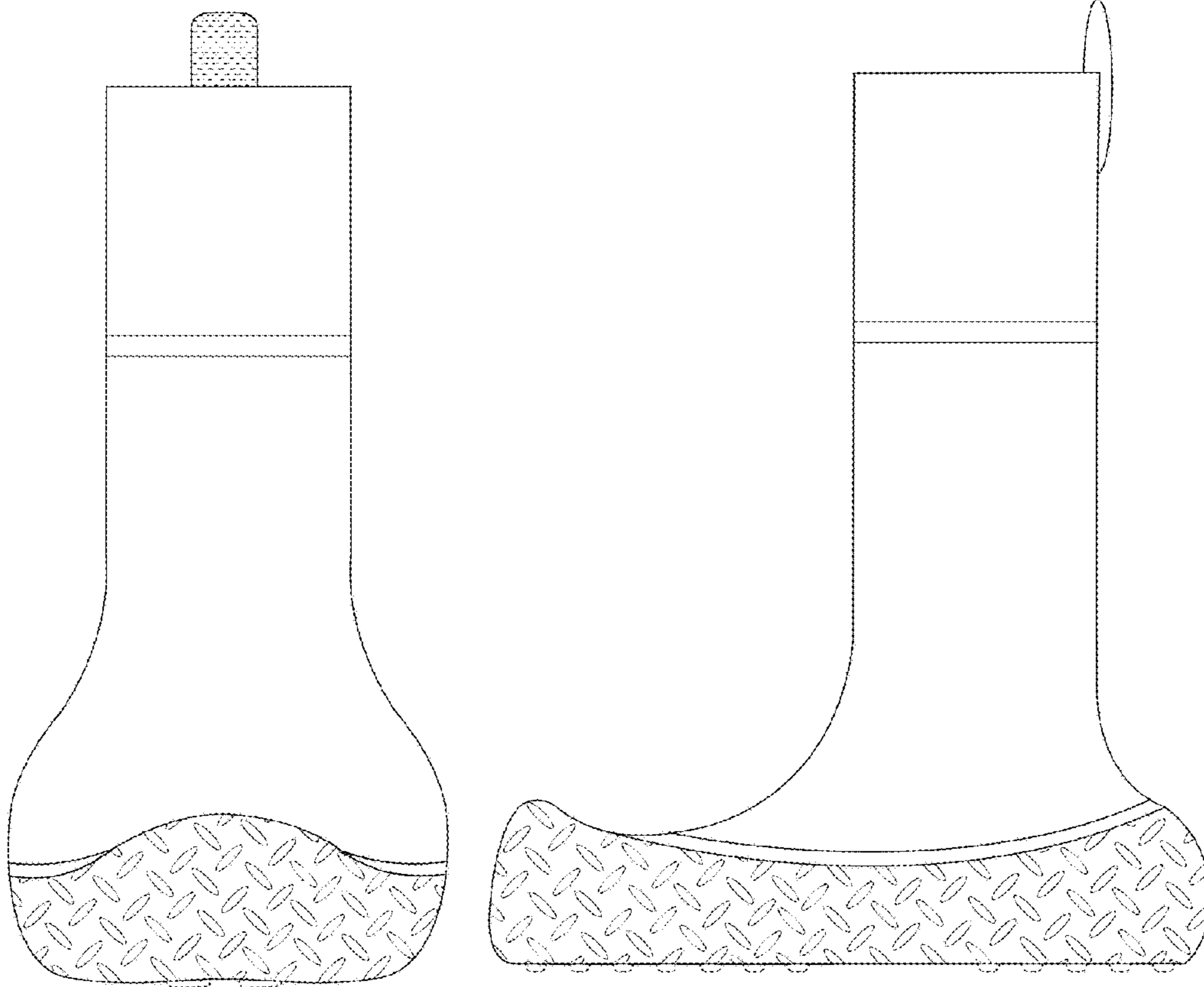
(57) **CLAIM**

The ornamental design for a slipper, as shown and described.

DESCRIPTION

FIG. 1 is a front elevation view of a slipper;
 FIG. 2 is a rear elevation view of the slipper of FIG. 1;
 FIG. 3 is a left side elevation view of the slipper of FIG. 1;
 FIG. 4 is a right side elevation view of the slipper of FIG. 1;
 FIG. 5 is a top plan view of the slipper of FIG. 1; and,
 FIG. 6 is a bottom plan view of the slipper of FIG. 1.
 The broken lines as shown in FIGS. 1-4 are for the purpose of illustrating a tread pattern on the soles of the slipper and forms no part of the claimed design.

1 Claim, 4 Drawing Sheets



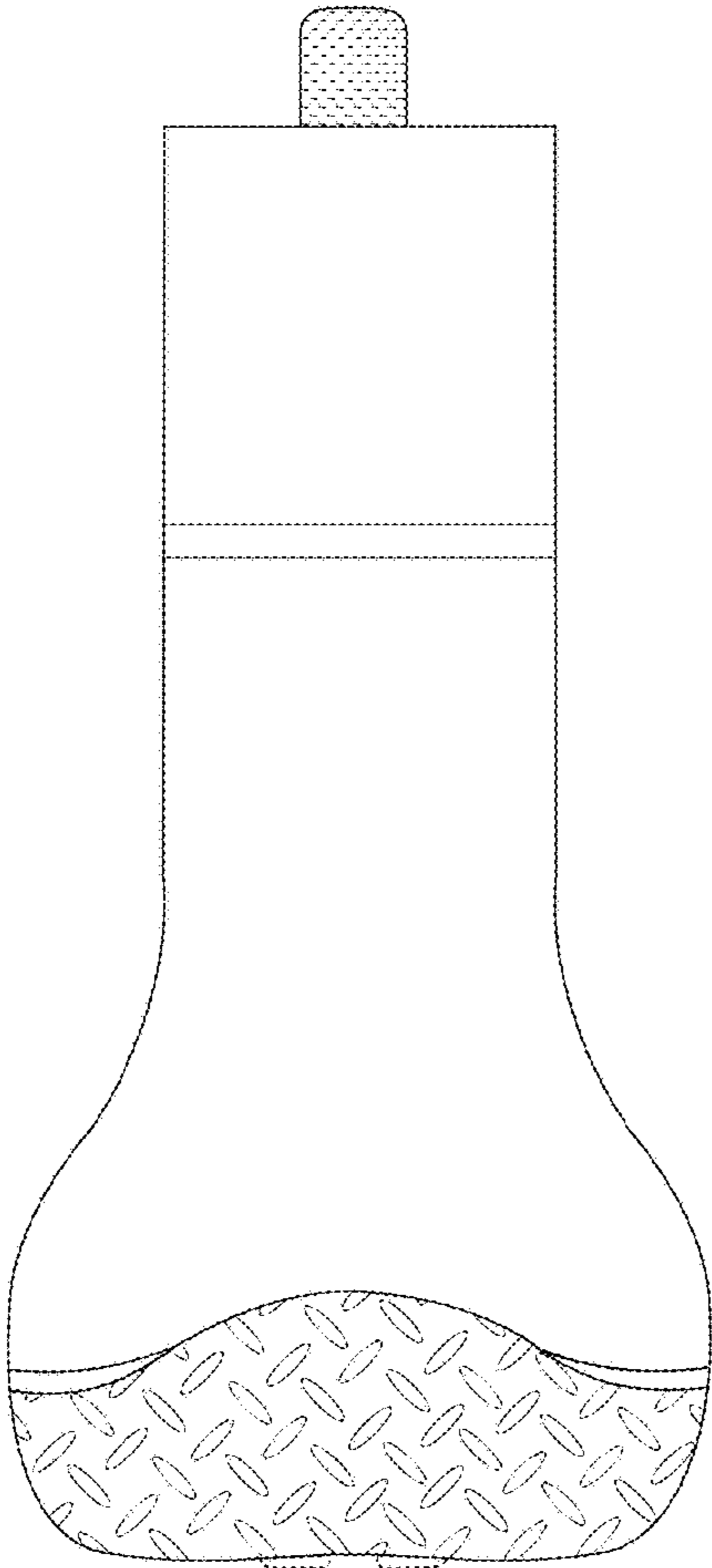


FIG. 1

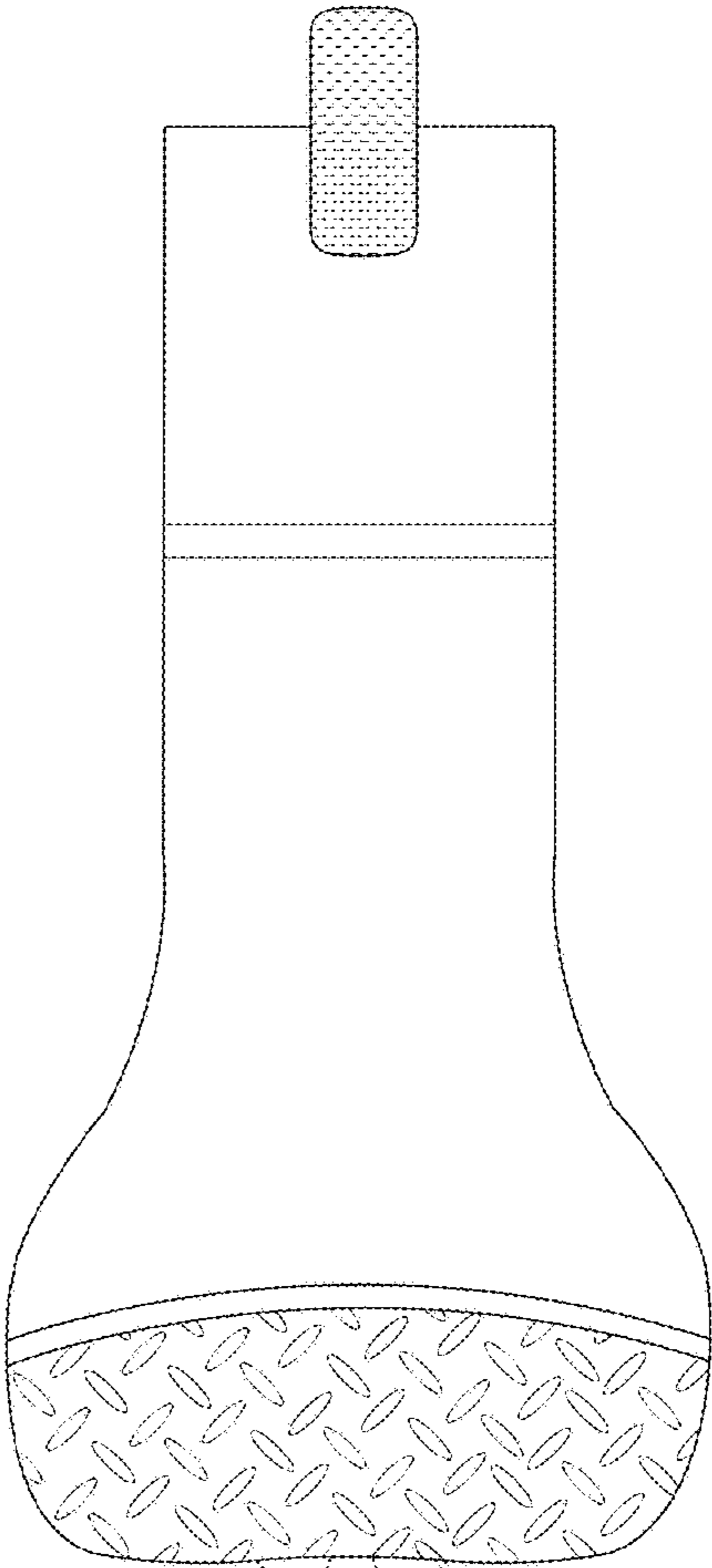


FIG. 2

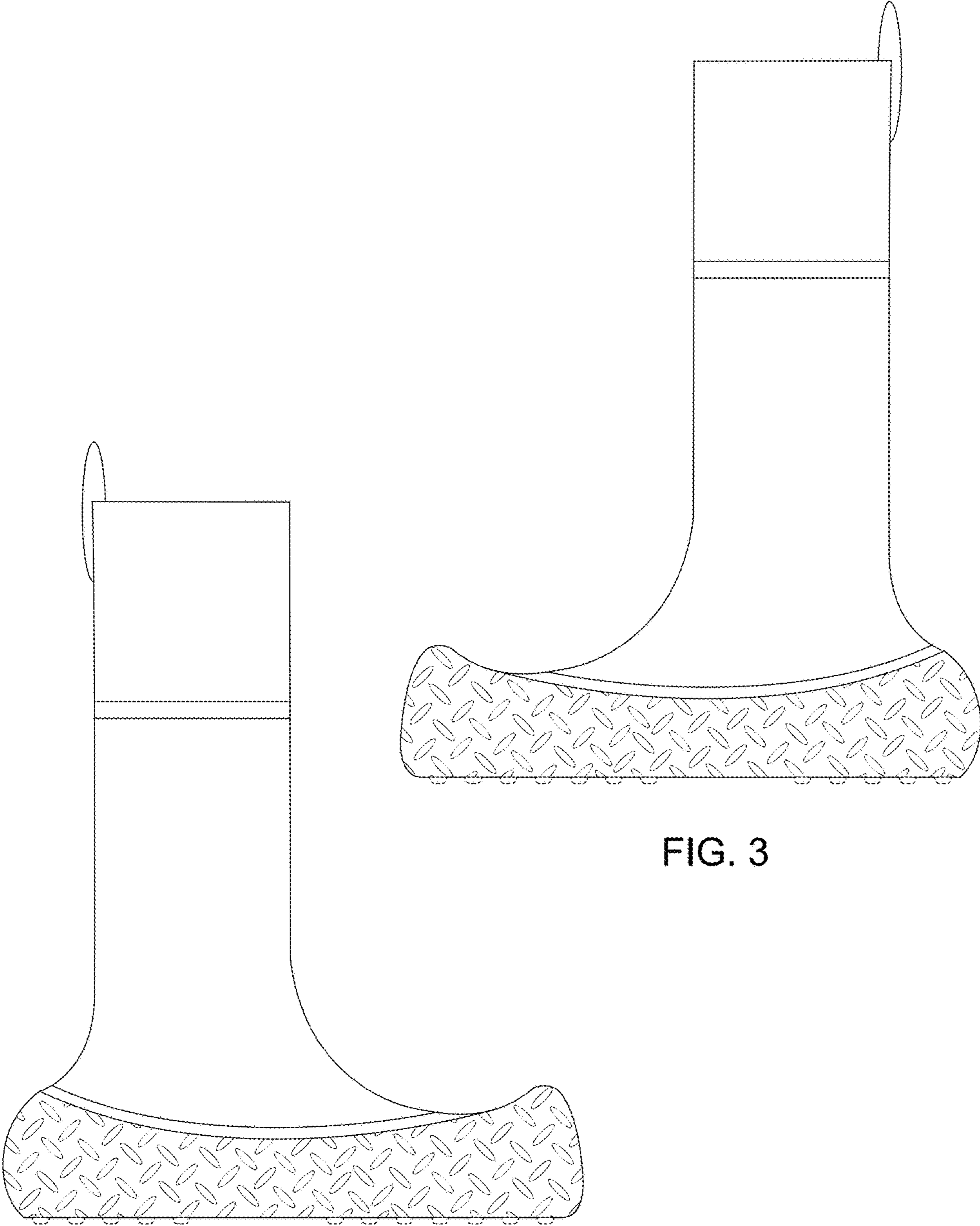


FIG. 3

FIG. 4

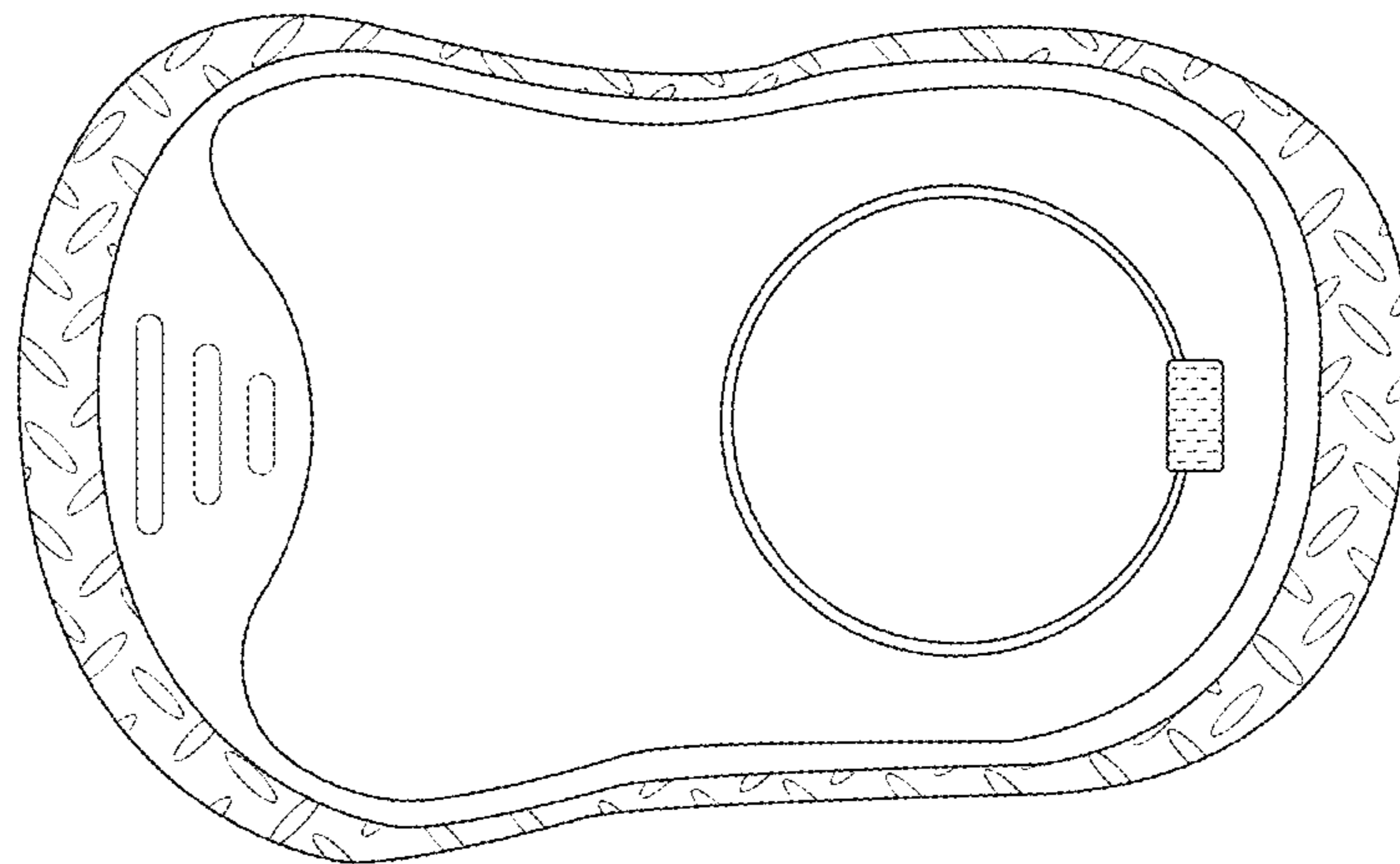


FIG. 5

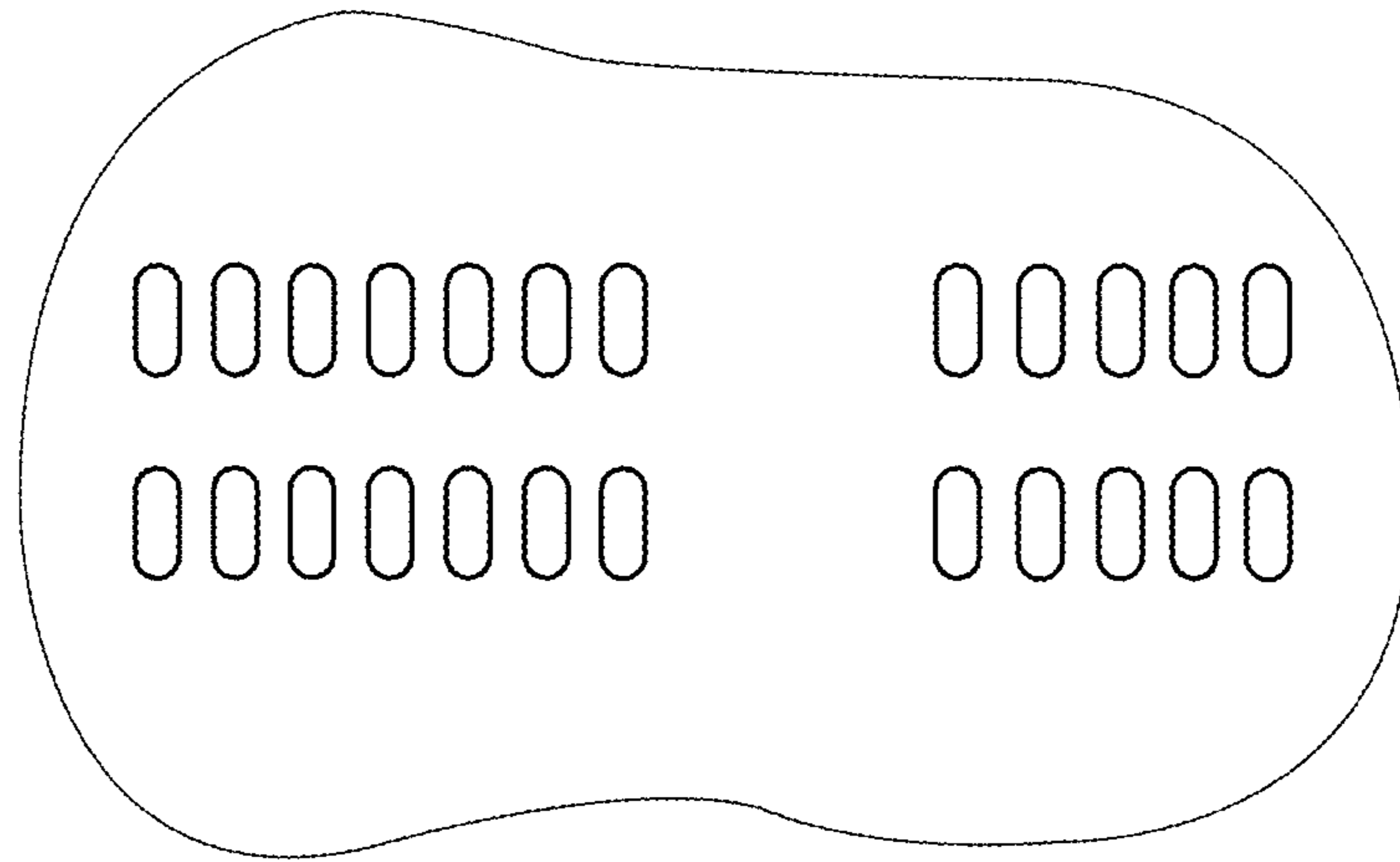


FIG. 6