



US00D791449S

(12) **United States Design Patent**  
**Hernandez**

(10) **Patent No.:** **US D791,449 S**  
(45) **Date of Patent:** **\*\* Jul. 11, 2017**

- (54) **HAT**
- (71) Applicant: **Leonardo Vazquez Hernandez**,  
Fullerton, CA (US)
- (72) Inventor: **Leonardo Vazquez Hernandez**,  
Fullerton, CA (US)
- (\*\*) Term: **15 Years**
- (21) Appl. No.: **29/575,080**
- (22) Filed: **Aug. 22, 2016**

**Related U.S. Application Data**

- (62) Division of application No. 29/495,386, filed on Jun. 30, 2014, now Pat. No. Des. 764,149.
- (51) **LOC (10) Cl.** ..... **02-03**
- (52) **U.S. Cl.**  
USPC ..... **D2/882**
- (58) **Field of Classification Search**  
None  
See application file for complete search history.

(56) **References Cited**

**U.S. PATENT DOCUMENTS**

- 317,677 A \* 5/1885 Sawyer ..... A42B 1/02  
2/175.1
- D128,810 S \* 8/1941 Stack et al. .... D2/888
- 2,834,019 A \* 5/1958 Cavanagh ..... A42B 1/02  
2/175.5
- 3,986,211 A \* 10/1976 Peham ..... A42B 1/02  
2/175.1
- D346,477 S \* 5/1994 Harmon ..... D2/882
- 6,230,330 B1 \* 5/2001 Steffy ..... A42B 1/02  
2/175.1
- D531,392 S \* 11/2006 Nathan ..... D2/893
- D535,459 S \* 1/2007 Cordes ..... D2/876

- D541,014 S \* 4/2007 Cordes ..... D2/882
- D568,583 S \* 5/2008 Niles ..... D2/882
- D578,740 S \* 10/2008 Schussleder ..... D2/882
- D604,930 S \* 12/2009 Denny ..... D2/887
- D606,287 S \* 12/2009 Denny ..... D2/887
- D637,378 S \* 5/2011 Cornwell ..... D2/887
- D661,060 S \* 6/2012 Eveleth ..... D2/882
- D661,063 S \* 6/2012 Eveleth ..... D2/882
- D661,064 S \* 6/2012 Eveleth ..... D2/882
- D702,928 S \* 4/2014 White ..... D2/882
- D711,990 S \* 8/2014 Roberts ..... D21/754
- D750,355 S \* 3/2016 Watkins ..... D2/886
- D764,149 S \* 8/2016 Vazquez Hernandez ..... D2/882
- D768,966 S \* 10/2016 Denny ..... D2/887
- 2006/0048272 A1 \* 3/2006 Tison ..... A42B 1/02  
2/175.1
- 2016/0157548 A1 \* 6/2016 Copeland ..... A42B 1/02  
2/425
- 2016/0286882 A1 \* 10/2016 Macias ..... A42B 1/206

\* cited by examiner

*Primary Examiner* — Karen E. Eldridge Powers  
*Assistant Examiner* — Kimberly Barnes  
(74) *Attorney, Agent, or Firm* — Jeffer Mangels Butler & Mitchell LLP; Brennan C. Swain, Esq.

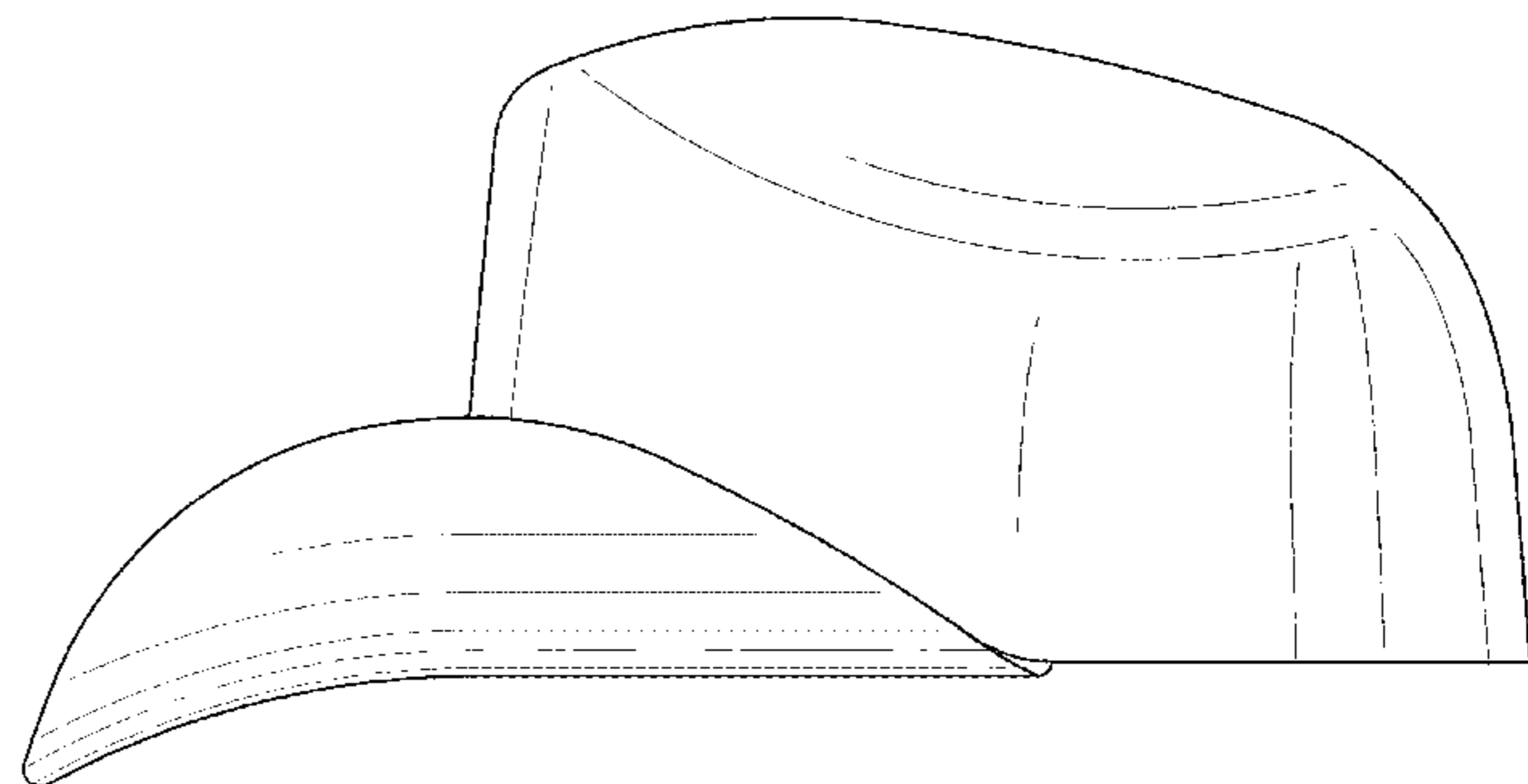
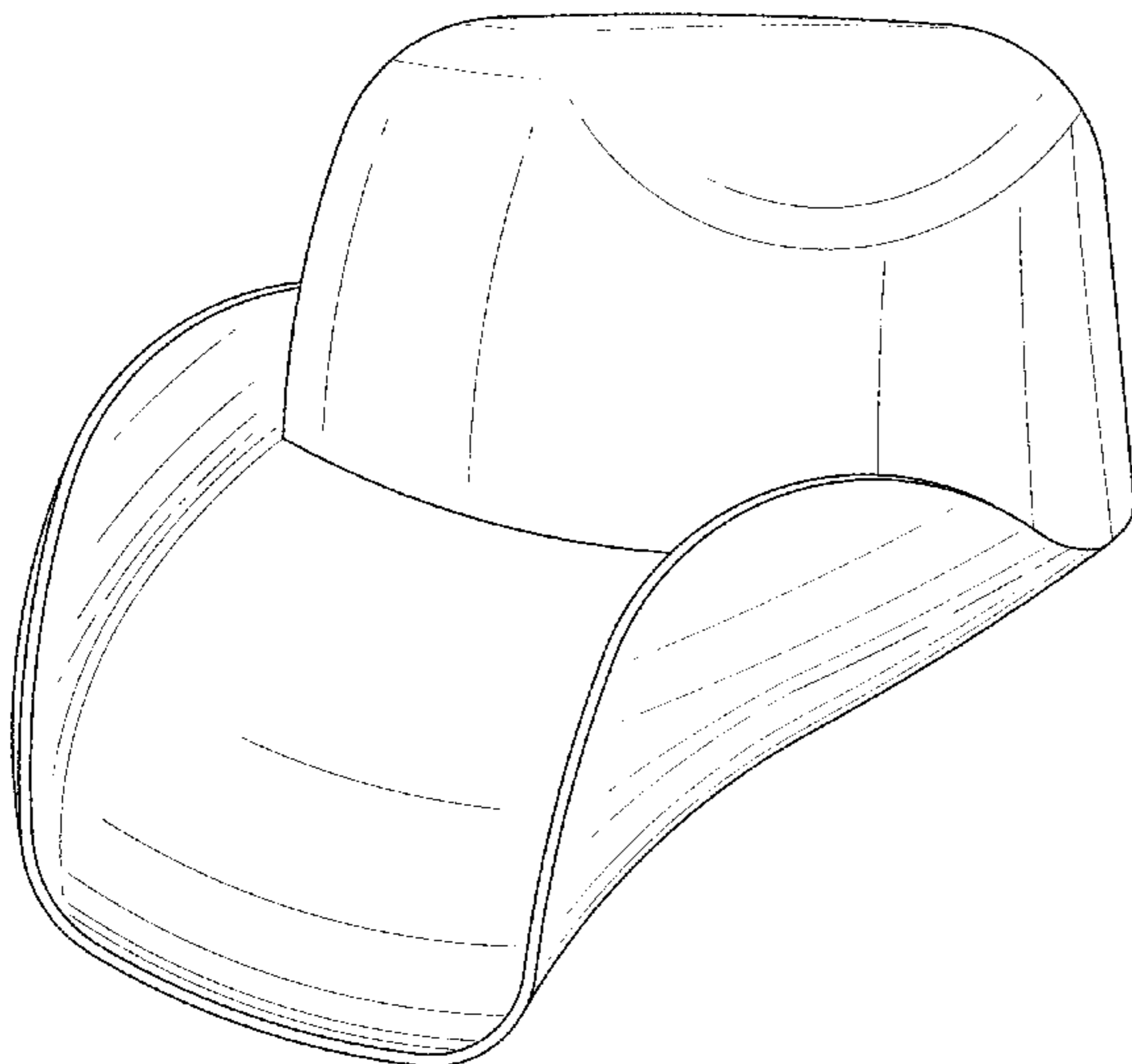
(57) **CLAIM**

The ornamental design for a hat, as shown and described.

**DESCRIPTION**

FIG. 1 is a perspective view of the present invention; FIG. 2 is a front elevational view of the present invention; FIG. 3 is a right side elevational view of the present invention, the left side elevational view being a mirror image thereof; FIG. 4 is a rear elevational view of the present invention; FIG. 5 is a top plan view of the present invention; and, FIG. 6 is a bottom plan view of the present invention.

**1 Claim, 6 Drawing Sheets**



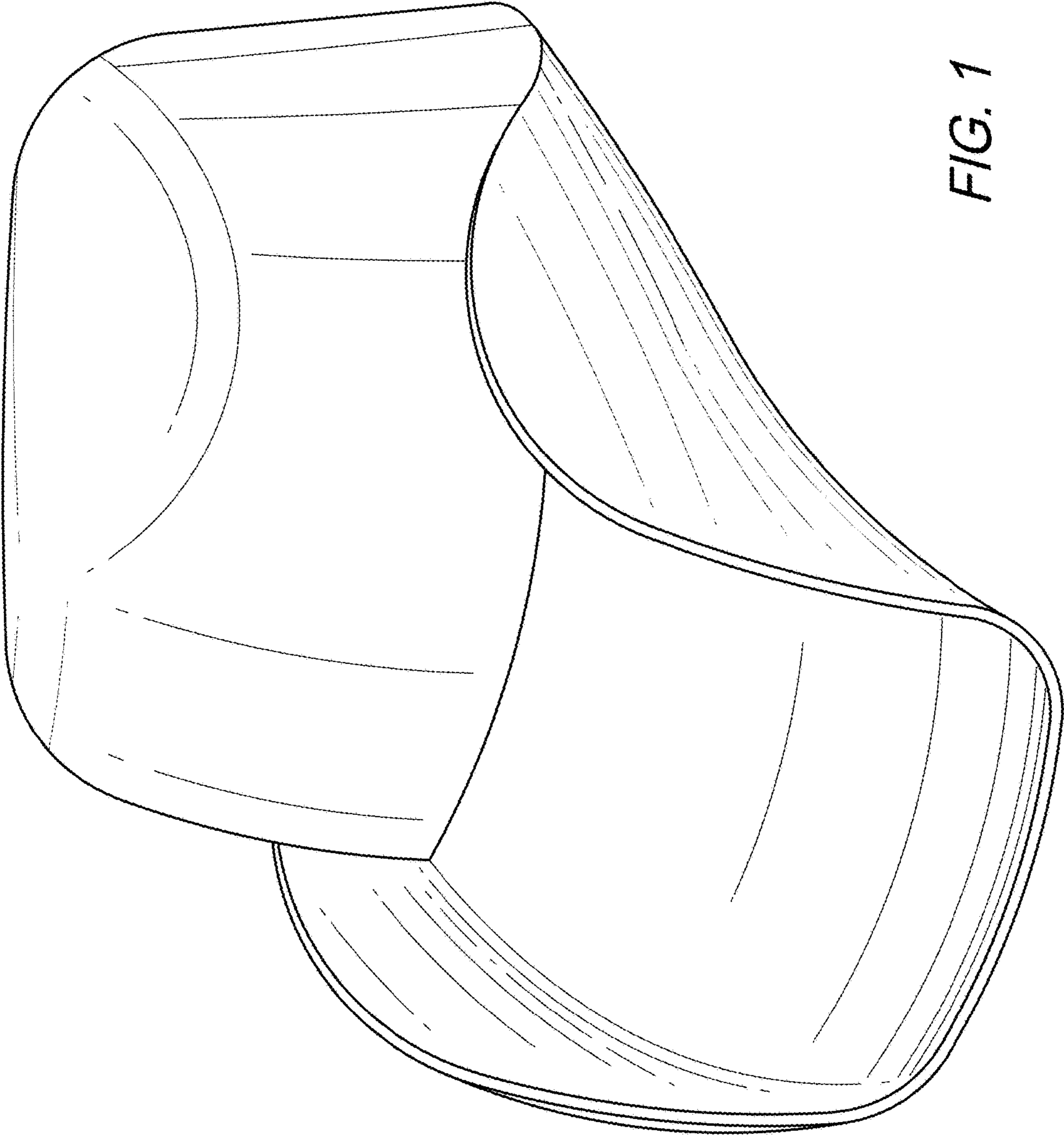
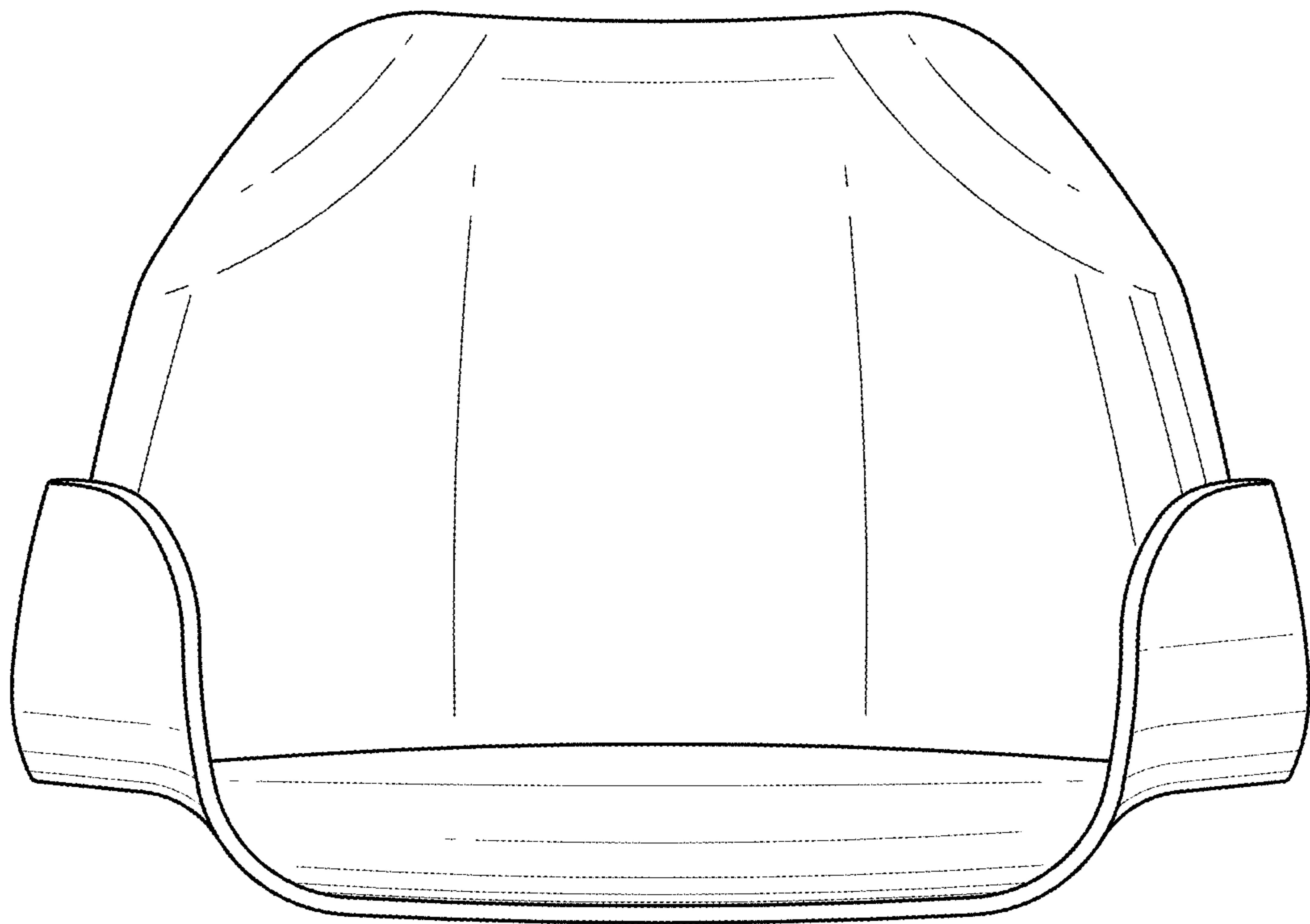


FIG. 1



*FIG. 2*

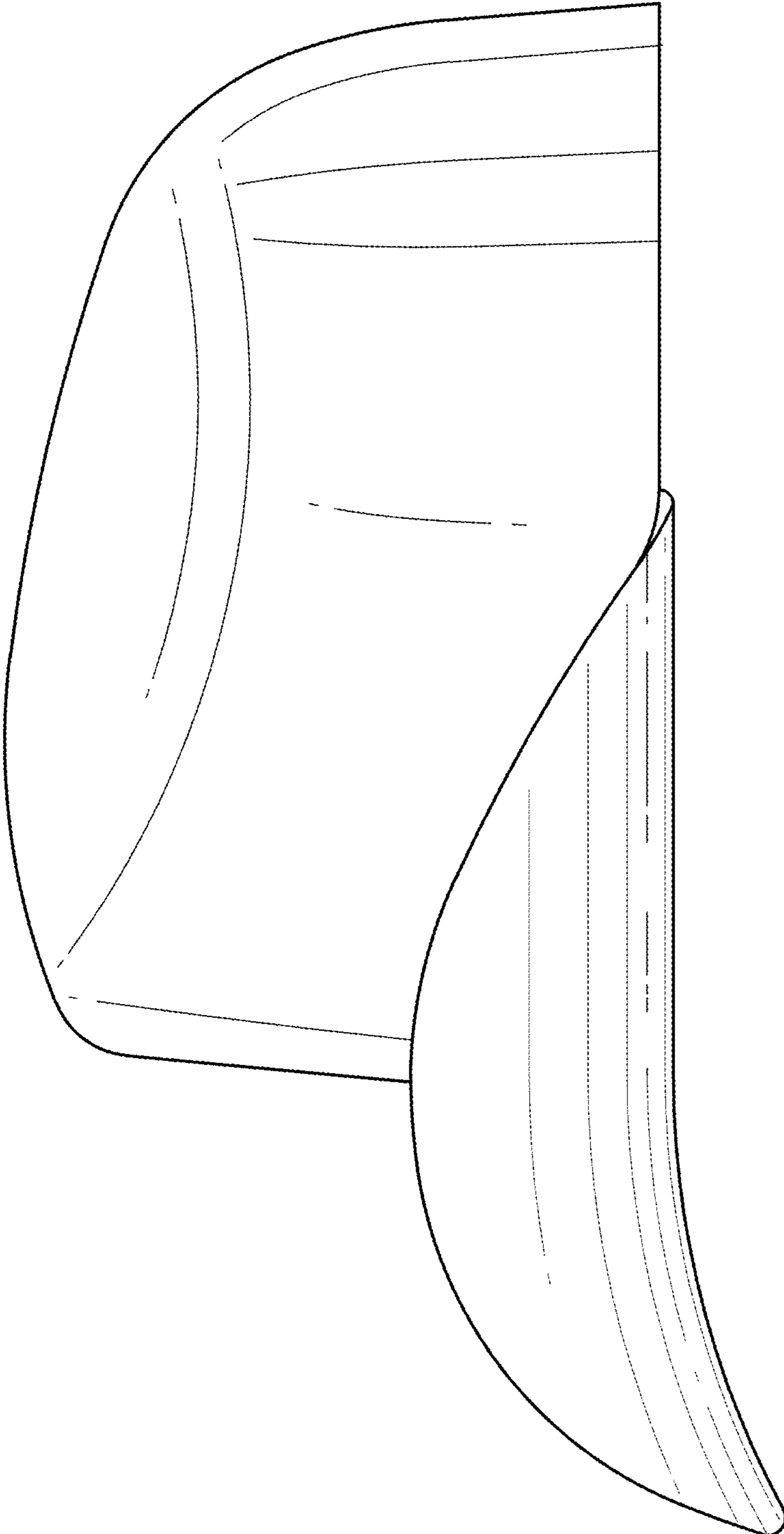
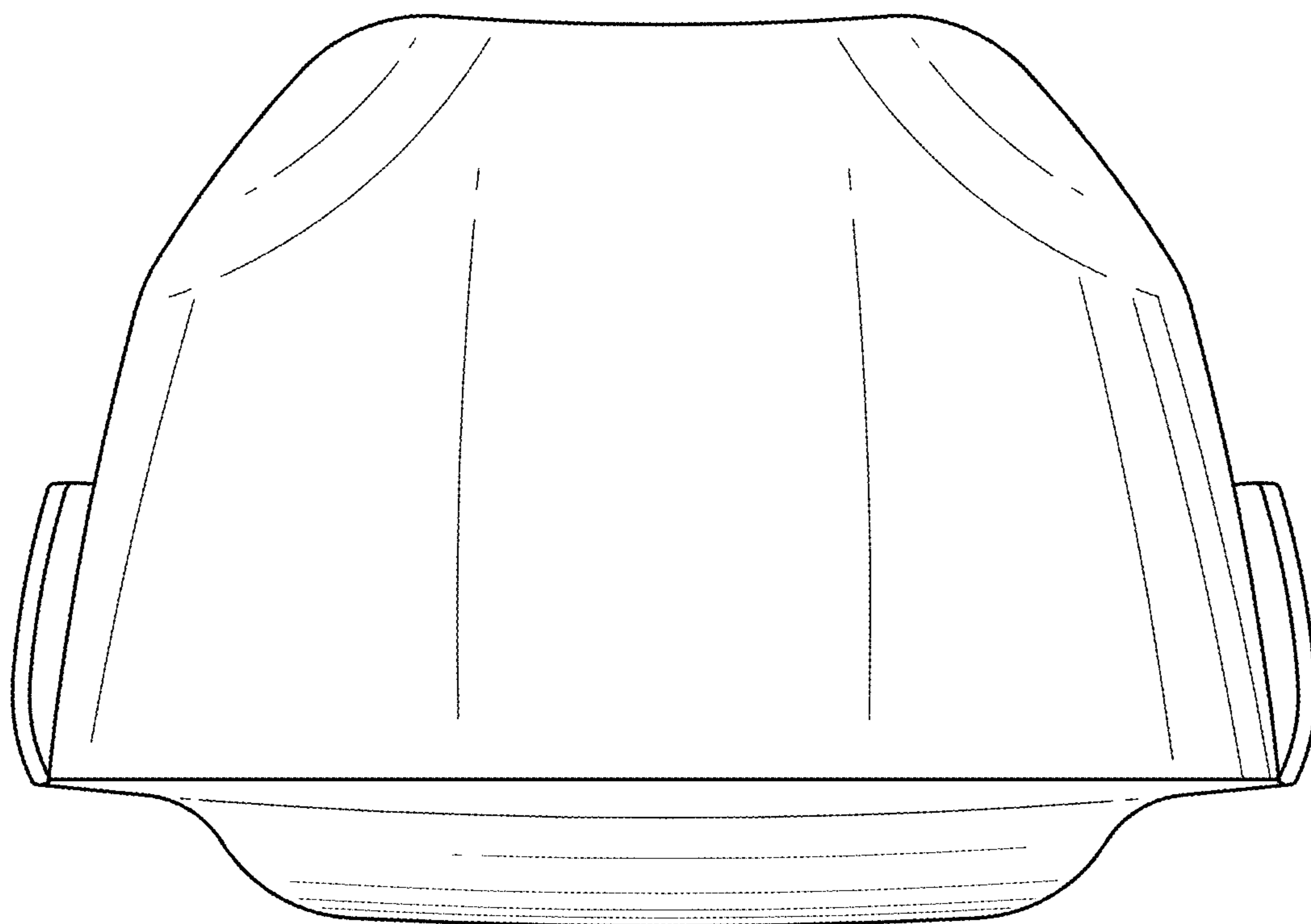
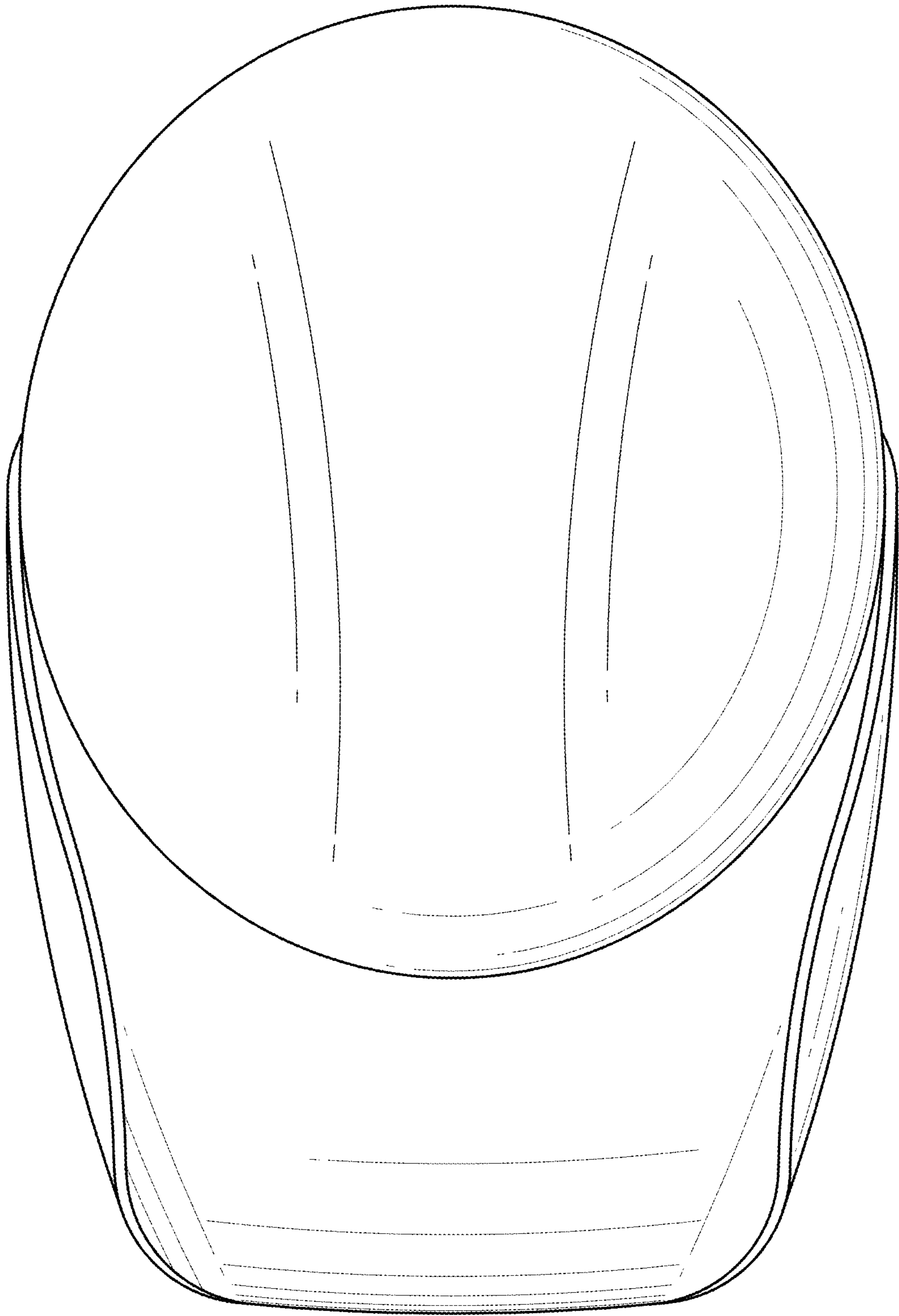


FIG. 3

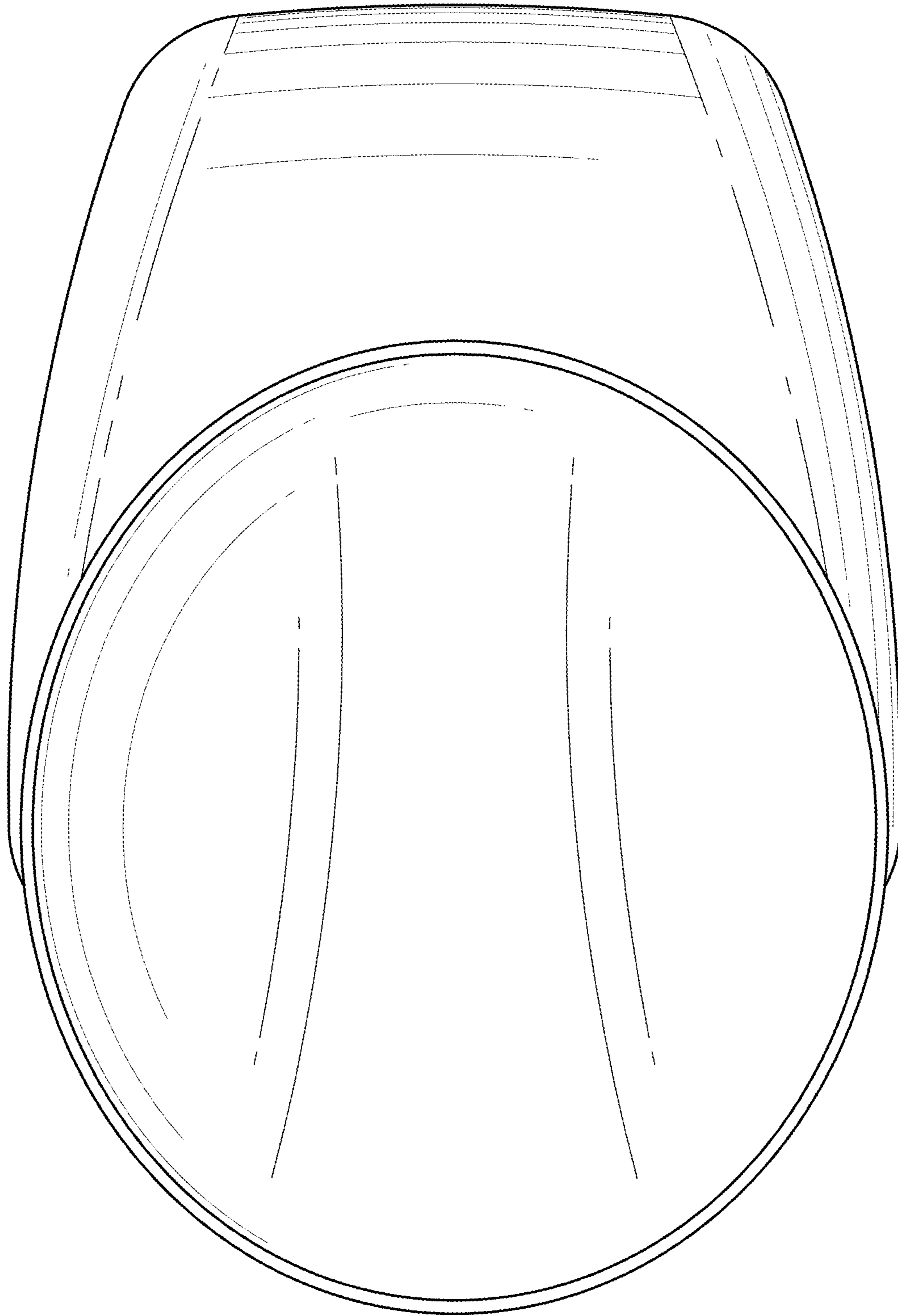


*FIG. 4*



*FIG. 5*





*FIG. 6*