



US00D791448S

(12) **United States Design Patent**
Williams

(10) **Patent No.:** **US D791,448 S**
(45) **Date of Patent:** **** Jul. 11, 2017**

(54) **WEIGHTED GOLF-TRAINING HAT**

(71) Applicant: **Joshua Thomas Williams**, Pooler, GA
(US)

(72) Inventor: **Joshua Thomas Williams**, Pooler, GA
(US)

(**) Term: **15 Years**

(21) Appl. No.: **29/542,827**

(22) Filed: **Oct. 18, 2015**

Related U.S. Application Data

(63) Continuation-in-part of application No. 14/070,546,
filed on Nov. 3, 2013, now abandoned.

(51) **LOC (10) Cl.** **02-03**

(52) **U.S. Cl.**
USPC **D2/882; D2/866**

(58) **Field of Classification Search**
USPC D2/865, 866, 869, 870, 872, 882, 891,
D2/895

CPC A42B 1/00; A42B 1/004; A42B 1/006;
A42B 1/02; A42B 1/062; A42B 1/063;
A42B 1/064; A42B 1/22; A42B 1/24;
A42B 1/241; A42B 1/248; A42C 5/00;
A63B 21/065; A63B 21/4003; A63B
69/0059; A63B 69/3623

See application file for complete search history.

(56) **References Cited**

U.S. PATENT DOCUMENTS

- 2,440,878 A * 5/1948 Schneider A61F 9/045
2/10
- 3,059,932 A * 10/1962 Smallwood A63B 69/0059
473/208
- D202,539 S * 10/1965 Webb D2/865
- 3,408,078 A * 10/1968 Falerni A63B 69/0059
473/208

- 4,451,935 A * 6/1984 Henschel A42B 1/241
2/181
- D317,223 S * 6/1991 Copeland D2/872
- D321,581 S * 11/1991 Li D14/192
- 6,272,689 B1 * 8/2001 Kronenberger A42B 1/248
2/175.1
- D456,118 S * 4/2002 Hill D2/860
- 7,010,814 B2 * 3/2006 Benziger A42B 1/08
2/171.2
- D530,486 S * 10/2006 Ruttan D2/866
- 7,904,970 B2 * 3/2011 Thomas A42B 1/247
2/195.6
- D636,562 S * 4/2011 Lam D2/882
- D705,526 S * 5/2014 Clark D2/866
- D714,529 S * 10/2014 Stewart D2/882
- D743,149 S * 11/2015 Brandelli D2/882
- D754,422 S * 4/2016 Zenoff D2/882

(Continued)

Primary Examiner — Karen E. Eldridge Powers

Assistant Examiner — Jasmine Mlinarcik

(74) *Attorney, Agent, or Firm* — Andrew Wilford

(57) **CLAIM**

The ornamental design for a weighted golf-training hat, as shown and described.

DESCRIPTION

FIG. 1 is a front elevational view of the invention; FIG. 2 is a side elevational view of the invention, the other side view being a mirror image except for disclaimed elements shown in broken lines as described below; FIG. 3 is a top plan view of the invention; and, FIG. 4 is a back elevational view of the invention.

The graphics and lettering shown in broken lines on the front of the hat above the bill form no part of the claimed design. The broken lines just inside of the outer edge of the pockets on the side of the hat represent environmental structure that forms no part of the claimed design.

1 Claim, 2 Drawing Sheets



(56)

References Cited

U.S. PATENT DOCUMENTS

2012/0005809 A1* 1/2012 Johnson A42B 1/248
2/209.13
2015/0033445 A1* 2/2015 Warner A42B 1/248
2/209.13
2015/0126294 A1* 5/2015 Williams A63B 69/0059
473/208

* cited by examiner



FIG. 1



FIG. 2

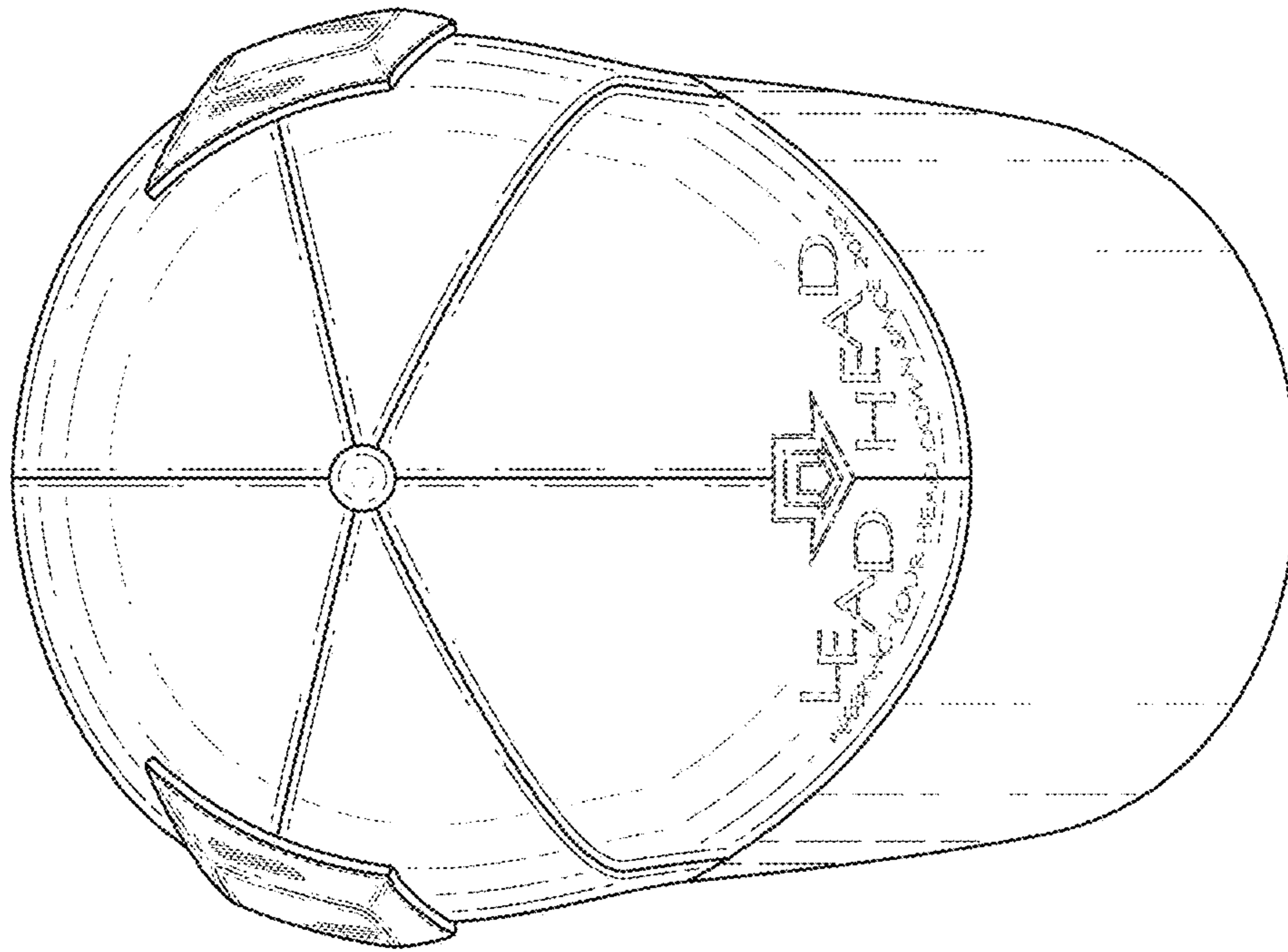


FIG. 3

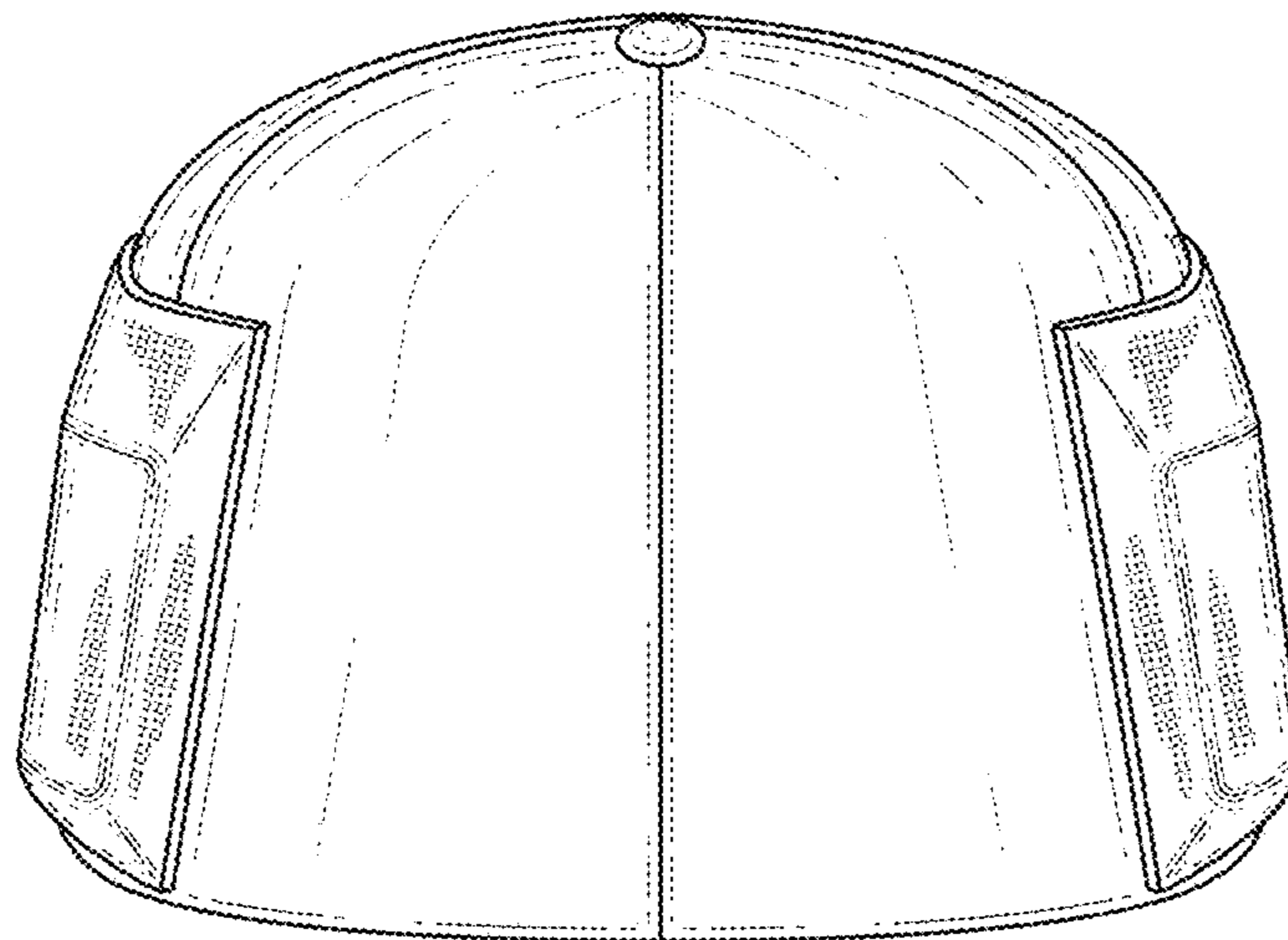


FIG. 4