



US00D791447S

(12) **United States Design Patent**  
**Thornton**

(10) **Patent No.:** **US D791,447 S**

(45) **Date of Patent:** **\*\* \*Jul. 11, 2017**

(54) **BASEBALL HAT**

(71) Applicant: **Quinlan A. Thornton**, Minneapolis, MN (US)

(72) Inventor: **Quinlan A. Thornton**, Minneapolis, MN (US)

(\*) Notice: This patent is subject to a terminal disclaimer.

(\*\*) Term: **14 Years**

(21) Appl. No.: **29/493,730**

(22) Filed: **Jun. 12, 2014**

(51) **LOC (10) Cl.** ..... **02-03**

(52) **U.S. Cl.**  
USPC ..... **D2/881**

(58) **Field of Classification Search**  
USPC ..... D2/865, 866, 869, 871, 872, 874, 875, D2/876, 877, 881, 882, 884, 890, 891, D2/892, 893, 867, 886, 888, 889, 978; 2/171.1, 171.4, 171.5, 175.4, 182.8, 183, 2/195.1, 195.4, 195.5, 195.6, 200.1, 2/209.12, 209.13, 209.3, 209.7, 175.1, 2/175.3, 175.7, 195.3, 209.11, 209.4, 172, 2/175.9, 195.2, 181, 181.4, 12, 171; 132/57.1, 58  
CPC ..... A42B 1/004; A42B 1/006; A42B 1/02; A42B 1/062; A42B 1/22; A42B 3/145; A42B 1/225; A42B 1/08; A42B 7/00  
See application file for complete search history.

(56) **References Cited**

**U.S. PATENT DOCUMENTS**

- 4,628,543 A \* 12/1986 Hunt ..... A63B 71/143 2/161.1
- 5,325,540 A \* 7/1994 Kronenberger ..... A42B 7/00 2/12
- 5,734,993 A \* 4/1998 D'Oca ..... A42B 7/00 132/57.1
- D396,546 S \* 8/1998 Marrs ..... D2/865

- D419,750 S \* 2/2000 Bazin ..... D2/876
- 6,240,566 B1 \* 6/2001 Scantlin ..... A42B 1/225 2/171
- D483,927 S \* 12/2003 Appleberry ..... D2/882
- D496,146 S \* 9/2004 Appleberry ..... D2/876
- 7,024,702 B2 \* 4/2006 Kronenberger ..... A42B 1/06 2/209.3

(Continued)

*Primary Examiner* — Karen E. Eldridge Powers

*Assistant Examiner* — Kimberly Barnes

(74) *Attorney, Agent, or Firm* — Allison Johnson, P. A.

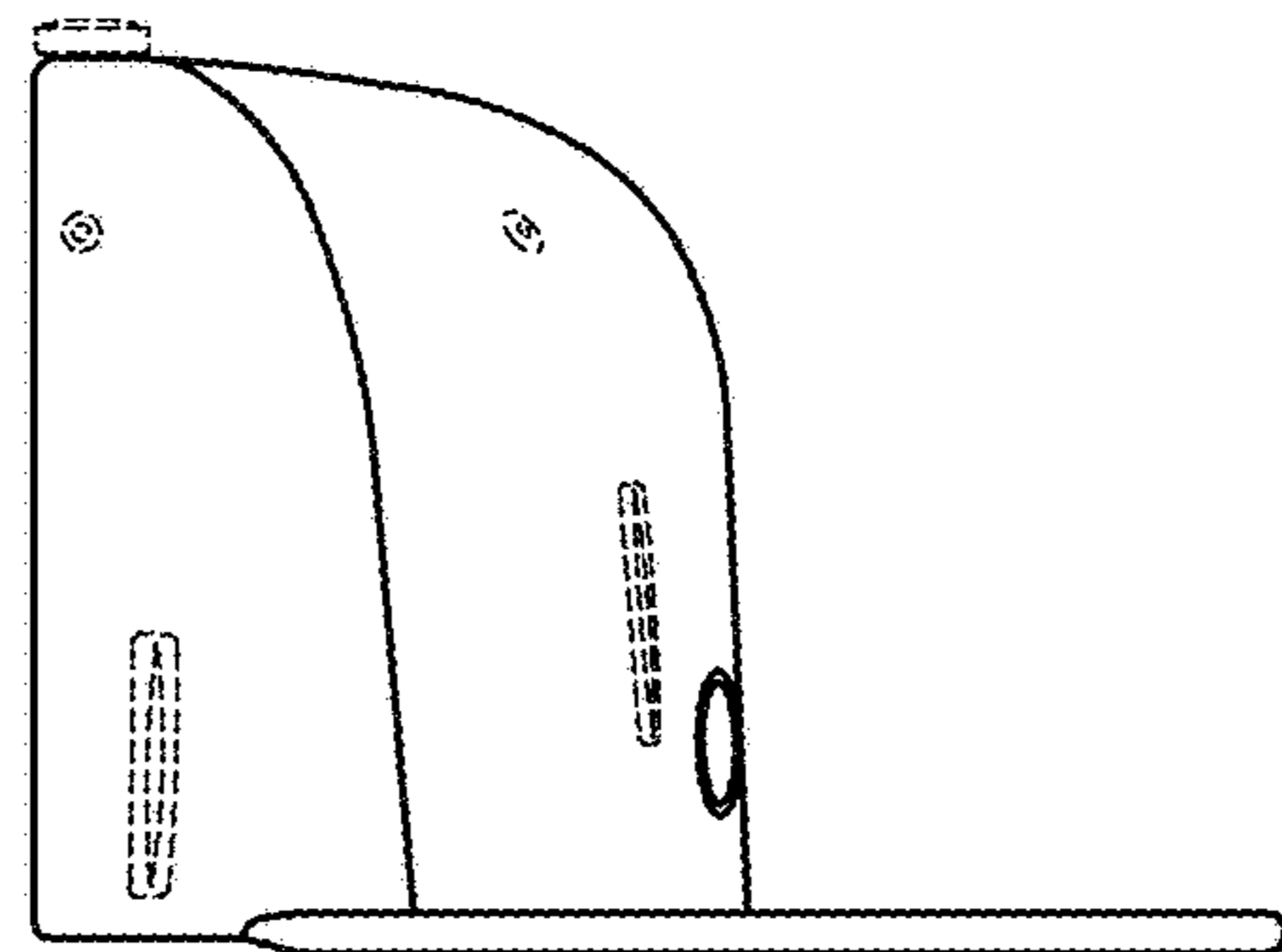
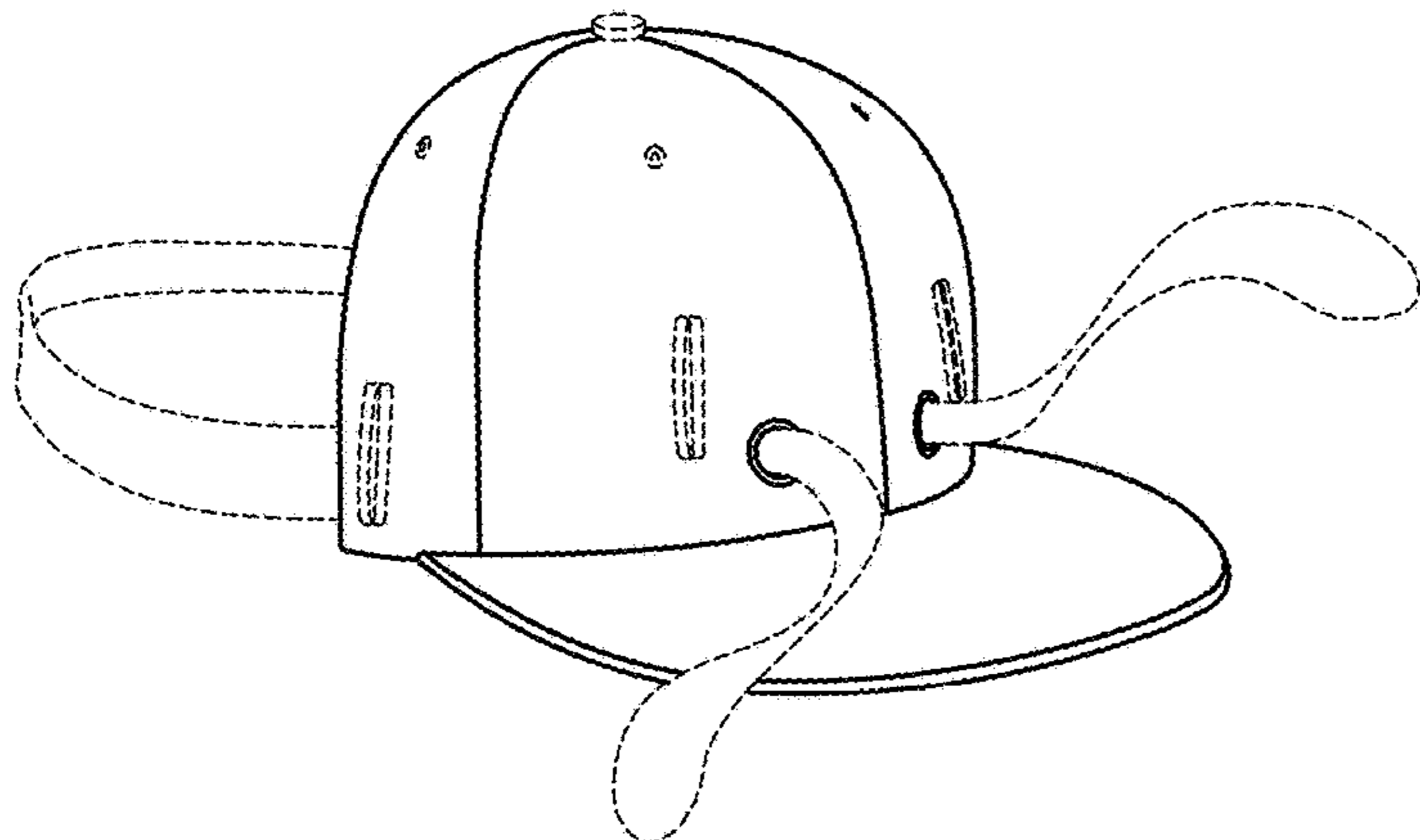
(57) **CLAIM**

The ornamental design for a baseball hat, as shown and described.

**DESCRIPTION**

FIG. 1 is a front perspective view of the baseball hat showing my new design;  
 FIG. 2 is a front elevational view of a baseball hat in accordance with the present invention;  
 FIG. 3 is a rear elevational view of the baseball hat of FIG. 2;  
 FIG. 4 is a right side elevational view of the baseball hat of FIG. 2;  
 FIG. 5 is a left side elevational view of the baseball hat of FIG. 2;  
 FIG. 6 is a top plan view of the hat of FIG. 2; and,  
 FIG. 7 is a bottom plan view of the baseball hat of FIG. 2.  
 The features shown in broken lines in FIGS. 1-7 represent environmental structure that forms no part of the claimed design.  
 For ease of illustration, the bandana feature shown in broken lines extending through openings in FIG. 1 is not shown in the remaining figures.  
 For ease of illustration, the headband feature shown in broken lines in FIGS. 2 and 3 is not shown in the remaining figures.

**1 Claim, 4 Drawing Sheets**



(56)

**References Cited**

U.S. PATENT DOCUMENTS

7,036,156 B2 \* 5/2006 Lahman ..... A42B 1/08  
2/181  
D564,732 S \* 3/2008 Cash, Sr. .... D2/879  
D572,437 S \* 7/2008 Scott ..... D2/882  
D579,180 S \* 10/2008 Bridges ..... D2/882  
D589,237 S \* 3/2009 Jagers ..... D2/866  
D595,483 S \* 7/2009 Behling ..... D2/882  
D600,893 S \* 9/2009 Hayashida ..... D2/891  
D603,145 S \* 11/2009 Erby ..... D2/882  
D632,875 S \* 2/2011 Bischel ..... D2/876  
D662,289 S \* 6/2012 Rinaldi ..... D2/882  
D667,611 S \* 9/2012 Nguyen ..... D2/876  
8,381,316 B2 \* 2/2013 Edwards ..... A42B 1/006  
2/175.3  
D682,513 S \* 5/2013 House ..... D2/876  
D713,622 S \* 9/2014 Steel ..... D2/866  
D714,528 S \* 10/2014 Bartelt ..... D2/866  
2006/0117460 A1 \* 6/2006 Yan ..... A42B 1/062  
2/209.3  
2014/0130235 A1 \* 5/2014 Johnson ..... A42B 1/225  
2/209.3

\* cited by examiner

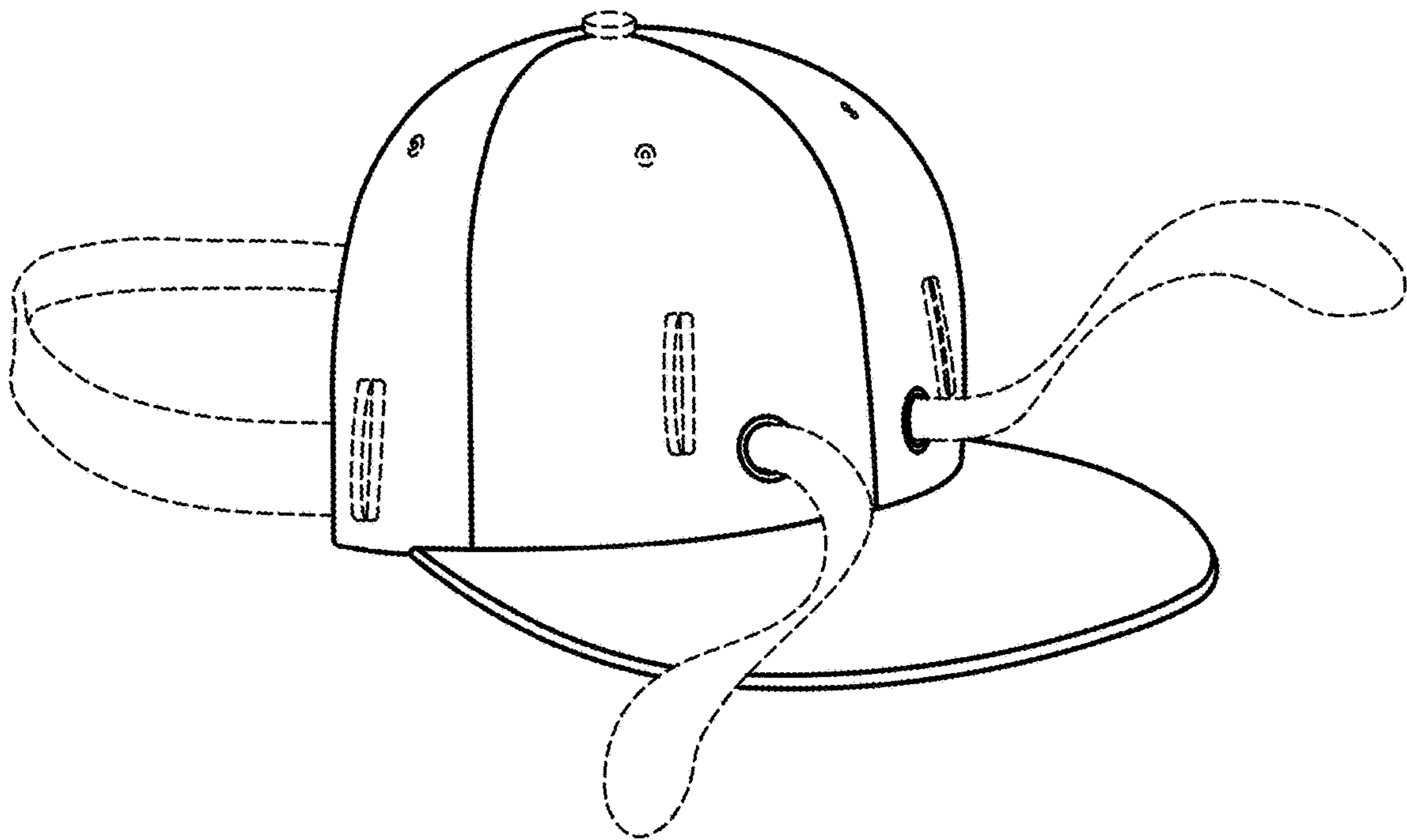


FIG. 1

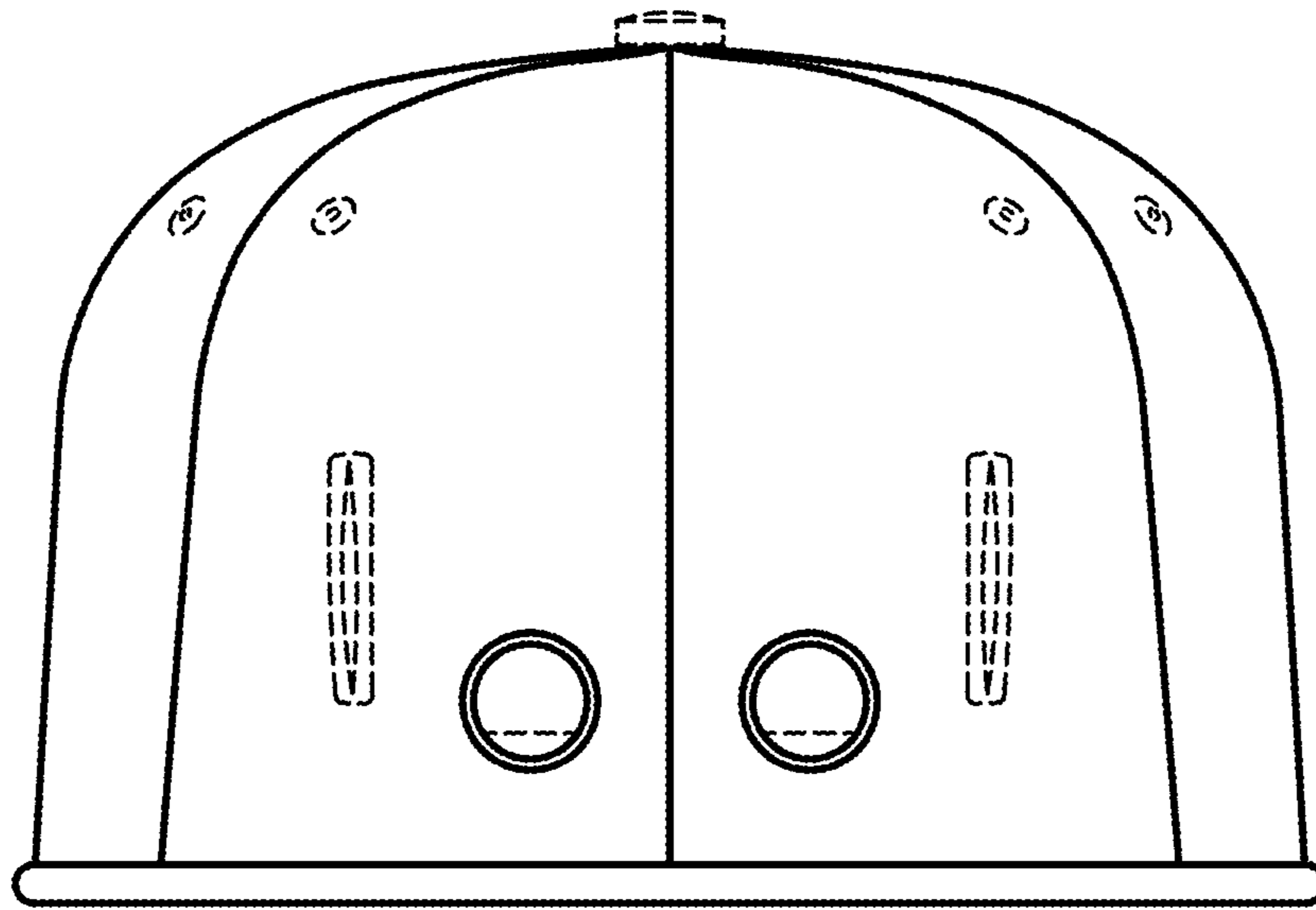


FIG. 2

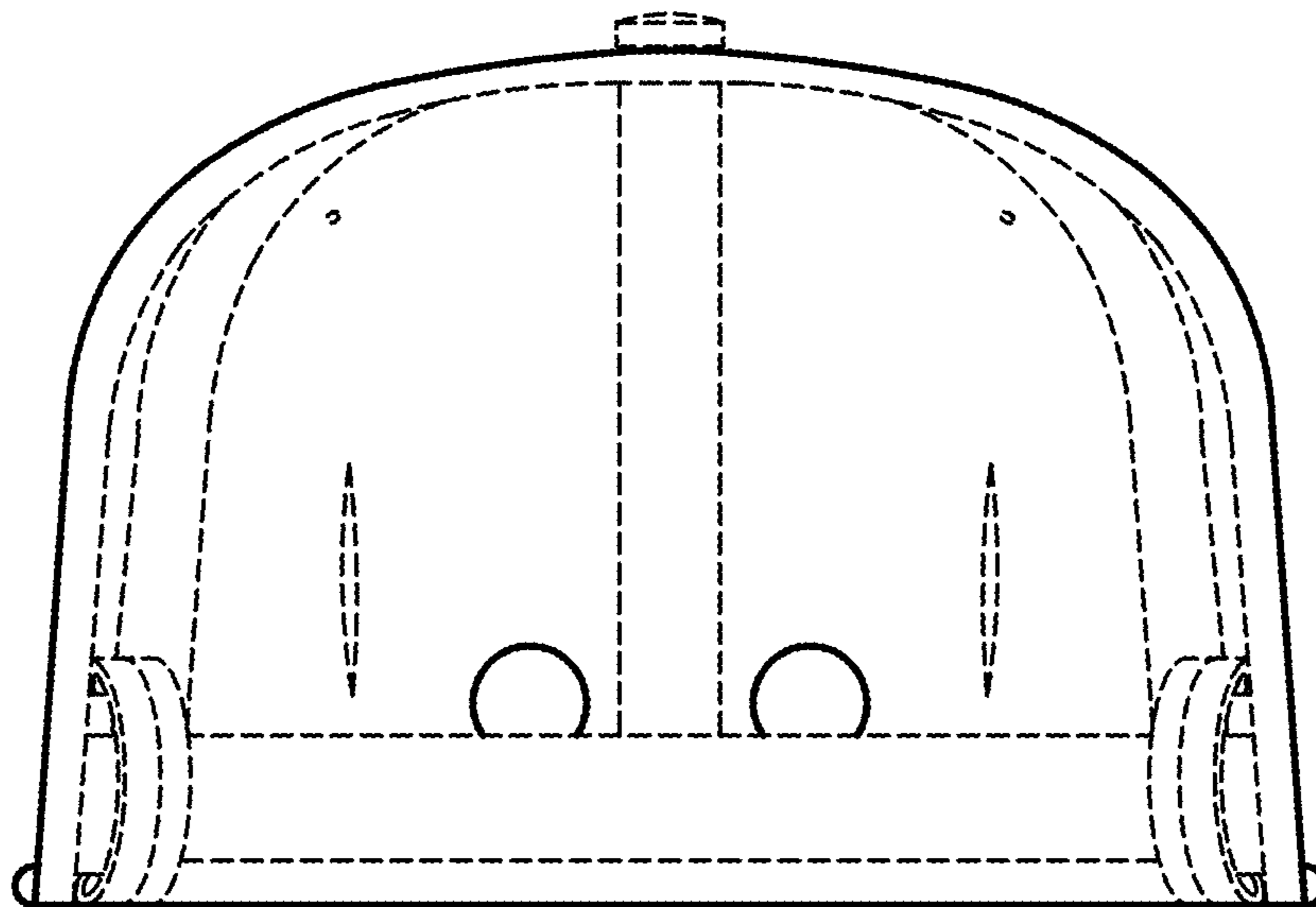


FIG. 3

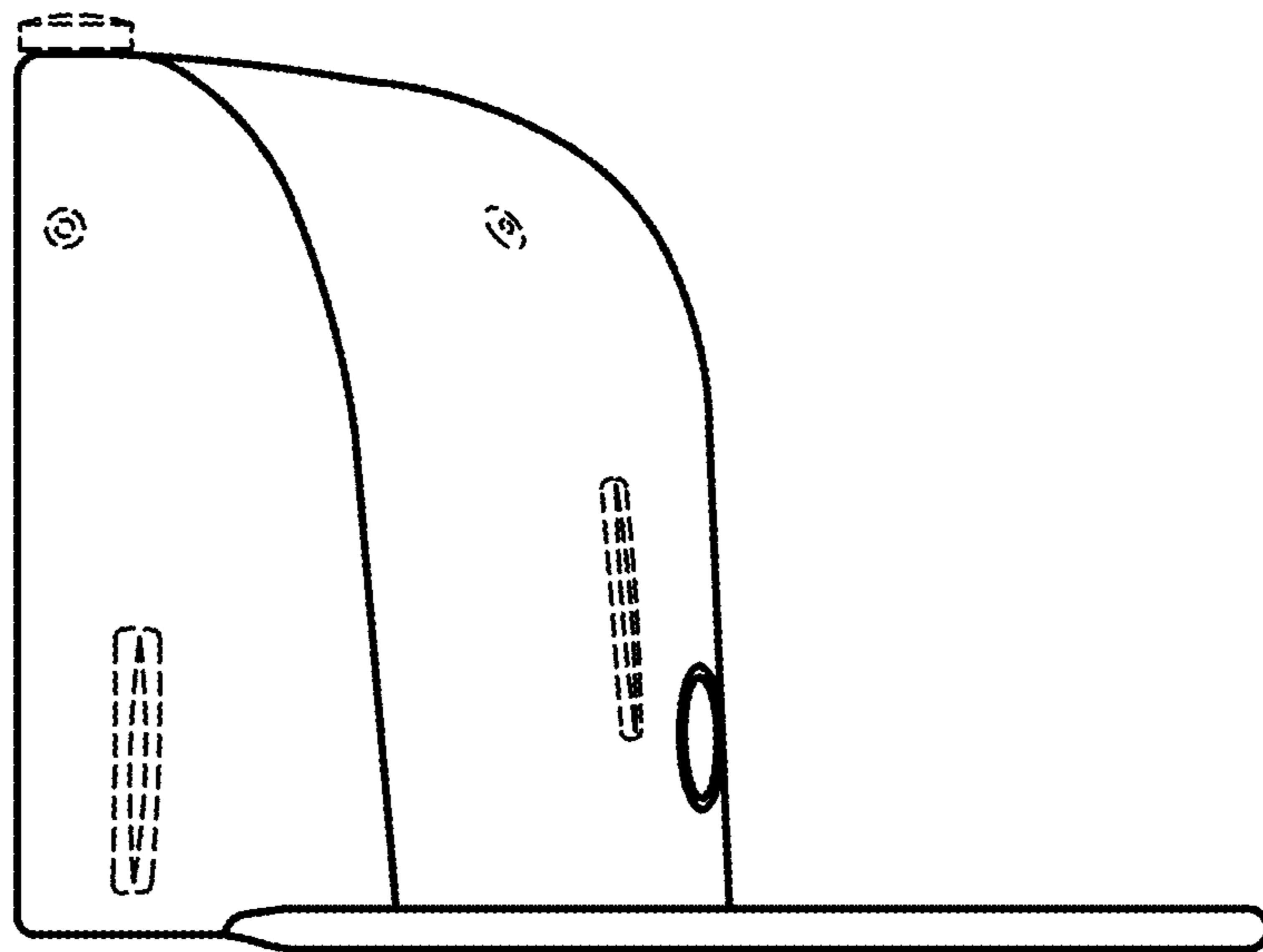


FIG. 4

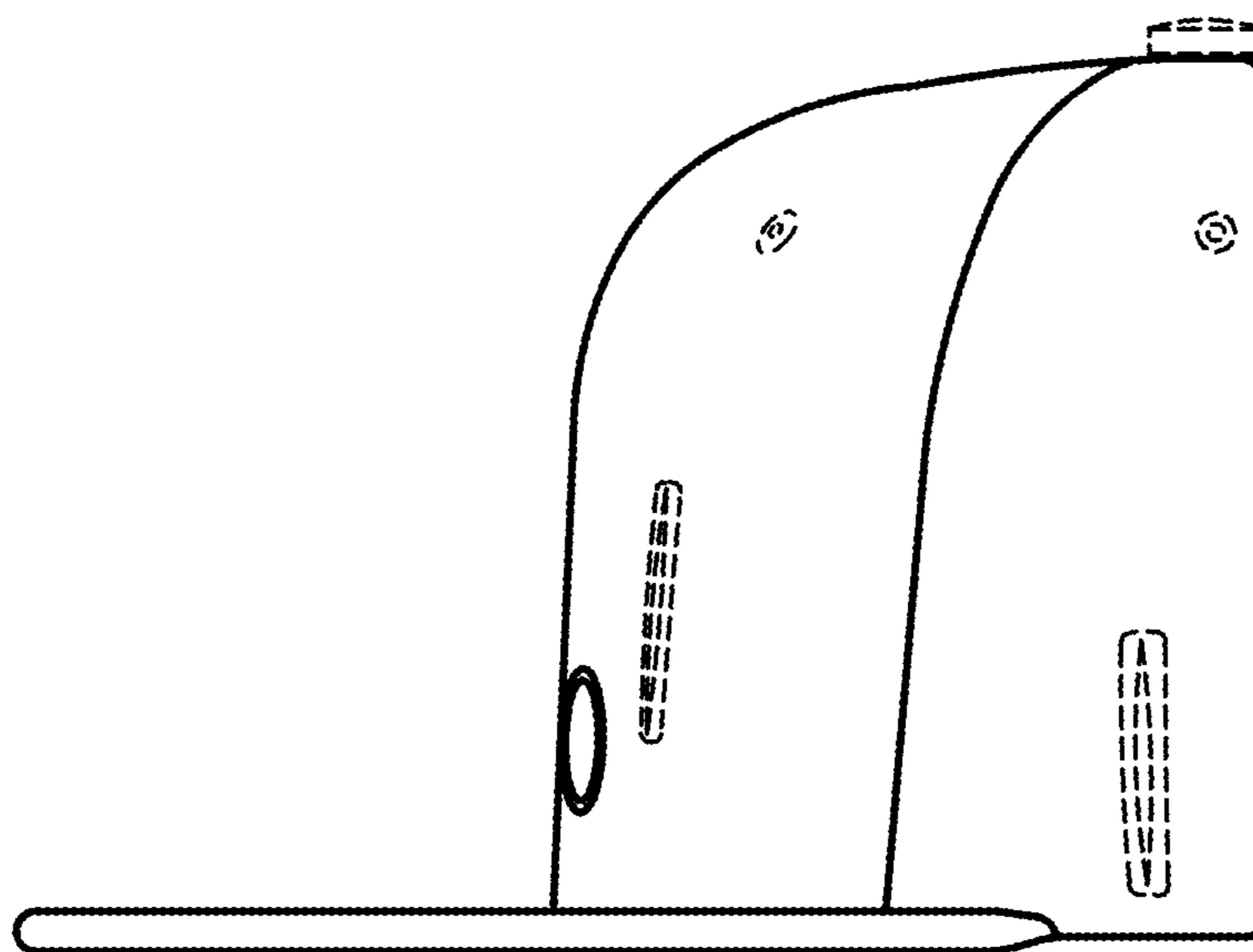


FIG. 5

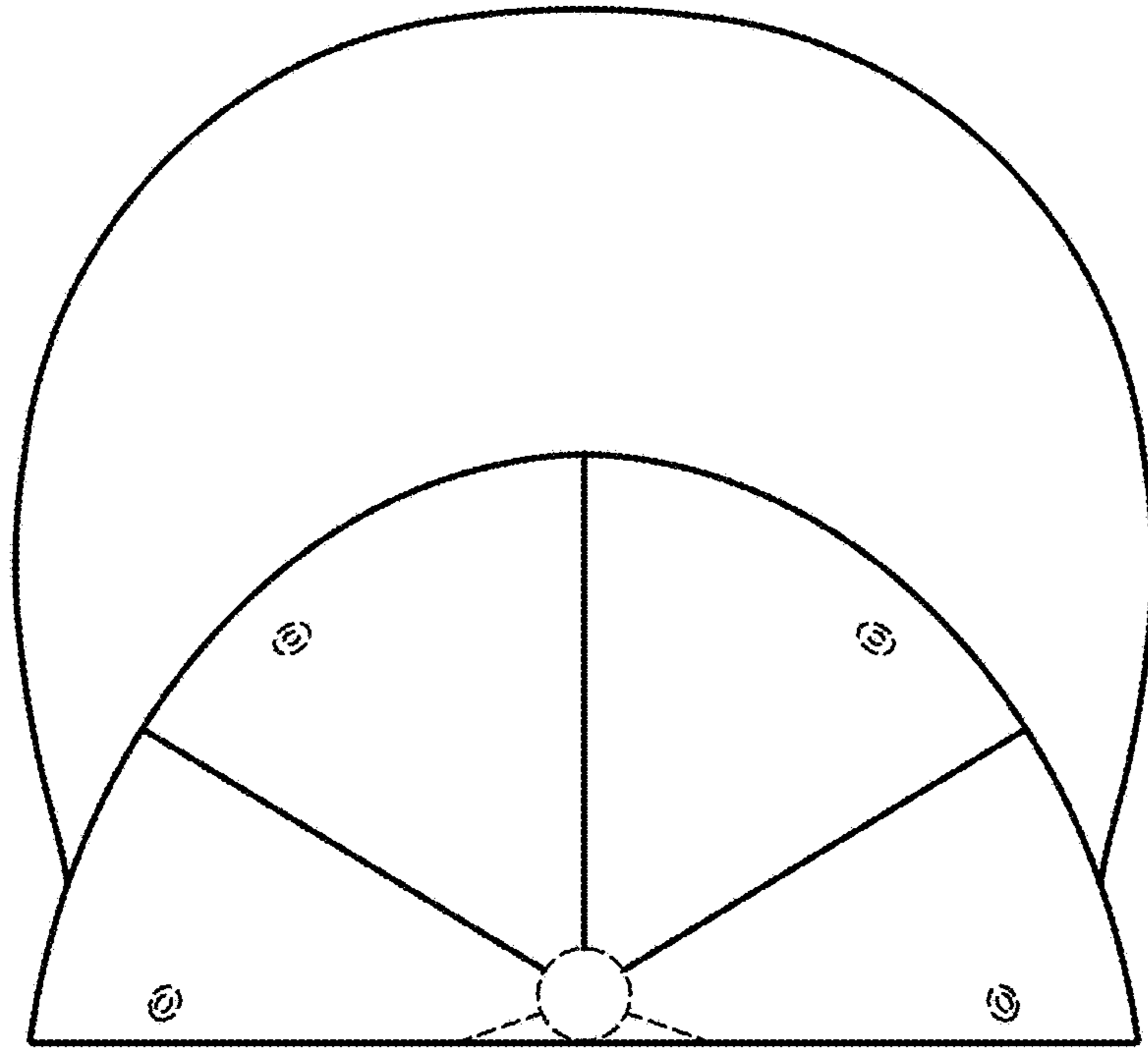


FIG. 6

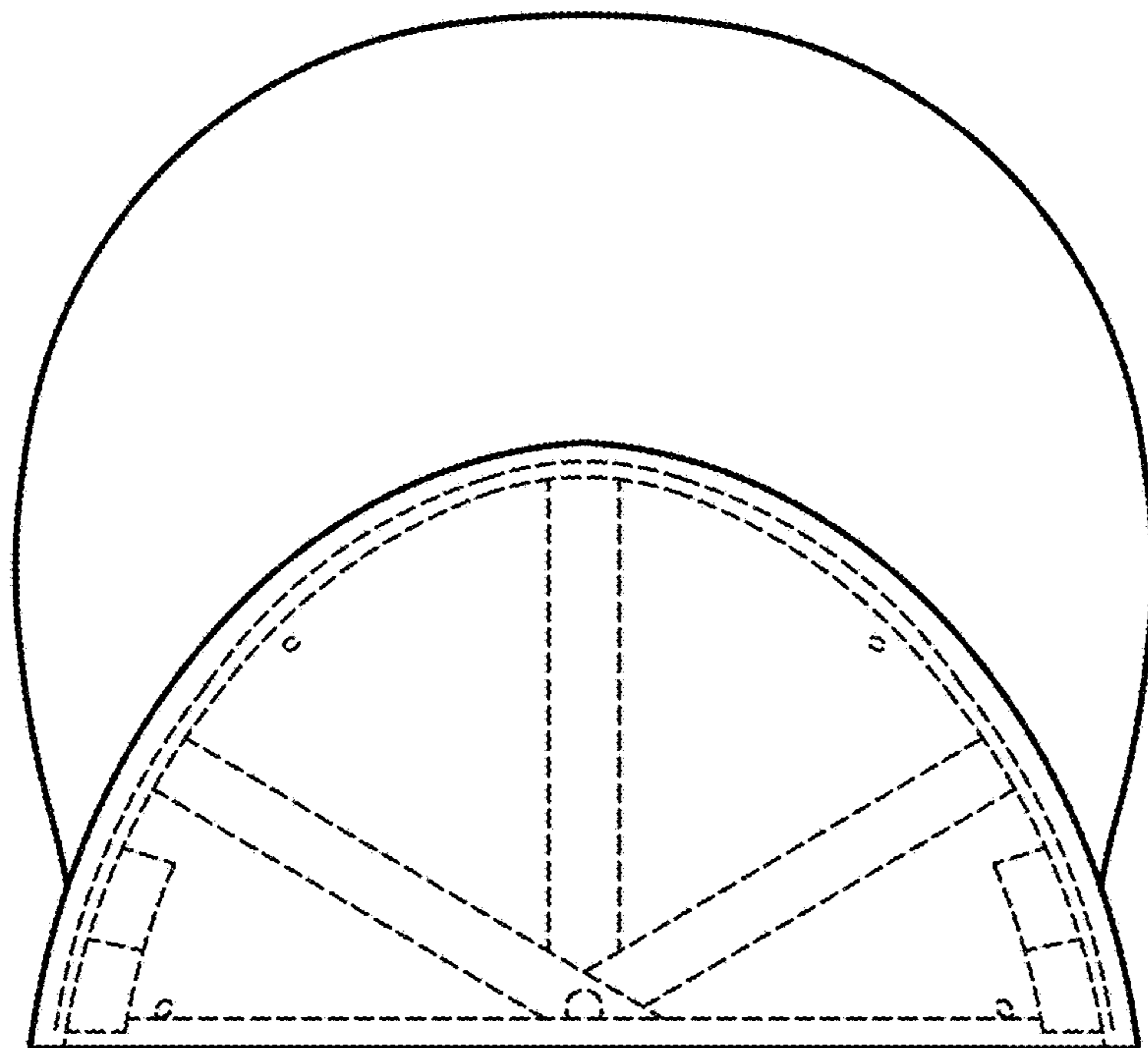


FIG. 7