



US00D791434S

(12) **United States Design Patent** (10) **Patent No.:** **US D791,434 S**
Pasko (45) **Date of Patent:** **** Jul. 11, 2017**

(54) **MEDICAL GOWN**

FOREIGN PATENT DOCUMENTS

(71) Applicant: **Medline Industries, Inc.**, Mundelein, IL (US)

CA 2343482 10/2001
EM 001320857 3/2012

(Continued)

(72) Inventor: **Stephanie Pasko**, Des Plaines, IL (US)

OTHER PUBLICATIONS

(73) Assignee: **Medline Industries, Inc.**, Northfield, IL (US)

Harris, Raymond E., "Non-Final Office Action", U.S. Appl. No. 12/537,961, filed Aug. 7, 2009; Mailed Nov. 9, 2011.

(Continued)

(**) Term: **14 Years**

Primary Examiner — Brandon M Rosati

Assistant Examiner — Carissa C Fitts

(21) Appl. No.: **29/467,623**

(74) *Attorney, Agent, or Firm* — Philip H. Burrus, IV

(22) Filed: **Sep. 20, 2013**

(57) **CLAIM**

The ornamental design for a medical gown, as shown and described.

Related U.S. Application Data

DESCRIPTION

(63) Continuation-in-part of application No. 13/276,232, filed on Oct. 18, 2011, and a continuation-in-part of application No. 13/804,565, filed on Mar. 14, 2013, and a continuation-in-part of application No. 29/404,295, filed on Oct. 18, 2011, now abandoned.

FIG. 1 is a front elevation view of a medical gown illustrating our new design, with the medical gown in an untied configuration; and

FIG. 2 is a rear elevation view thereof.

(51) **LOC (10) Cl.** **02-01**

(52) **U.S. Cl.**
USPC **D2/720**

FIG. 3 is a rear elevation view of the medical gown with left and right flaps of the rear opening folded back to expose an unclaimed pocket disposed on an inner surface of the interior of the medical gown.

(58) **Field of Classification Search**
USPC D2/720, 724, 739, 750, 828, 838, 756;
2/93, 96, 108, 74

CPC A41D 13/1236; A41D 13/1263; A41D 13/1281; A41D 2400/52

FIG. 4 is a front elevation view of a medical gown illustrating our new design, with the medical gown in an untied configuration; and

FIG. 5 is a rear elevation view thereof; and,

See application file for complete search history.

FIG. 6 is a rear elevation view of the medical gown with left and right flaps of the rear opening folded back to expose an unclaimed pocket disposed on an inner surface of the interior of the medical gown.

The dashed line between the neck and opening along the back of the gown is a perforation. All other broken lines represent unclaimed portions of the article and form no part of the claimed design.

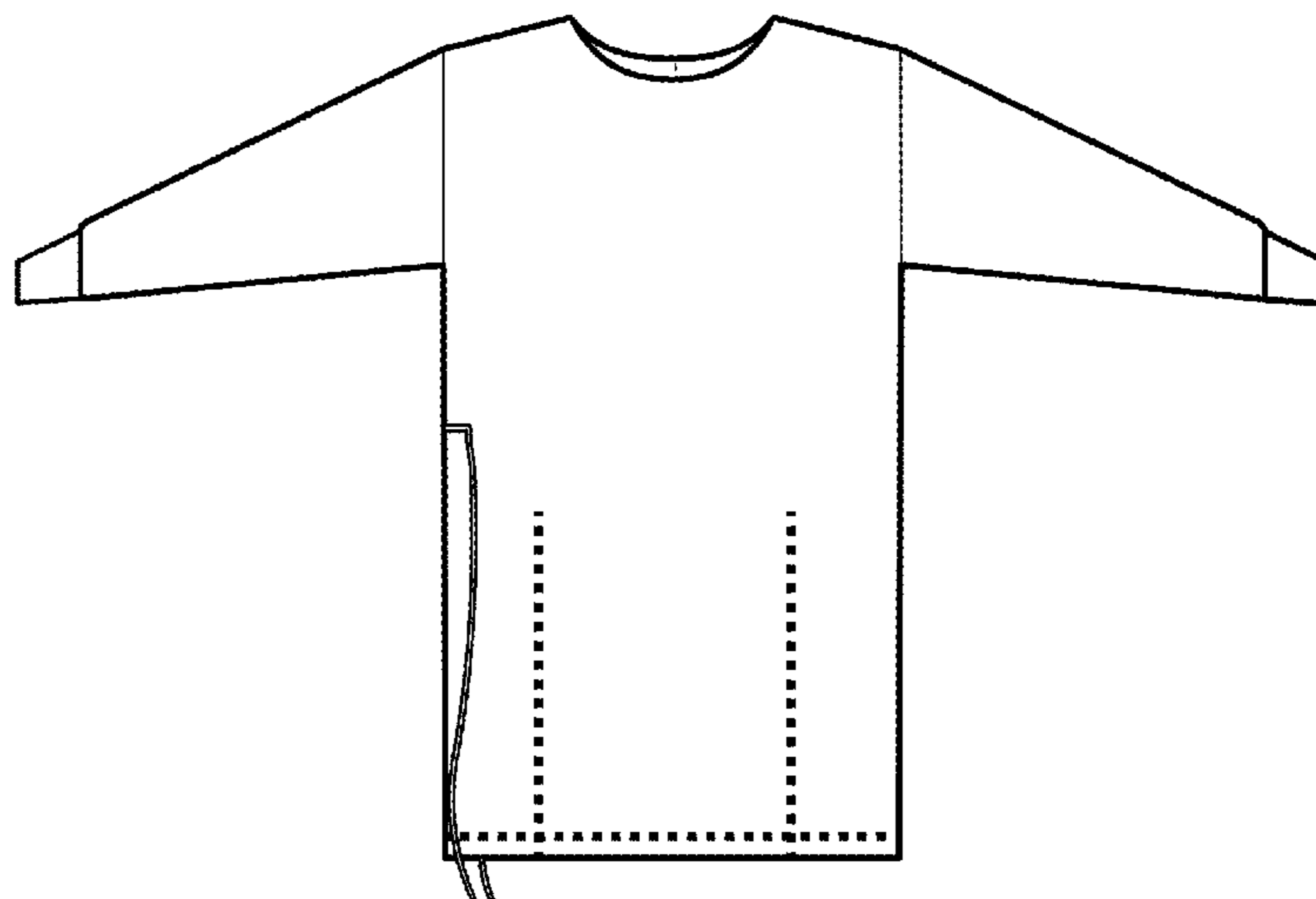
(56) **References Cited**

U.S. PATENT DOCUMENTS

371,353 A 10/1887 Perry
842,224 A 1/1907 Mills
850,960 A 4/1907 O'Connoor
884,063 A 4/1908 Baldwin

(Continued)

1 Claim, 4 Drawing Sheets



(56)

References Cited

U.S. PATENT DOCUMENTS

7,370,369 B2 5/2008 Cheung
 7,412,728 B2 8/2008 Alesina et al.
 D575,936 S 9/2008 Fenderson et al.
 D579,178 S 10/2008 Snyder et al.
 7,454,798 B2 11/2008 Feodoroff
 D584,483 S 1/2009 Glynn
 7,549,179 B1 6/2009 Saied
 D598,638 S 8/2009 Graneto, III
 7,594,279 B2 9/2009 Roy
 D608,980 S 2/2010 Brady
 7,654,266 B2 2/2010 Corbitt, Jr.
 D612,126 S 3/2010 Milgrom
 D618,884 S 7/2010 Zhu
 D622,479 S 8/2010 Herzog
 D622,934 S 9/2010 Graneto, III
 7,819,911 B2* 10/2010 Anderson A61F 7/00
 607/104
 7,841,020 B2 11/2010 Mayfield et al.
 7,971,274 B2 7/2011 Graneto, III
 8,006,836 B2 8/2011 Trombetta
 D646,463 S 10/2011 Petrovskis et al.
 D647,688 S 11/2011 Hilgart
 8,056,146 B2 11/2011 Porowski
 8,069,495 B2 12/2011 Kemper
 D653,019 S 1/2012 Bond
 D655,479 S 3/2012 Umbach et al.
 D657,530 S 4/2012 Farris et al.
 8,162,137 B2 4/2012 Vellutato, Jr. et al.
 8,286,263 B2 10/2012 Sampson-Howlett
 8,332,965 B1 12/2012 Ryer
 8,375,466 B2 2/2013 Tasezen et al.
 D680,709 S 4/2013 Blood
 8,464,374 B1 6/2013 Thayer
 D687,209 S 8/2013 Levine
 D690,078 S 9/2013 Anderson
 D698,529 S 2/2014 Vanneste
 8,677,513 B2 3/2014 Mathis et al.
 D719,721 S 12/2014 Bonfiglio
 D721,870 S 2/2015 Levine
 D736,493 S* 8/2015 Pasko A41D 13/129
 D2/720
 D737,546 S 9/2015 Sewall
 D741,044 S* 10/2015 Pasko D2/720
 2001/0032346 A1* 10/2001 Matsushita A41D 13/1209
 2/83
 2002/0095709 A1 7/2002 Fujikawa et al.
 2003/0121522 A1 7/2003 Gingles et al.
 2003/0131401 A1 7/2003 Dilworth
 2004/0019951 A1 2/2004 Cioffi
 2004/0103904 A1 6/2004 Auerbach et al.
 2004/0123366 A1 7/2004 Schorr et al.
 2005/0044608 A1 3/2005 Ambrose et al.
 2005/0132465 A1 6/2005 Kathumbi-Jackson et al.
 2005/0223468 A1 10/2005 Hatton
 2006/0000002 A1 1/2006 Bergkvist
 2006/0064797 A1 3/2006 Pyeatt Rowe
 2006/0107434 A1 5/2006 Rowe
 2006/0117452 A1 6/2006 Ambrose
 2006/0117456 A1 6/2006 Griesbach
 2006/0177655 A1 8/2006 Mizohata et al.
 2006/0236440 A1 10/2006 Zahler
 2006/0277655 A1* 12/2006 Kerr A41D 13/1236
 2/114
 2006/0286334 A1 12/2006 Harpole
 2007/0130668 A1 6/2007 Berman et al.
 2008/0006279 A1 1/2008 Bodenham et al.
 2008/0115253 A1 5/2008 Gorman
 2008/0155728 A1 7/2008 Hafer et al.
 2008/0178365 A1 7/2008 Furgerson et al.
 2009/0165186 A1 7/2009 Mijares et al.
 2009/0320177 A1 12/2009 Lin et al.
 2010/0031966 A1 2/2010 Allen
 2010/0064408 A1* 3/2010 Kemper A41D 13/1209
 2/51

2010/0138975 A1 6/2010 Jordan et al.
 2010/0212063 A1 8/2010 Baucom et al.
 2010/0299805 A1 12/2010 Graneto, III
 2010/0300459 A1 12/2010 Lair
 2011/0024485 A1 2/2011 Porowski
 2011/0154554 A1 6/2011 Furlong
 2011/0167534 A1 7/2011 Wong et al.
 2011/0231981 A1 9/2011 Appel et al.
 2011/0315150 A1 12/2011 Bream, Jr.
 2012/0047623 A1 3/2012 van Oudenallen et al.
 2012/0054940 A1 3/2012 Halseth
 2012/0060257 A1 3/2012 Herzog
 2012/0124722 A1 5/2012 Yadav et al.
 2012/0305541 A1 12/2012 Giles
 2012/0312308 A1 12/2012 Allen
 2013/0091615 A1 4/2013 Pasko et al.
 2013/0091616 A1 4/2013 Muche et al.
 2013/0191960 A1 8/2013 Pasko
 2013/0198930 A1 8/2013 Levine
 2013/0276204 A1 10/2013 Pasko et al.
 2013/0318682 A1 12/2013 Graneto, III
 2014/0007316 A1 1/2014 Tommarello et al.
 2014/0082816 A1 3/2014 Christopher
 2014/0173814 A1 6/2014 Yadav et al.
 2014/0182043 A1 7/2014 Moore
 2014/0189931 A1 7/2014 Fredrickson
 2014/0215681 A1 8/2014 Goodman
 2015/0089712 A1 4/2015 Gamble
 2015/0096099 A1 4/2015 Vanneste
 2015/0113698 A1 4/2015 Gregersen-Brown
 2015/0135397 A1 5/2015 Levine
 2015/0135398 A1 5/2015 Czajka et al.
 2015/0208741 A1 7/2015 Pasko
 2015/0213215 A1 7/2015 Kobayashi et al.

FOREIGN PATENT DOCUMENTS

EP 143204 6/1985
 EP 0335041 10/1989
 EP 335041 10/1989
 EP 1407324-0001 5/2014
 EP 1407324-0002 5/2014
 EP 1407324-0003 5/2014
 EP 1407324-0004 5/2014
 KR 101116311 3/2012
 WO WO-2008/146138 12/2008

OTHER PUBLICATIONS

Vanatta, Amy B., "Notice of Allowance", U.S. Appl. No. 12/720,360, filed Mar. 9, 2012; Mailed Feb. 9, 2012.
 Harris, Raymond E., "Final Office Action", U.S. Appl. No. 12/537,961, filed Aug. 7, 2009; Mailed Apr. 11, 2012.
 Harris, Raymond E., "NonFinal OA", U.S. Appl. No. 12/537,961, filed Aug. 17, 2009; Mailed Jul. 17, 2012.
 Lee, Cheol Soo "International Search Report", PCT/US2012/032122; Filed Apr. 4, 2012; Mailed Nov. 1, 2012.
 Harris, Raymond E., "Final OA", U.S. Appl. No. 12/537,961, filed Aug. 7, 2009; Mailed Nov. 21, 2012.
 Byun, Sung C., "PCT Search Report", PCT No. PCT/US2012/052079; Filed Aug. 23, 2012; Mailed Dec. 26, 2012.
 Hicks, Victoria "NonFinal OA", U.S. Appl. No. 13/116,473, filed May 26, 2011; Mailed May 16, 2013.
 Haden, Sally C., "Final OA", U.S. Appl. No. 13/925,617, filed Jun. 24, 2013; Mailed Dec. 3, 2013.
 Haden, Sally C., "Final OA", U.S. Appl. No. 13/925,617, filed Jun. 24, 2007; Mailed Dec. 3, 2013.
 Fitts, Carissa "NonFinal OA", U.S. Appl. No. 29/404,295, filed Oct. 18, 2011; Mailed Jul. 1, 2014.
 Lee, Jong Kyung "PCT Search Report and Written Opinion", PCT/US2014/023432; Filed Mar. 11, 2014; Mailed Jul. 10, 2014.
 Haden, Sally C., "NonFinal OA", U.S. Appl. No. 13/925,617, filed Jun. 24, 2013; Mailed Aug. 13, 2014.
 Vanatta, Amy "Non-Final Office Action", U.S. Appl. No. 12/720,360, filed Mar. 9, 2010; Mailed Oct. 11, 2011.

(56)

References Cited

OTHER PUBLICATIONS

Haden, Sally C., "NonFinal OA", U.S. Appl. No. 13/276,232, filed Oct. 18, 2011; Mailed Apr. 8, 2013.

Haden, Sally C., "Final OA", U.S. Appl. No. 13/276,232, filed Oct. 18, 2011; Mailed Jul. 17, 2013.

Haden, Sally C., "NonFinal OA", U.S. Appl. No. 13/925,617, filed Jun. 24, 2013; Mailed Aug. 14, 2013.

Fitts, Carissa "NonFinal OA", U.S. Appl. No. 29/404,296, filed Oct. 8, 2011; Mailed Oct. 9, 2014.

Blue Medical Gown; Manufactured by Medline Industries, Inc.; Unknown availability date but believed to be prior to 1999.

Fitts, Carissa "Final OA", U.S. Appl. No. 29/404,295, filed Oct. 18, 2011; Mailed Feb. 19, 2015.

Mcvey, Lauren "NonFinal OA", U.S. Appl. No. 29/459,047, filed Jun. 25, 2013; Mailed Apr. 23, 2015.

Mcvey, Lauren "Notice of Allowance", U.S. Appl. No. 29/459,060, filed Jun. 25, 2013; Mailed Apr. 23, 2015.

McVey, Lauren D., "NonFinal OA", U.S. Appl. No. 29/467,619, filed Sep. 20, 2013; Mailed May 20, 2015.

McVey, Lauren "NonFinal OA", U.S. Appl. No. 29/467,612, filed Sep. 20, 2013; Mailed Jun. 5, 2015.

McVey, Lauren "Notice of Allowance", U.S. Appl. No. 29/467,620, filed Sep. 20, 2013; Mailed Jun. 23, 2015.

McVey, Lauren "NonFinal OA", U.S. Appl. No. 29/467,603, filed Sep. 30, 2015; Mailed Jun. 30, 2015.

Fitts, Carissa "Final OA", U.S. Appl. No. 29/404,296, filed Oct. 18, 2011; Mailed Jul. 2, 2015.

McVey, Lauren "NonFinal OA", U.S. Appl. No. 29/467,625, filed Sep. 20, 2013; Mailed Jul. 29, 2015.

McVey, Lauren "NonFinal OA", U.S. Appl. No. 29/467,616, filed Sep. 20, 2013; Mailed Jun. 17, 2015.

Cline, Sally "Restriction Req", U.S. Appl. No. 13/804,565, filed Mar. 14, 2013; Mailed Aug. 13, 2015.

McVey, Lauren "NonFinal OA", U.S. Appl. No. 29/467,621, filed Sep. 20, 2013; Mailed Aug. 26, 2015.

The visual dictionary. <RURL: http://www.infovisual.info/06/049_en.html> Jun. 1, 2013. types of cuffs.

Fashion Flats, <URL: http://fashion-flats.com/images/1_details_set_in_sleeves.jpg> Visited by Examiner May 21, 2015; Types of set-in sleeves.

"Publication", Fashion Flats by Garment Element; By Art Design Projects Inc.; www.fashioncroquis.com; visited May 21, 2015; types of raglan sleeves.

Wu, Jocelyn Mary "NonFinal OA", U.S. Appl. No. 14/086,798, filed Nov. 21, 2013; Mailed Sep. 24, 2015.

McVey, Lauren "Final OA", U.S. Appl. No. 29/467,619, filed Sep. 20, 2013; Mailed Oct. 20, 2015.

McVey, Lauren "Final OA", U.S. Appl. No. 29/459,047, filed Jun. 25, 2013; Mailed Sep. 24, 2015.

Haden, Sally C., "NonFinal OA", U.S. Appl. No. 13/804,565, filed Mar. 14, 2013; Mailed Oct. 29, 2015.

McVey, Lauren "Final Oa", U.S. Appl. No. 29/467,616, filed Sep. 20, 2013; Mailed Nov. 3, 2015.

Haden, Sally "NonFinal OA", U.S. Appl. No. 13/925,598, filed Jun. 24, 2013; Mailed Dec. 15, 2015.

Fitts, Carissa "NonFinal OA", U.S. Appl. No. 29/467,622, filed Sep. 20, 2013; Mailed Dec. 30, 2015.

Haden, Sally "NonFinal Oa", U.S. Appl. No. 13/925,532, filed Jun. 24, 2013; Mailed Jan. 8, 2016.

Walshon, Rashida "NonFinal OA", U.S. Appl. No. 29/506,290, filed Oct. 14, 2014; Mailed Jan. 20, 2016.

"Final OA", U.S. Appl. No. 14/086,798, filed Nov. 21, 2013; Mailed Feb. 1, 2016.

Rakuten. <URL: [http://global.rakuten.com/en/store/753ya/itenn/100131328/\[2/4/2016%201:51:48%20PM\]](http://global.rakuten.com/en/store/753ya/itenn/100131328/[2/4/2016%201:51:48%20PM])>. Visited Feb. 4, 2016. Hada-Juban.

Vintage Patterns Wikia. <URL: https://vintagepatterns.wikia.com/wiki/Butterick_5374> visited Dec. 9, 2015. Butterick 5374—Vintage Sewing Blouse Pattern.

Jendela Sastra. <URL: <http://www.jendelasatra.com/karya/puisi/hadajuban-dalam-kimono>>. Poem with picture published Jan. 10, 2014. Hadajuban (first layer of kimono).

Sakura-San. <URL: <http://www.sakura-san.de/Juban.htm>> Saved Jul. 12, 2013. Juban Furisode and Hada-Juban layers for kimono.

Go Japan Go. <URL: http://www.gojapangp.com/fashion/hadajuban_kimono.html>. Visited Feb. 4, 2016. Hadajuban.

McVey, Lauren "Final OA", U.S. Appl. No. 29/467,603, filed Sep. 20, 2013; Mailed Feb. 10, 2016.

Disposable Medical Gown; Elastic Cuffs; Salamint, posted at salaaming.com, posting date n/a, copyright 2015 salamin.com, online, site visit Mar. 11, 2016; Available from <https://www.salamint.com/productdetail.aspx?id=358>.

Wright, Jennifer "NonFinal OA", U.S. Appl. No. 29/506,294, filed Oct. 14, 2014; Mailed Mar. 28, 2016.

Disposable Medical Gown; Thumb Loop Plastic Disposable Medical Surgical Gown, posting date n/a, copyright 1999-2016 alibaba.com; site visited Mar. 11, 2016, available from http://www.alibaba.com/product-detail/CPE-Gown-Thumb-loop-White-color_60043196775.html.

McVey, Lauren "Final OA", U.S. Appl. No. 29/467,621, filed Sep. 20, 2013; Mailed Apr. 11, 2016.

Fitts, Carissa "NonFinal OA", U.S. Appl. No. 29/404,296, filed Oct. 18, 2011; Mailed Apr. 22, 2016.

Definition of Progressive. Merriam-Webster. Merriam-Webster, n.d. Web. 17 May 2016.

Haden, Sally C., "Final OA", U.S. Appl. No. 13/804,565, filed Mar. 14, 2013; Mailed May 19, 2016.

Haden, Sally Cline "NonFinal OA", U.S. Appl. No. 13/925,53, filed Jun. 24, 2013; Mailed May 23, 2016.

Haden, Sally Cline "NonFinal OA", U.S. Appl. No. 13/925,598, filed Jun. 24, 2013; Mailed May 24, 2016.

"Appeal Decision", U.S. Appl. No. 13/276,232, filed Oct. 18, 2011; Mailed May 31, 2016.

Fitts, Carissa "Final OA", U.S. Appl. No. 29/467,622, filed Sep. 20, 2013; Mailed Jul. 12, 2016.

Walshon, Rashida "Final OA", U.S. Appl. No. 29/506,290, filed Oct. 14, 2014; Mailed Jul. 28, 2016.

McVey, Lauren "Notice of Allowance", U.S. Appl. No. 29/467,616, filed Sep. 20, 2013; Mailed Aug. 10, 2016.

McVey, Lauren "Notice of Allowance", U.S. Appl. No. 29/459,047, filed Jun. 25, 2013; Mailed Aug. 11, 2016.

Haden, Sally "NonFinal OA", U.S. Appl. No. 13/276,232, filed Oct. 18, 2011; Mailed Aug. 11, 2016.

Haden, Sally "Final OA", U.S. Appl. No. 13/925,598, filed Jun. 24, 2013; Mailed Sep. 6, 2016.

Wright, Jennifer "NonFinal OA", U.S. Appl. No. 29/506,294, filed Oct. 14, 2014; Mailed Sep. 23, 2016.

Haden, Sally Cline "Final OA", U.S. Appl. No. 13/925,532, filed Jun. 24, 2013; Mailed Sep. 26, 2016.

Fitts, Carissa "Notice of Allowance", U.S. Appl. No. 29/404,296, filed Oct. 18, 2011; Mailed Oct. 7, 2016.

McVey, Lauren "Notice of Allowance", U.S. Appl. No. 29/459,047, filed Jun. 25, 2013; Mailed Oct. 19, 2016.

McVey, Lauren "Notice of Allowance", U.S. Appl. No. 29/467,621, filed Sep. 20, 2013; Mailed Oct. 20, 2016.

* cited by examiner

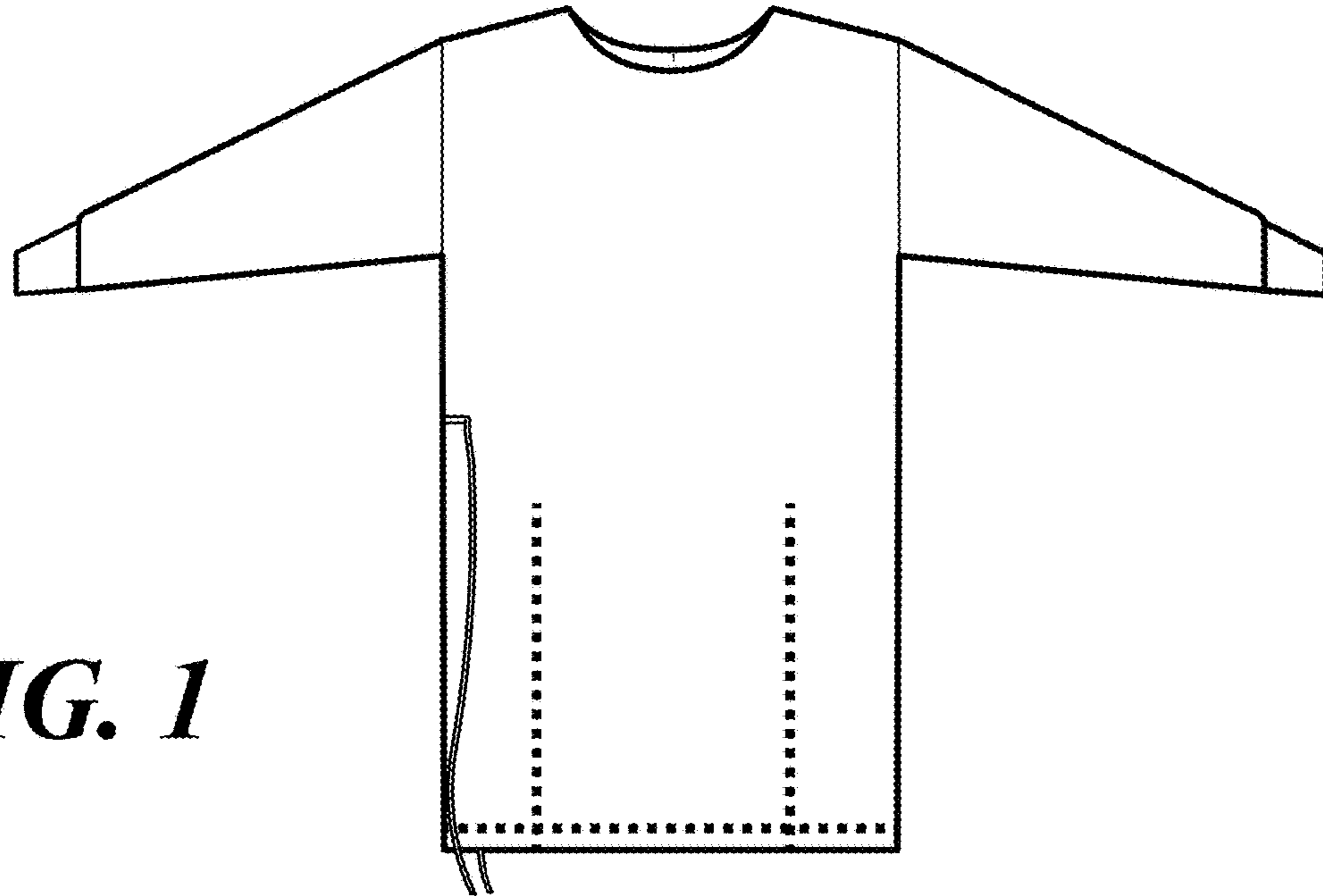


FIG. 1

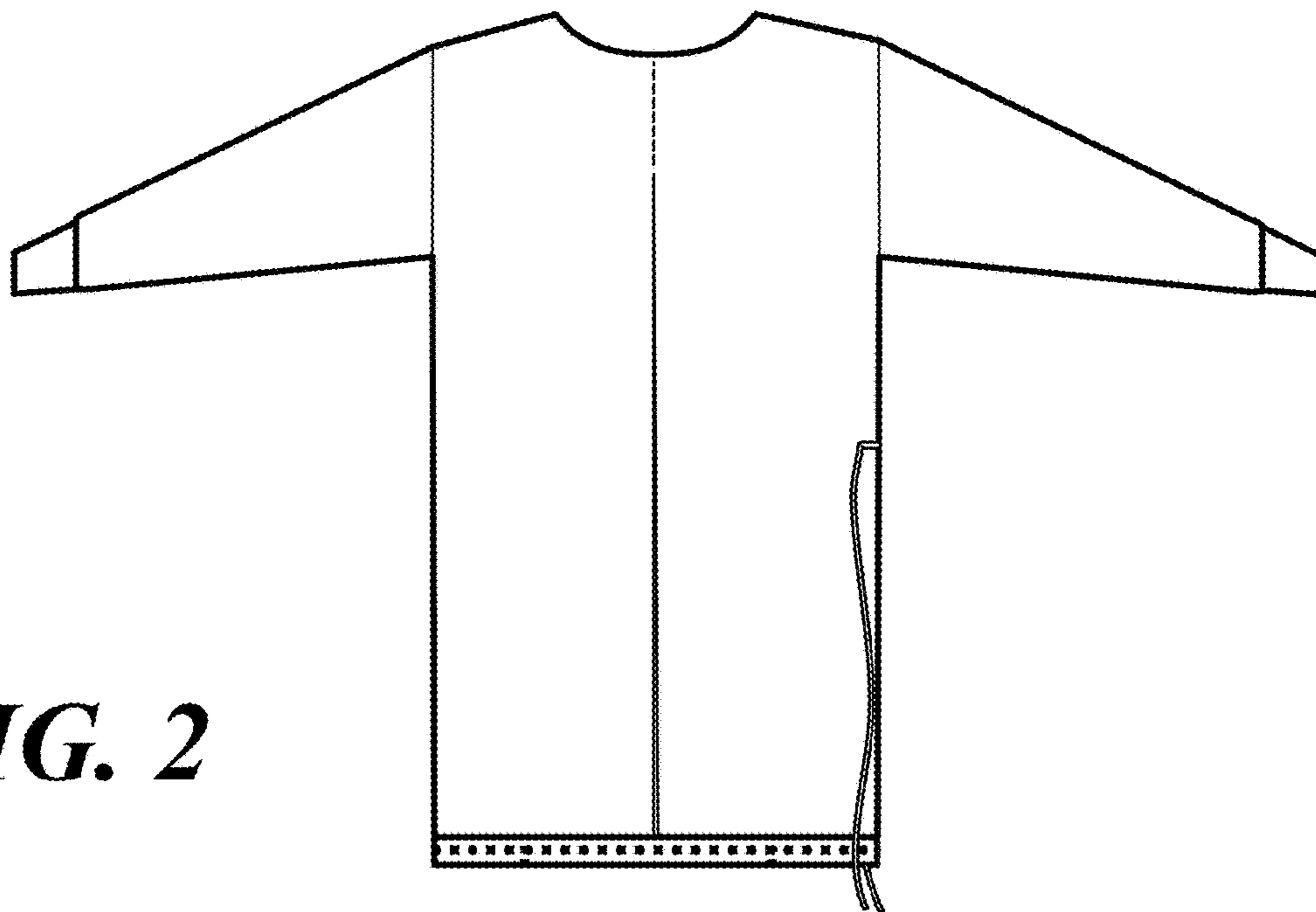


FIG. 2

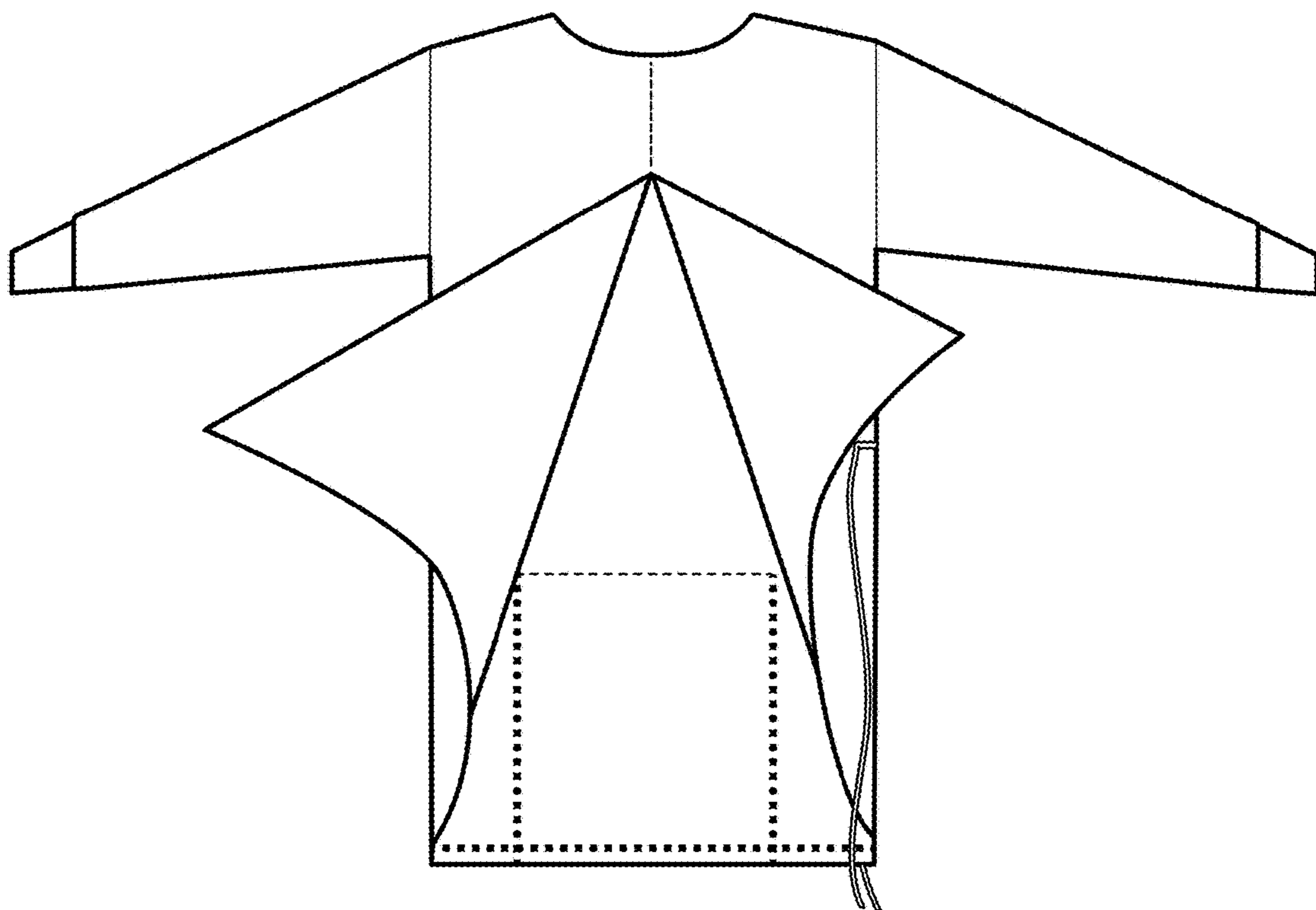


FIG. 3

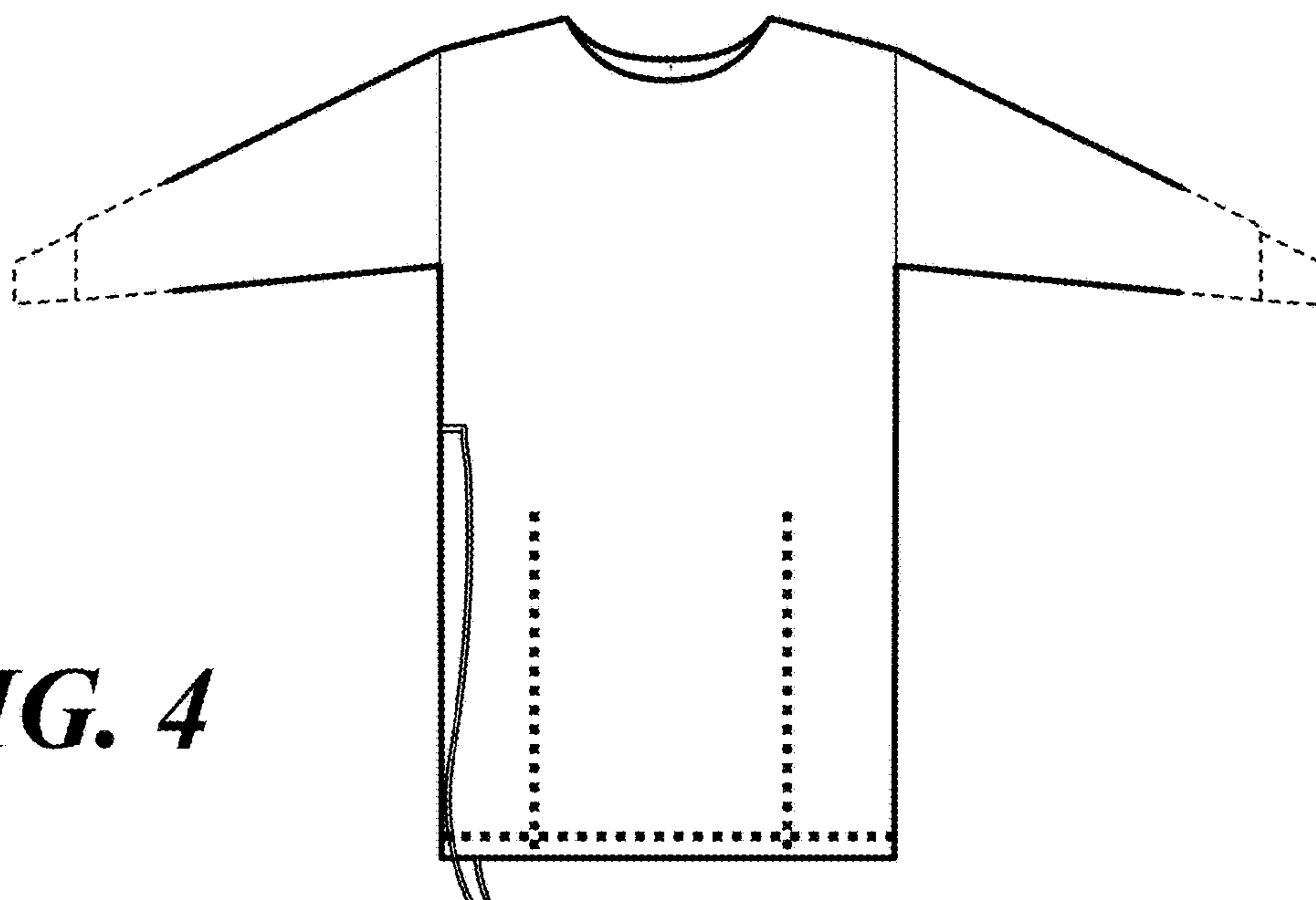


FIG. 4

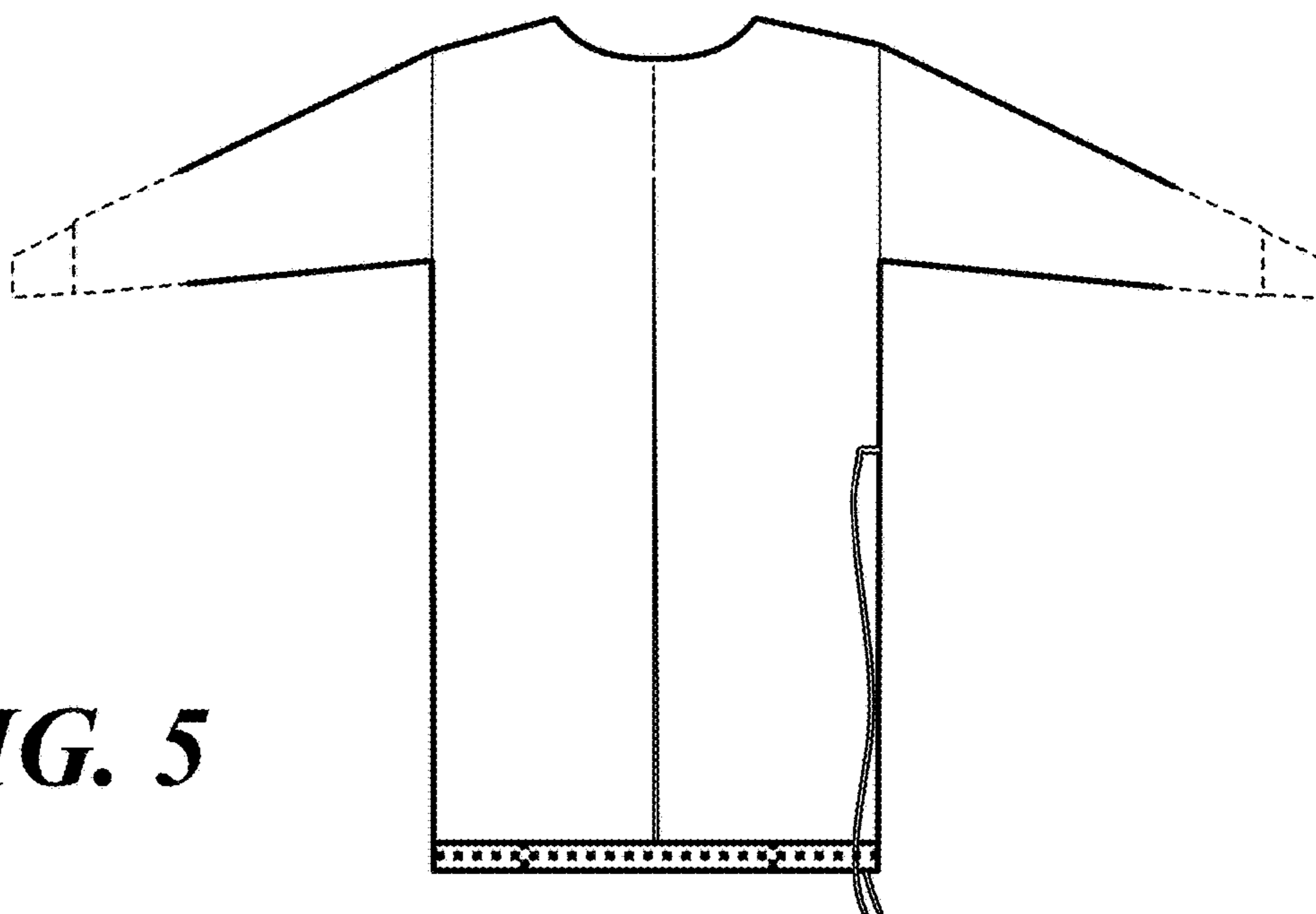


FIG. 5

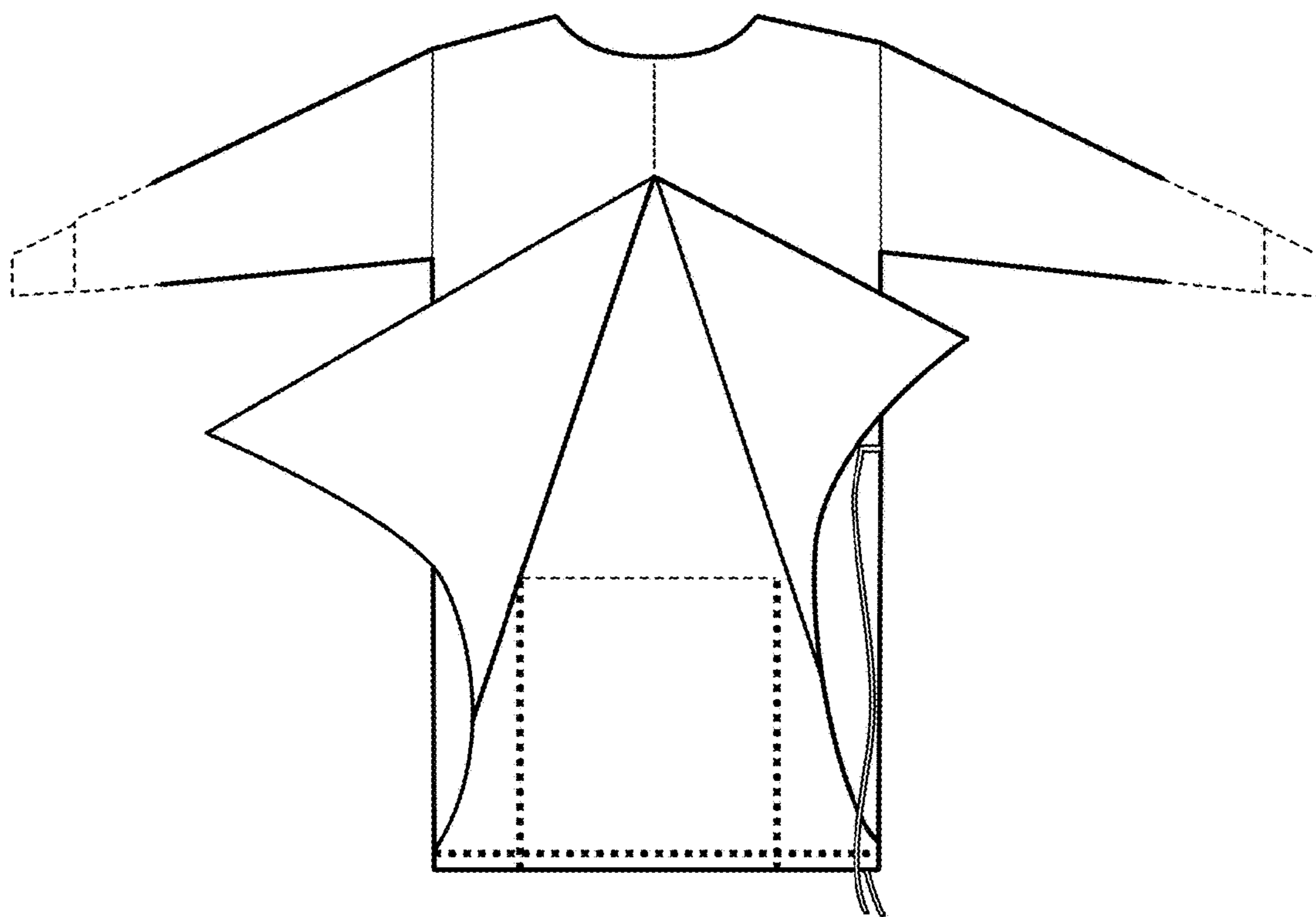


FIG. 6