



US00D791433S

(12) **United States Design Patent** (10) **Patent No.:** **US D791,433 S**
Akkad (45) **Date of Patent:** **** Jul. 11, 2017**

(54) **ROLL UP CHARACTER PILLOW AND SLEEPING BAG COMBINATION**

(71) Applicant: **Idea Nuova, Inc.**, New York, NY (US)

(72) Inventor: **Benjamin S. Akkad**, New York, NY (US)

(73) Assignee: **Idea Nuova, Inc.**, New York, NY (US)

(**) Term: **15 Years**

(21) Appl. No.: **29/560,671**

(22) Filed: **Apr. 8, 2016**

(51) **LOC (10) Cl.** **02-01**

(52) **U.S. Cl.**
USPC **D2/719**

(58) **Field of Classification Search**
USPC D2/719, 741; D6/589, 595, 596, 598,
D6/601-603, 617, 609; D21/803-809,
D21/584-588
CPC A47G 9/08; A47G 9/083; A47G 9/086
See application file for complete search history.

(56) **References Cited**

U.S. PATENT DOCUMENTS

D445,623 S *	7/2001	Hartner	D21/576
6,343,968 B1 *	2/2002	Louie	A45F 4/08
				2/69.5
D522,788 S *	6/2006	Keller	D6/598
D528,339 S *	9/2006	Keller	D6/598
7,171,707 B2 *	2/2007	Landay	A47G 9/086
				190/2
D571,595 S *	6/2008	Schasteen	D6/598
D665,613 S *	8/2012	Lee	D21/616
D665,614 S *	8/2012	Lee	D21/654
D679,479 S *	4/2013	Carrera	D2/719
D688,331 S *	8/2013	Dalton	D21/576
D726,449 S *	4/2015	Faley	D21/611
D745,937 S *	12/2015	van der Lande	D21/604
2002/0144351 A1 *	10/2002	Fujii	A47G 9/1045
				5/639

OTHER PUBLICATIONS

Paw Patrol Sleeping Bag with Bonus Cuddle Pillow, posted at walmart.com, earliest date reviewed Nov. 20, 2015, [online], acquired on Mar. 1, 2017. Available from Internet, <URL: https://www.walmart.com/ip/Paw-Patrol-3D-Figural-Pillow-with-Sleeping-Bag/46002356>.*

12" Flopsie Chimp Monkey, posted at amazon.com, earliest date reviewed Jan. 14, 2011, [online], acquired on Mar. 16, 2017. Available from Internet, <URL: https://www.amazon.com/Aurora-31423-Flopsie-Chimp-Monkey/dp/B003231HVI/ref=cm_cr_arpd_product_top?ie=UTF8>.*

* cited by examiner

Primary Examiner — Cathron Brooks

Assistant Examiner — Aula Soroush

(74) *Attorney, Agent, or Firm* — Panitch Schwarze Belisario & Nadel LLP

(57) **CLAIM**

The ornamental design for a roll up character pillow and sleeping bag combination, as shown and described.

DESCRIPTION

FIG. 1 is a front perspective view of a roll up character pillow and sleeping bag combination in accordance with my new design;

FIG. 2 is a front elevation view thereof;

FIG. 3 is a rear elevation view thereof;

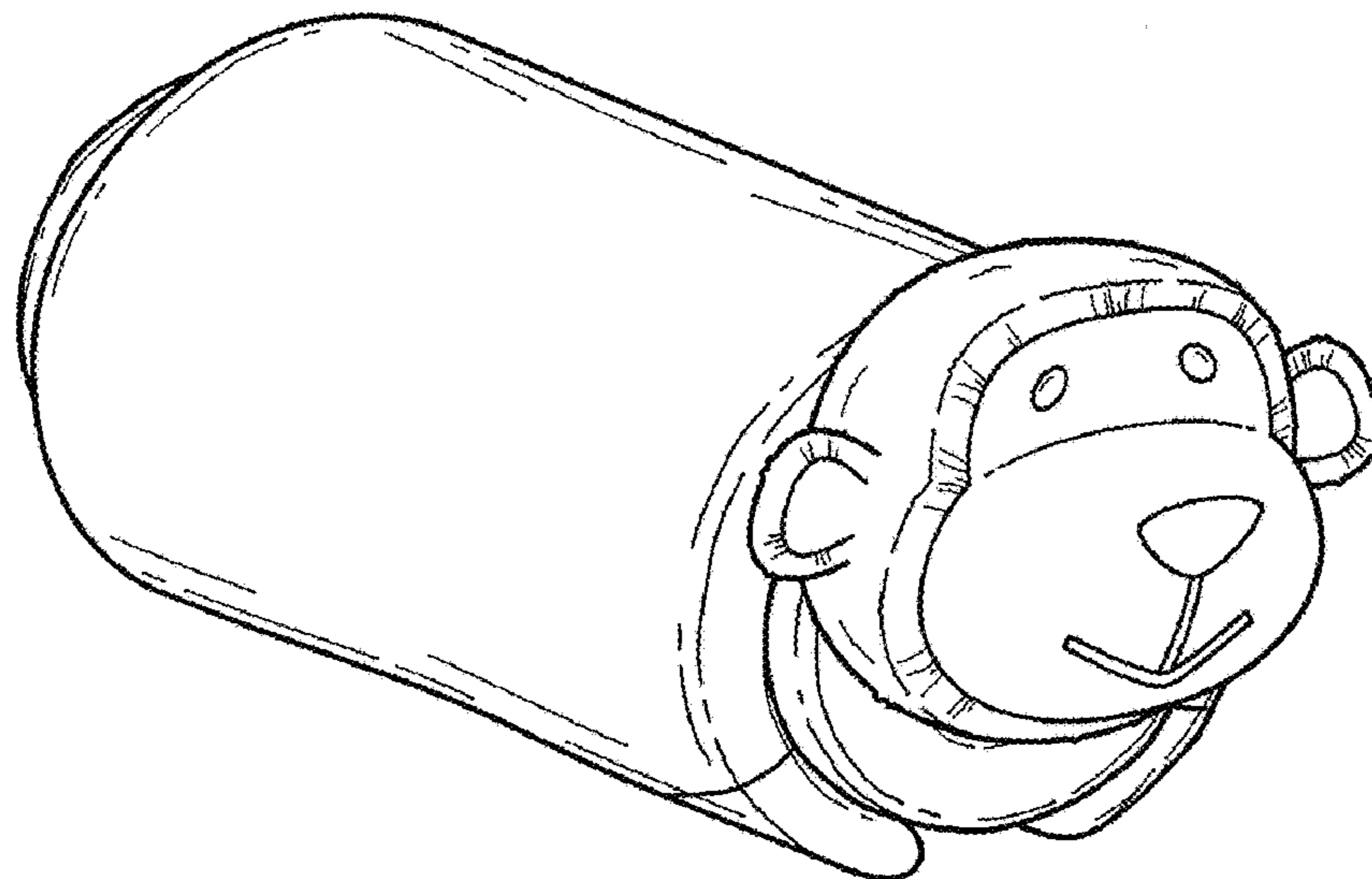
FIG. 4 is a right side elevation view thereof, a left side elevation view being a mirror image thereof;

FIG. 5 is a top plan view thereof; and,

FIG. 6 is a bottom plan view thereof.

The broken lines in the figures are for the purpose of showing environmental structure and form no part of the claimed design.

1 Claim, 2 Drawing Sheets



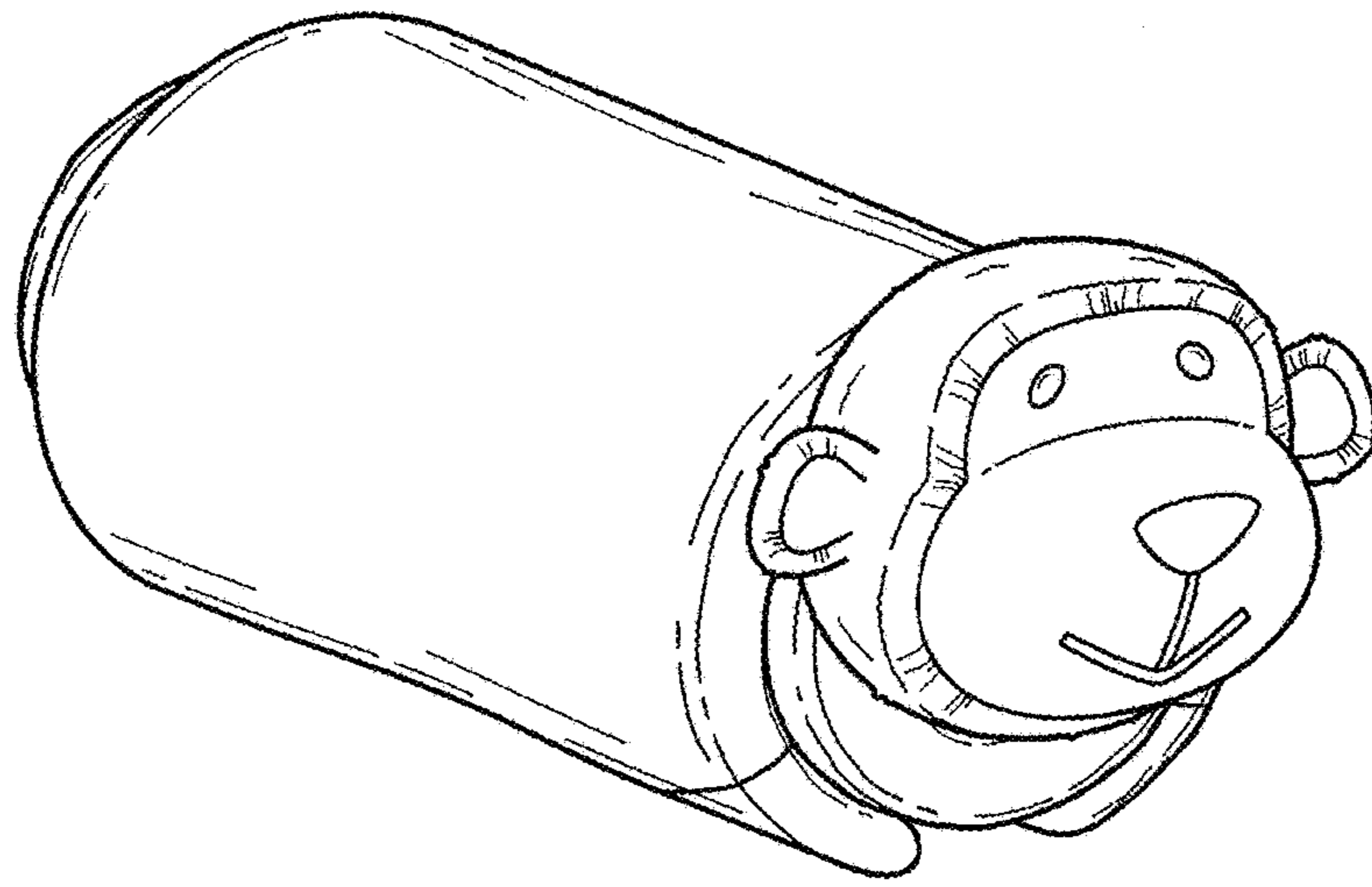


FIG. 1

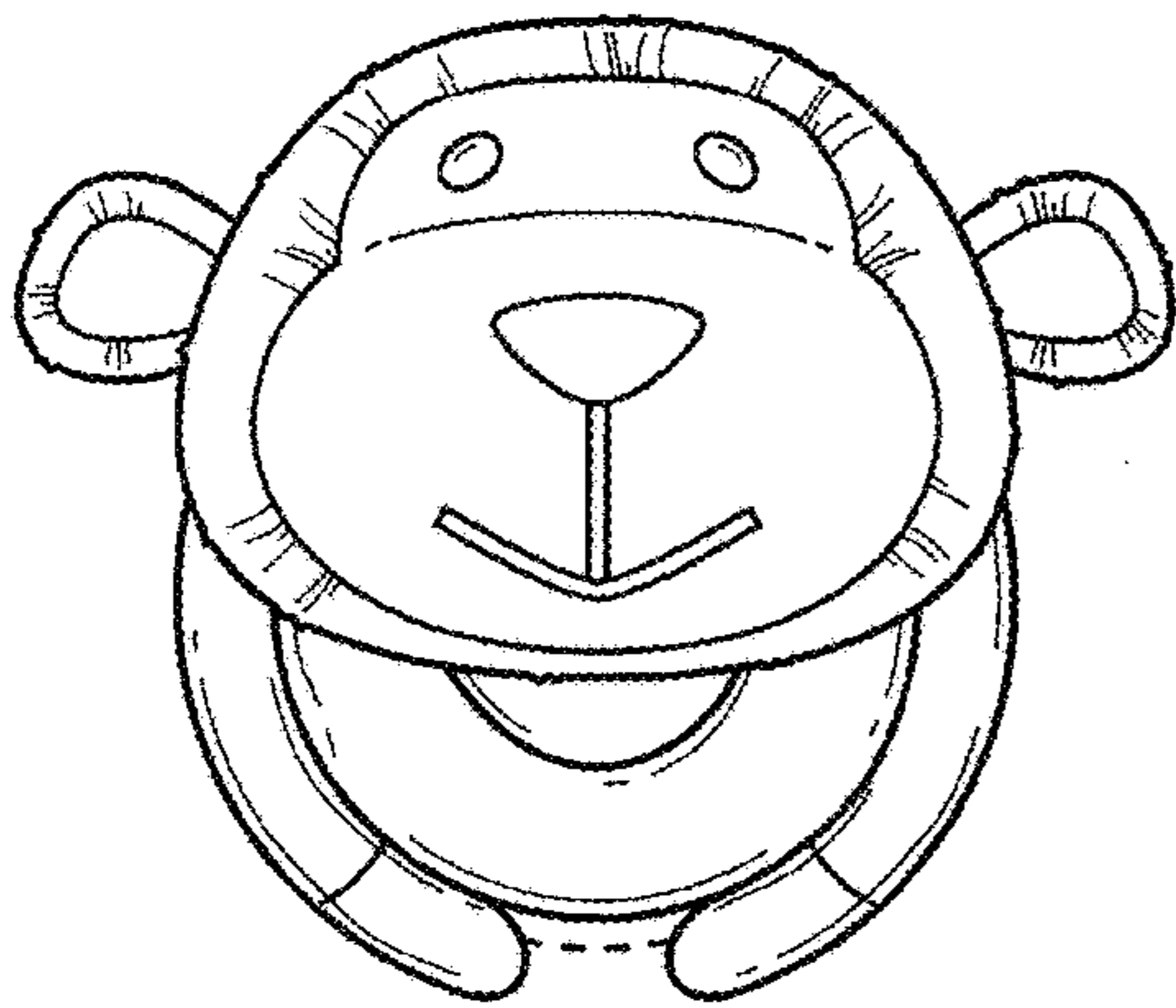


FIG. 2

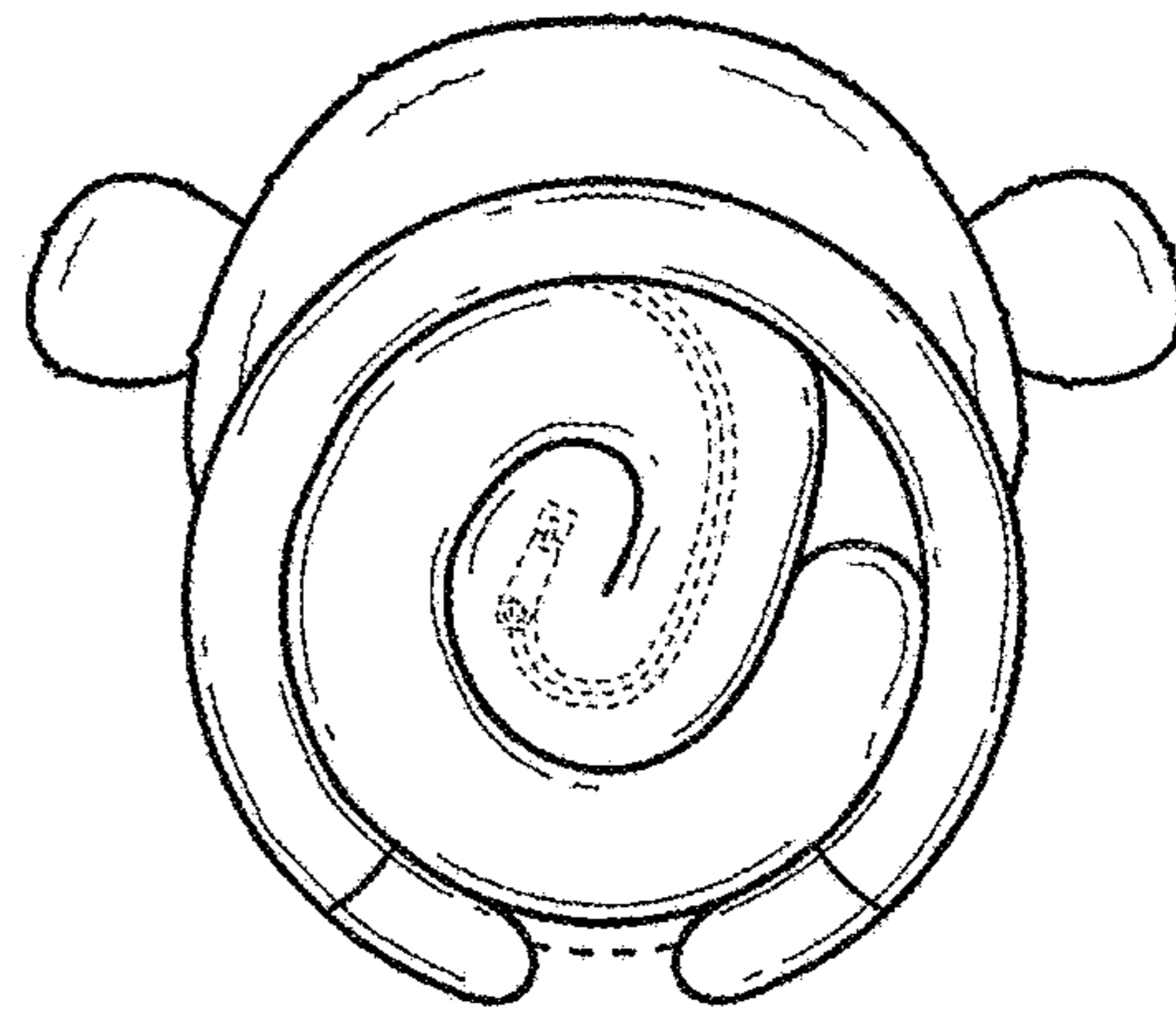


FIG. 3

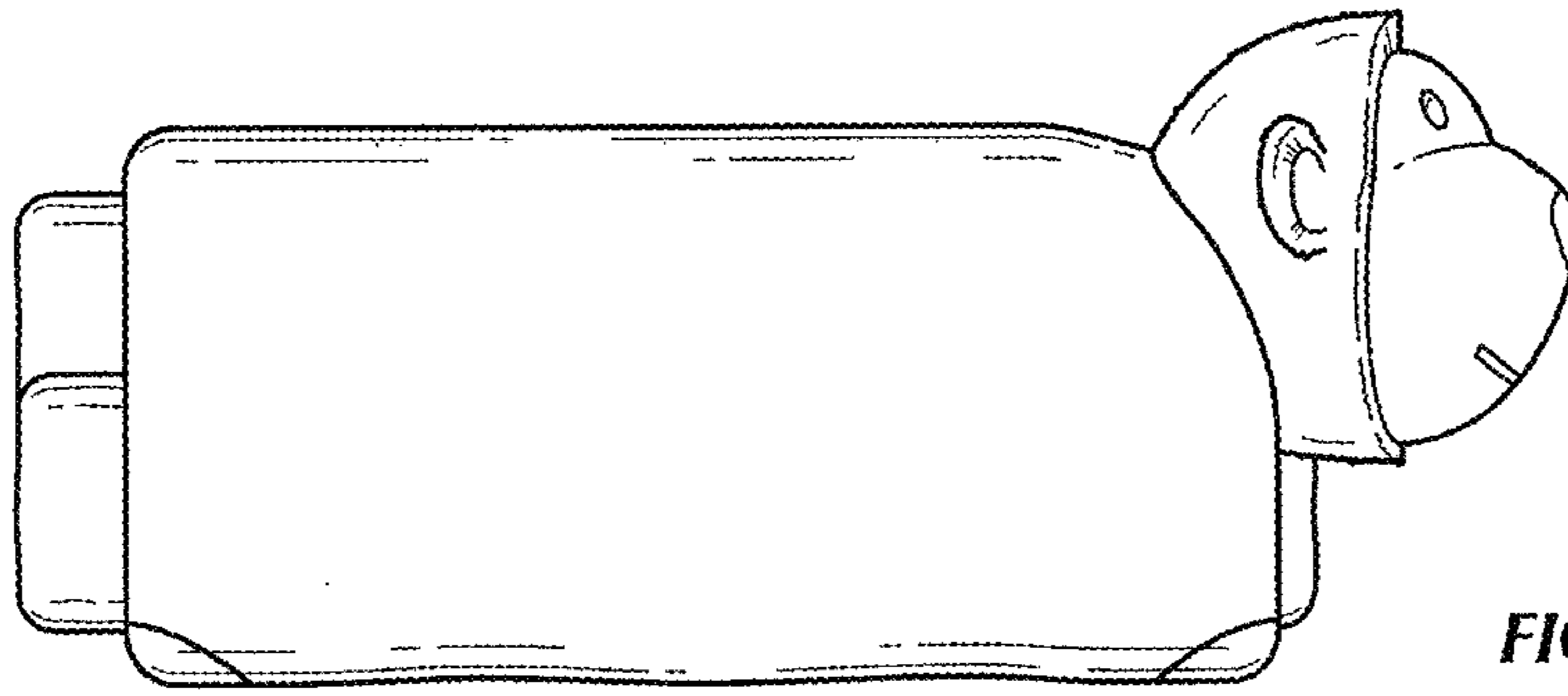


FIG. 4

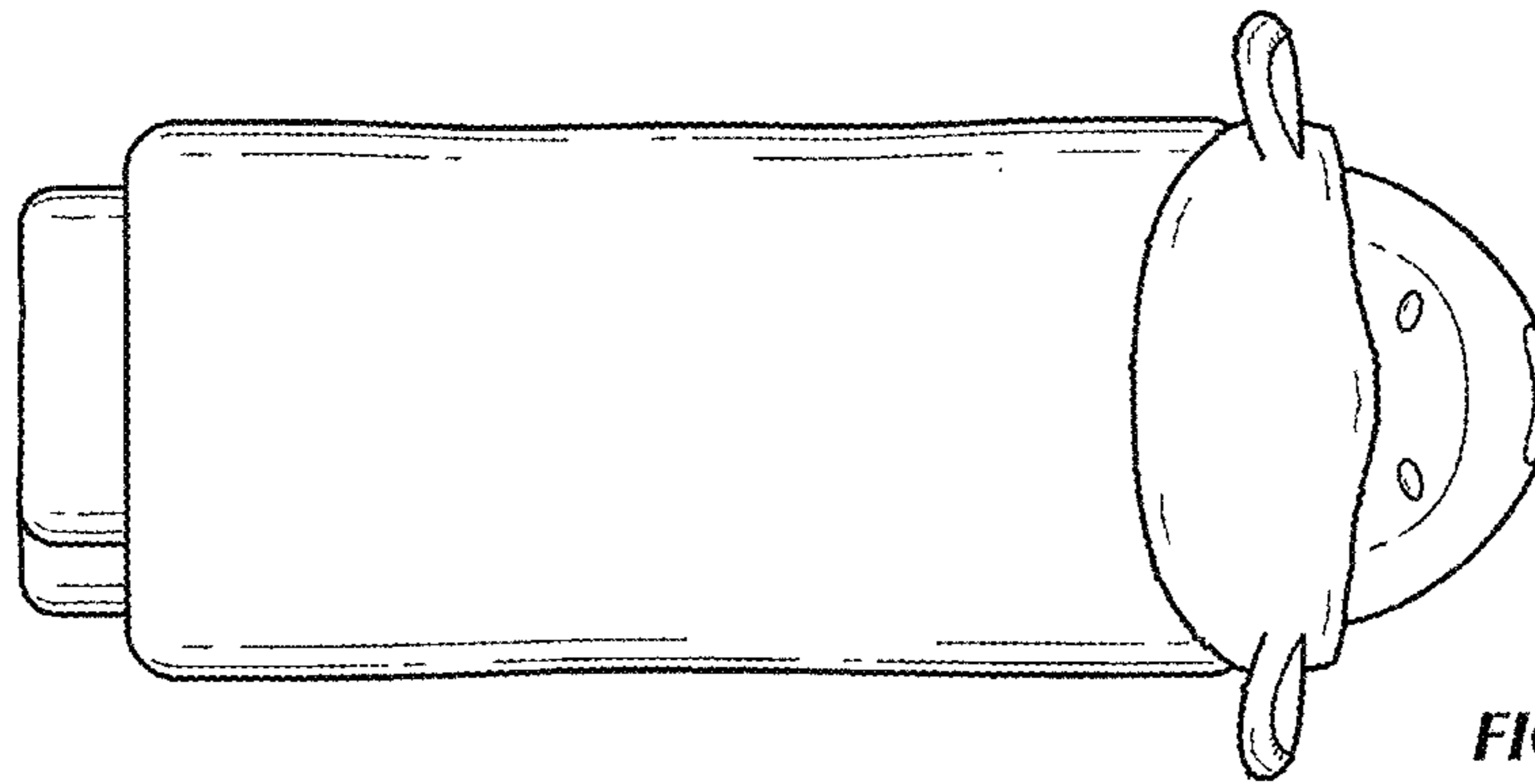


FIG. 5

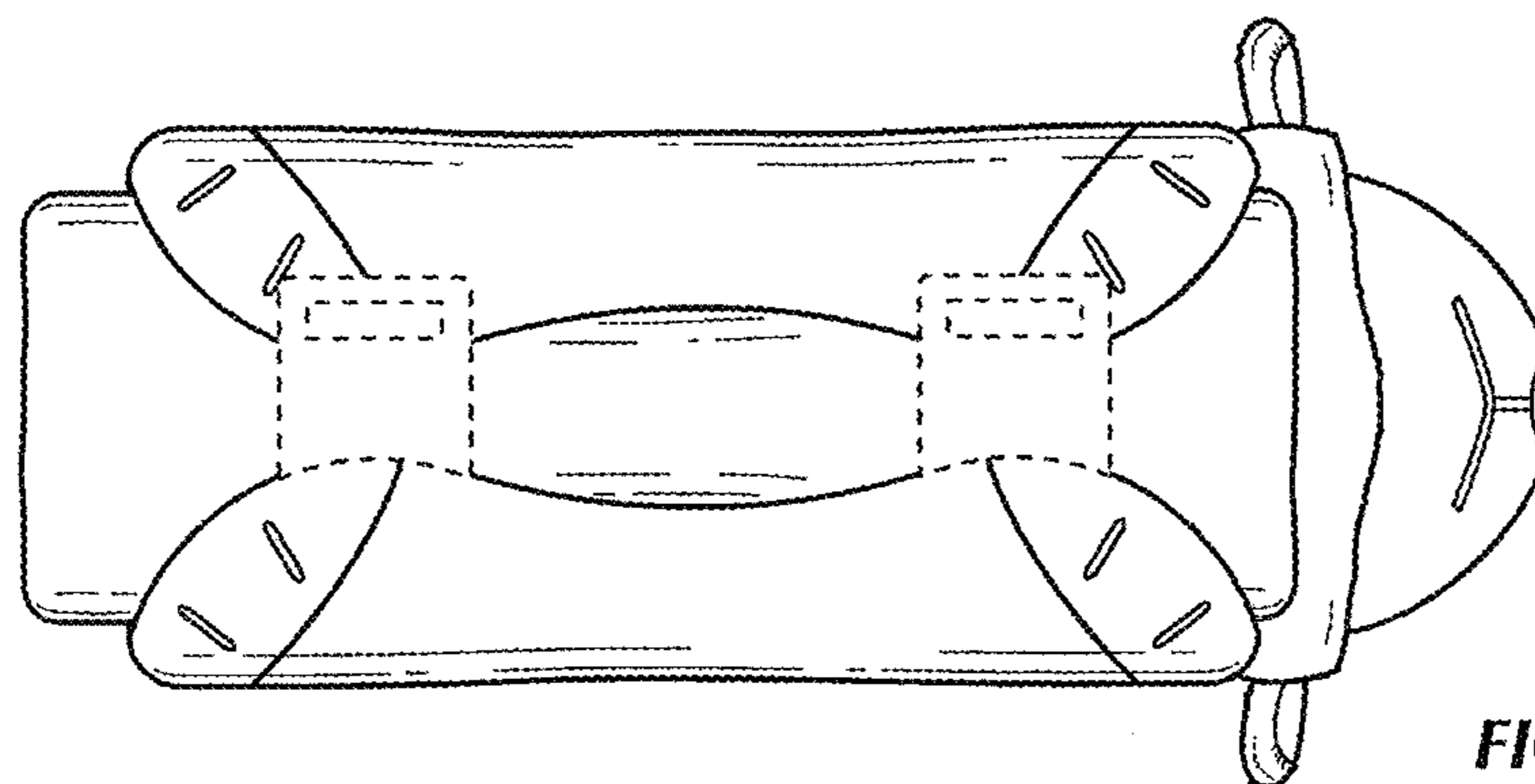


FIG. 6