



US00D791431S

(12) **United States Design Patent** (10) **Patent No.:** **US D791,431 S**
Tingler (45) **Date of Patent:** **** Jul. 11, 2017**

(54) **HAND WARMER**
(71) Applicant: **Delmer Tingler**, Petroleum, WV (US)
(72) Inventor: **Delmer Tingler**, Petroleum, WV (US)
(**) Term: **15 Years**
(21) Appl. No.: **29/556,514**
(22) Filed: **Mar. 1, 2016**
(51) **LOC (10) Cl.** **02-99**
(52) **U.S. Cl.**
USPC **D2/611**
(58) **Field of Classification Search**
USPC D2/610, 611, 613, 614, 622, 629;
D3/218, 219, 221, 222, 224, 226, 227,
D3/228; D11/3, 4, 5, 87; D14/344;
D24/190, 206
CPC A41D 19/00; A41D 19/01; A41D 27/28;
A41D 27/00; A41D 13/08; A41D 27/20;
A41D 13/05; F24J 1/00; A45C 11/00;
A45C 13/30; A45F 5/00
See application file for complete search history.

(56) **References Cited**
U.S. PATENT DOCUMENTS
D3,946 S * 3/1870 Seldis D2/611
924,545 A * 6/1909 Emmert A41D 13/08
2/162
2,727,241 A 12/1955 Smith
3,245,405 A * 4/1966 Gardner A61F 5/05816
128/DIG. 20
4,408,355 A 10/1983 Brock
4,736,088 A 4/1988 Bart
D300,984 S 5/1989 Carter
4,893,357 A 1/1990 Evans
D365,640 S * 12/1995 Doyle D24/206
5,499,401 A 3/1996 Heinmiller
D417,938 S 12/1999 Brandt
D431,343 S * 10/2000 Sampson D2/610

D444,240 S * 6/2001 Bautista, Jr. D24/206
D454,198 S * 3/2002 Lamping D24/190
D473,948 S * 4/2003 Elkins D24/206
6,875,963 B2 4/2005 Rock
D545,442 S * 6/2007 Weeks D24/190
8,217,318 B1 7/2012 Wood-Putnam
2008/0022430 A1 * 1/2008 Myers A41D 5/00
2/66
2008/0053979 A1 3/2008 Toya
2011/0179542 A1 * 7/2011 Khuong A41D 13/088
2/16
2012/0193347 A1 * 8/2012 Schwartz F24J 1/00
219/482

FOREIGN PATENT DOCUMENTS

CN 201404345 2/2010

OTHER PUBLICATIONS

Sunbeam Cozy Spot Heated Hand Warmer, posted at Qvc.com, posted on Dec. 18, 2014, [online], [site visited Feb. 1, 2017]. Available from Internet, <URL: <http://www.qvc.com/Sunbeam-Cozy-Spot-Heated-Hand-Warmer.product.V33074.html>>.*

(Continued)

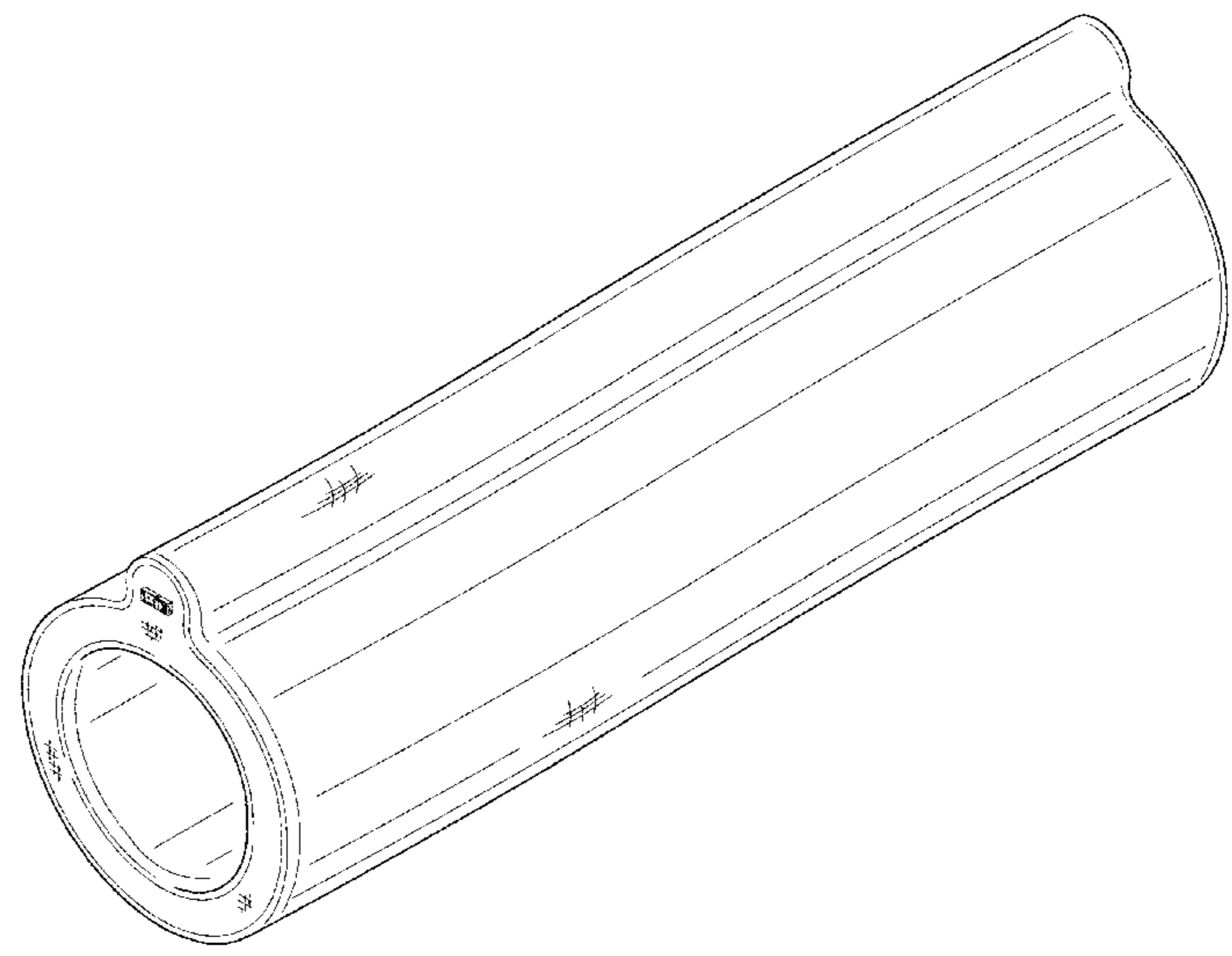
Primary Examiner — Thomas Johannes
Assistant Examiner — Catherine Ho

(57) **CLAIM**
I claim the ornamental design for a hand warmer, as shown and described.

DESCRIPTION

FIG. 1 is a front view of the hand warmer.
FIG. 2 is a left side view of the claimed design.
FIG. 3 is a right side view of the claimed design.
FIG. 4 is a top view of the claimed design.
FIG. 5 is a bottom view of the claimed design; and,
FIG. 6 is a perspective view of the claimed design.

1 Claim, 4 Drawing Sheets



(56)

References Cited

OTHER PUBLICATIONS

Cutters Hand Warmer, posted at Amazon.com, posted on Nov. 28, 2011 , [online], [site visited Feb. 1, 2017]. Available from Internet, <URL: <https://www.amazon.com/Cutters-Hand-Warmer-Black-Youth/dp/B004EYE8YM>>.*

True Glow, posted at Amazon.com, posted on Jul. 1, 2014 , [online], [site visited Feb. 1, 2017]. Available from Internet, <URL: <https://www.amazon.com/True-Conair-Heated-Beauty-Mitts/dp/B00DO441JA>>.*

God's Hand, posted at Amazon.com, posted on Jan. 7, 2016 , [online], [site visited Feb. 1, 2017]. Available from Internet, <URL: <https://www.amazon.com/Gods-Hand-Arrival-Purpose-Cushion/dp/B016OFXALA>>.*

* cited by examiner

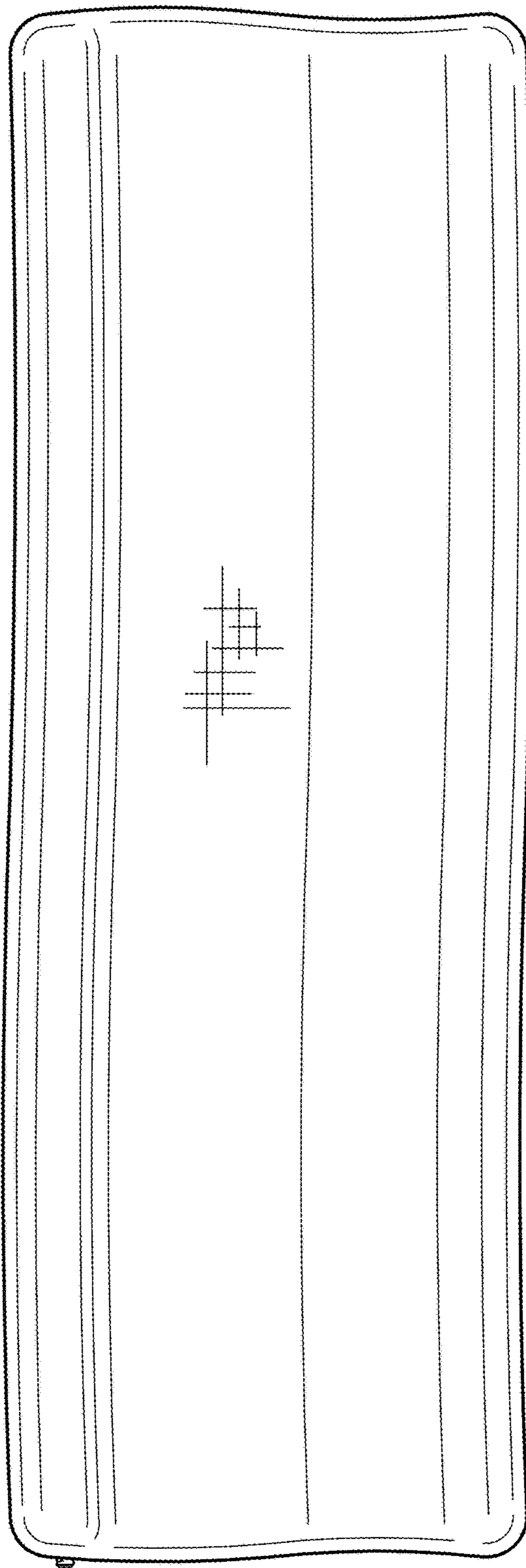


FIG. 1

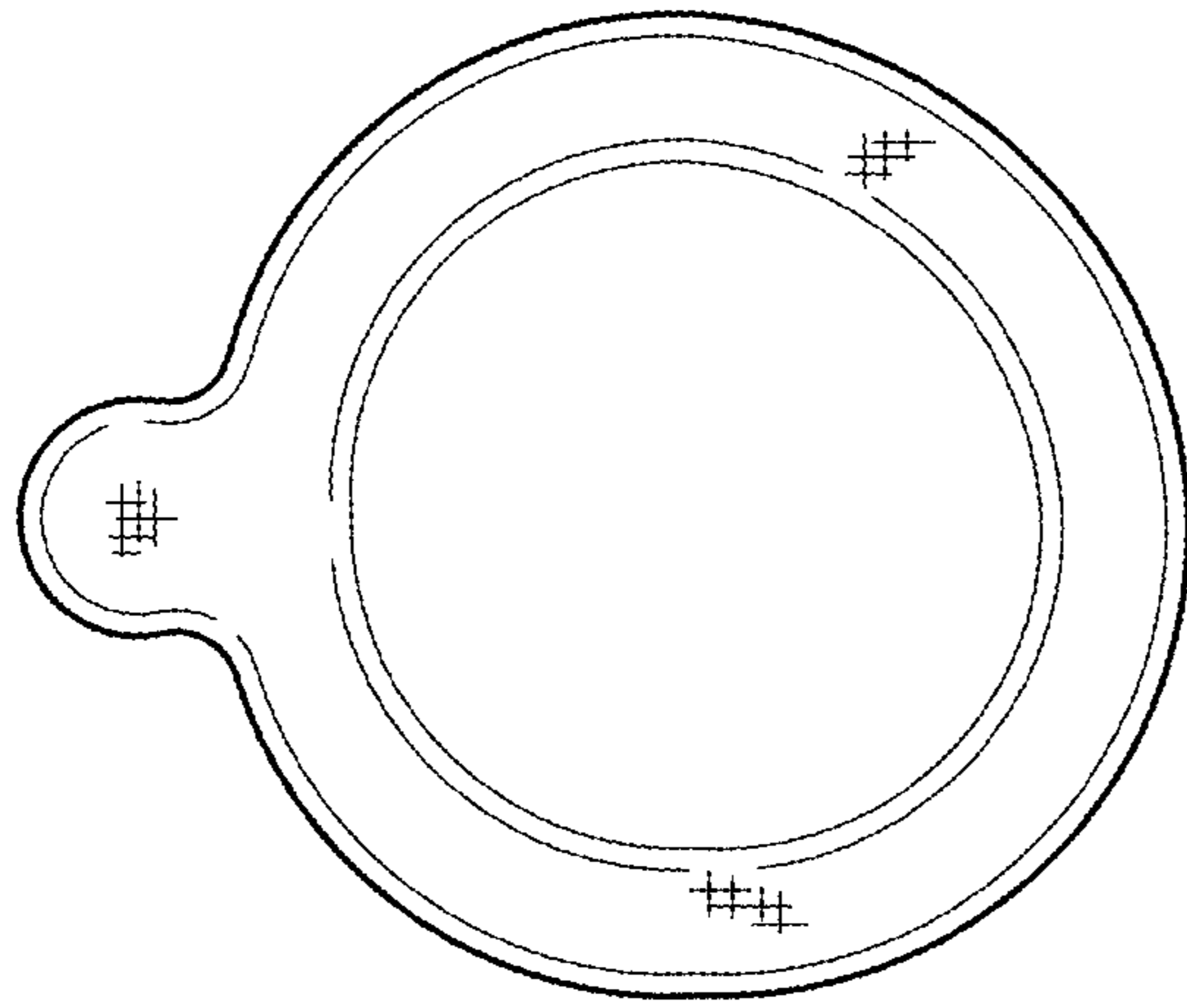


FIG. 3

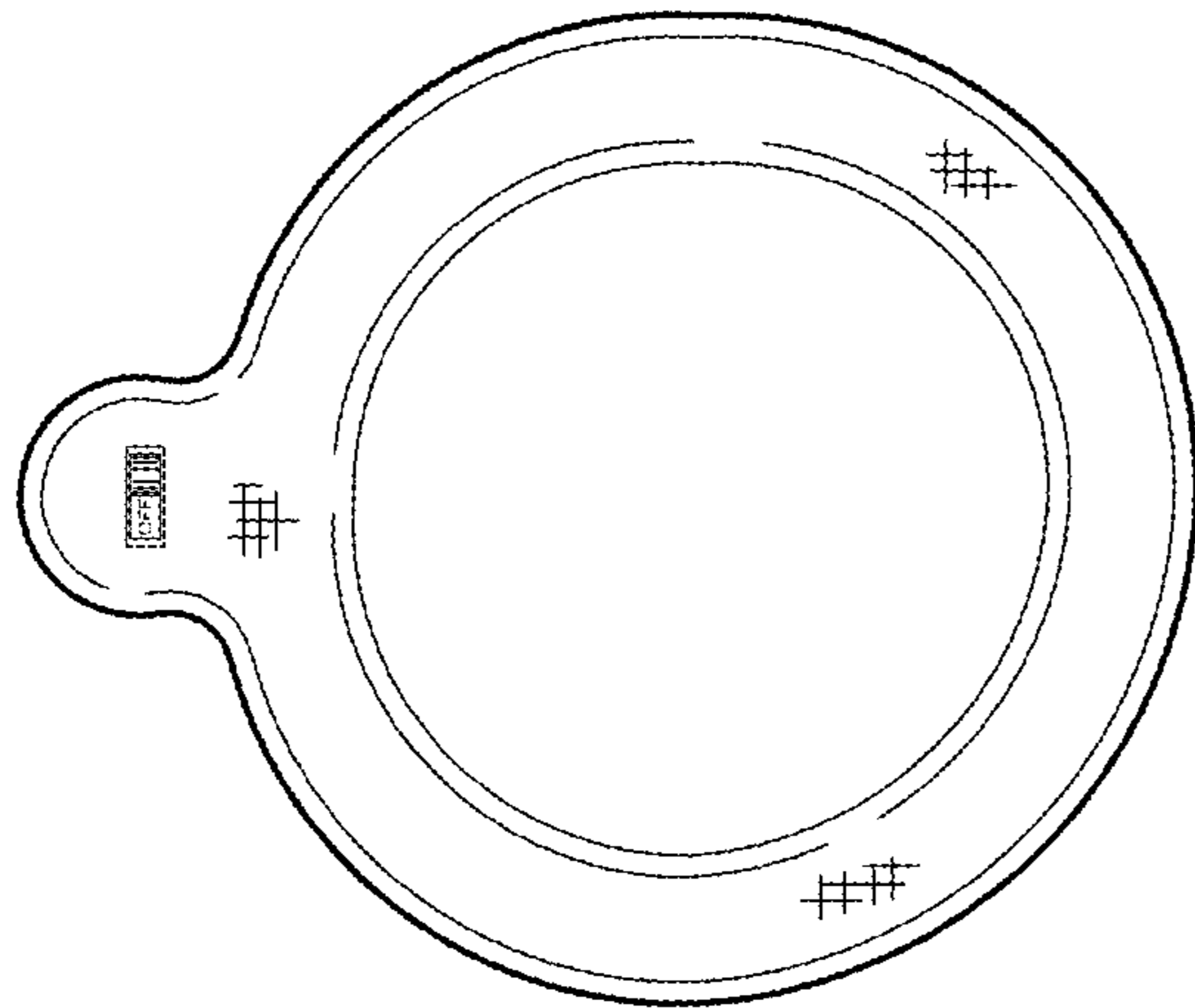


FIG. 2

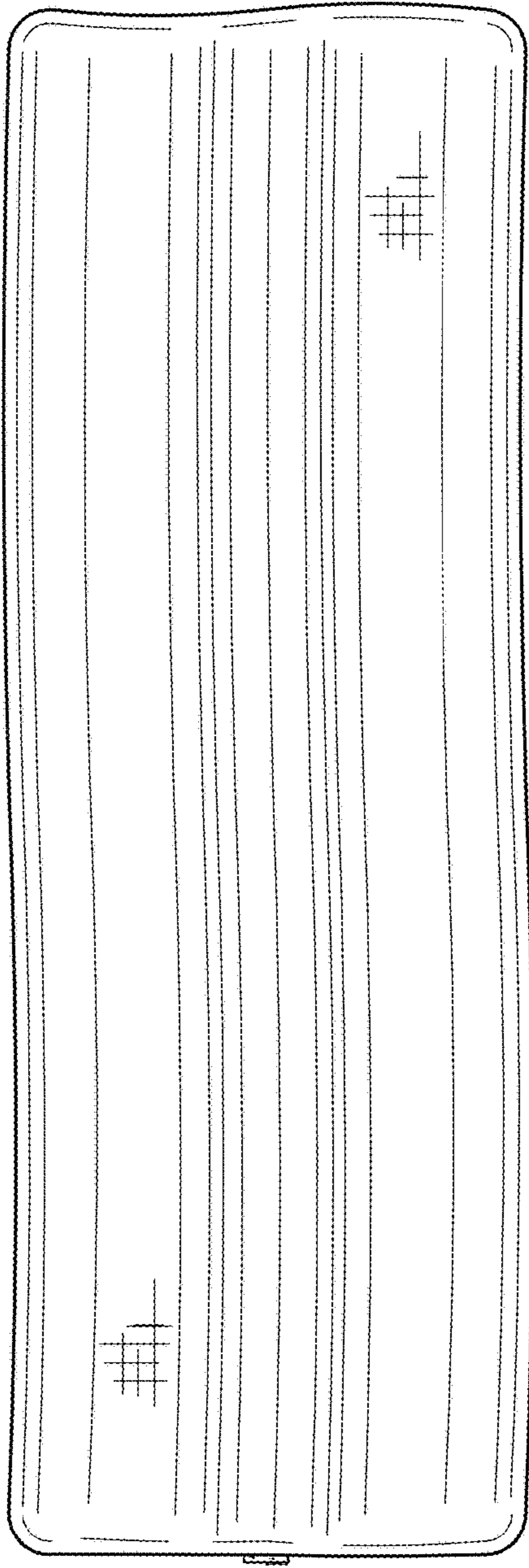


FIG. 4

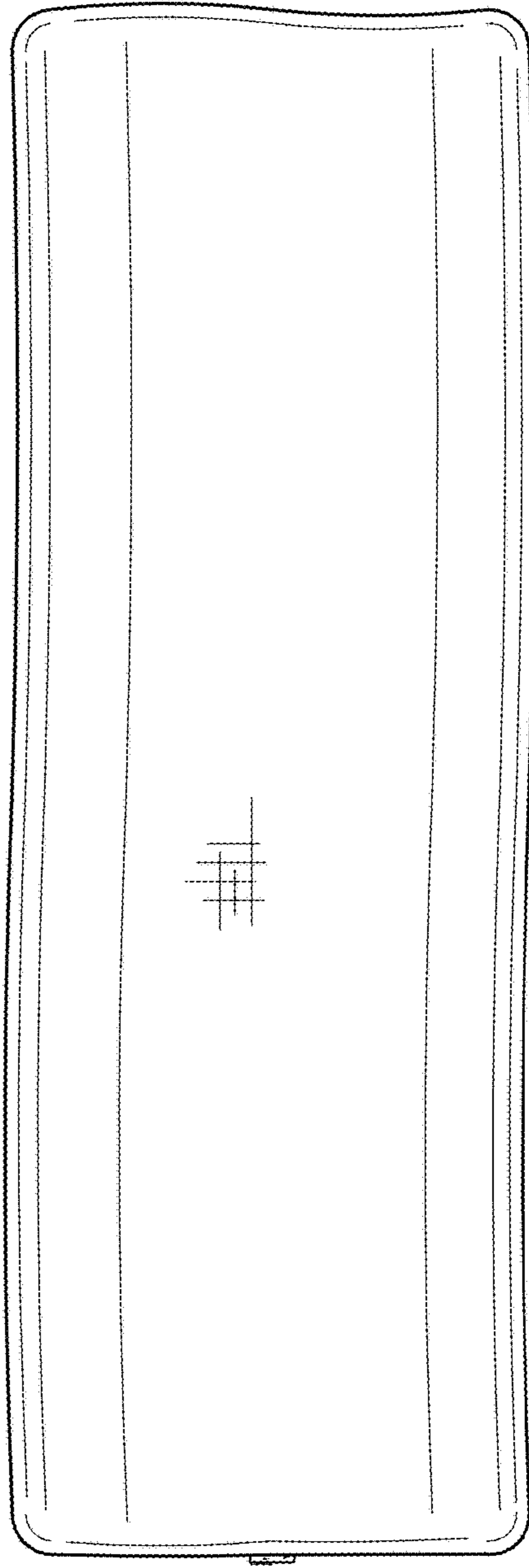


FIG. 5

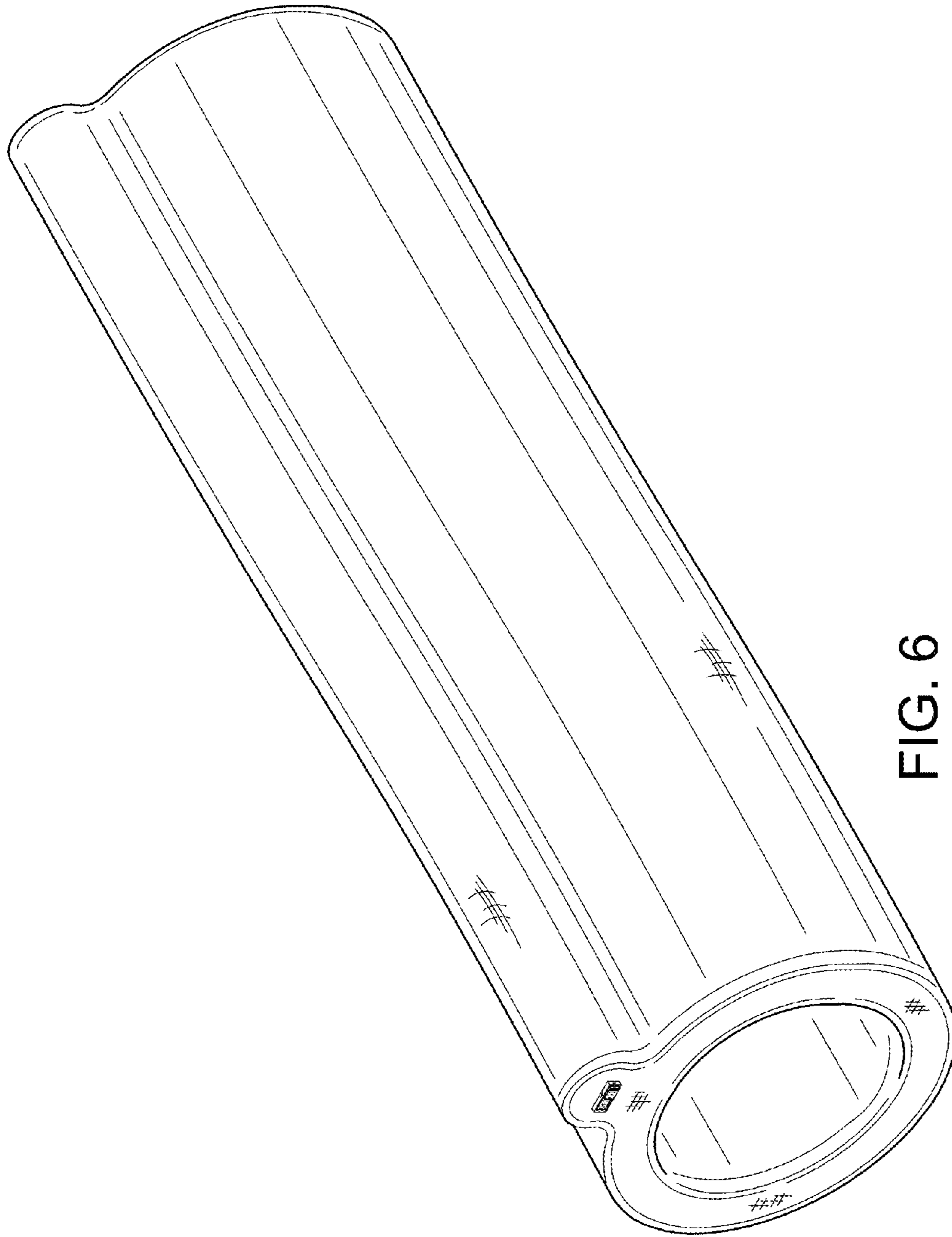


FIG. 6