



US00D791429S

(12) **United States Design Patent** (10) **Patent No.:** **US D791,429 S**  
**Lee** (45) **Date of Patent:** **\*\* Jul. 11, 2017**

(54) **DOUBLE BOW TIE**  
(71) Applicant: **In Y. Lee**, Great Neck, NY (US)  
(72) Inventor: **In Y. Lee**, Great Neck, NY (US)  
(\*\*) Term: **15 Years**  
(21) Appl. No.: **29/564,155**  
(22) Filed: **May 11, 2016**  
(51) **LOC (10) Cl.** ..... **02-07**  
(52) **U.S. Cl.**  
USPC ..... **D2/606**  
(58) **Field of Classification Search**  
USPC ..... D2/500, 501, 600, 605, 606, 608, 609;  
D11/117, 184; D28/41, 43; D30/152  
CPC .... A41D 25/00; A41D 25/001; A41D 25/003;  
A41D 25/005; A41D 25/04; A41D 25/06  
See application file for complete search history.

D390,809 S \* 2/1998 Etzion ..... D11/133  
D412,220 S \* 7/1999 Falloon ..... D28/41  
D421,665 S \* 3/2000 Farmer-Abney ..... D11/184  
D547,026 S \* 7/2007 Grison ..... D2/600  
D777,997 S \* 1/2017 Ruiz ..... D30/145

**FOREIGN PATENT DOCUMENTS**

KR 300625185 \* 12/2011

\* cited by examiner

*Primary Examiner* — Karen E. Eldridge Powers  
*Assistant Examiner* — Jasmine Mlinarcik  
(74) *Attorney, Agent, or Firm* — Notaro, Michalos & Zaccaria P.C.

(57) **CLAIM**

The ornamental design for a double bow tie, as shown and described.

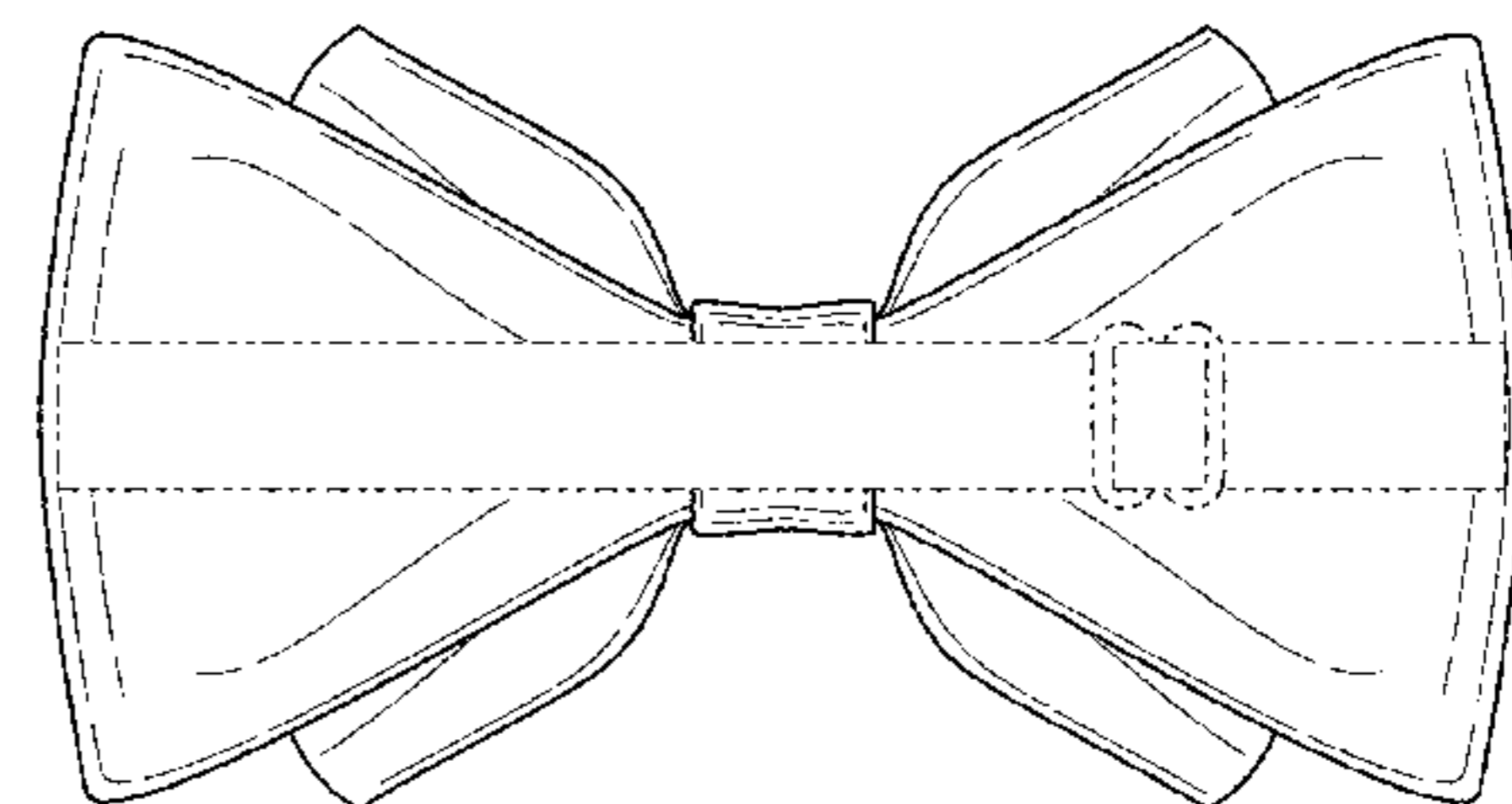
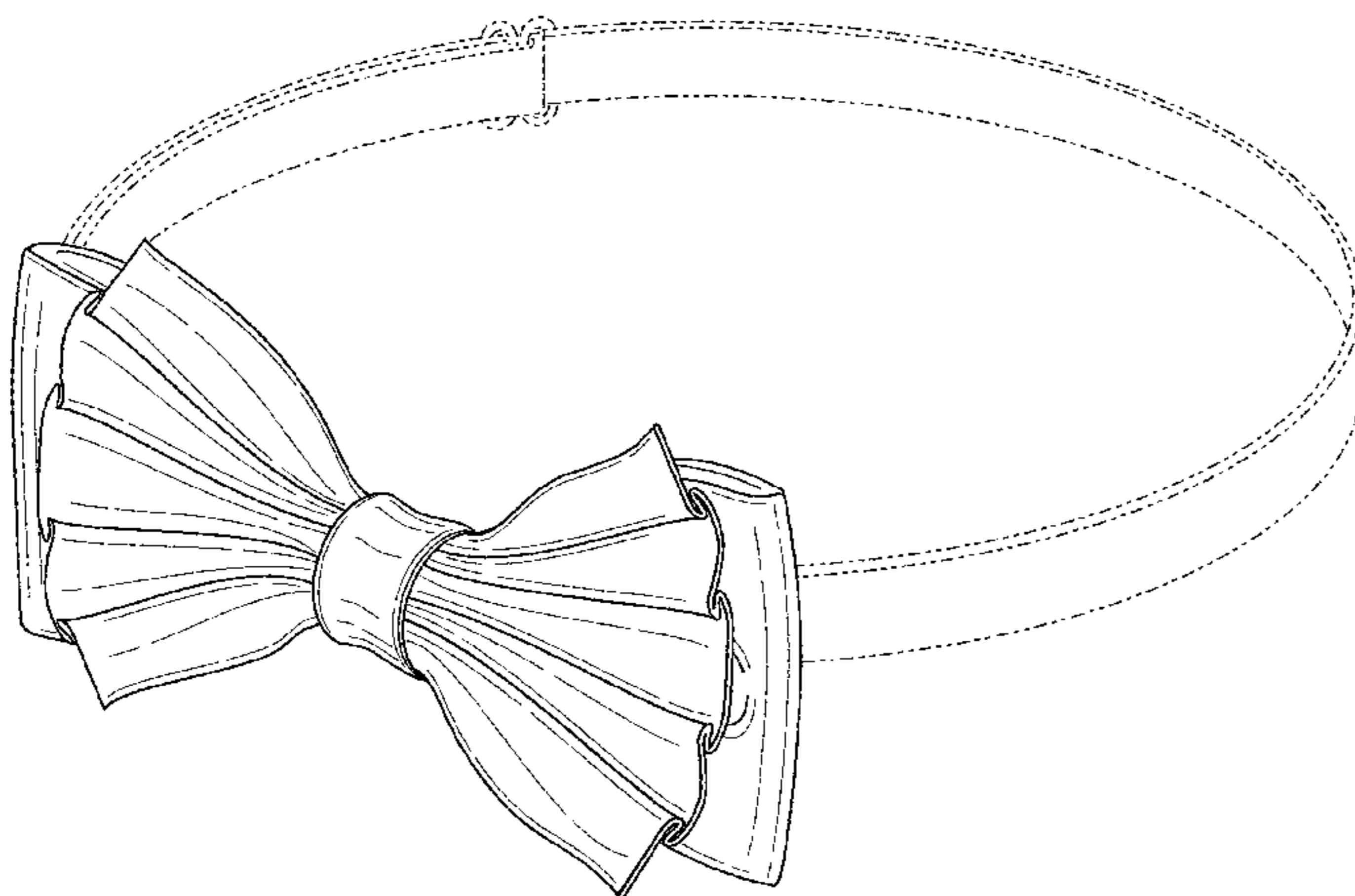
**DESCRIPTION**

FIG. 1 is a front, top, left perspective view of a double bow tie showing my new design therefor;  
FIG. 2 is a front elevational view thereof;  
FIG. 3 is a rear elevational view thereof;  
FIG. 4 is a right side elevational view thereof;  
FIG. 5 is a left side elevational view thereof;  
FIG. 6 is a top plan view thereof; and,  
FIG. 7 is a bottom plan view thereof.  
The illustrated broken lines represent environmental structure that form no part of the claimed design.

**1 Claim, 4 Drawing Sheets**

(56) **References Cited**  
**U.S. PATENT DOCUMENTS**

2,029,180 A \* 1/1936 Mayer ..... A41D 25/04  
2/155  
D128,190 S \* 7/1941 Karlen ..... D28/28  
D157,444 S \* 2/1950 Sherwood ..... D2/606  
3,777,312 A \* 12/1973 Najarian ..... A41D 25/025  
2/154  
D234,467 S \* 3/1975 Del Grosso ..... 428/16  
D313,373 S \* 1/1991 Taylor ..... 428/4  
D315,467 S \* 3/1991 Lemmon ..... D6/597  
D343,508 S \* 1/1994 Jones ..... D2/606



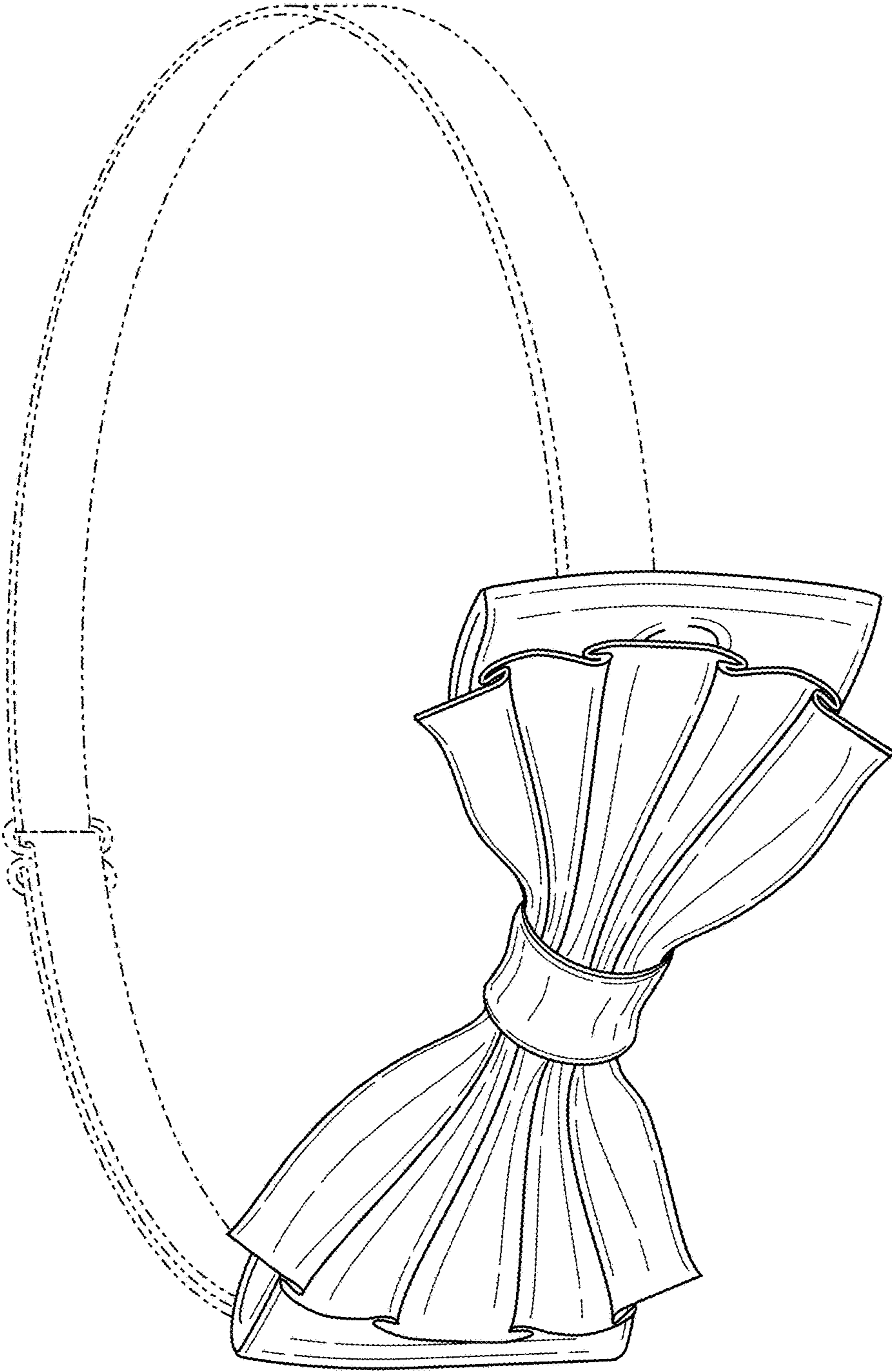


FIG. 1

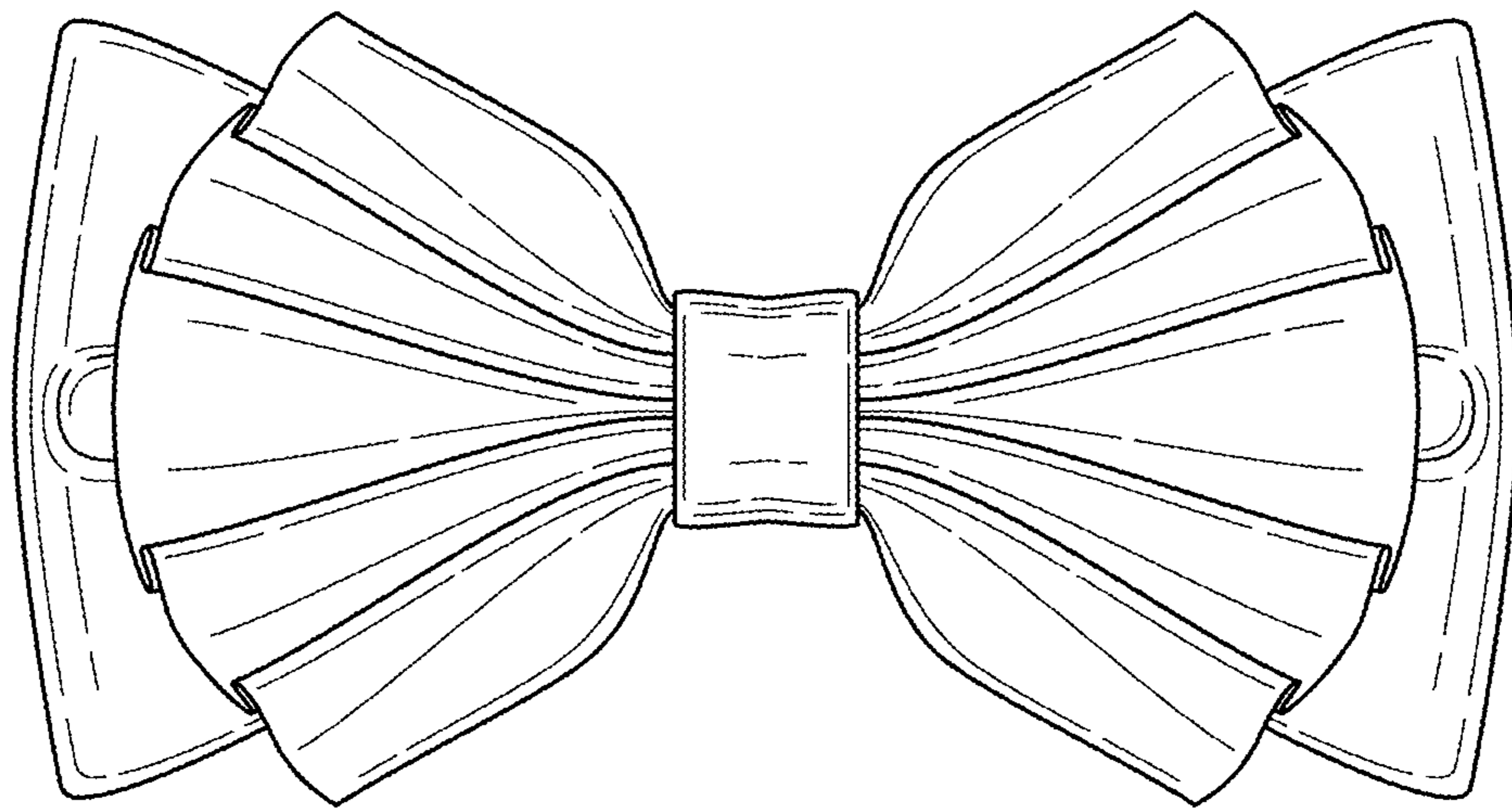


FIG. 2

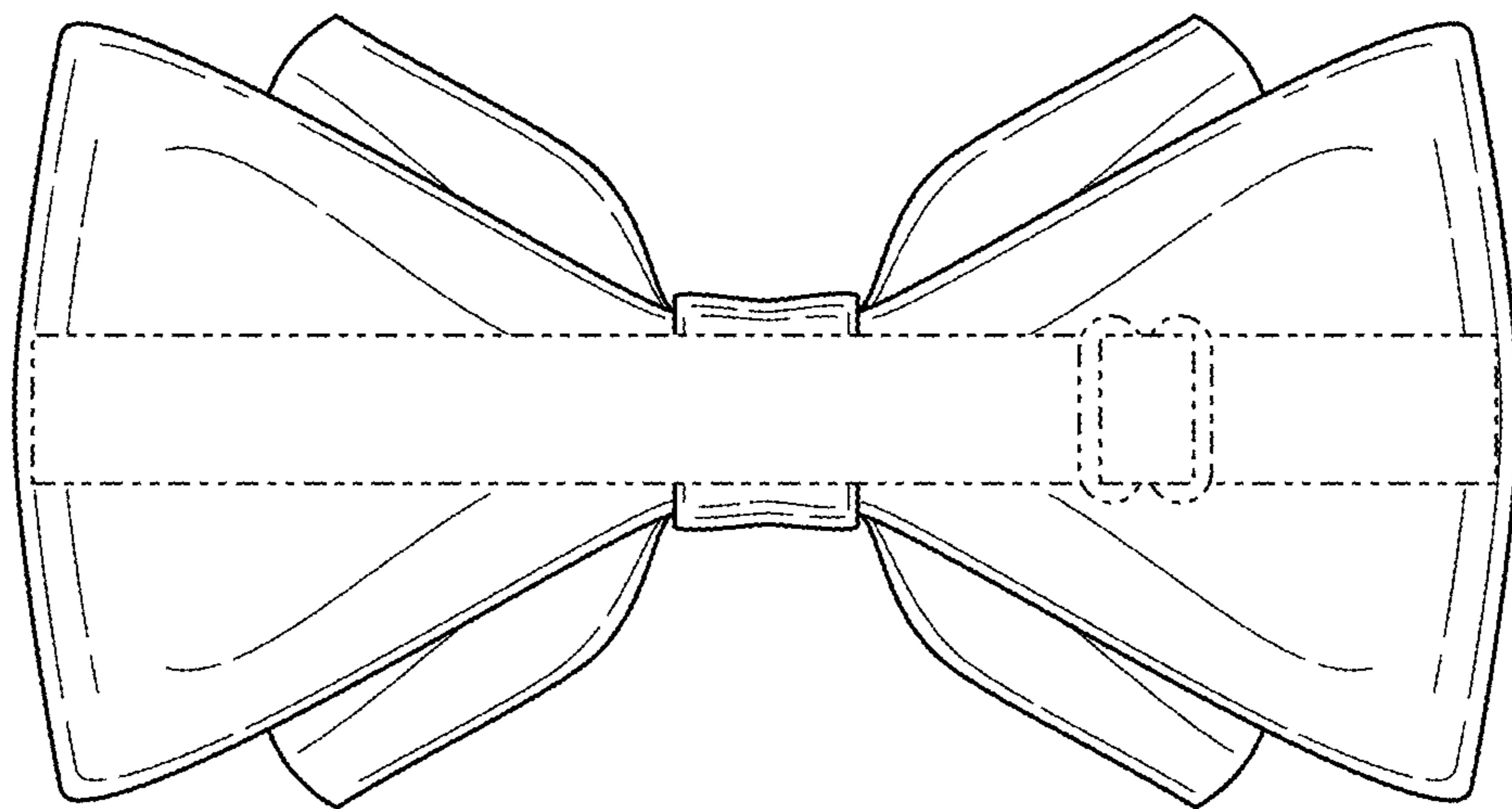


FIG. 3

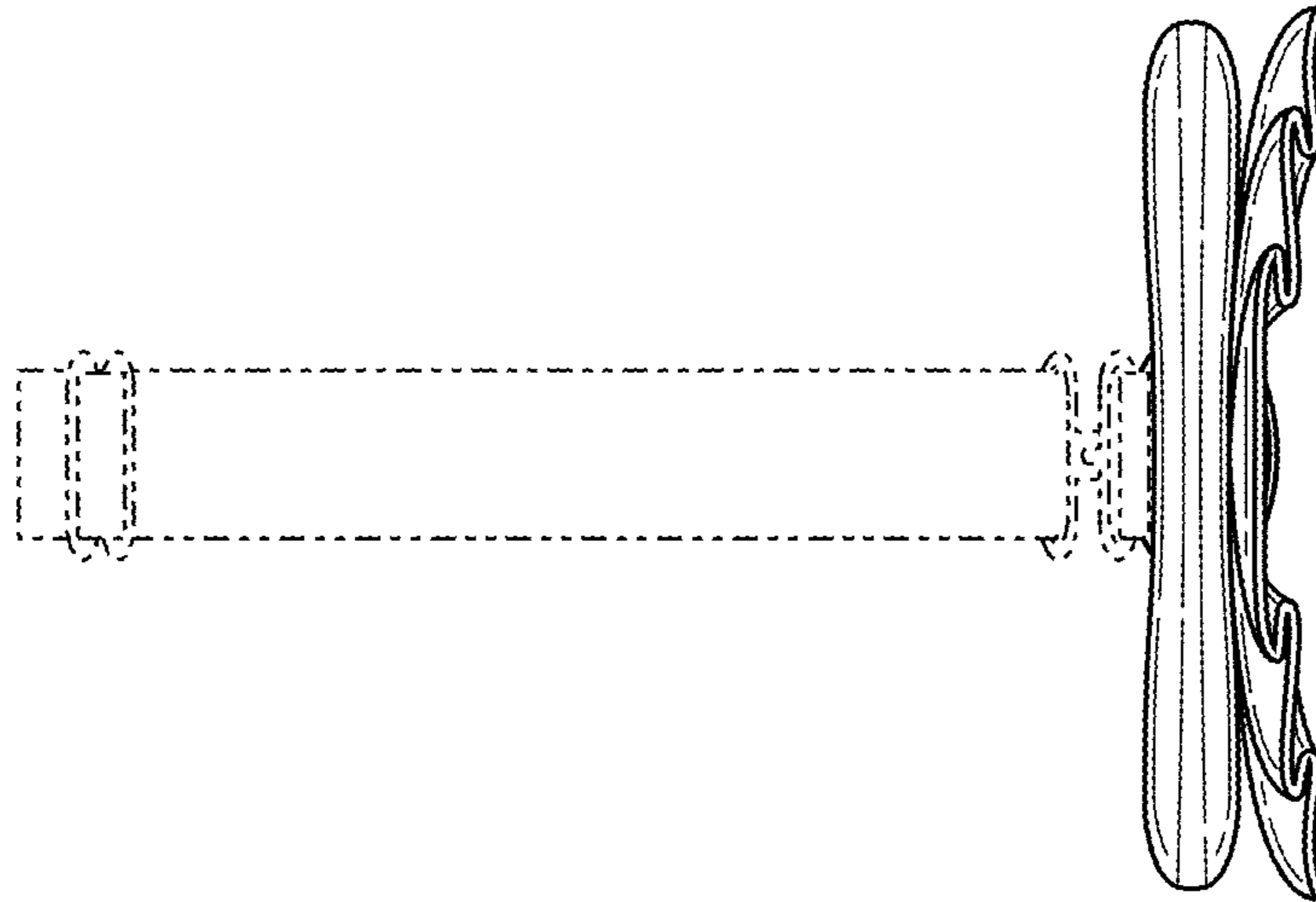


FIG. 4

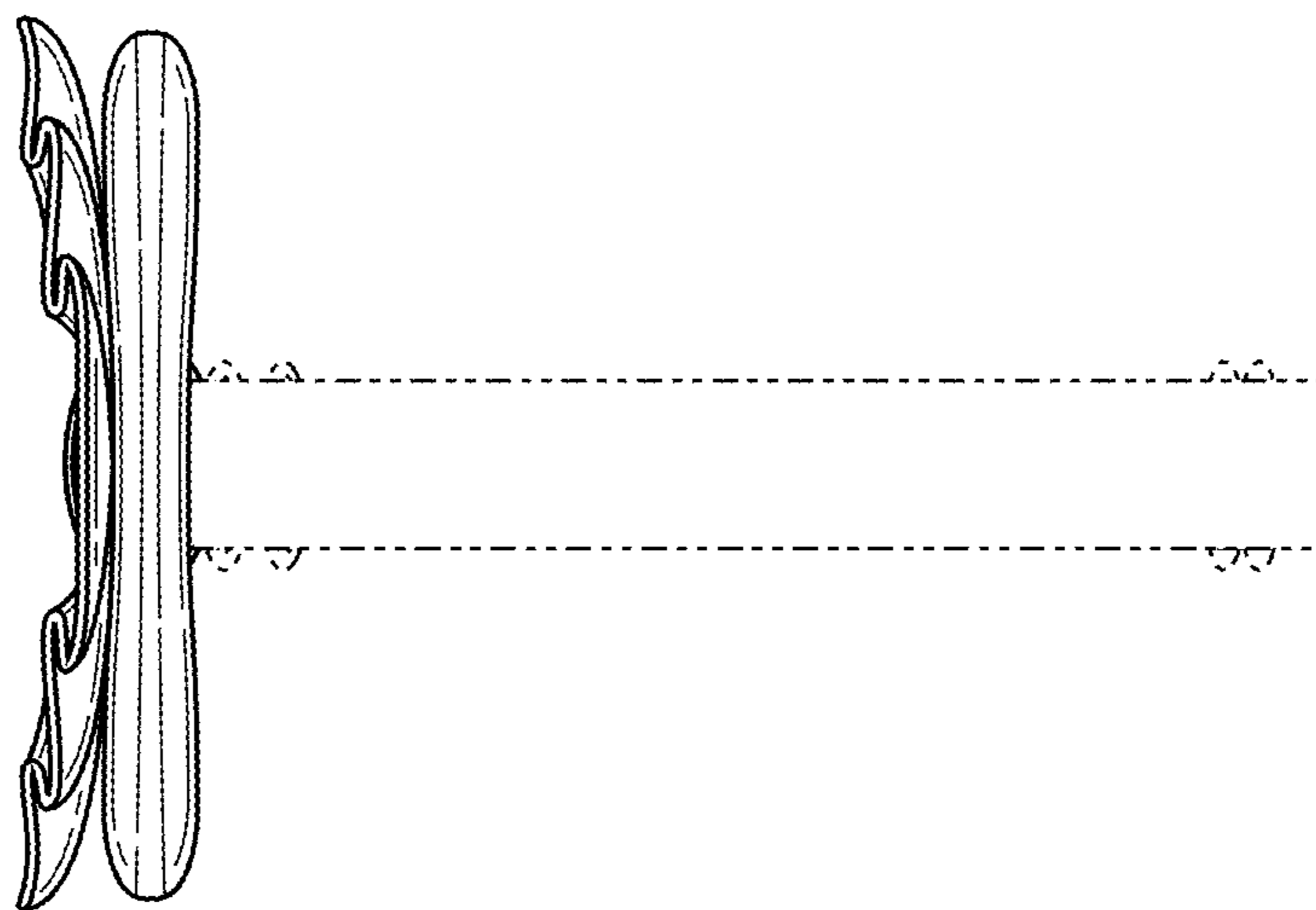


FIG. 5



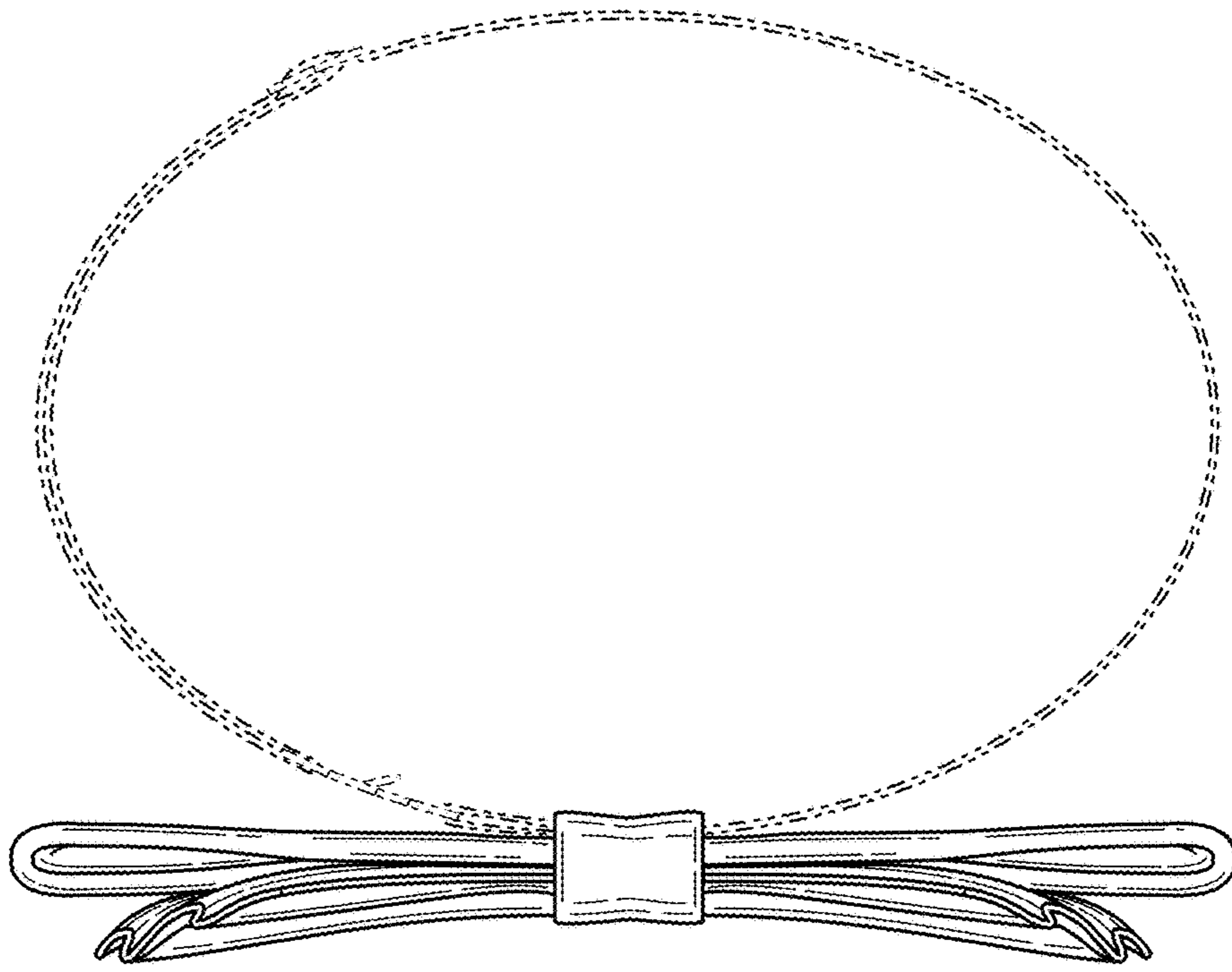


FIG. 6

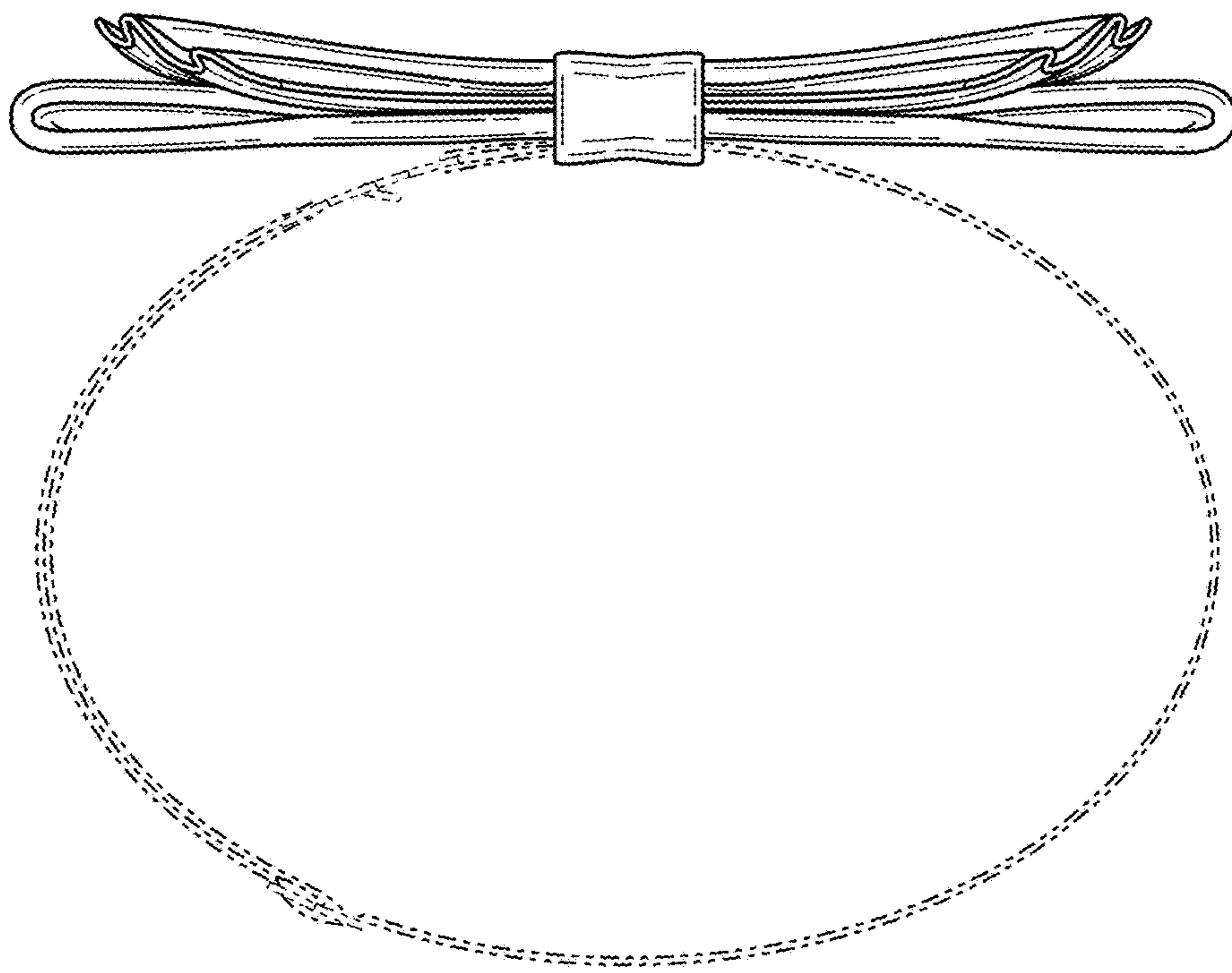


FIG. 7