



US00D791423S

(12) **United States Design Patent** (10) **Patent No.:** **US D791,423 S**  
**Gringer et al.** (45) **Date of Patent:** **\*\* Jul. 4, 2017**

(54) **COMBINATION TOOL**

(71) Applicant: **ALLWAY TOOLS, INC.**, Bronx, NY (US)

(72) Inventors: **Donald Gringer**, New York, NY (US);  
**Yuan Fang Cheng**, Syosset, NY (US)

(73) Assignee: **Allway Tools, Inc.**, Bronx, NY (US)

(\*\*) Term: **15 Years**

(21) Appl. No.: **29/565,918**

(22) Filed: **May 25, 2016**

(51) **LOC (10) Cl.** ..... **08-05**

(52) **U.S. Cl.**  
USPC ..... **D32/46**

(58) **Field of Classification Search**  
USPC ..... D32/40-43, 50-52; D4/118, 199;  
D8/33, 47, 90, 93  
CPC . A47L 13/08; A47L 9/06; A47L 13/02; A46B  
5/02; B24D 15/06; B25F 1/00; B26B  
5/00; B44D 3/16; B08B 1/00; B60S 3/04  
See application file for complete search history.

(56) **References Cited**

**U.S. PATENT DOCUMENTS**

- 845,340 A 2/1907 Drew
- 1,647,751 A \* 11/1927 Schacht ..... A47L 13/08  
15/245
- D152,375 S \* 1/1949 Seley ..... D32/41
- 2,756,499 A \* 7/1956 Liesunaitis ..... B44D 3/162  
30/169
- D318,157 S \* 7/1991 Perior ..... D32/41
- 5,063,627 A 11/1991 Marra
- D326,546 S 5/1992 Gringer
- D327,553 S 6/1992 Gringer
- D349,407 S \* 8/1994 White ..... D32/42
- 5,437,074 A \* 8/1995 White ..... A47L 13/02  
15/105
- D390,434 S \* 2/1998 Agüero ..... D8/33
- 5,956,799 A 9/1999 Panaccione et al.
- 6,006,384 A 12/1999 Toal

- D422,766 S \* 4/2000 Whitman ..... D32/46
  - 6,131,222 A 10/2000 Anderson
  - 6,272,708 B1 8/2001 Chen
  - D468,989 S 1/2003 Gringer et al.
  - D469,230 S \* 1/2003 Libman ..... D32/41
- (Continued)

**FOREIGN PATENT DOCUMENTS**

GB 4030429 \* 9/2013

**OTHER PUBLICATIONS**

Amazon.com: GU Angqi Kitchen Tool, website 2017, [https://www.amazon.com/GU-Angqi-Kitchen-Silicone-Cleaning/dp/B01F5939F8/ref=sr\\_1\\_86?ie=UTF8&qid=1487027954&sr=8-86&keywords=dish+scraper](https://www.amazon.com/GU-Angqi-Kitchen-Silicone-Cleaning/dp/B01F5939F8/ref=sr_1_86?ie=UTF8&qid=1487027954&sr=8-86&keywords=dish+scraper), site visited Feb. 13, 2017.\*

(Continued)

*Primary Examiner* — John Windmuller  
*Assistant Examiner* — John R Yeh  
(74) *Attorney, Agent, or Firm* — Gottlieb, Rackman & Reisman, PC

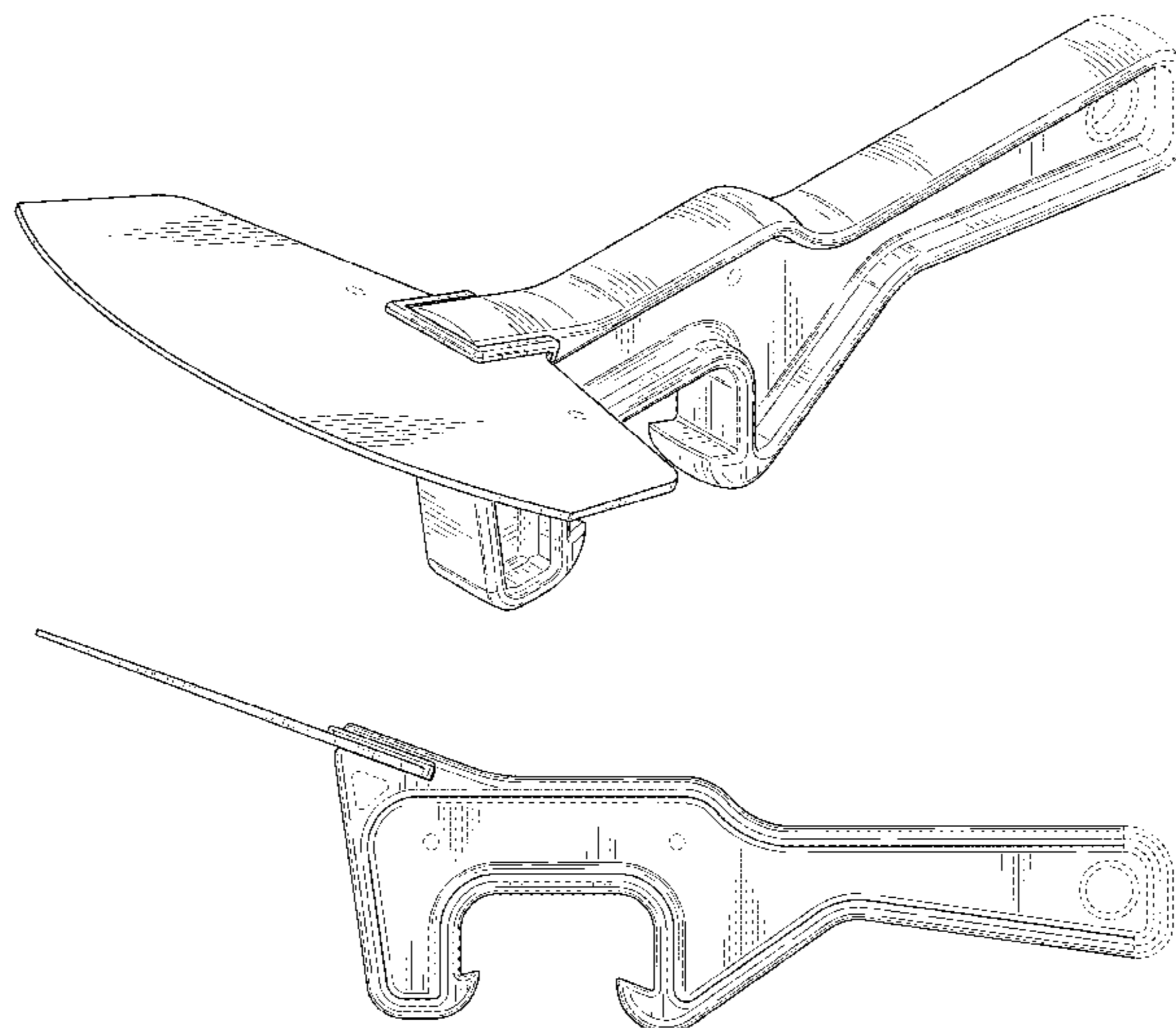
(57) **CLAIM**

The ornamental design for a combination tool, as shown and described.

**DESCRIPTION**

FIG. 1 is a perspective view of a combination tool showing our design;  
FIG. 2 is a first side view thereof;  
FIG. 3 is a second side view thereof;  
FIG. 4 is a rear view thereof;  
FIG. 5 is a front view thereof;  
FIG. 6 is a top view thereof; and,  
FIG. 7 is a bottom view thereof.  
The broken lines shown in the drawings are included for the purpose of illustrating portions of the article that form no part of the claimed design.

**1 Claim, 5 Drawing Sheets**



(56)

References Cited

U.S. PATENT DOCUMENTS

6,530,098	B1	3/2003	Gringer et al.	
6,732,395	B2	5/2004	Gringer	
D498,404	S	11/2004	Schmidt	
D555,856	S *	11/2007	Henke .....	D32/48
D562,517	S *	2/2008	Henke .....	D32/46
D563,744	S *	3/2008	Adwar .....	D8/47
D578,364	S *	10/2008	Corredor-Londono .....	D8/18
D586,877	S *	2/2009	Li .....	D32/41
D586,878	S *	2/2009	Libman .....	D32/41
D655,144	S *	3/2012	Hajarizadeh .....	D8/47
D660,675	S	5/2012	Gringer et al.	
D693,077	S *	11/2013	Thompson .....	D32/46
D723,756	S *	3/2015	Goodman .....	D32/41
9,051,744	B1 *	6/2015	Murray .....	B26B 9/00
D753,457	S *	4/2016	Hurt .....	D8/45
2010/0235998	A1 *	9/2010	Chen .....	B25F 1/00 7/138
2011/0138540	A1 *	6/2011	Kinsky .....	B25F 1/00 7/105
2015/0204635	A1 *	7/2015	Blish .....	B25F 1/00 7/138
2015/0246439	A1 *	9/2015	Raymond .....	B25B 15/00 7/165

OTHER PUBLICATIONS

Amazon.com Stainless Steel Putty Knife and Scraper, website 2017, [https://www.amazon.com/Combination-Painters-Tool-Stainless-Scraper/dp/B00KGHM2IK/ref=sr\\_1\\_3?ie=UTF8&qid=1487028283&sr=8-3&keywords=combination+tool+scraper](https://www.amazon.com/Combination-Painters-Tool-Stainless-Scraper/dp/B00KGHM2IK/ref=sr_1_3?ie=UTF8&qid=1487028283&sr=8-3&keywords=combination+tool+scraper), [site visited, Feb. 13, 2017 6:25:40 PM].\*

Kraft TOol Co Flexible Wipe Down BLade, website 2017, site visited Feb. 13, 2017, <https://www.Grainger.com/product/KRAFT-TOOL-CO-Flexible-Wipe-Down-Knife-with-35EM57>.\*

Allway Tools, Soft Grip Tools for Hard Hat Jobs, Product Catalog, 2014.

Better Tools Full Line Catalog, [www.better-tools.com](http://www.better-tools.com), 2007.

Vanguard Technetics, Inc., [SafetyKnife.com](http://SafetyKnife.com), 2011.

Wallboard Tool Co., Inc., Catalog # 34 Supplement, Nov. 4, 2013.

\* cited by examiner

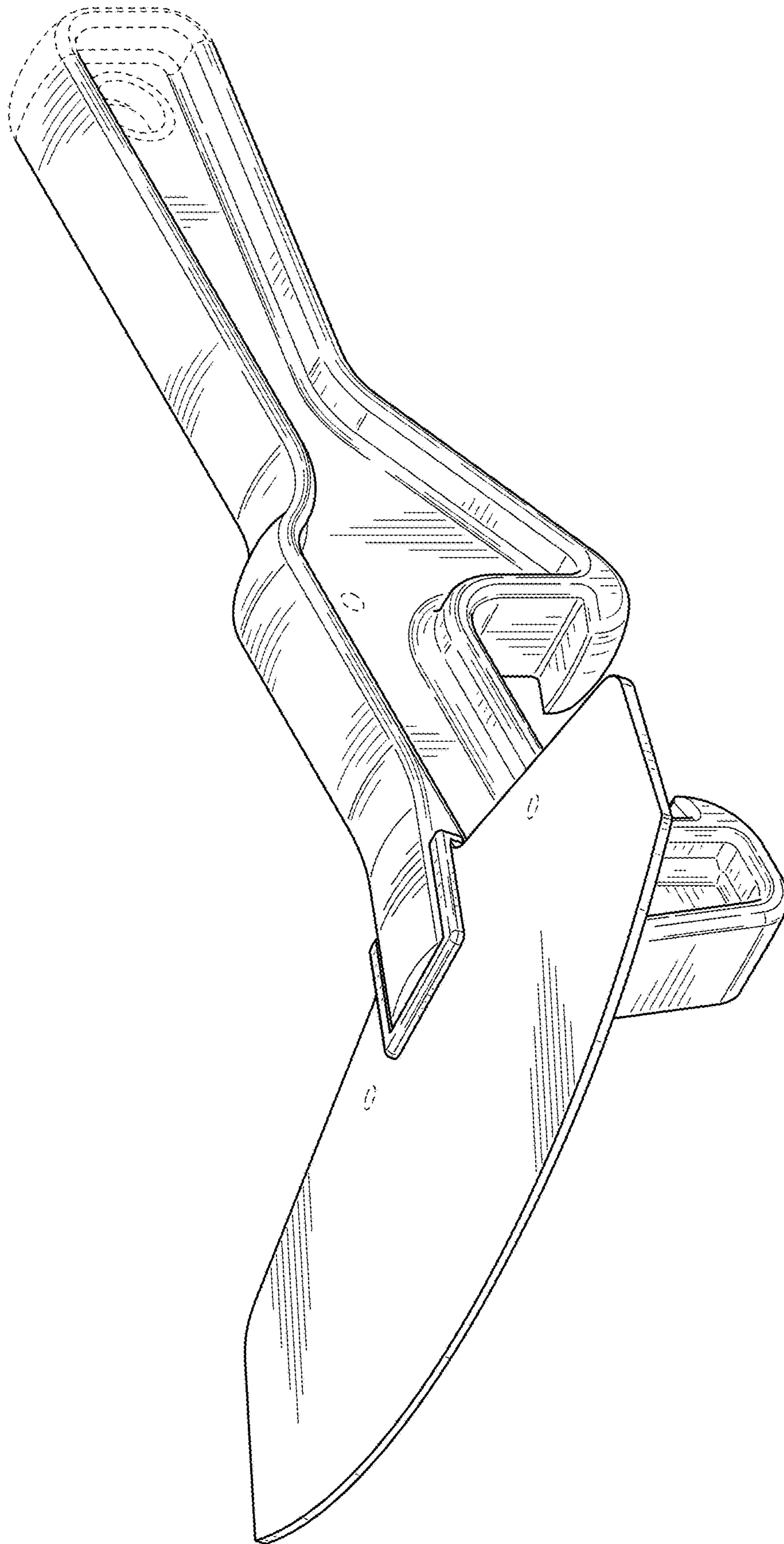


FIG. 1



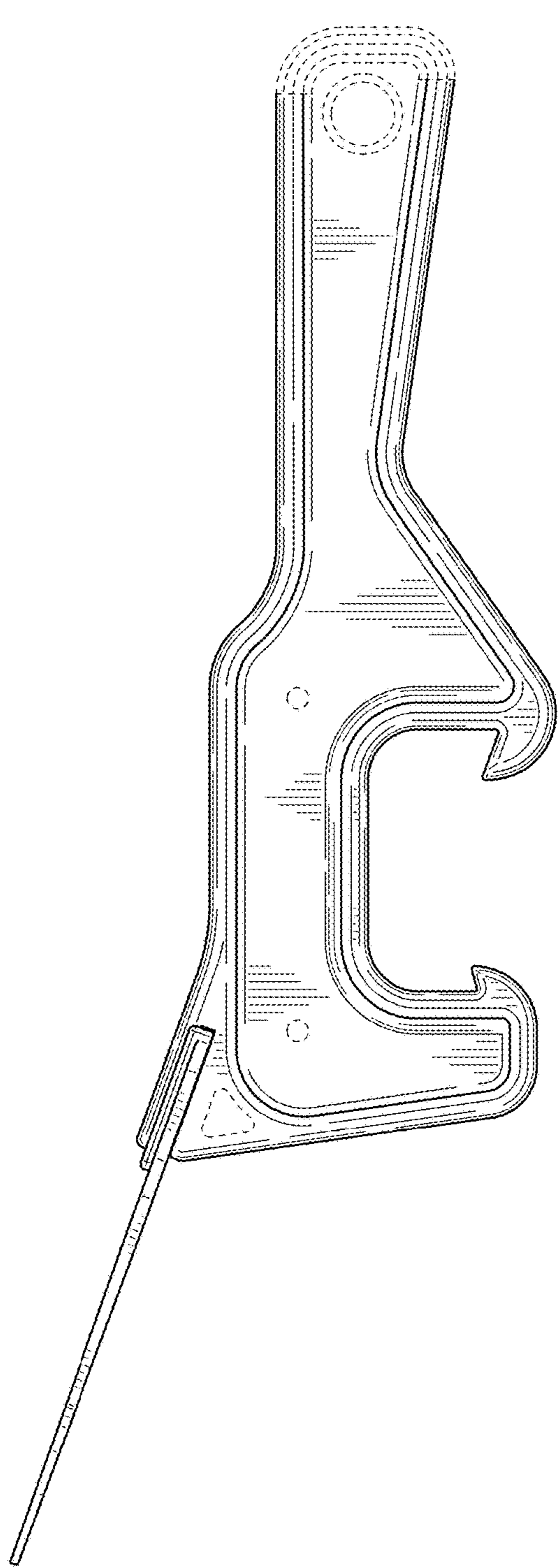


FIG. 2

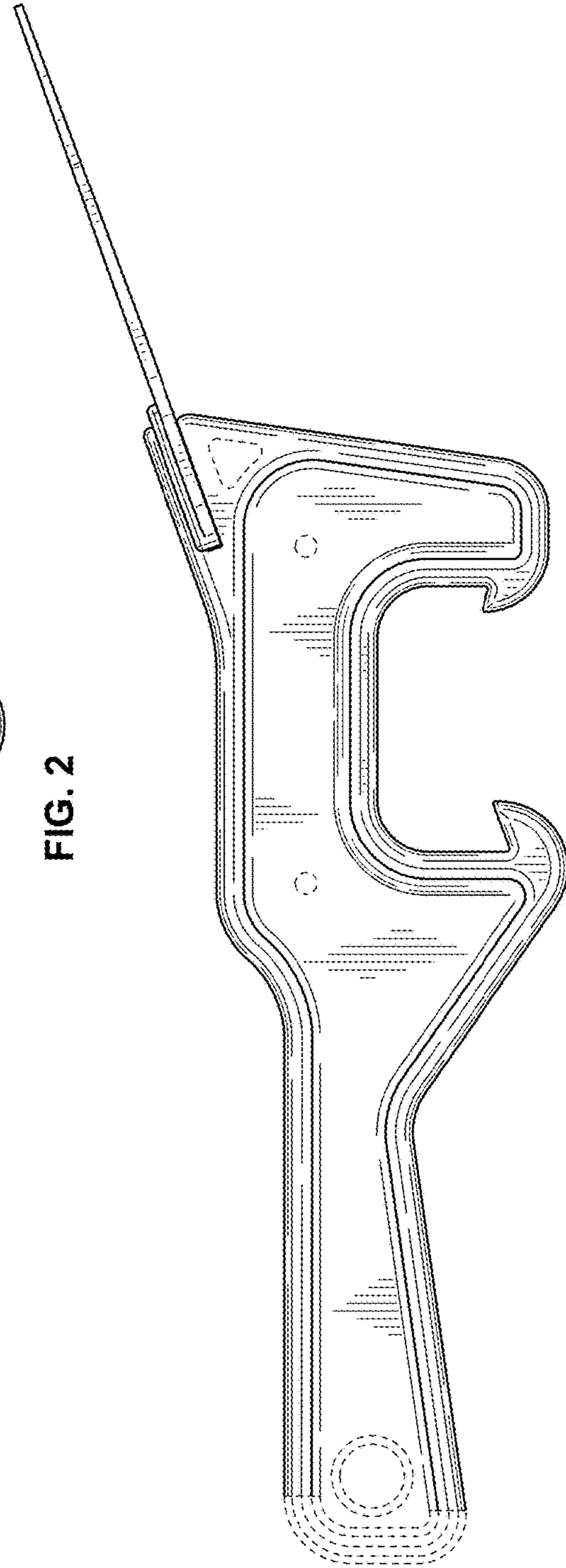


FIG. 3

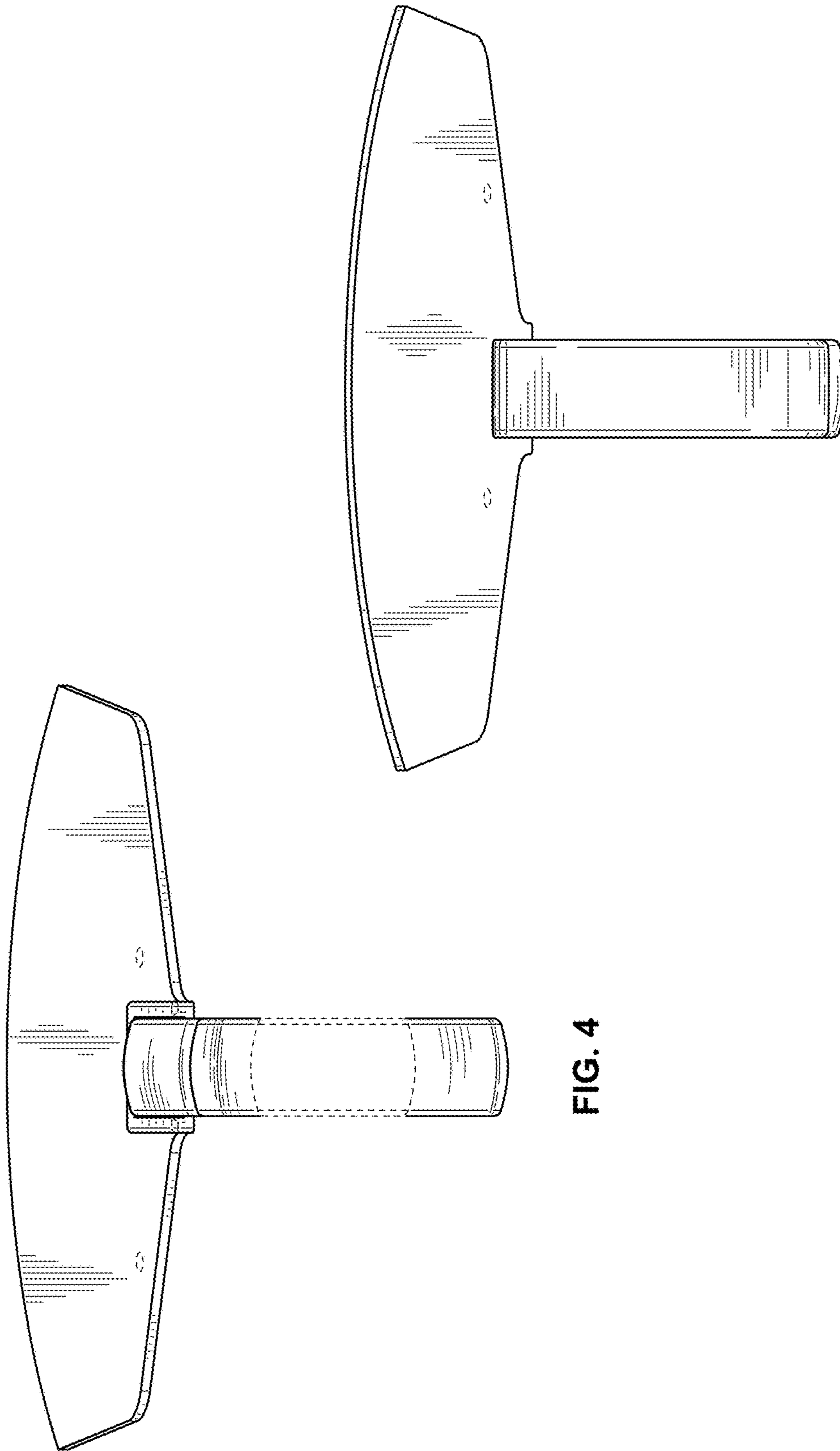


FIG. 4

FIG. 5

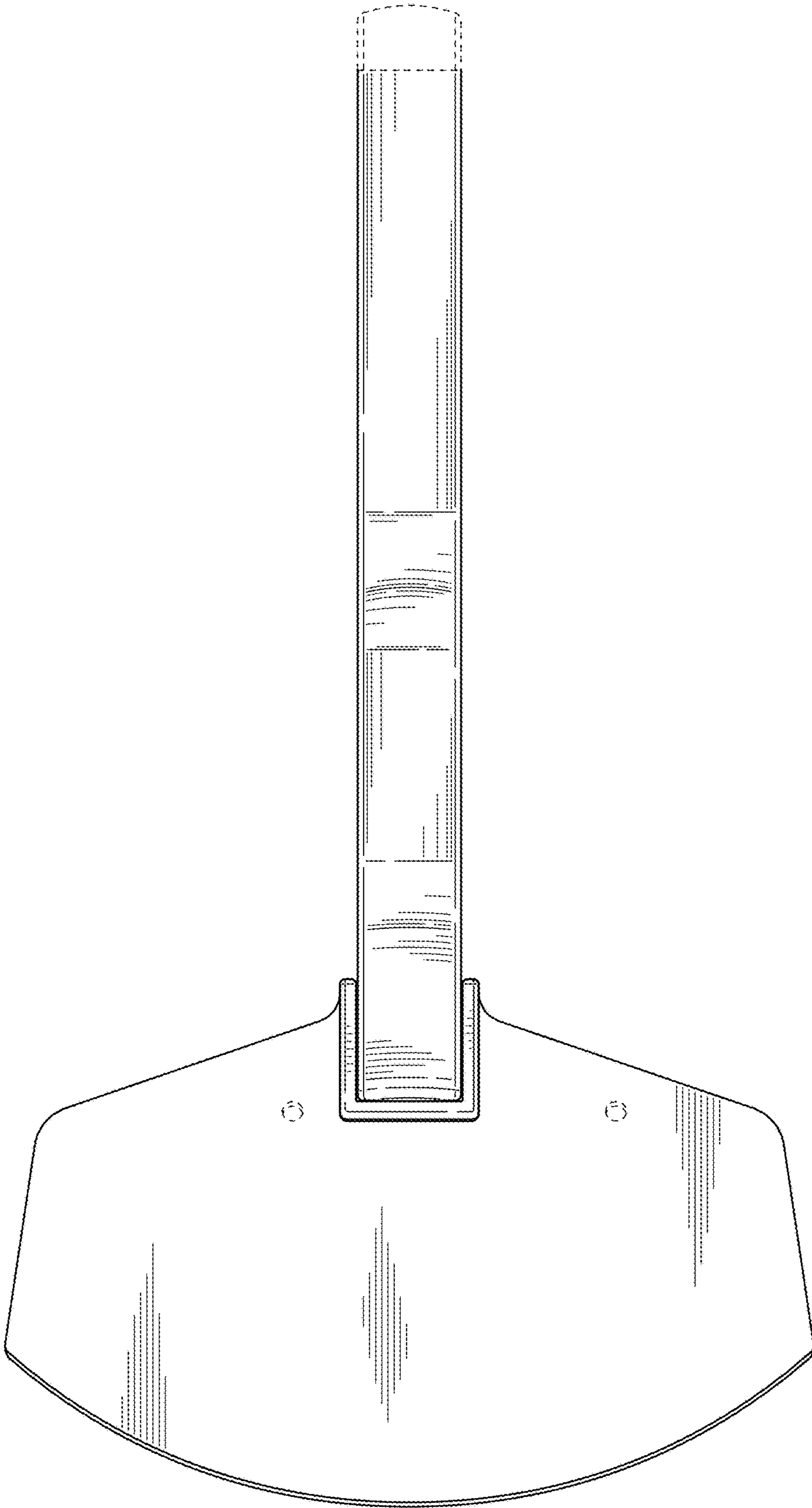


FIG. 6

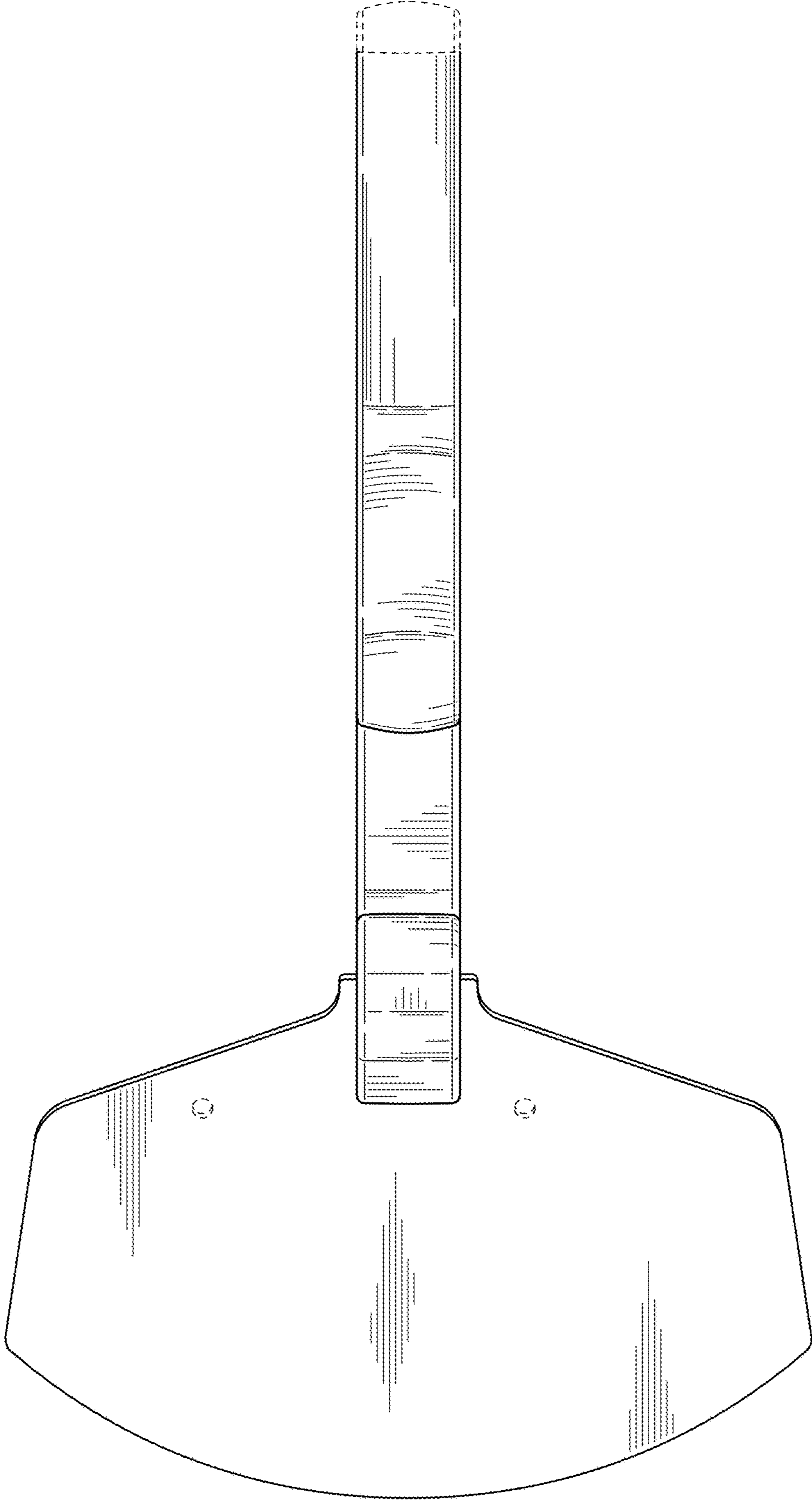


FIG. 7