



US00D791419S

(12) **United States Design Patent**
Kim et al.

(10) **Patent No.:** **US D791,419 S**
(45) **Date of Patent:** **** Jul. 4, 2017**

(54) **WASHING MACHINE**
(71) Applicant: **Samsung Electronics Co., Ltd.**,
Suwon-si, Gyeonggi-do (KR)
(72) Inventors: **Kangdoo Kim**, Seoul (KR); **Yeonsu Kim**, Seoul (KR); **Jungeun Park**,
Seoul (KR)
(73) Assignee: **SAMSUNG ELECTRONICS CO., LTD.**, Gyeonggi-Do (KR)
(**) Term: **15 Years**

7,428,445 B2 * 9/2008 Lee D06F 39/005
68/12.01
7,905,120 B2 * 3/2011 Mamiya D06F 25/00
68/5 C
8,024,948 B2 * 9/2011 Kitamura D06F 25/00
68/18 F
D653,822 S * 2/2012 Geyer D32/6
8,240,175 B2 * 8/2012 Kim D06F 39/005
312/228.1
D689,515 S * 9/2013 Yang D14/489
D713,850 S * 9/2014 Jiyeon D14/485
D730,596 S * 5/2015 Kim D32/6
D735,424 S * 7/2015 Ha D32/6
D739,097 S * 9/2015 Qin D32/6
D746,521 S * 12/2015 Ha D32/6

(Continued)

(21) Appl. No.: **29/560,280**

(22) Filed: **Apr. 5, 2016**

(30) **Foreign Application Priority Data**

Nov. 20, 2015 (KR) 30-2015-0058639

(51) **LOC (10) Cl.** **15-05**

(52) **U.S. Cl.**
USPC **D32/6**

(58) **Field of Classification Search**
USPC D32/1, 5, 6, 8, 10, 11, 25, 29; D6/349,
D6/352, 559, 560; D3/273, 297, 307;
D14/485, 488, 489; 312/228; 68/27, 11,
68/38, 20, 3 R
CPC D06F 17/04; D06F 37/02; D06F 37/08;
D06F 37/12; D06F 37/145; D06F 39/14;
D06F 39/00; D06F 39/08; D06F 31/00;
B08B 3/12

See application file for complete search history.

(56) **References Cited**

U.S. PATENT DOCUMENTS

4,763,493 A * 8/1988 Nishite D06F 39/005
340/286.13
D541,492 S * 4/2007 Nam D32/6

FOREIGN PATENT DOCUMENTS

KR 300643945 S 5/2012
KR 300659280 S 9/2012
KR 300743350 S 5/2014

Primary Examiner — Susan Bennett Hattan

Assistant Examiner — Rebecca Tsehaye

(74) *Attorney, Agent, or Firm* — Cantor Colburn LLP

(57) **CLAIM**

The ornamental design for a washing machine, as shown and described.

DESCRIPTION

FIG. 1 is a perspective view of a washing machine showing our new design;

FIG. 2 is a front view thereof;

FIG. 3 is a rear view thereof;

FIG. 4 is a left side view thereof;

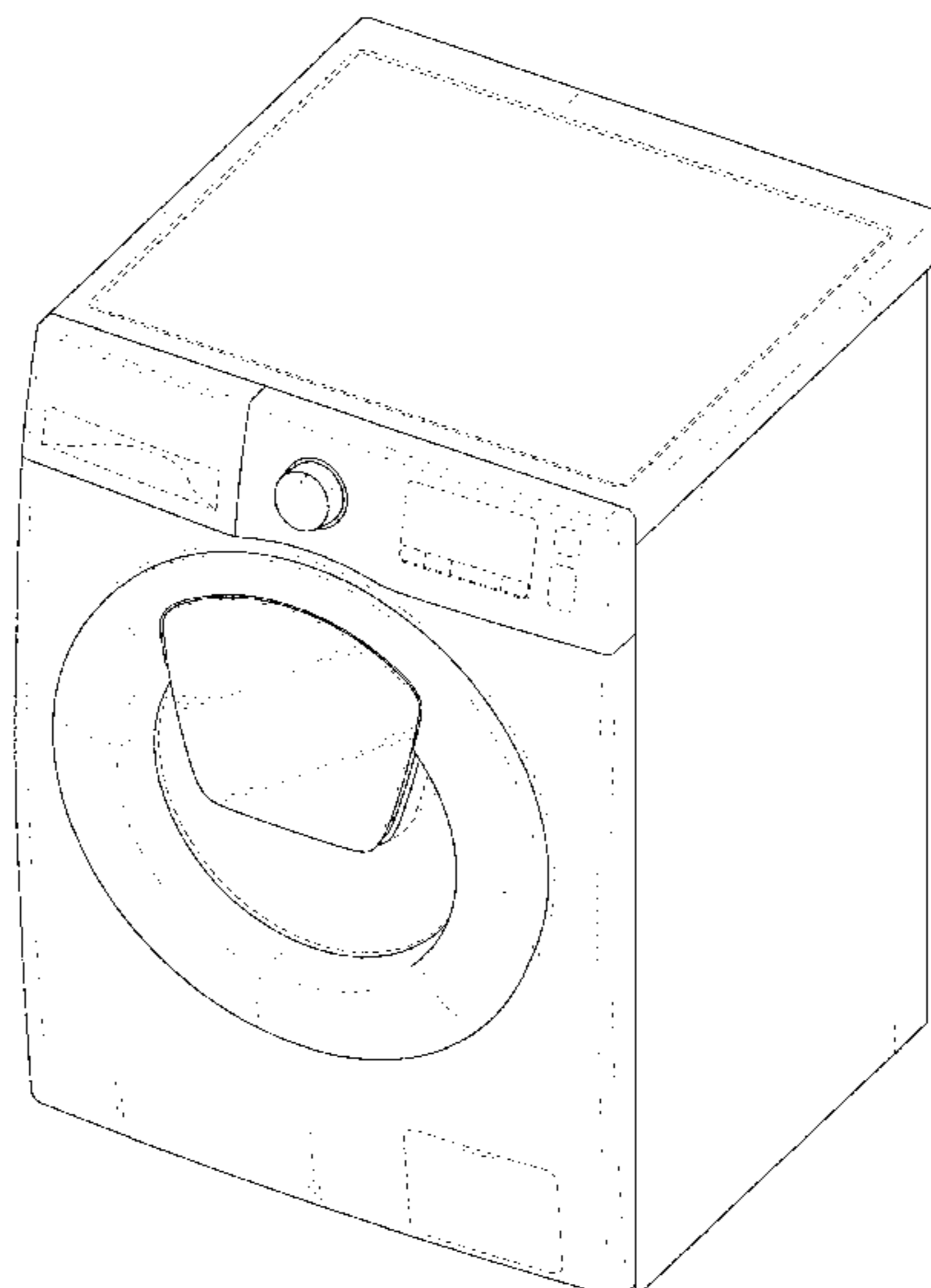
FIG. 5 is a right side view thereof;

FIG. 6 is a top view thereof; and,

FIG. 7 is a bottom view thereof.

The broken lines in the figures show portions of the washing machine that form no part of the claimed design.

1 Claim, 7 Drawing Sheets



(56)

References Cited

U.S. PATENT DOCUMENTS

D748,355 S * 1/2016 Sim D32/6
D777,772 S * 1/2017 Zhang D14/488

* cited by examiner

FIG. 1

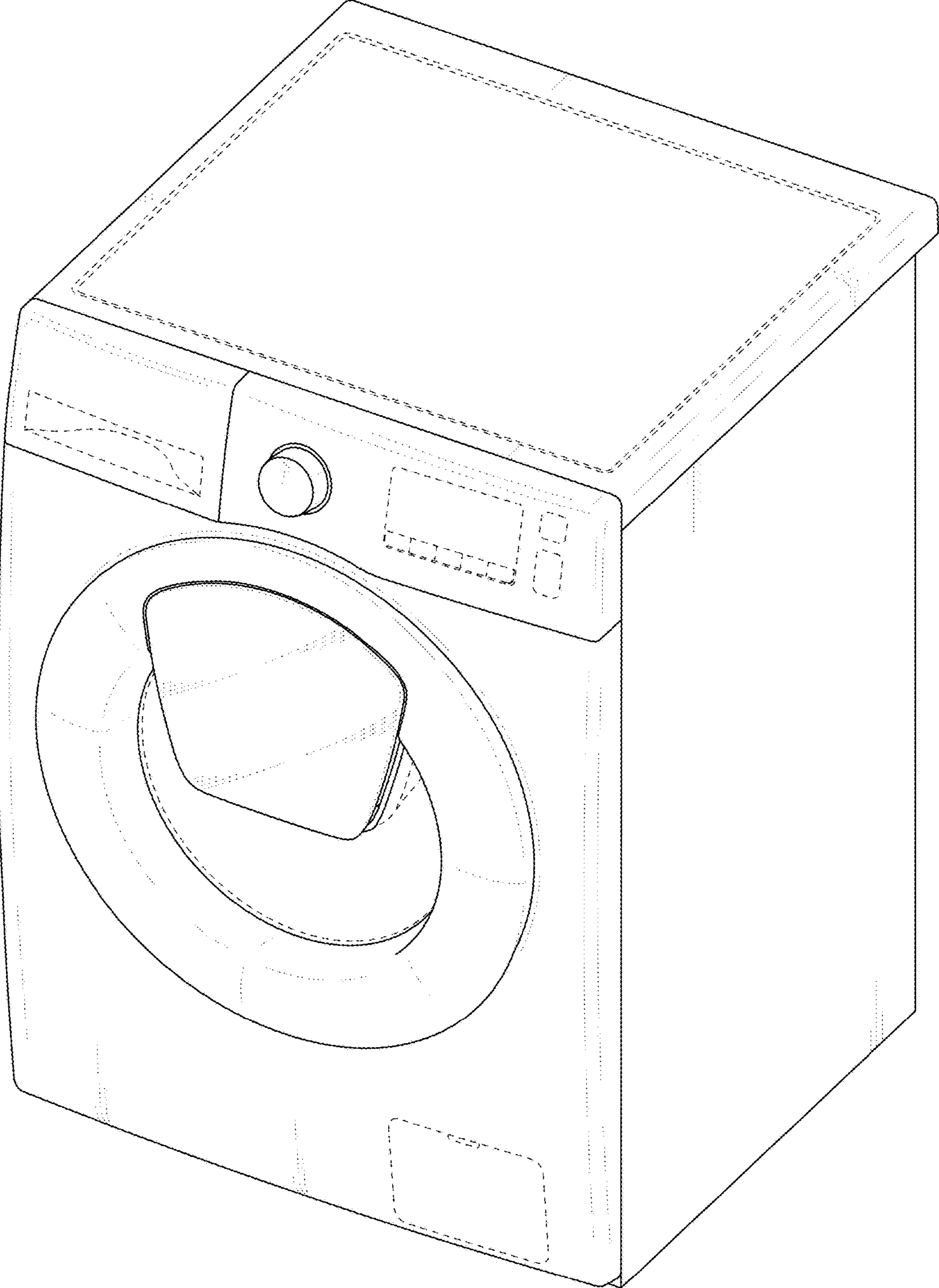


FIG. 2

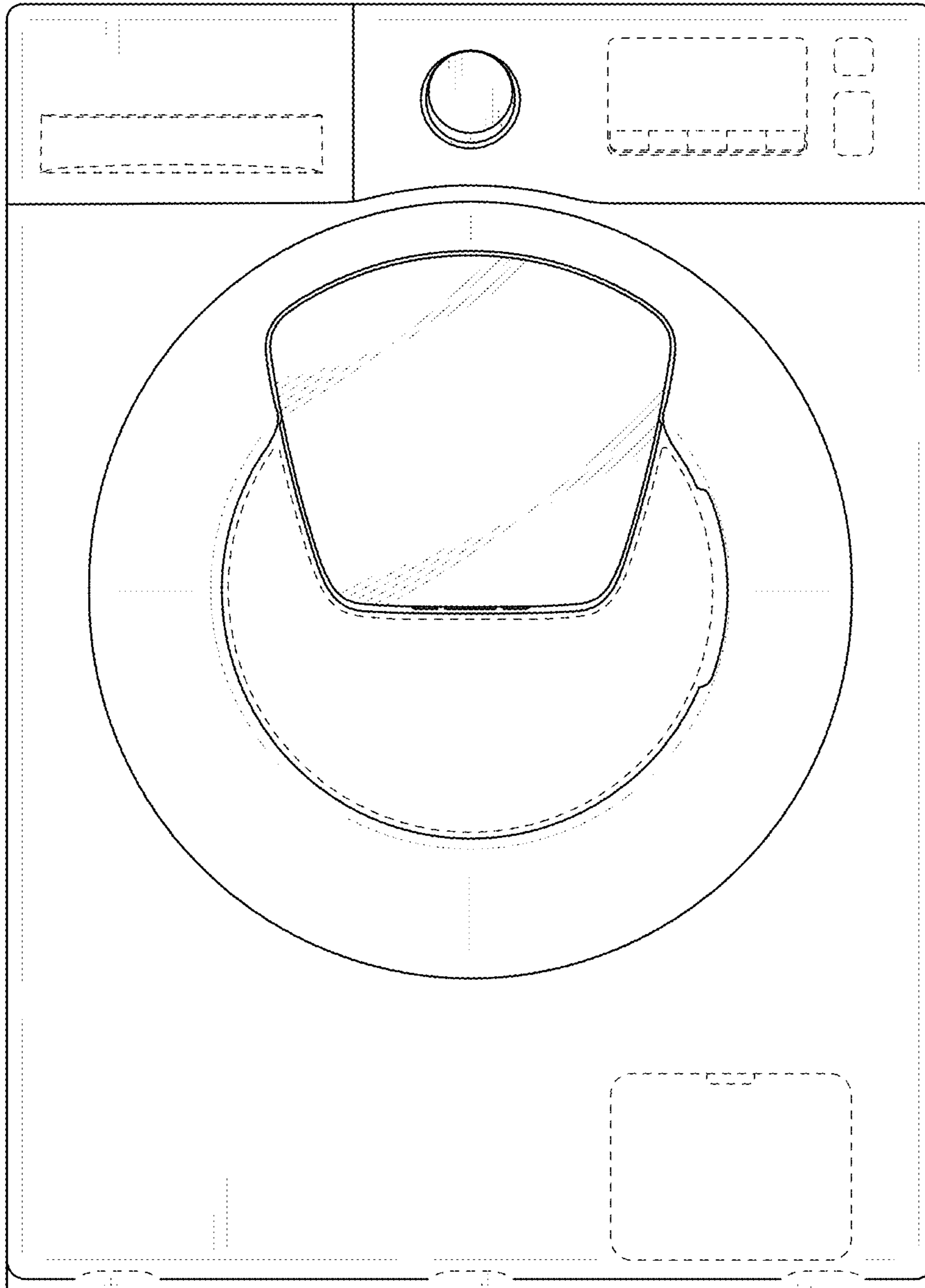


FIG. 3

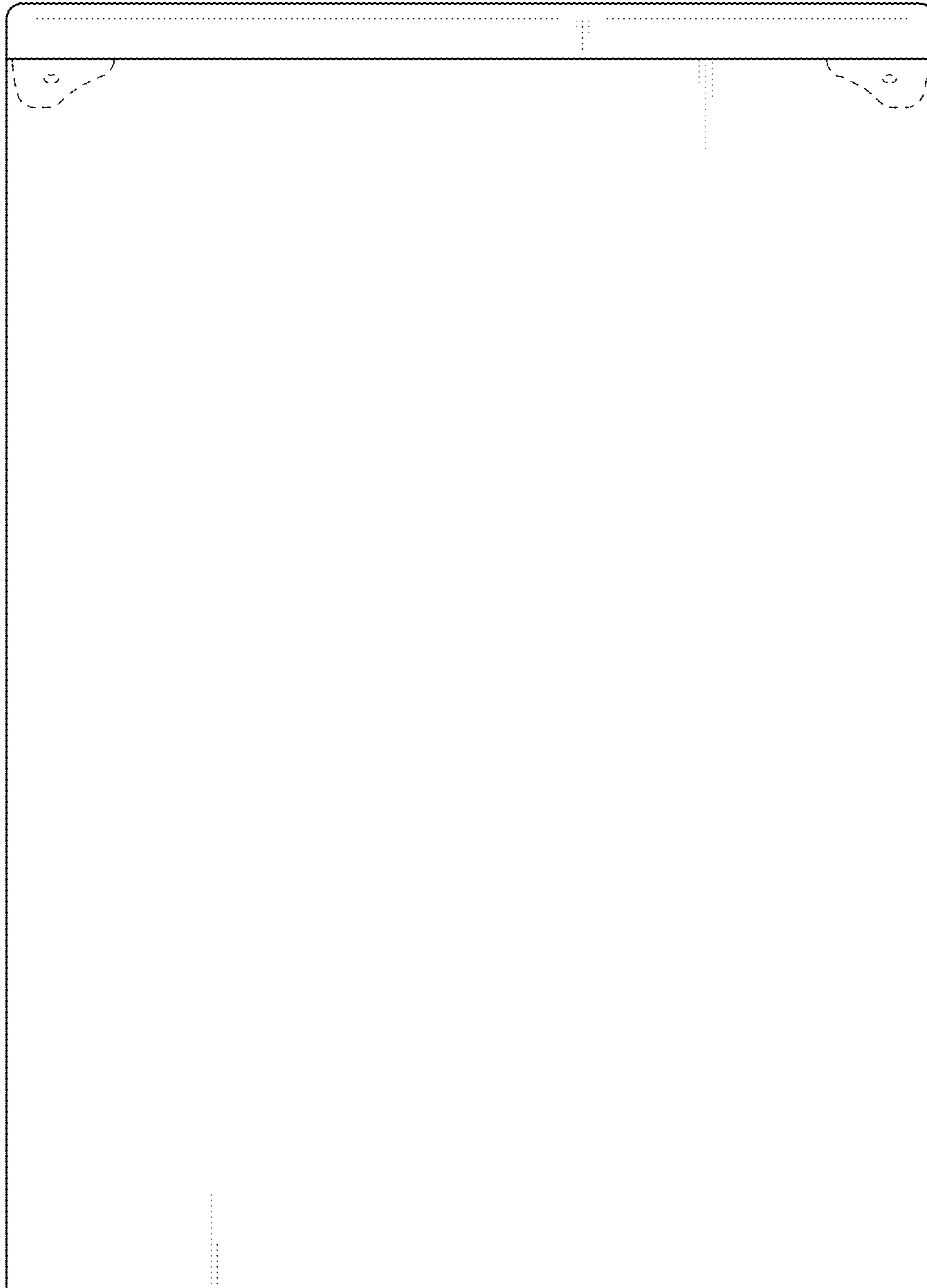


FIG. 4

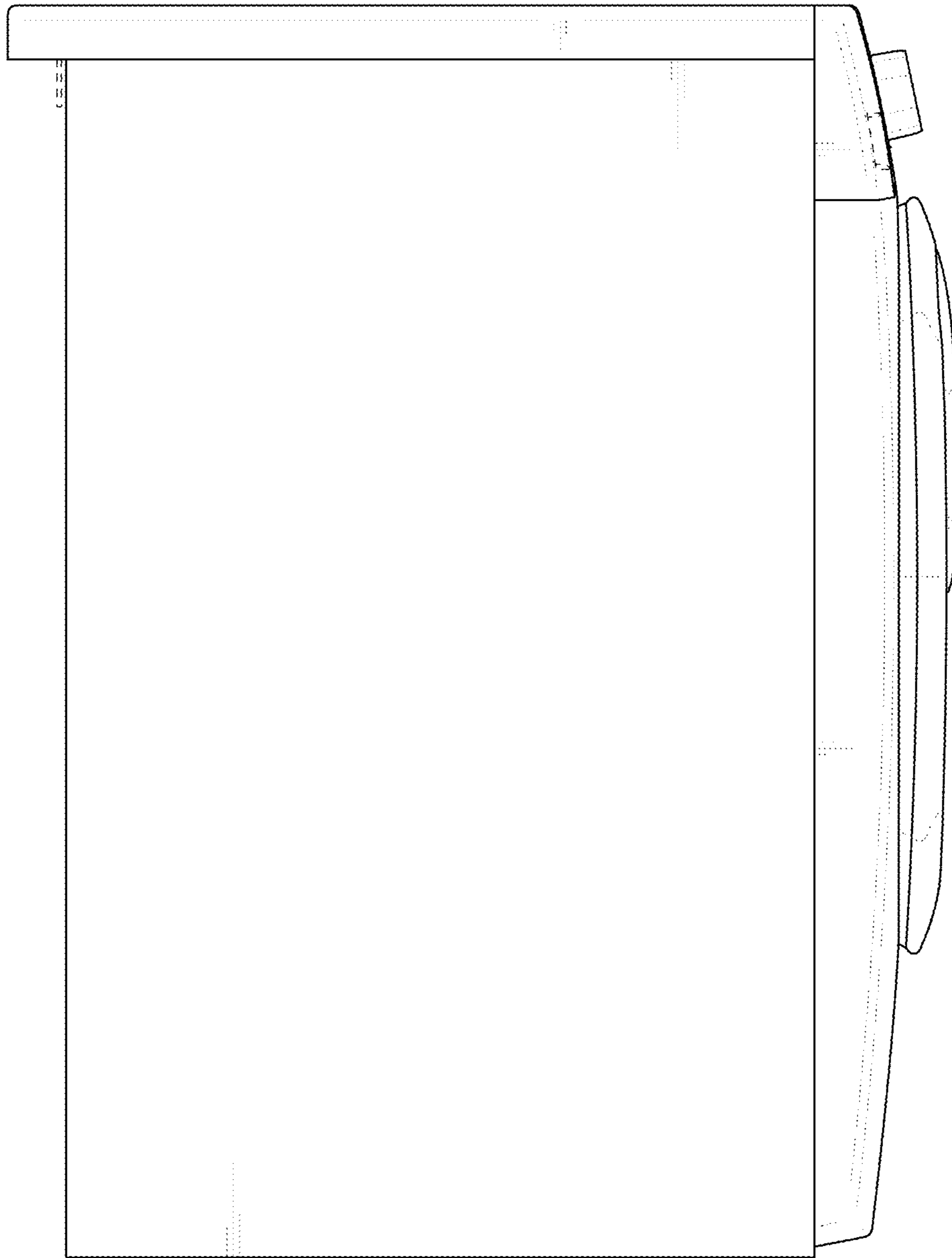


FIG. 5

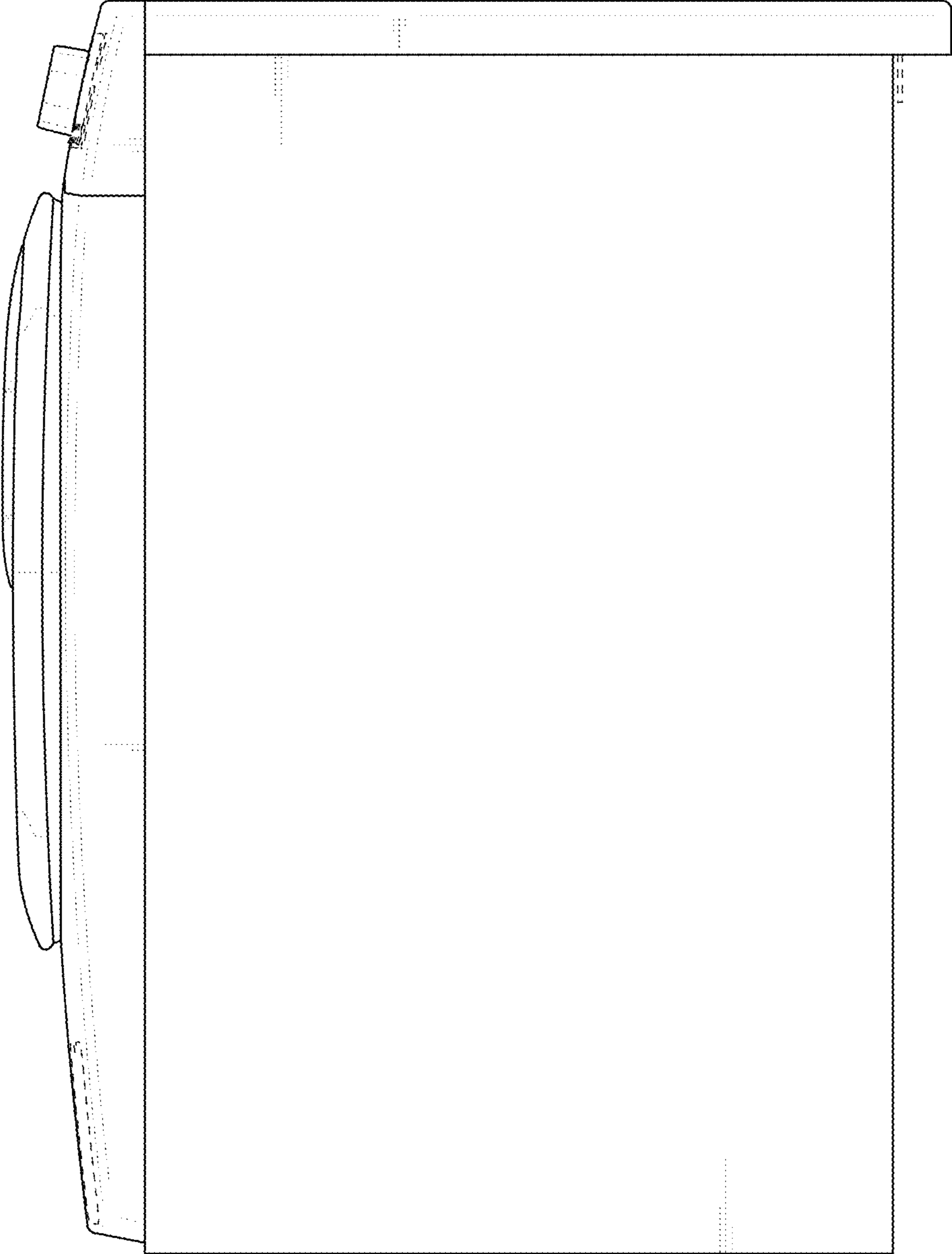


FIG. 6

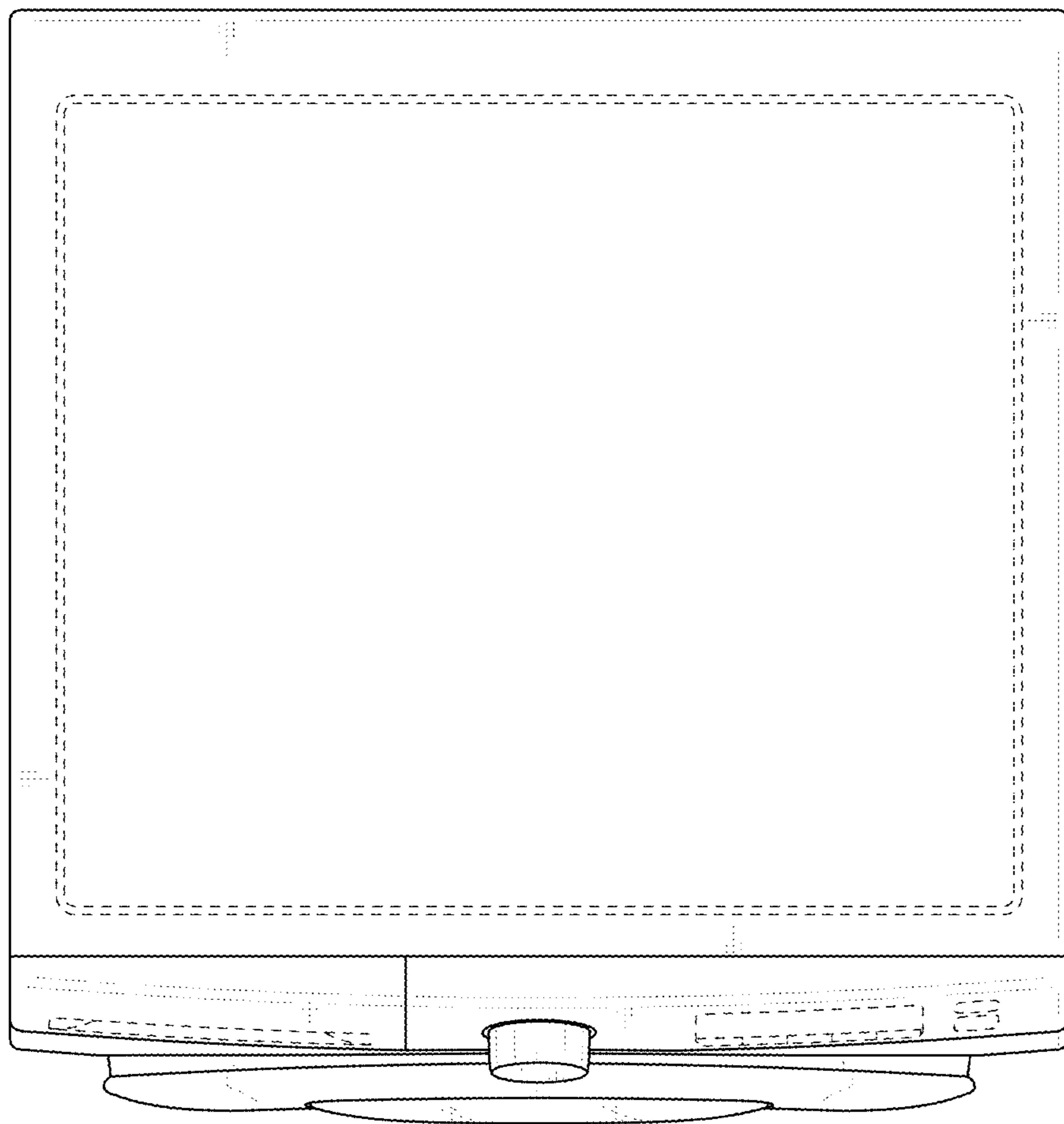


FIG. 7

