

US00D791418S

(12) **United States Design Patent** (10) **Patent No.:** **US D791,418 S**
Warren et al. (45) **Date of Patent:** **** Jul. 4, 2017**

(54) **DISHWASHER DOOR**
(71) Applicant: **Electrolux Home Products, Inc.**,
Charlotte, NC (US)
(72) Inventors: **Robert Warren**, Charlotte, NC (US);
Justin Michal, Charlotte, NC (US)
(73) Assignee: **Electrolux Home Products, Inc.**,
Charlotte, NC (US)
(**) Term: **15 Years**
(21) Appl. No.: **29/536,944**

D544,657 S 6/2007 Jung et al.
D558,409 S 12/2007 Pezzetta et al.
D559,478 S 1/2008 Jung et al.
D560,863 S 1/2008 Baldwin
D568,100 S 5/2008 Jeon
D571,062 S * 6/2008 Suh D32/2
D587,067 S 2/2009 Kim
D608,144 S 1/2010 Wylie
D622,914 S 8/2010 Crookshanks et al.
D630,804 S 1/2011 Ott
D654,311 S 2/2012 Benold
D665,956 S 8/2012 Eng et al.
D668,404 S 10/2012 Eng et al.
D672,101 S 12/2012 Eng et al.
D673,742 S 1/2013 Eng et al.
D675,792 S 2/2013 Eng et al.

(Continued)

(22) Filed: **Aug. 20, 2015**
(51) **LOC (10) Cl.** **15-05**
(52) **U.S. Cl.**
USPC **D32/3**
(58) **Field of Classification Search**
USPC D32/2, 3, 5, 25, 28; D15/91;
D7/405-406
CPC A47L 15/00; A47L 15/0002; A47L 15/50;
A47L 15/0005
See application file for complete search history.

FOREIGN PATENT DOCUMENTS

CA 116636 A 2/1909
CA 116637 A 2/1909

(Continued)

Primary Examiner — Michael A. Pratt
Assistant Examiner — Michelle E Wilson
(74) *Attorney, Agent, or Firm* — Banner & Witcoff, Ltd.

(57) **CLAIM**

The ornamental design for a dishwasher door, as shown and described.

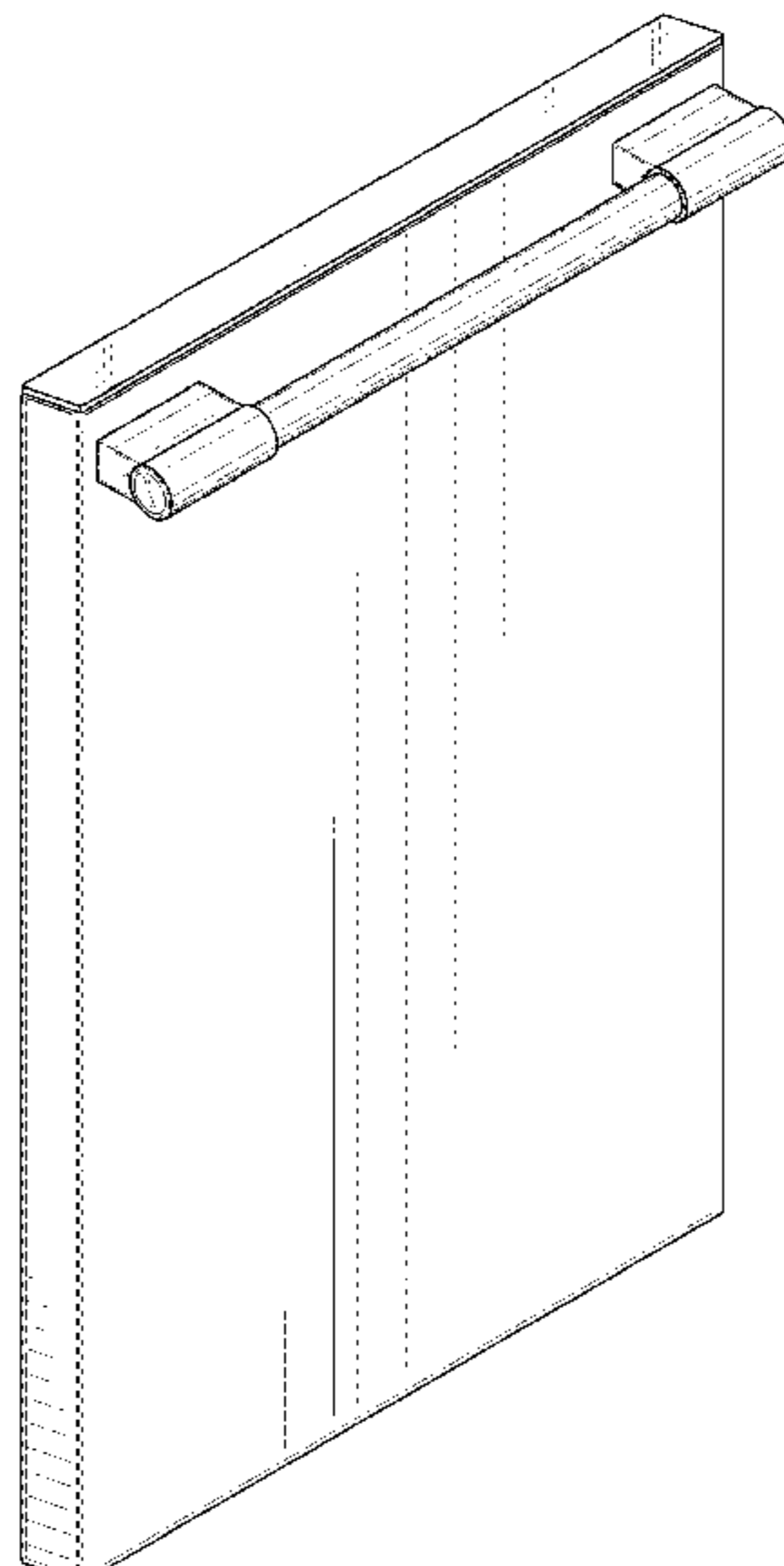
(56) **References Cited**
U.S. PATENT DOCUMENTS

D473,980 S 4/2003 Bowser et al.
D493,016 S * 7/2004 Kaczmarek D32/3
D493,580 S * 7/2004 Ott D32/3
D495,102 S 8/2004 Kaczmarek
D511,403 S * 11/2005 Ott D32/3
D511,870 S 11/2005 Paik
D512,543 S 12/2005 Jeong
D512,544 S 12/2005 Jeong et al.
D513,548 S 1/2006 Jeong
D515,255 S 2/2006 Jeong
D517,252 S * 3/2006 Kirk D32/3
D539,994 S 4/2007 Pezzetta et al.
D543,321 S 5/2007 Jeon et al.

DESCRIPTION

FIG. 1 is a front perspective view of a dishwasher door showing our new design;
FIG. 2 is a front view thereof;
FIG. 3 is right side thereof;
FIG. 4 is a left side view thereof;
FIG. 5 is a top view thereof;
FIG. 6 is a bottom view thereof; and,
FIG. 7 is second perspective view thereof.

1 Claim, 5 Drawing Sheets



(56)

References Cited

FOREIGN PATENT DOCUMENTS

U.S. PATENT DOCUMENTS				CA		
				CA	143325 A	10/1912
				CA	144426 A	12/1912
D677,843 S	3/2013	Eng et al.		CA	144427 A	12/1912
D681,289 S	4/2013	Eng et al.		CA	146255 A	2/1913
D681,290 S	4/2013	Eng et al.		CA	146724 A	3/1913
D684,734 S	6/2013	Eng et al.		CA	146726 A	3/1913
D685,149 S	6/2013	Eng et al.		CA	146727 A	3/1913
8,528,995 B2 *	9/2013	Haltmayer A47L 15/4263	CA	147475 A	4/1913
			312/228	CA	147476 A	4/1913
D692,628 S	10/2013	Eng et al.		CA	147506 A	4/1913
D692,629 S	10/2013	Eng et al.		CA	147508 A	4/1913
D693,070 S	11/2013	Eng et al.		CA	147509 A	4/1913
D696,475 S	12/2013	Eng et al.		CA	147513 A	4/1913
D698,506 S	1/2014	Eng et al.		CA	147515 A	4/1913
D698,507 S	1/2014	Eng et al.		CA	147516 A	4/1913
D701,359 S	3/2014	Eng et al.		CA	147764 A	5/1913
D702,897 S	4/2014	Eng et al.		CA	147766 A	5/1913
D704,397 S	5/2014	Eng et al.		CA	149010 A	7/1913
D706,502 S	6/2014	Eng et al.		CA	149011 A	7/1913
D706,997 S	6/2014	Eng et al.		CA	149013 A	7/1913
D720,100 S *	12/2014	Roberson D32/3	CA	154378 A	3/1914
D730,593 S *	5/2015	Eng D32/3	CA	154383 A	3/1914
D746,003 S *	12/2015	Shin D32/2	CA	154386 A	3/1914
D748,875 S *	2/2016	Roberson D26/42	CA	155273 A	4/1914
D762,334 S *	7/2016	Kim D32/3	CA	155275 A	4/1914

* cited by examiner

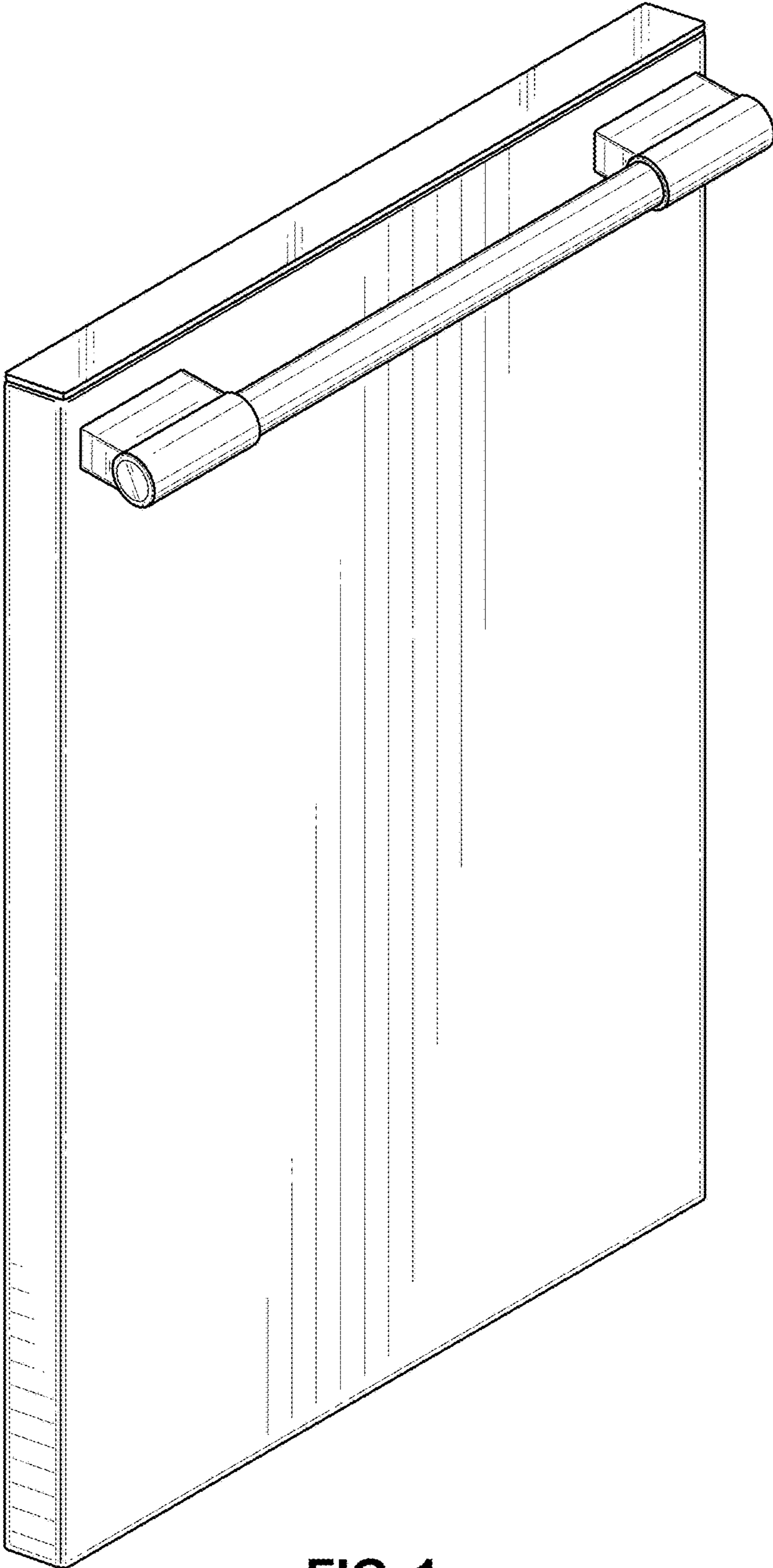


FIG. 1

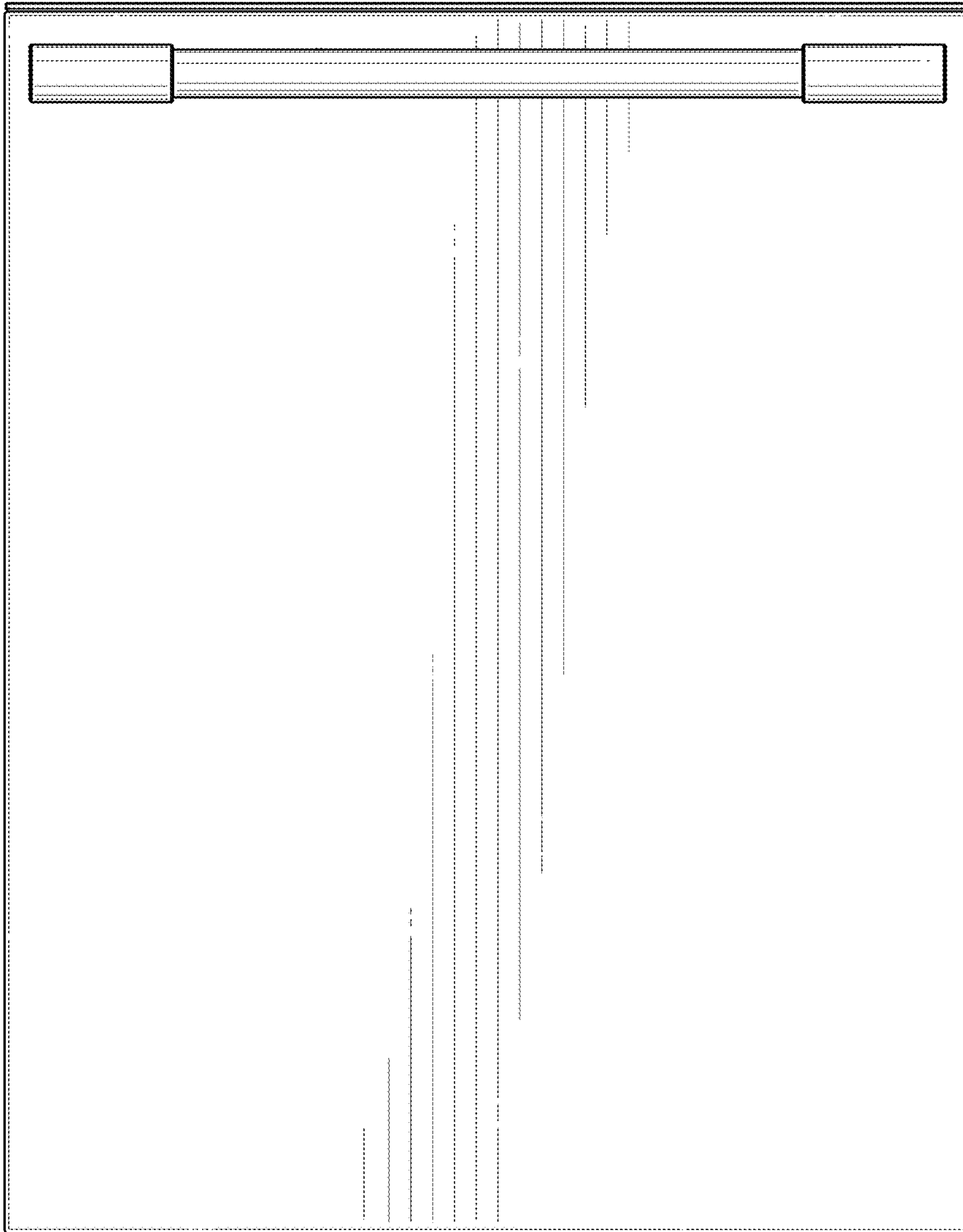


FIG. 2

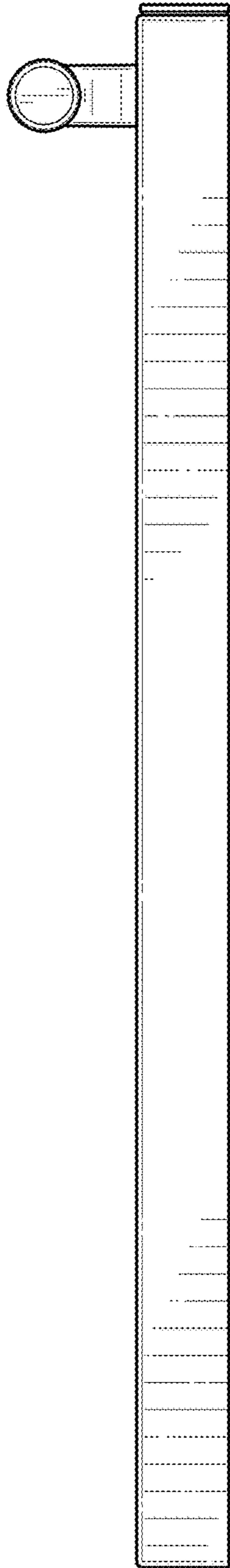


FIG. 3

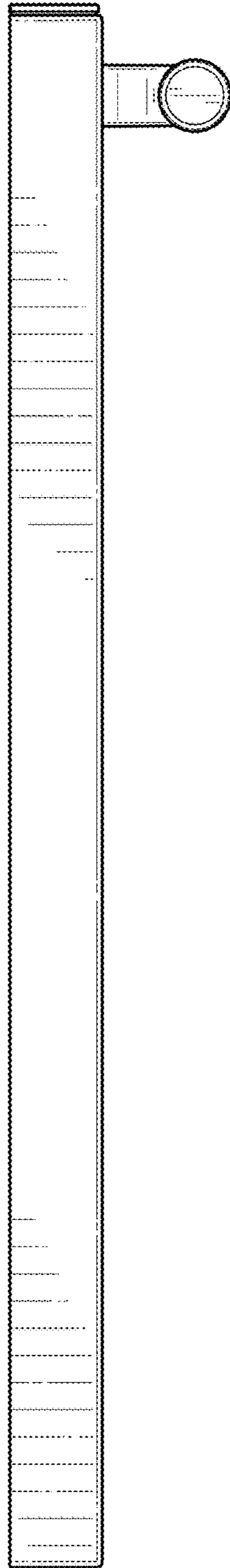


FIG. 4

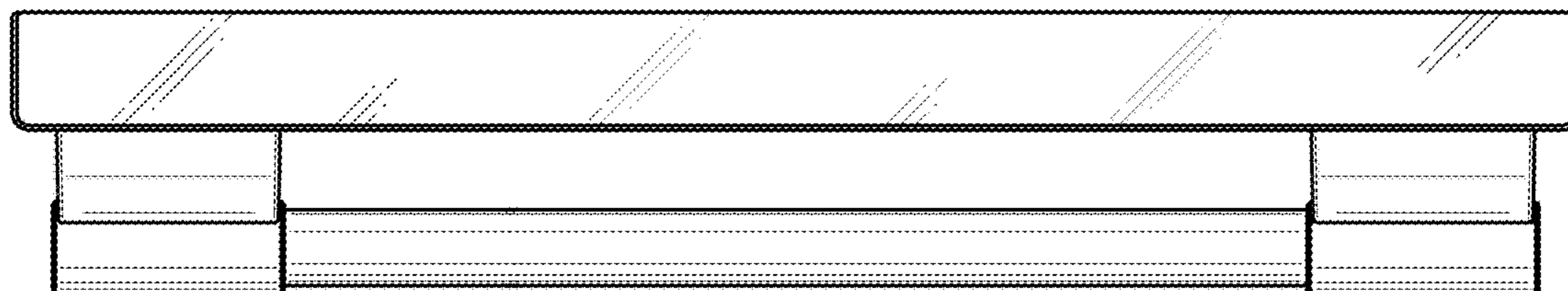


FIG. 5

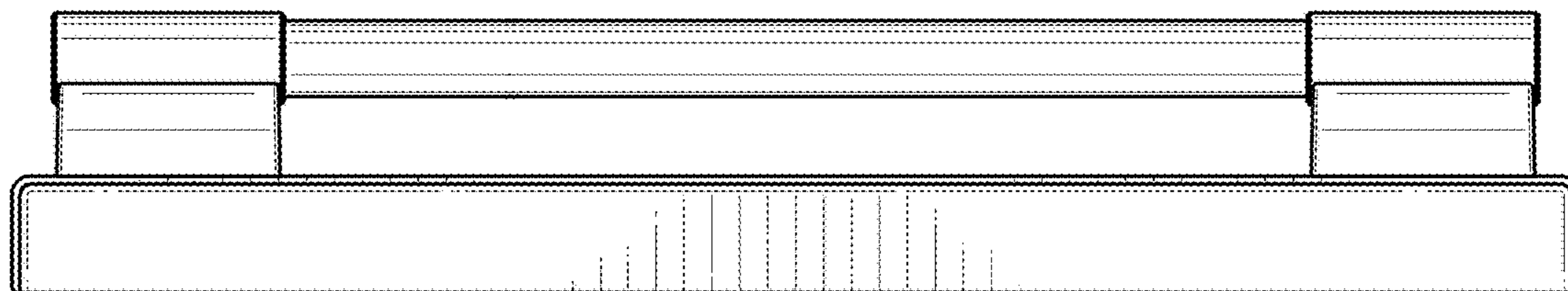


FIG. 6

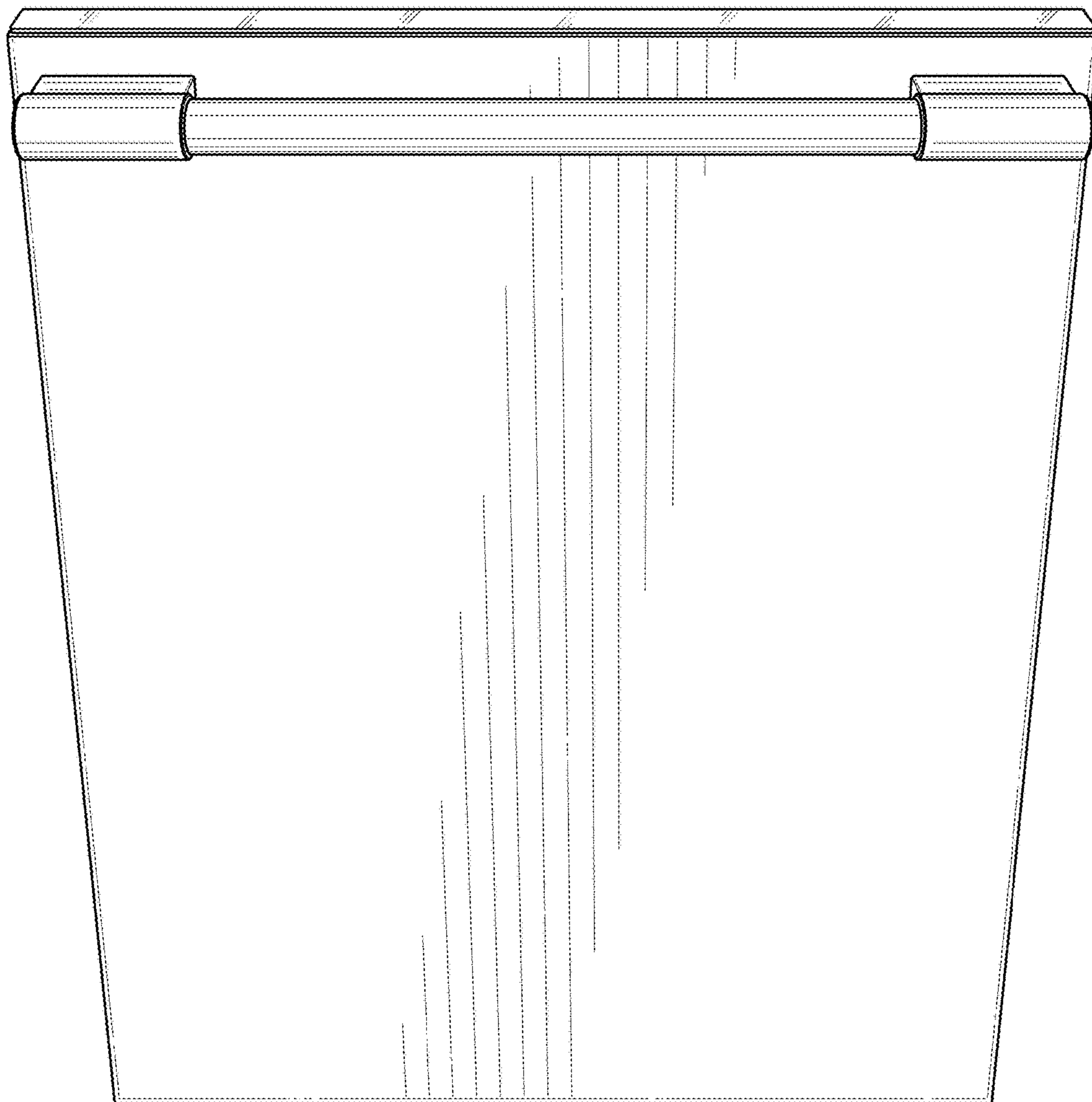


FIG. 7